



- Specifications of Product:
- \* Heated banquet with single inox door
  - \* The convection-heated banquet trolleys can be used dry or with moist air, depending on what is best for your food.
  - \* Digital control with cabinet temperature display and setting. Fully compliant HACCP digital controls include visible alarms.
  - \* Large storage area suitable to contain 2/1 GN containers or shelves on anti-tilt pressed runners.
  - \* Optimized bottom to up forced air flow provide even temperature distribution and fast heating in any conditions.
  - \* Cabinet fitted with up to 70 mm thickness of polyurethane insulation for best insulating performance with 100% environmental protection.
  - \* Removable triple-chamber balloon magnetic gasket to improve insulation and reduce energy consumption.
  - \* Spacers on the sides-end ensure that the convection air in the interior of the banquet trolley can circulate all around, achieving temperature distribution which is as even as possible.
  - \* The slide-in convection-heated module can be removed particularly easily.
  - \* The water tank for the moist-air heating can also be removed conveniently.
  - \* Manual water refilling.

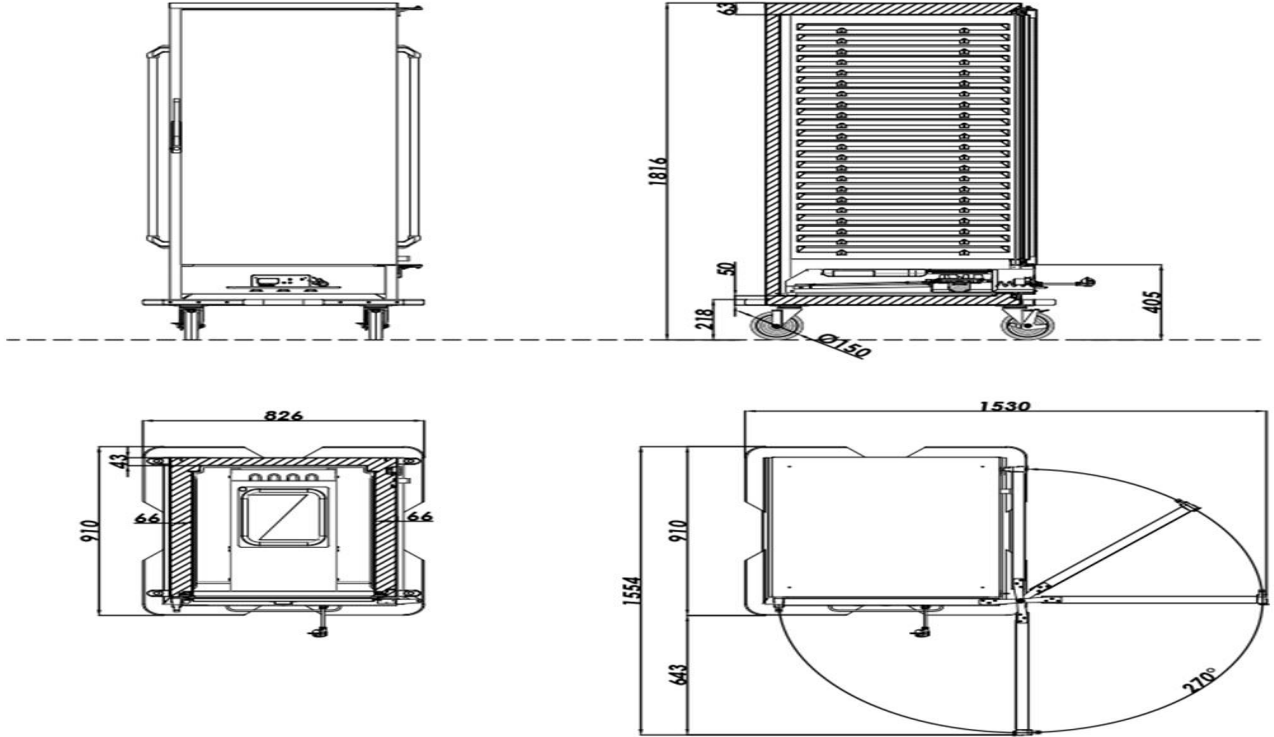
Optional Accessory .....: \* Stainless steel shelf

#### Product Dimensions

Length of Product (mm).....:	826
Width of Product (mm).....:	910
Height of Product (mm) H.....:	1816
Net Weight (Kg).....:	114
Gross Weight (Kg).....:	129
Volume of Product (m3).....:	1,3650
Capacity.....:	GN2/1 x 11 Ad.

#### Package Dimensions

Leght of Package (mm).....:	876
Width of Package (mm).....:	960
Height of Package (mm).....:	1.866
Volume of Package (m3).....:	1,5692
Product Number in Package.....:	1



### Electrical Specifications

Electrical Power (kW) .....: 2 kW  
 Volt (Monophase/Triphase) .....: 220-240 V  
 Electrical Frequency (Hz).....: 50 Hz

### Gas Specifications

### Gas Type

### Other Technical Specifications

Cooling Gas .....

Max Noise (dBA) .....: 60  
 Protection Class.....: IPX5