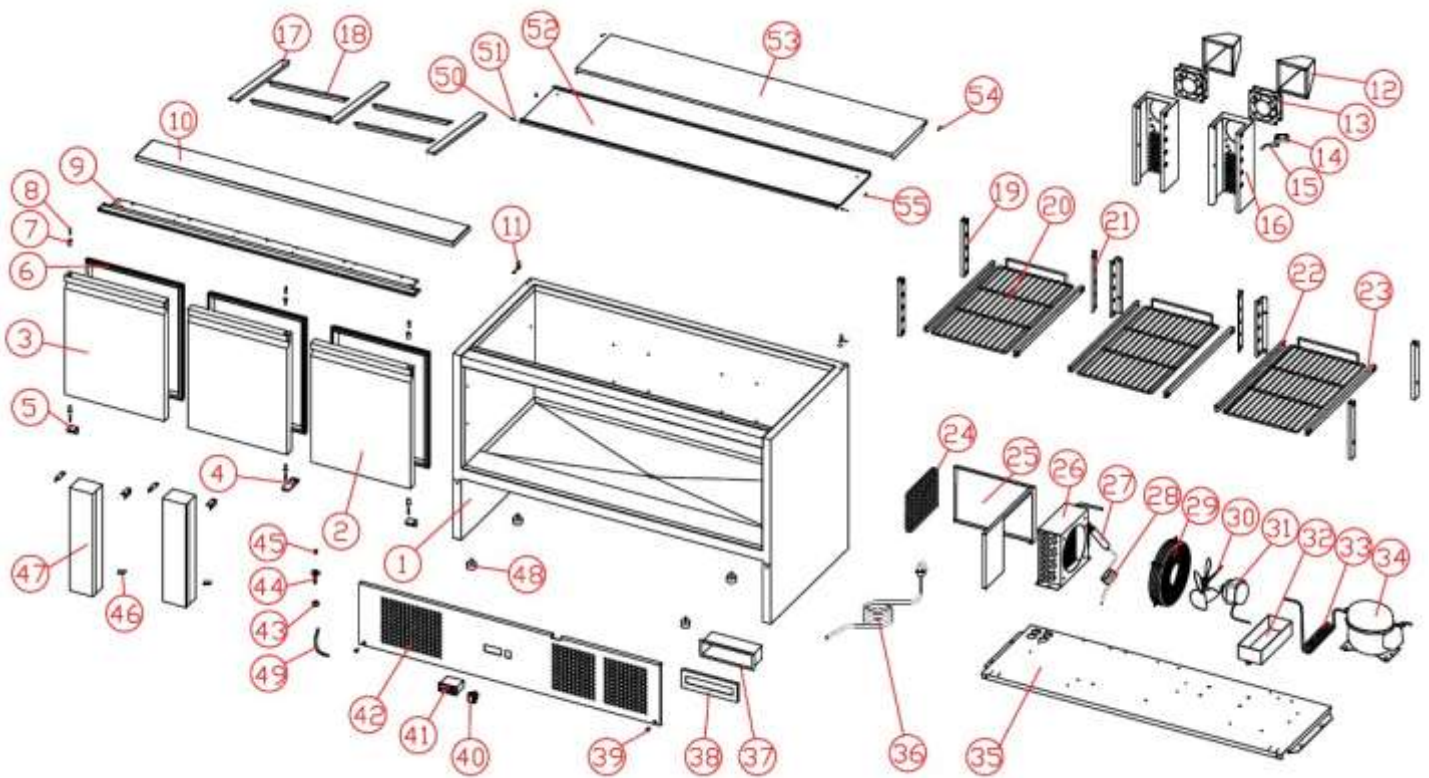


СТОЛ ДЛЯ САЛАТОВ TATRA TSLGNL3 NC



СТОЛ ДЛЯ САЛАТОВ TATRA TSLGNL3 NC

1	CABINET	GXE-0-000-0021-0	1
2	DOOR(RIGHT)	GXE-0-000-0095-0	2
3	DOOR(LEFT)	GXE-0-000-0080-0	1
4	BOTTOM MIDDLE HINGE	GXE-2-001-0103-0	1
5	BOTTOM HINGE	GXE-2-001-0090-0	2
6	DOOR GASKET	16401390494	3
7	DOOR AXIS SLEEVE	16353010008	6
8	HINGE AXIS	12515035728	6
9	UPPER HINGE	GXE-2-001-0104-0	1
10	CUTTING BOARD	16319200904	1
11	HINGE AXIS BASE	GXE-2-001-0283-0	2
12	AIR GUIDE COVER	16356010001	2
13	EVA. FAN	17701151238	2
14	PROBE COVER	GXE-2-001-0286-0	1
15	PROBE	17649490013	1
16	FAN BASE	GXE-2-001-0079-0	2
17	LONG CACHEPOT	GXE-2-001-0284-0	3
18	MIDIUM CACHEPOT	GXE-2-001-0086-0	4
19	BEAM HANG STRIP	GXE-2-001-0080-0	4
20	SHELF	12502012743	3
21	REAR HANG STRIP	GXE-2-001-0081-0	4
22	LEFT SHELF GUIDE	GXE-2-001-0077-0	3
23	RIGHT SHELF GUIDE	GXE-2-001-0078-0	3
24	DRYER FILTER	16324020001	1
25	WIND COVER	GXE-2-001-0099-0	1
26	CONDENSER	17303090210	1
27	DRYER FILTER	17111250145	1
28	CAPILLARY	15804042410	1
29	COND.FAN COVER	22726010002	1
30	COND. FAN BLADE	16381738082	1
31	COND. FAN MOTOR	22752520010	1
32	OUTER DRAIN PAN	16316130004	1
33	HIGH PRESSURE PIPE	17116060006	1
34	COMPRESSOR	17209010031	1
35	COOLING UNIT BOARD	GXE-2-001-0100-0	1
36	POWER CORD	17664640059	1
37	PLASTIC WATER-PROOF BOX	16316130001	1
38	PLASTIC WATER-PROOF BOX COVER	16316130002	1
39	LARGE PLASTIC BUTTON	16369390066	2
40	POWER SWITCH	17749210020	1
41	CONTROLLER	17709030002	1
42	PANEL	GXE-2-001-0102-0	1
43	DRAIN-PIPE BUT	16365050901	1
44	DRAIN-PIPE	15810020901	1
45	WATER PLUG	16369140901	1
46	MIDDLE BEAM CONNECT	GXE-2-001-0017-0	6
47	MIDDLE BEAM	GXE-0-000-0096-0	2
48	FEET	12534010009	4
49	PVC DRAIN-PIPE	GXE-2-005-0005-0	1
50	ROLLER DRAFT	12515120902	2
51	ROLLER	16323230002	2
52	FLEXIBLE COVER	GXE-2-001-0106-0	1
53	FIXED COVER	GXE-2-001-0105-0	1
54	COVER AXIS	12515010003	4
55	SMALL PLASTIC BUTTON	16369390065	2