

# LIST OF THE EXPLODED VIEWS

---



*SHELL ASSY*

*COOLING SYSTEM*

*EVAPORATOR*

*HYDRAULIC CIRCUIT*

*ELECTRIC PARTS*

# SHELL ASSY

## Common Parts

| Ref. | Spare Description | Code   |
|------|-------------------|--------|
| 1    | Top               | 221518 |
| 2    | Back Panel        | 221514 |
| 3    | Back Grill        | D12091 |
| 4    | Right Side Panel  | 221516 |
| 5    | Right Side Grill  | D12092 |
| 6    | Front Panel       | 221512 |

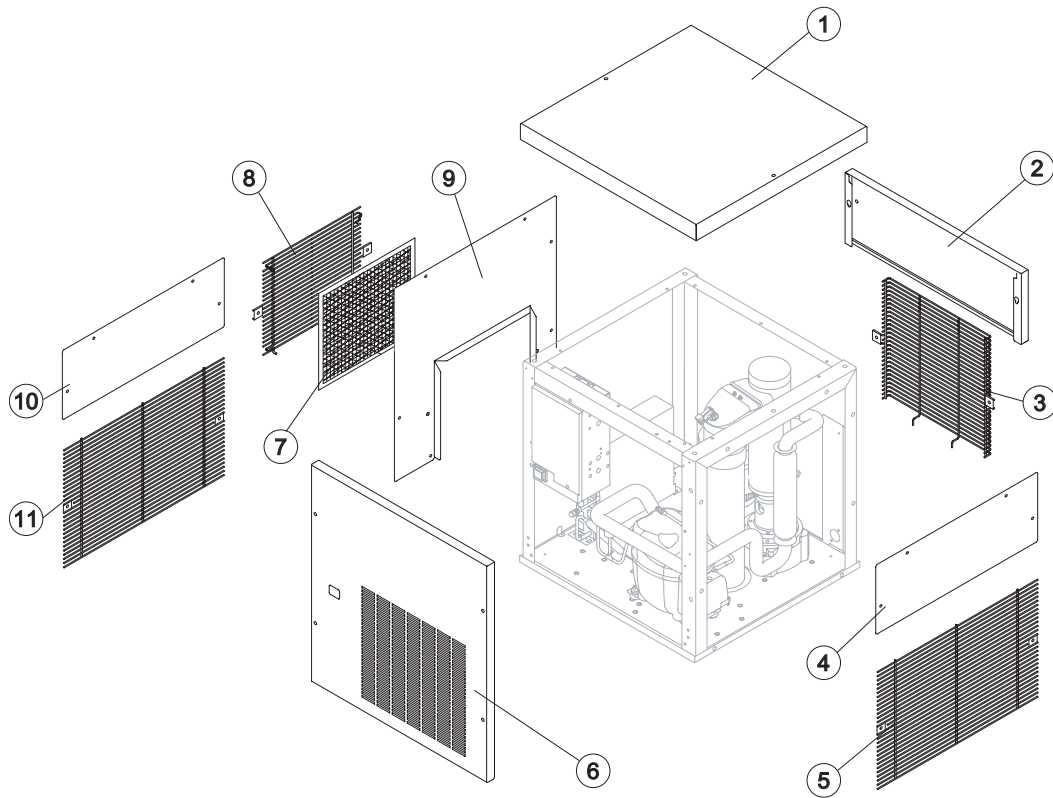
## Parts for Air-Cooled Version Only

| Ref. | Spare Description | Code   |
|------|-------------------|--------|
| 7*   | Filter            | 18247  |
| 8    | Left Side Grill   | D12094 |
| 9    | Left Side Panel   | 221520 |

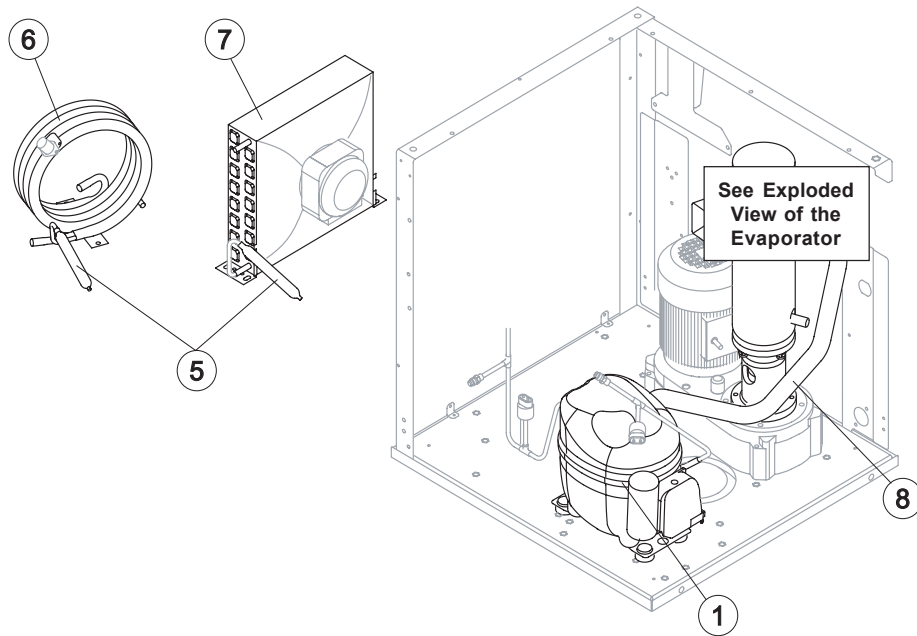
## Parts for Water-Cooled Version Only

| Ref. | Spare Description | Code   |
|------|-------------------|--------|
| 10   | Left Side Panel   | 221516 |
| 11   | Left Side Grill   | D12092 |

Rev. 03 - 12/03/2019



# COOLING SYSTEM



## Common Parts

| Ref. | Spare Description | Code                                      |
|------|-------------------|---|
| 1    | Compressor        | See Table                                 |
| 5*   | Molecular Drier   | 14009                                     |
| 8    | Suction Line      | for the spare parts code give us the s/n. |

## Parts for Air-Cooled Version Only

| Ref. | Spare Description | Code  |
|------|-------------------|-------|
| 7    | Air Condenser     | 20558 |

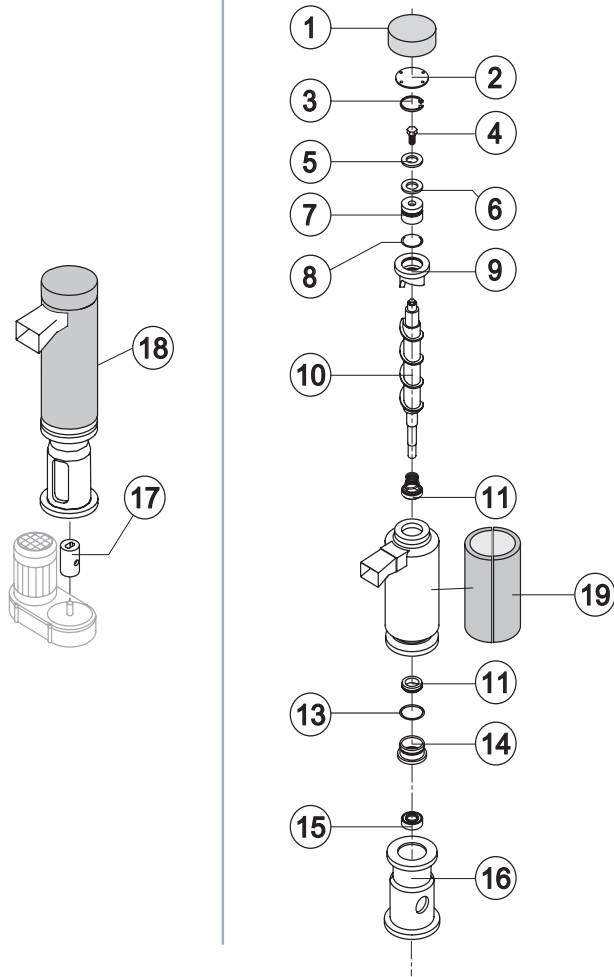
## Parts for Water-Cooled Version Only

| Ref. | Spare Description | Code  |
|------|-------------------|-------|
| 6    | Water Condenser   | 14014 |

## Rif. 1 - Compressor

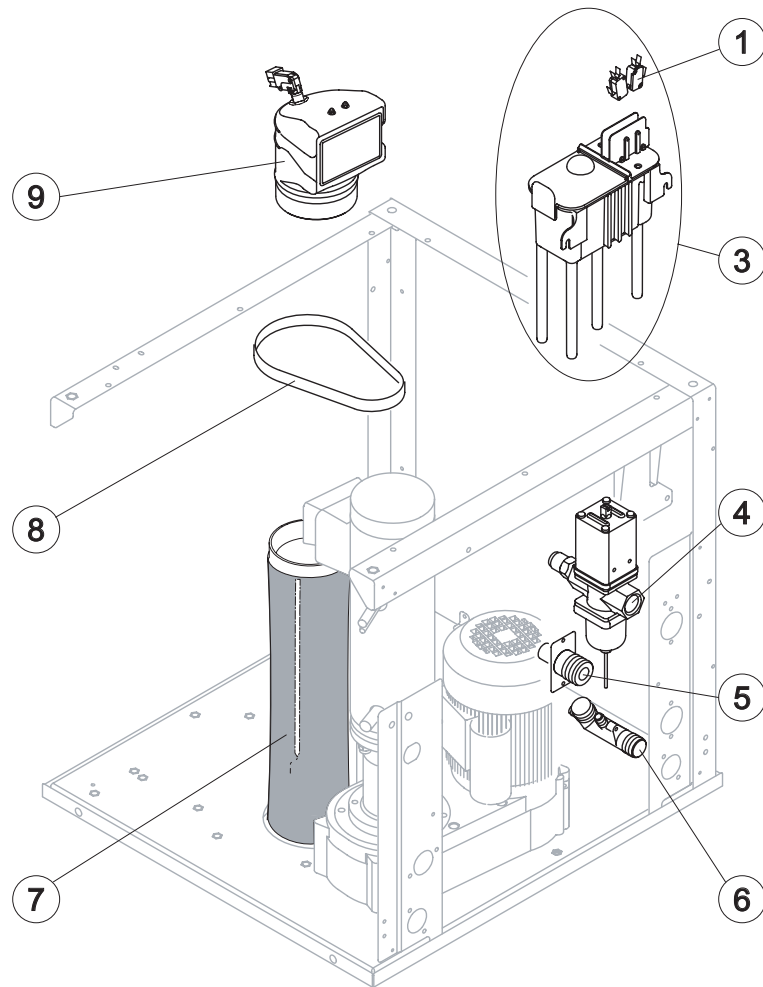
| Voltage        | Code   |
|----------------|--------|
| 220/240V 50 Hz | 23832  |
| 220/230V 60 Hz | 231308 |

# EVAPORATOR



| Ref. | Spare Description              | Code   |
|------|--------------------------------|--------|
| 1    | Insulating Cap                 | 18170  |
| 2    | Closing Disk                   | 22825  |
| 3    | Seeger                         | 20043  |
| 4    | Stainless Steel Screw          | 20663  |
| 5    | Shimming Disk                  | 22826  |
| 6    | Self-Lubricating Disk          | 20631  |
| 7    | Stainless Steel Thrust Bearing | 20686  |
| 8    | OR Gasket 3087                 | 20688  |
| 9    | Ice Breaker                    | 201236 |
| 10   | Auger                          | 20783  |
| 11   | Ceramic Seal                   | 20937  |
| 13   | OR Gasket 3162 NBR70           | 20429  |
| 14   | Reduction Ring                 | 20785  |
| 15   | Stainless Steel Bearing        | 20782  |
| 16   | Flange                         | 20629  |
| 17   | Joint                          | D20784 |
| 18   | Evaporator Assy                | C11152 |
| 19   | Insulating Cap                 | 18281  |

# HYDRAULIC CIRCUIT



## Common Parts

| Ref. | Spare Description                    | Code   |
|------|--------------------------------------|--------|
| 1    | Microswitch                          | 23055  |
| 3*   | Double Switch Basin Assembly         | C10684 |
| 5    | Discharges Manifold                  | 10579  |
| 7    | Ice Outlet Pipe with Bin Bulb Holder | C10655 |
| 8    | Locking Exhaust Strip                | 25049  |
| 9*   | Ice Exhaust with micro Assy          | C10585 |

## Parts for Water-Cooled Version Only

| Ref. | Spare Description               | Code   |
|------|---------------------------------|--------|
| 4    | Water regulating valve assembly | R20210 |
| 5    | Drain manifold                  | 20984  |

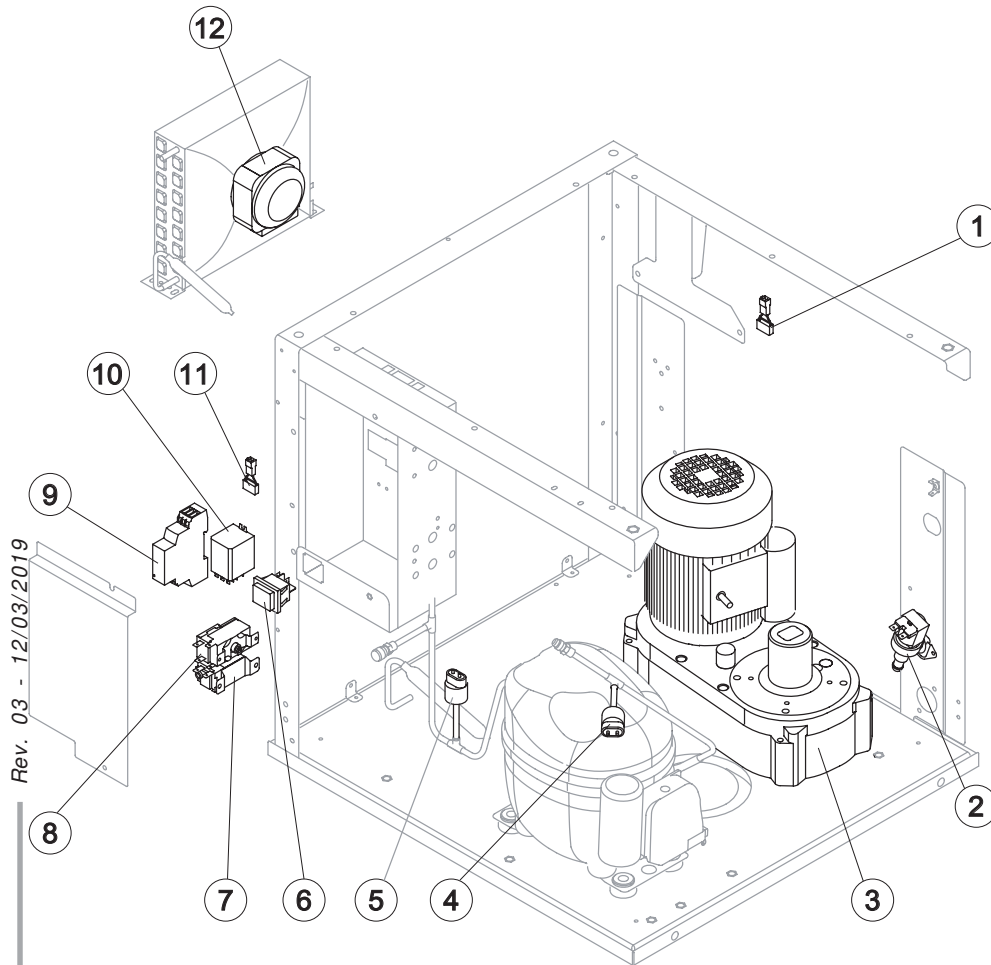
# ELECTRIC PARTS

## Common Parts

| Ref. | Spare Description                      | Code    |
|------|--|---------|
| 1    | Anti Radio Interference Filter<br>50Hz | C23457  |
| 2*   | 1 Way- Water Inlet Valve               | 23115   |
| 3    | Gearmotor                              | 231030  |
| 4    | Evaporator pressure switch             | 23909   |
| 5    | HP Safety pressure switch              | 23960   |
| 6*   | Green Light Switch (On-Off)            | 23327   |
| 8*   | Bin Thermostat                         | R231035 |
| 9*   | Electronic Timer                       | 231033  |
| 10*  | Relay                                  | 23190   |

## Parts for Air-Cooled Version Only

| Ref. | Spare Description                      | Code   |
|------|--|--------|
| 7*   | Condenser Pressure Switch              | 23175  |
| 11   | Anti Radio Interference Filter<br>50Hz | C23459 |
| 12*  | Fan Motor with Conveyor                | 231006 |



Rev. 03 - 12/03/2019