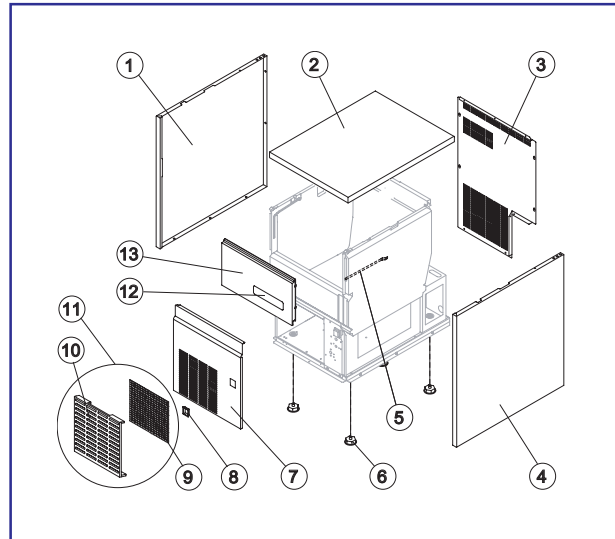
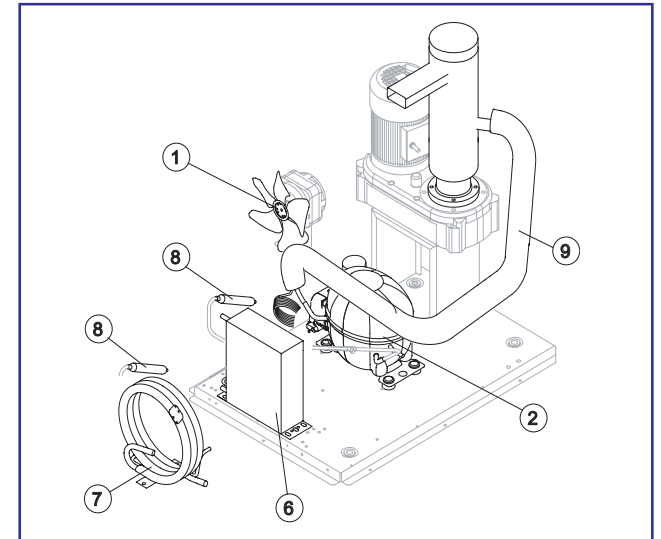


# LIST OF THE EXPLODED VIEWS

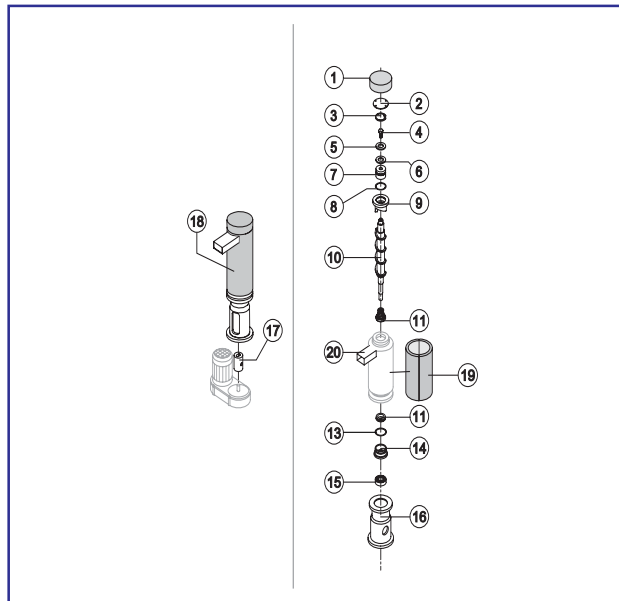
**SHELL ASSY**



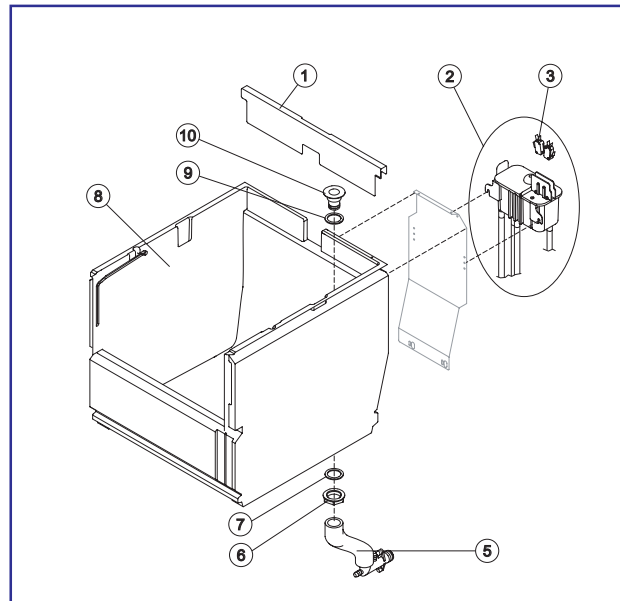
**COOLING SYSTEM**



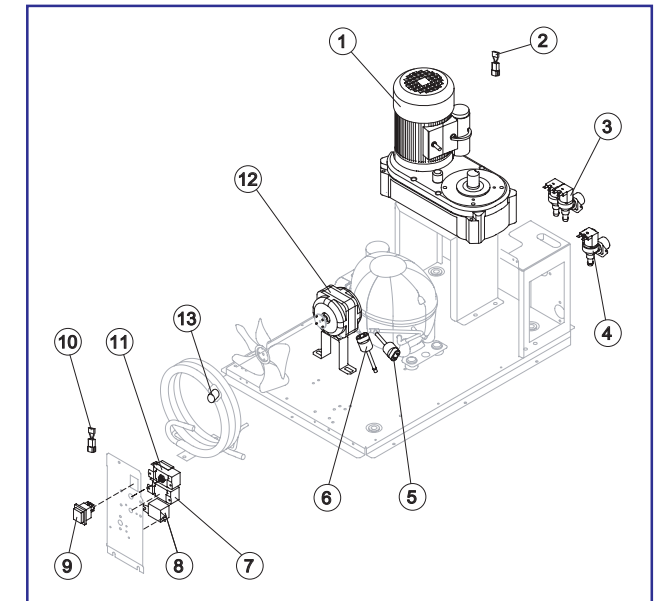
**EVAPORATOR**

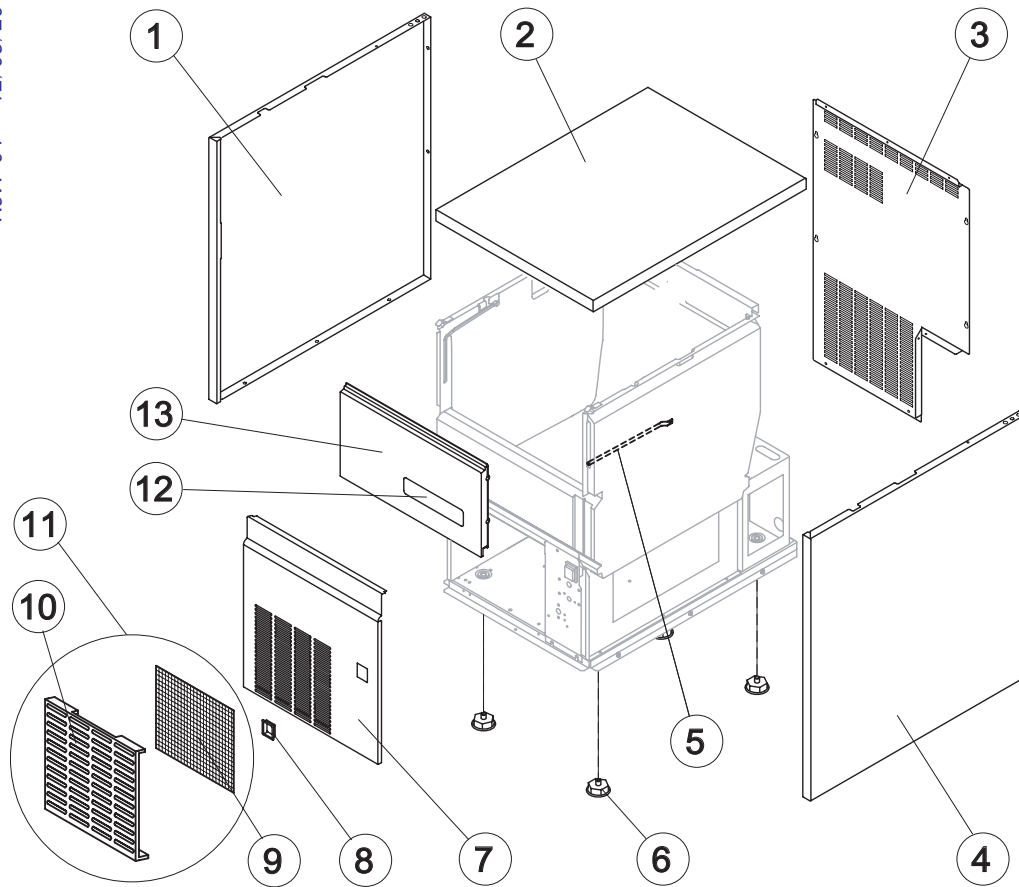


**HYDRAULIC CIRCUIT**



**ELECTRIC PARTS**

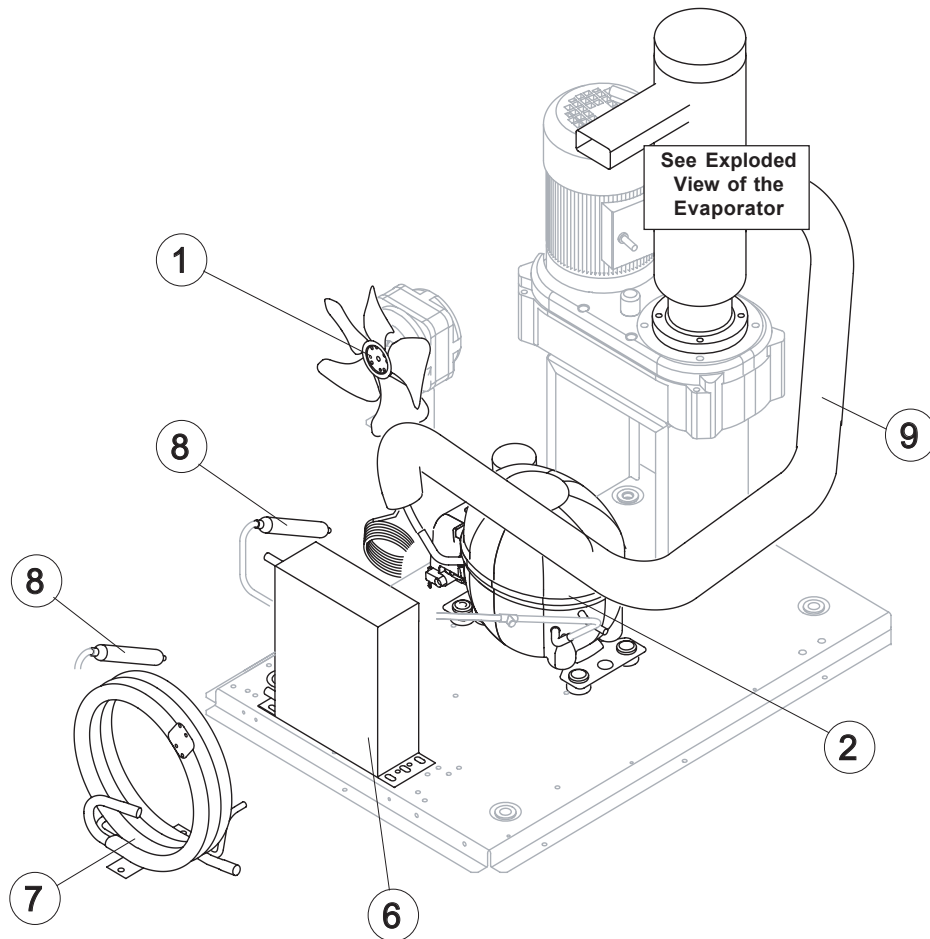




# SHELL ASSY

Rif.	Descrizione Ricambio	Codice
1	Left Side Panel	C221525
2	Top Assembly	C221532
3	Rear Panel	21422
4	Right Side Panel	C221524
5	Bulbe-holder Pipe	20521
6	Foot	10557
7	Front Grid Panel	C221533
8	On-Off switch Frame	10696
9*	Filter	18243
10	Grid	10697
11	Grid Assembly	C10697
12	Resinated Logo	241330
13	Door Assy	C10718

# COOLING SYSTEM



## Common Parts

Ref.	Spare Description	Code
2	Compressor	231003
8*	Molecular Drier	14009
9	Suctin Line	for the spare parts code give us the s/n.

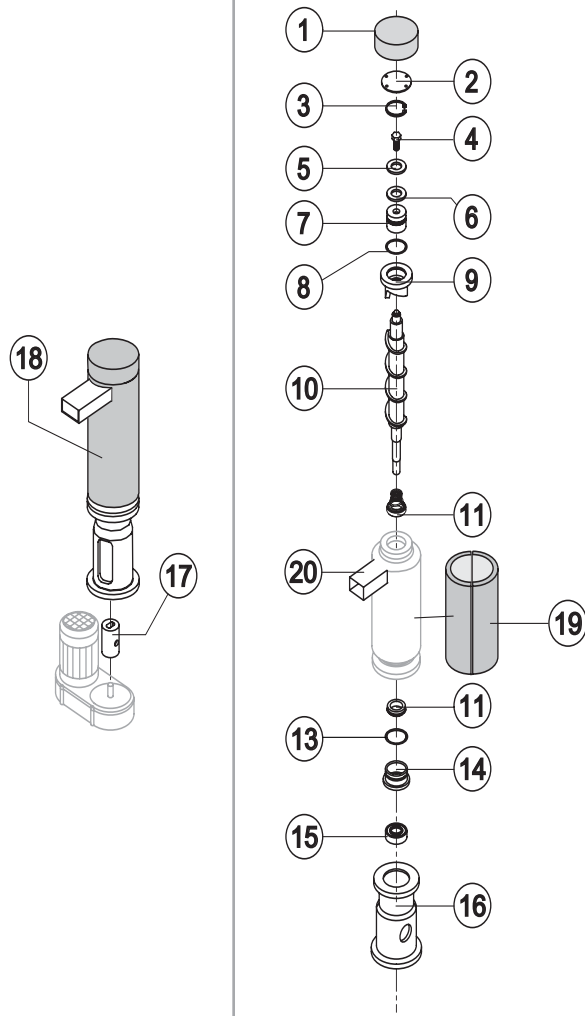
## Parts for Air-Cooled Version Only

Ref.	Spare Description	Code
1	Sucking Fan	20096
6	Air Condenser	20534

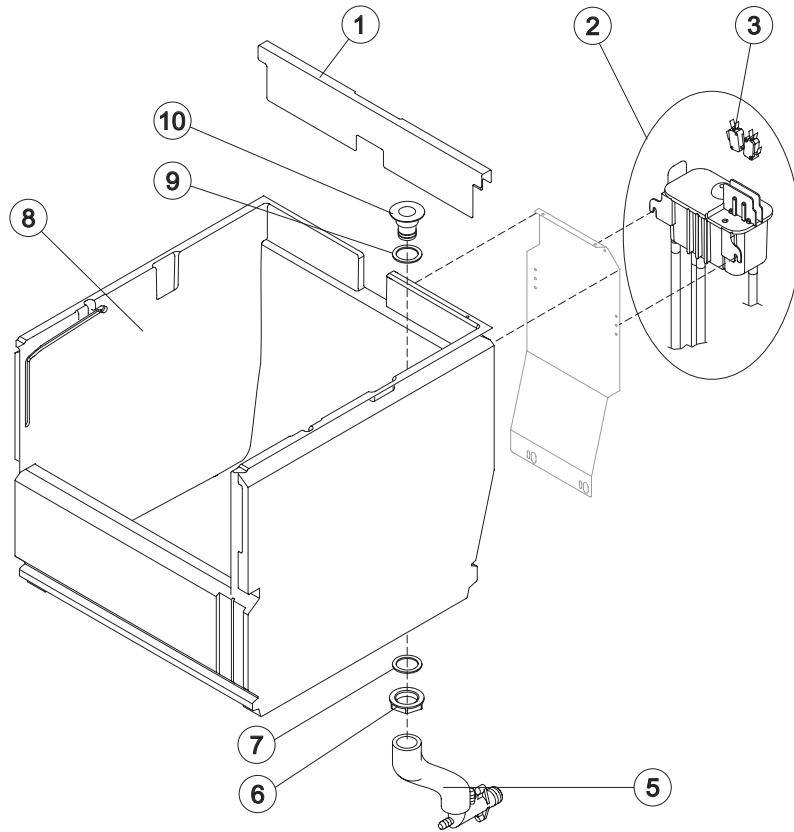
## Parts for Water-Cooled Version Only

Ref.	Spare Description	Code
1	Sucking Fan	10213
7	Water Condenser	14057

# EVAPORATOR



Ref.	Spare Description	Code
1	Insulating Cap	18170
2	Closing Disk	22825
3	Seeger	20043
4	Stainless Steel Screw	20663
5	Shimming Disk	22826
6	Self-Lubricating Disk	20631
7	Stainless Steel Thrust Bearing	20686
8	OR Gasket 3087	20688
9	Ice Breaker	201236
10	Auger	201093
11	Ceramic Seal	20937
13	OR Gasket 3162 NBR70	20429
14	Reduction Ring	20785
15	Stainless Steel Bearing	20782
16	Flange	20629
17	Joint	D20784
18	Evaporator Assy	C11196
19	Insulating Cap	18245
20	ABS Ice exhaust assembly	From s/n. 830635 C10781



# HYDRAULIC CIRCUIT

## Common Parts

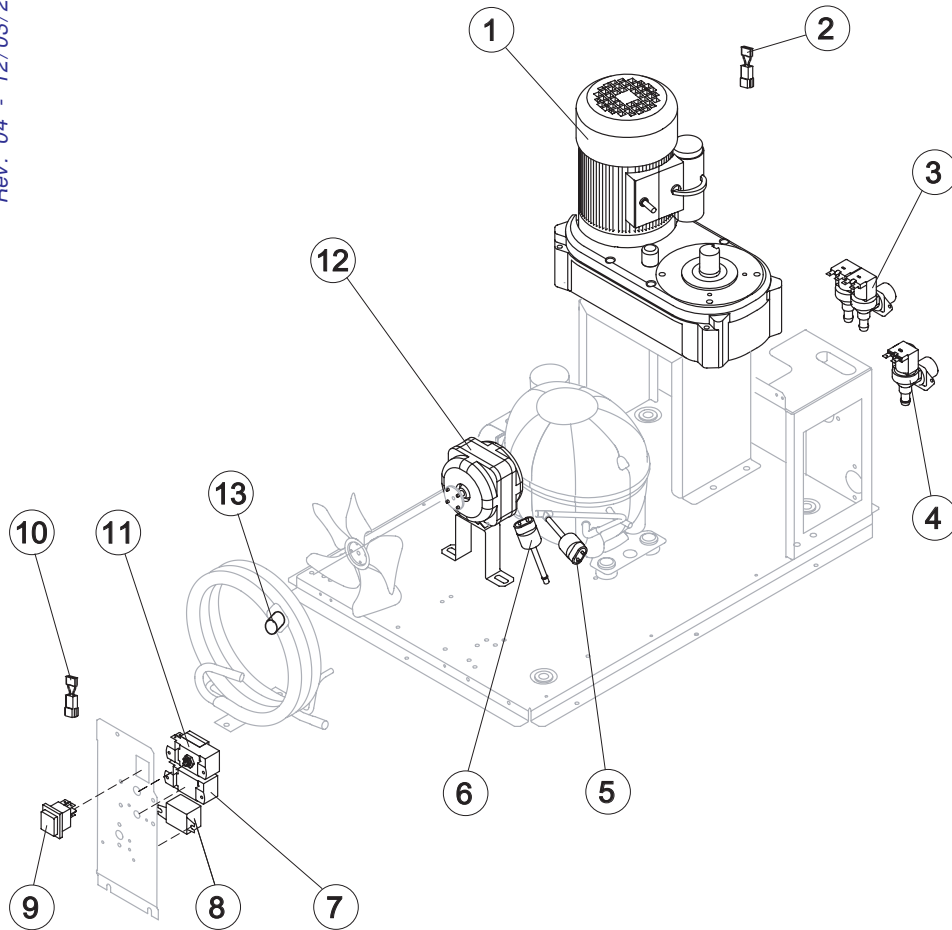
Ref.	Spare Description	Code
1	Cover for Ice Exhaust	221528
2*	Double Switch Basin Assembly	C10719
3	Microswitch	23055
6	Bin Discharge Nut	10096
7	Semirigid Polyethylene Gasket	13007
8	Foamed Cabinet Assy	C11200
9	Silicone Gasket	13219
10	Water Outlet Nipple	10007

## Parts for Air-Cooled Version Only

Ref.	Spare Description	Code
5	Discharges Manifold	C10728

## Parts for Water-Cooled Version Only

Ref.	Spare Description	Code
5	Discharges Manifold	C10729



# ELECTRIC PARTS

## Common Parts

Ref.	Spare Description	Code
1	Gearmotor	231030
2	Anti Radio Interference Filter	C23457
5	Low pressure safety switch	23909
7*	Pressostato Condensatore	23175
8*	Relay	23190
9*	Green Light Switch (On-Off)	23327
10	Anti Radio Interference Filter	C23459
11*	Bin Thermostat	R23005

## Parts for Air-Cooled Version Only

Ref.	Spare Description	Code
4*	1 Way- Water Inlet Valve	23115
6	High pressure safety switch	23960
12*	Fan Motor	231041

## Parts for Water-Cooled Version Only

Ref.	Spare Description	Code
3*	2 Ways- Water Inlet Valve	23116
6	High pressure safety switch	Till s/n. 822922 23960
12*	Fan Motor	23029
13*	Safety Thermostat	From s/n. 822923 C23114