

Apach COOK *line*

Catalogo parti di ricambio valido
dalla matricola 0000001 (31.10.2006) ad oggi (16.02.2023)

Catalogue pieces detachees
valable à partir du numero de Série n. 0000001 (31.10.2006) jusqu'à aujourd'hui
(16.02.2023)

Ersatzteilkatalog
gültig ab Serien-Nr. 0000001 (31.10.2006) bis heute (16.02.2023)

Spare parts catalogue
valid from serial no. 0000001 (31.10.2006) up today (16.02.2023)

Catálogo de peças de reposição
válido do número de série 0000001 (31.10.2006) até hoje (16.02.2023)

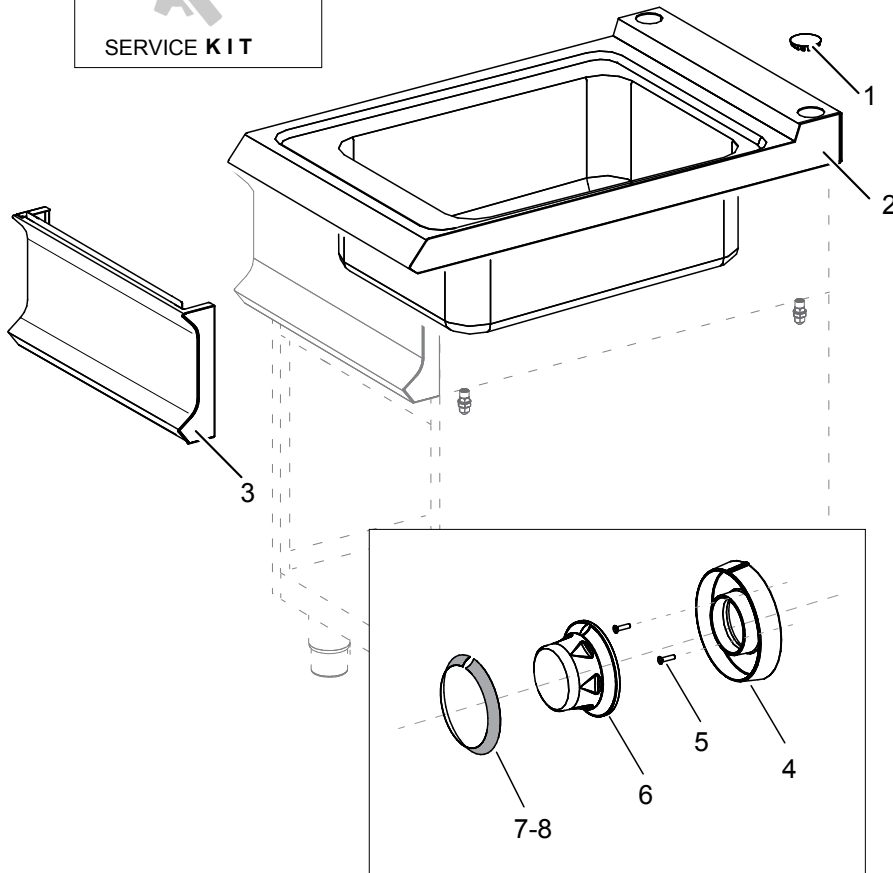
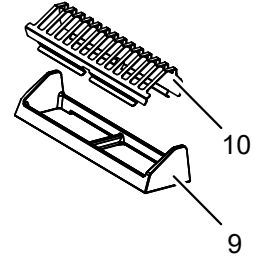
Le informazioni sono considerate non vincolanti. Le immagini rappresentate sono puramente indicative. Il produttore si riserva il diritto di apportare modifiche in qualsiasi momento senza preavviso.

Les informations données ne sont pas contraignantes. Les images montrées sont à titre indicatif. Le producteur se réserve le droit d'apporter des modifications sans préavis.

Die im vorliegenden Dokument aufgeführten Informationen und Bilder sind unverbindlich. Der Hersteller behält sich das Recht vor, jederzeit ohne vorherige Ankündigung Änderungen vorzunehmen

Info and drawing could be slightly different from reality and they cannot be considered as compelling. Manufacturer can modify info anytime without forewarning.

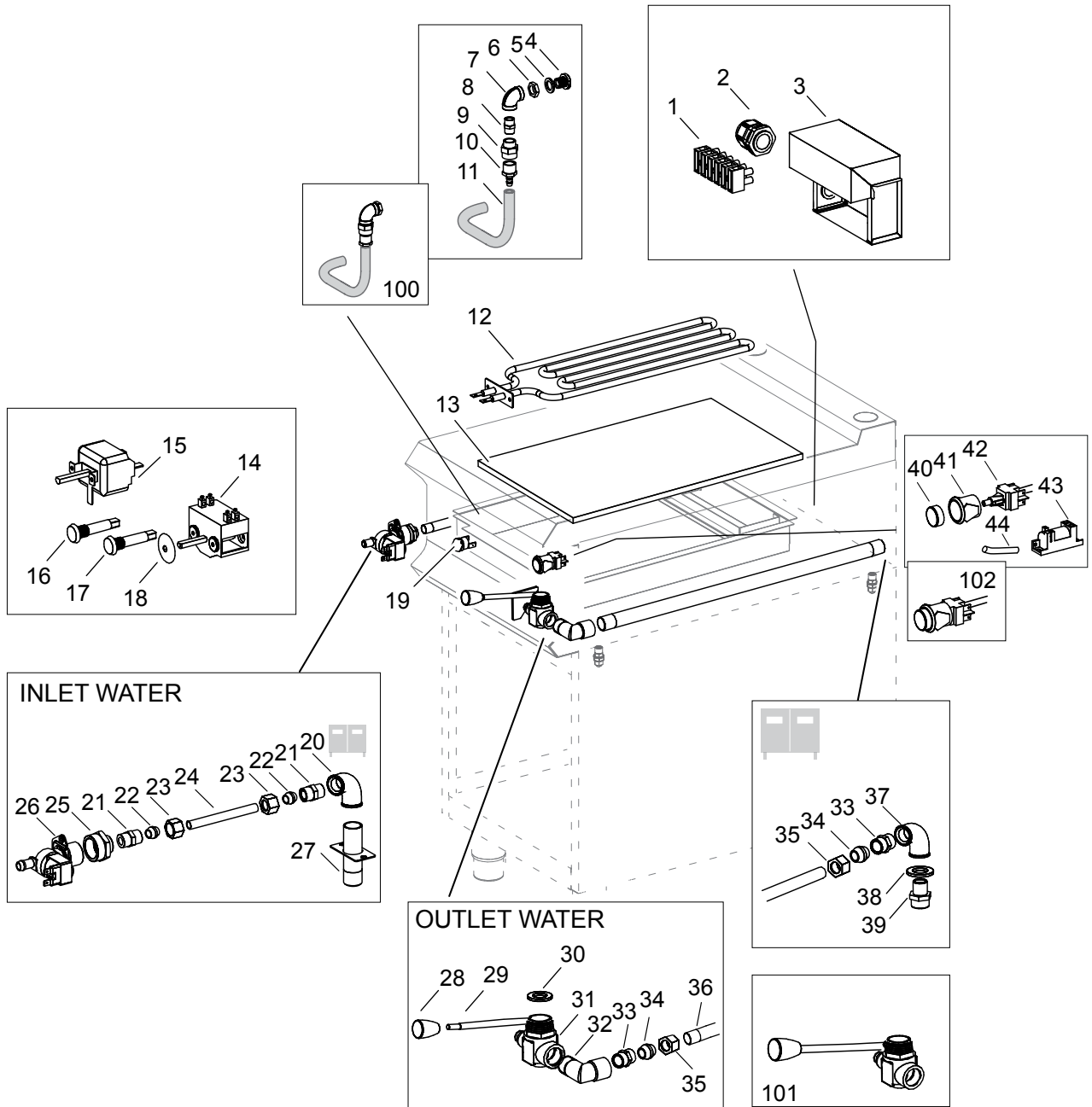
As Informações e desenhoS podem estar um pouco diferente da realidade e são puramente indicativas. O fabricante pode modificar estas informações a qualquer momento sem aviso prévio.



Nr.	Code	Title	Recommended
2.	203647	ARBEITSPLATTE + WANNE	
3.	204101	CONTROL PANEL	
6.	202200	COMMUTATOR KNOB	
7.	200610	SWITCH RING	
8.	200485	THERMOSTAT RING	
10.	202046	CHIMNEY GRILL	
100.	ECS9013	RECOMMENDED PARTS FOR BME94	



Nr.	Code	Title	Recommended
6.	200036	<i>BACK SIDE TALL</i>	
7.	200033	<i>BACK SIDE LOWER</i>	
8.	201557	<i>LEFT SIDE</i>	
9.	201556	<i>RIGHT SIDE</i>	
11.	201555	<i>REMOVABLE LOWER FLOOR</i>	
12.	201554	<i>CROSS FEET</i>	
13.	RTCU700277	<i>FOOT</i>	
14.	200029	<i>FRONT / REAR CROSS MEMBER</i>	



Nr.	Code	Title	Recommended
1.	RTBF900045	TERMINAL BOARD	
2.	RTBF700021	CABLE PRESS WITH NUT	
3.	201571	CABINET TERMINAL BLOCK PROTECTION	
4.	160224	WATER EROGATOR	
5.	166349	GASKET FOR WATER EROGATOR	
6.	RTCP800094	LOCK NUT	
7.	RTCU900121	CRANK	
8.	RTCU900103	NIPPLE 3/8"	✓
9.	187674	SLEEVE 1/2"-3/8"	
10.	187672	HOSE CONNECTION	
11.	173764	WATER PIPE	
12.	160085	HEATING ELEMENT 2,5KW	✓
13.	165106	INSULATING PANEL	
14.	RTCU700212	COMMUTATOR	✓
15.	RTBF800152	WORKING THERMOSTAT	✓
16.	166465	GREEN WARNING LIGHT	✓
17.	166466	ORANGE LAMP LIGHT	✓
18.	RTCU800185	GASKET FOR COMMUTATOR ROD	✓
19.	187668	THERMOSTAT	✓
21.	RTCU900103	NIPPLE 3/8"	✓
22.	RTCU900012	BICONE D.10	✓
23.	RTCU900013	NUT D.10 HEIGHT H. 14 MM	✓
24.	204750	WASHING SYSTEM PIPE	
25.	204753	NICKEL BRASS SLEEVE	
26.	RTFOC00022	1 WAY ELECTROVALVE	✓
27.	180550	WATER CONNECTION	
28.	RTCU700413	DRAIN SHEFT KNOB	
29.	182718	WATER DRAIN TAP PIN	
31.	160214	DISCHARGE TAP	
33.	RTCU900442	NIPPLE 1/2"- 3/8"	
34.	RTCU800195	BICONE D.12- INJECTOR SUPPORT	
35.	RTCU800181	NUT D.12	
36.	203717	WATER DISCHARGE PIPE	

37.	RTBF800071	CRANK	
38.	RTMIN00288	WASHER	
39.	RTC900442	NIPPLE 1/2"- 3/8"	
40.	201327	BLACK BUTTON	✓
41.	201326	CHROMED ROUND SUPPORT	✓
42.	183847	LIGHT BUTTON	✓
100.	RIC0005231	WATER SPOUT	
101.	RIC0005230	DISCHARGE TAP KIT	