

Apach

COOK *line*

Catalogo parti di ricambio valido
dalla matricola 0000001 (31.10.2006) ad oggi (17.02.2023)

Catalogue pieces detachees
valable à partir du numero de Série n. 0000001 (31.10.2006) jusqu'à aujourd'hui
(17.02.2023)

Ersatzteilkatalog
gültig ab Serien-Nr. 0000001 (31.10.2006) bis heute (17.02.2023)

Spare parts catalogue
valid from serial no. 0000001 (31.10.2006) up today (17.02.2023)

Catálogo de peças de reposição
válido do número de série 0000001 (31.10.2006) até hoje (17.02.2023)

Le informazioni sono considerate non vincolanti. Le immagini rappresentate sono puramente indicative. Il produttore si riserva il diritto di apportare modifiche in qualsiasi momento senza preavviso.

Les informations données ne sont pas contraignantes. Les images montrées sont à titre indicatif. Le producteur se réserve le droit d'apporter des modifications sans préavis.

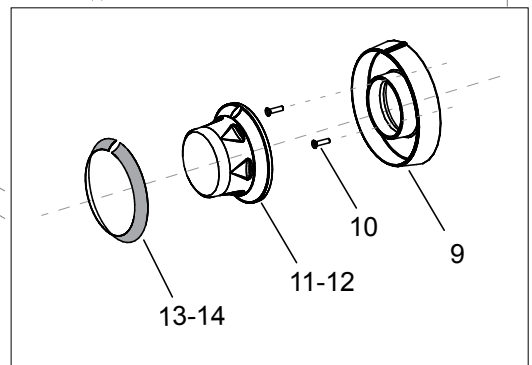
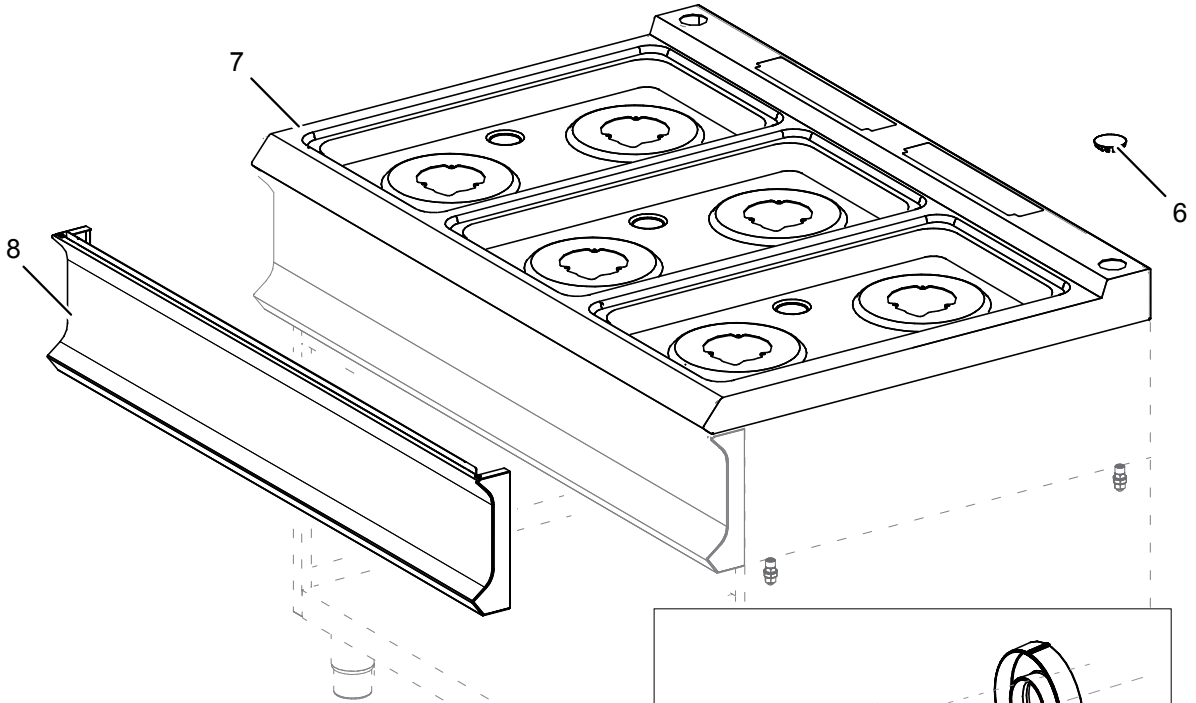
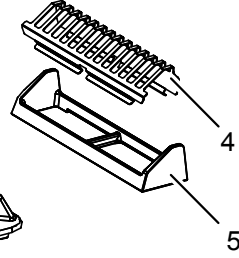
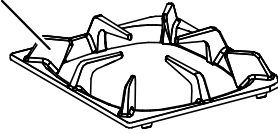
Die im vorliegenden Dokument aufgeführten Informationen und Bilder sind unverbindlich. Der Hersteller behält sich das Recht vor, jederzeit ohne vorherige Ankündigung Änderungen vorzunehmen

Info and drawing could be slightly different from reality and they cannot be considered as compelling. Manufacturer can modify info anytime without forewarning.

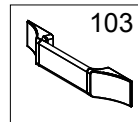
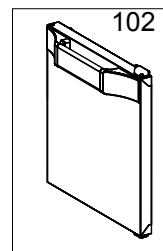
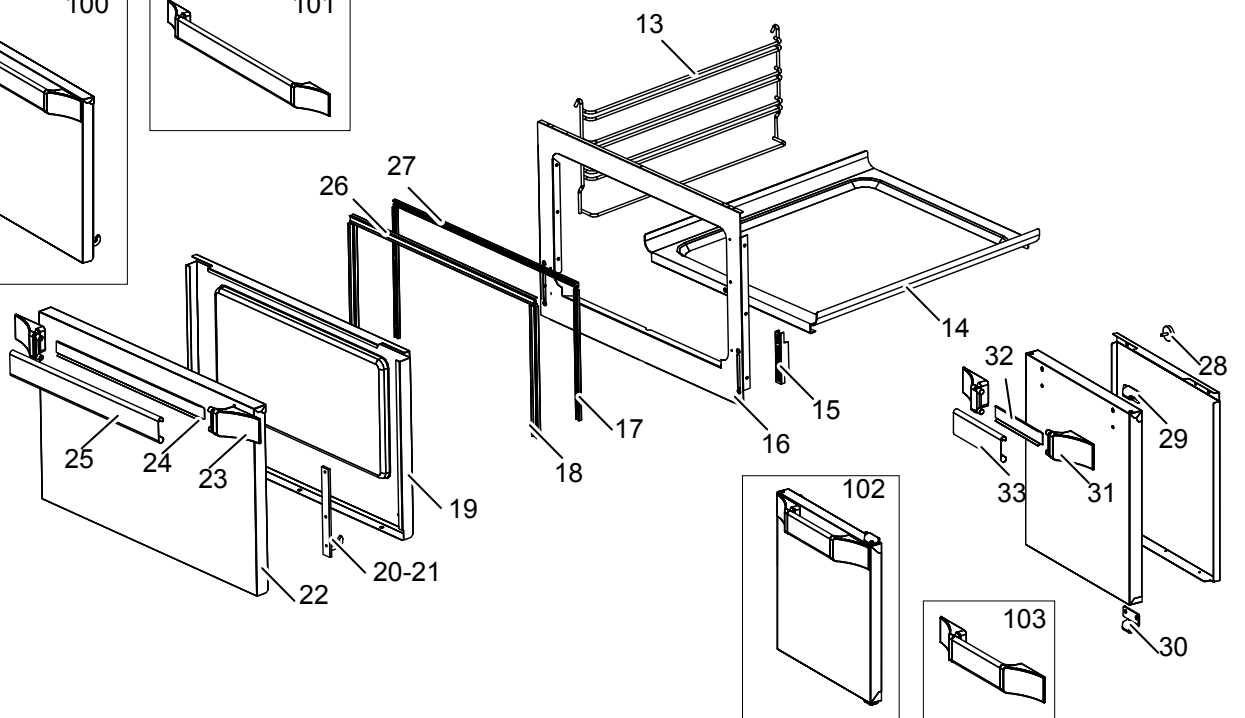
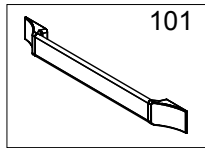
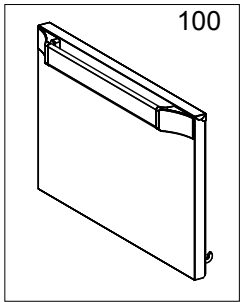
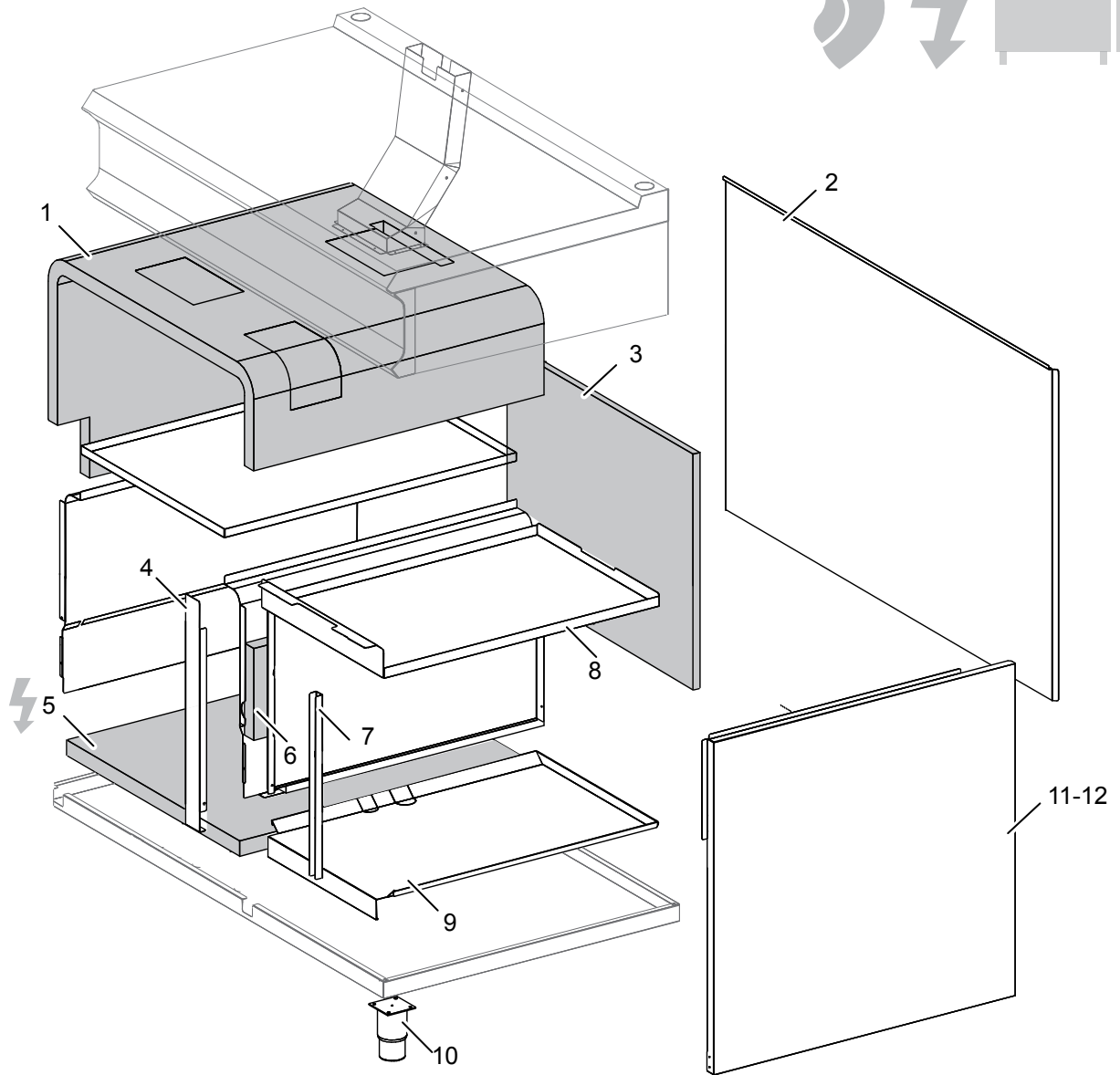
As Informações e desenhoS podem estar um pouco diferente da realidade e são puramente indicativas. O fabricante pode modificar estas informações a qualquer momento sem aviso prévio.



1-2-3



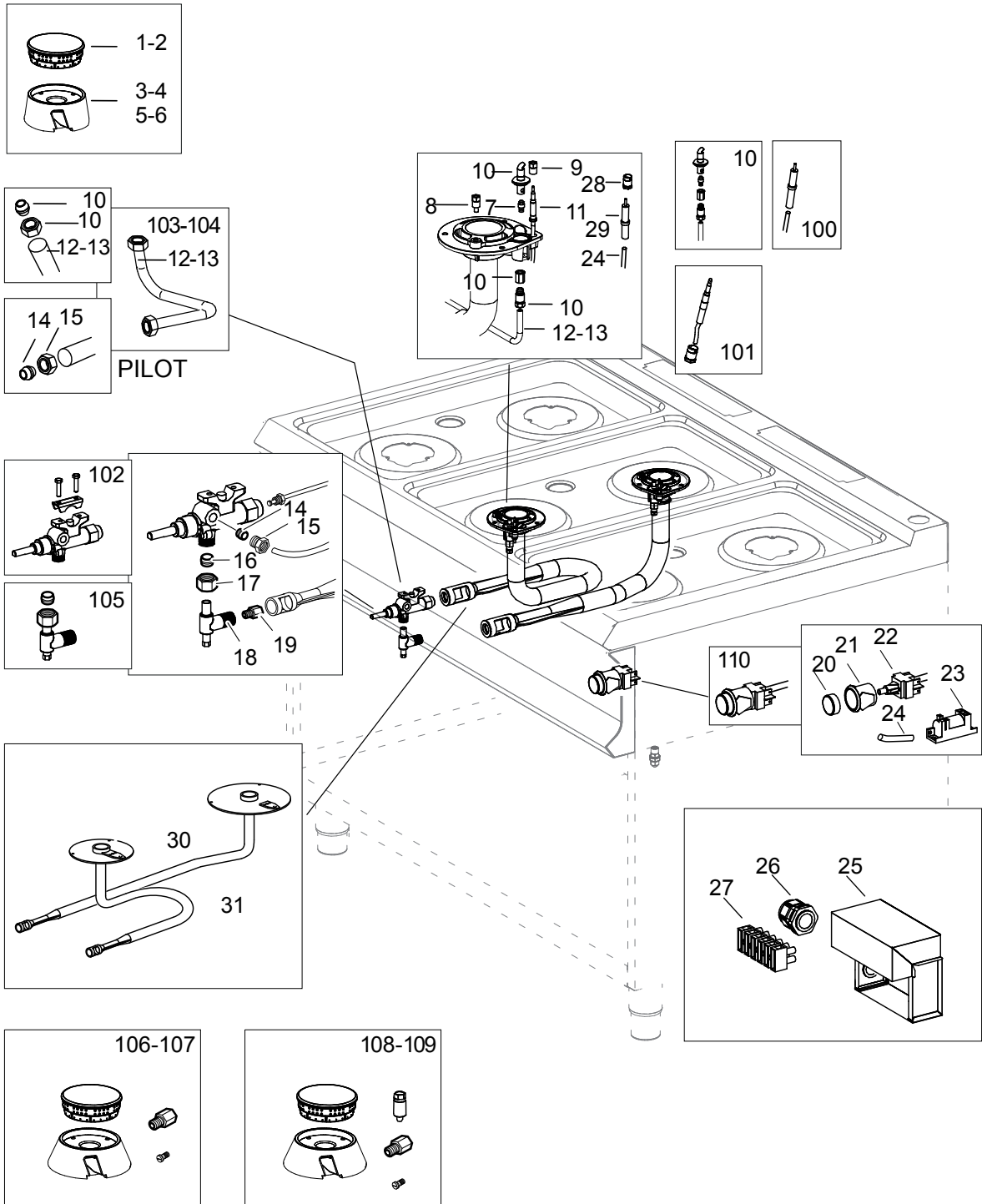
Nr.	Code	Title	Recommended
1.	185747	<i>SINGLE CAST IRON GRID</i>	
4.	202046	<i>CHIMNEY GRILL</i>	
6.	200787	<i>STOPPER</i>	
7.	204073	<i>WORK PLANE</i>	
8.	204156	<i>FRONT PANEL</i>	
11.	202201	<i>BURNER KNOB</i>	
12.	202200	<i>COMMUTATOR KNOB</i>	
13.	200160	<i>KNOB RING</i>	
14.	200487	<i>OVEN RING</i>	
100.	ECS9041	<i>RECOMMENDED PARTS FOR FB98FE</i>	



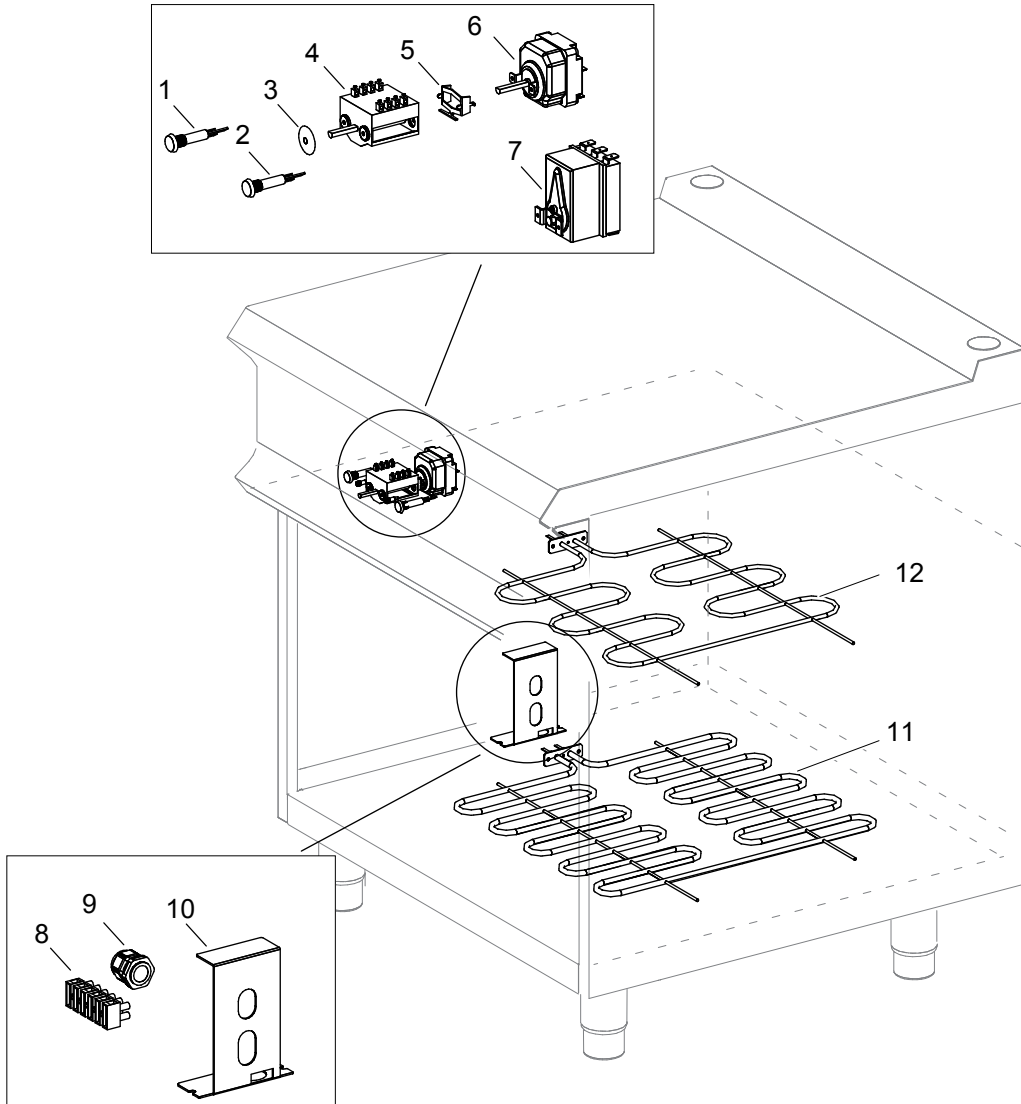
Nr.	Code	Title	Recommended
1.	180414	LEFT SIDE INSULATING PANEL	
2.	202401	REAR HIGH	
3.	162641	REAR DRAWER INSULATING PANEL	
4.	200022	FRONT CROSS MEMBER	
5.	162642	BOTTOM INSULATING PANEL	
6.	180413	UPPER RIGHT INSULATING PANEL	
7.	200002	HIP REINFORCEMENT	
8.	201558	CONTROLS PROTECTION	
9.	201555	REMOVABLE LOWER FLOOR	
10.	RTCU700277	FOOT	
11.	201556	RIGHT SIDE	
12.	201557	LEFT SIDE	
13.	179341	OVEN LATERAL SIDE	
14.	162759	OVEN PLATE	
15.	RTCU900004	SUPPORT FOR OVEN HINGE	
16.	202451	FRONT PANEL	
17.	184105	SIDE SEAL PROFILE	✓
18.	163888	LATERAL GASKET FOR OVEN DOOR	✓
19.	202466	OVEN INNER DOOR	
20.	RTCU900027	LEFT OVEN DOOR HINGE	✓
21.	RTCU900026	RIGHT HINGE DOOR	✓
22.	202467	OVEN DOOR	
23.	201706	HANDLE TERMINAL	
25.	203632	HANDLE	
26.	163889	UPPER GASKET FOR OVEN DOOR	✓
27.	184111	GASKET HOLDER	✓
28.	181529	DOOR MAGNET	
29.	200064	RIGHT HINGE	
30.	200065	LEFT HINGE	
31.	201706	HANDLE TERMINAL	
33.	201926	HANDLE	
100.	RIC0005148	OVEN DOOR COMPLETE	
101.	RIC0005149	HANDLE OVEN	

102. RIC0005129 *CABINET DOOR COMPLETE*

103. RIC0005130 *HANDLE CUPBOARD*



Nr.	Code	Title	Recommended
1.	185734	BURNER CAP 7 KW	✓
2.	185736	BURNER CAP 11KW	✓
3.	200656	BURNER 7KW	
4.	201970	BURNER 11KW	
7.	INIETTORE	SEE HANDBOOK NOZZLES	
8.	185752	SPACER KIT + SCREW	✓
9.	RTCU700391	NUT FIXING THERMOCOUPLE	✓
10.	185732	PILOT BURNER FLEX 2.0	✓
11.	RTCU700374	THERMOCOUPLE	✓
12.	202464	FRONT BURNER PILOT PIPE	
13.	202463	BACK BURNER PILOT PIPE	
14.	RTCU900019	NUT D.6 HEIGHT 10,5 MM.	✓
15.	RTCU900018	BICONE D.6 MM.6	✓
16.	RTCU900012	BICONE D.10	✓
17.	RTCU700297	NUT D.10	✓
18.	173320	INJECTOR SUPPORT TOP	✓
19.	INIETTORE	SEE HANDBOOK NOZZLES	
30.	201672	BACK BURNER DISTRIBUTION PIPE	
31.	201674	FRONT BURNER SUPPLY PIPE	
101.	RTCU700374-00	KIT THERMOCOUPLE	✓
102.	RIC0004953	KIT GAS TAP	✓
103.	RIC0005091	KIT FRONT PILOT PIPE	
104.	RIC0005092	KIT REAR PILOT PIPE	
105.	RIC0004951	KIT NOZZLE SUPPORT FB77FEXSAE	
106.	KFB70S	COMPLETE ENAMELLED BURNER KIT 7KW	
108.	KFB11S	COMPLETE ENAMELLED BURNER KIT 11KW	✓



Nr.	Code	Title	Recommended
1.	166465	<i>GREEN WARNING LIGHT</i>	✓
2.	166466	<i>ORANGE LAMP LIGHT</i>	✓
3.	RTCU800185	<i>GASKET FOR COMMUTATOR ROD</i>	✓
4.	167516	<i>COMMUTATOR</i>	✓
6.	RTCU600067	<i>WORKING THERMOSTAT</i>	✓
7.	RTCU800152	<i>SAFETY THERMOSTAT</i>	✓
8.	RTBF900045	<i>TERMINAL BOARD</i>	
9.	RTBF800138	<i>CHOCK</i>	
10.	200138	<i>TERMINAL BLOCK SUPPORT</i>	
11.	161661	<i>OVEN HEATING ELEMENT 3,75KW</i>	✓
12.	182701	<i>GRILL HEATING ELEMENT 2,2KW</i>	✓

MOD. 700

XS

5,5kW
5,5kW

5,5kW	5,5kW
5,5kW	5,5kW

5,5kW	5,5kW	5,5kW
5,5kW	5,5kW	5,5kW

XM

7 kW
5,5kW

5,5kW	7 kW
5,5kW	5,5kW

7 kW	5,5kW	7 kW
5,5kW	7 kW	5,5kW

XL

7 kW
7 kW

7 kW	7 kW
7 kW	7 kW

7 kW	7 kW	7 kW
7 kW	7 kW	7 kW

MOD. 980

XS

7 kW
7 kW

7 kW	7 kW
7 kW	7 kW

7 kW	7 kW	7 kW
7 kW	7 kW	7 kW

XM

7 kW
7 kW

7 kW	11 kW
7 kW	7 kW

7 kW	7 kW	11 kW
7 kW	7 kW	7 kW

XL

11 kW
7 kW

7 kW	11 kW
11 kW	7 kW

11 kW	7 kW	11 kW
7 kW	7 kW	7 kW

XXL

11 kW
11 kW

11 kW	11 kW
11 kW	7 kW

11 kW	7 kW	11 kW
7 kW	11 kW	7 kW