

Apach

COOK *Line*

Catalogo parti di ricambio valido
dalla matricola 0000001 (31.10.2006) ad oggi (17.02.2023)

Catalogue pieces detachees
valable à partir du numero de Série n. 0000001 (31.10.2006) jusqu'à aujourd'hui
(17.02.2023)

Ersatzteilkatalog
gültig ab Serien-Nr. 0000001 (31.10.2006) bis heute (17.02.2023)

Spare parts catalogue
valid from serial no. 0000001 (31.10.2006) up today (17.02.2023)

Catálogo de peças de reposição
válido do número de série 0000001 (31.10.2006) até hoje (17.02.2023)

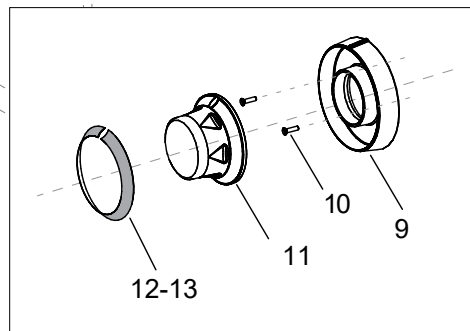
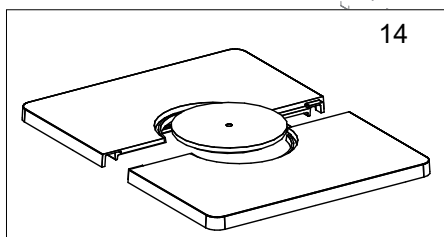
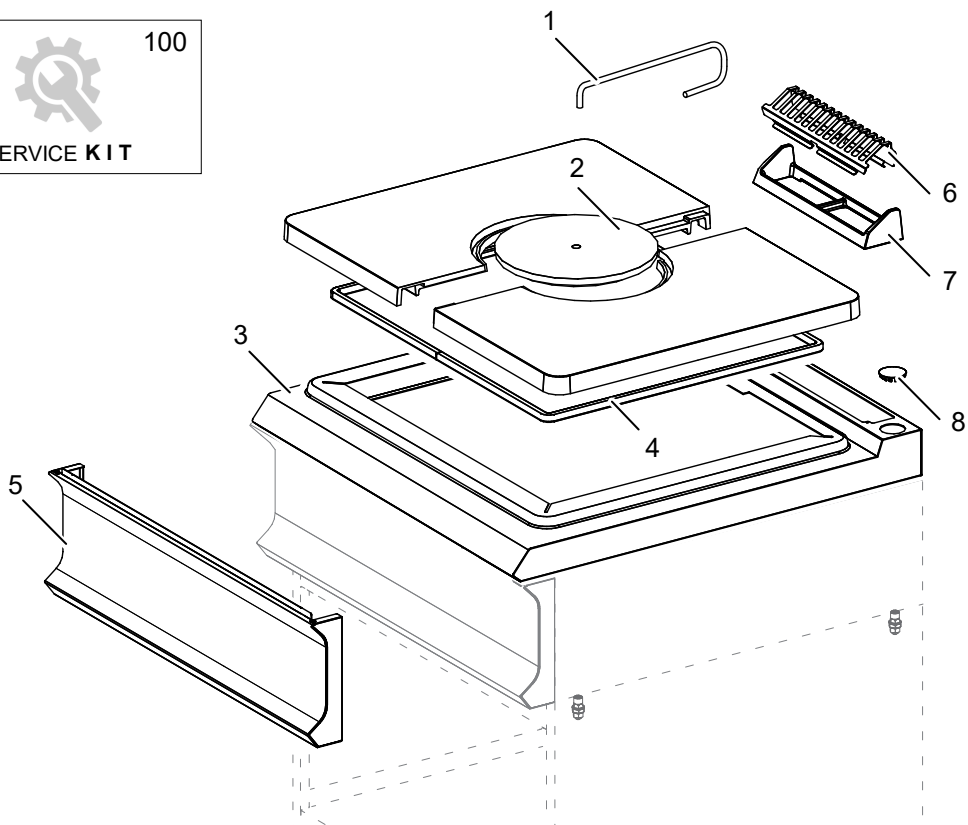
Le informazioni sono considerate non vincolanti. Le immagini rappresentate sono puramente indicative. Il produttore si riserva il diritto di apportare modifiche in qualsiasi momento senza preavviso.

Les informations données ne sont pas contraignantes. Les images montrées sont à titre indicatif. Le producteur se réserve le droit d'apporter des modifications sans préavis.

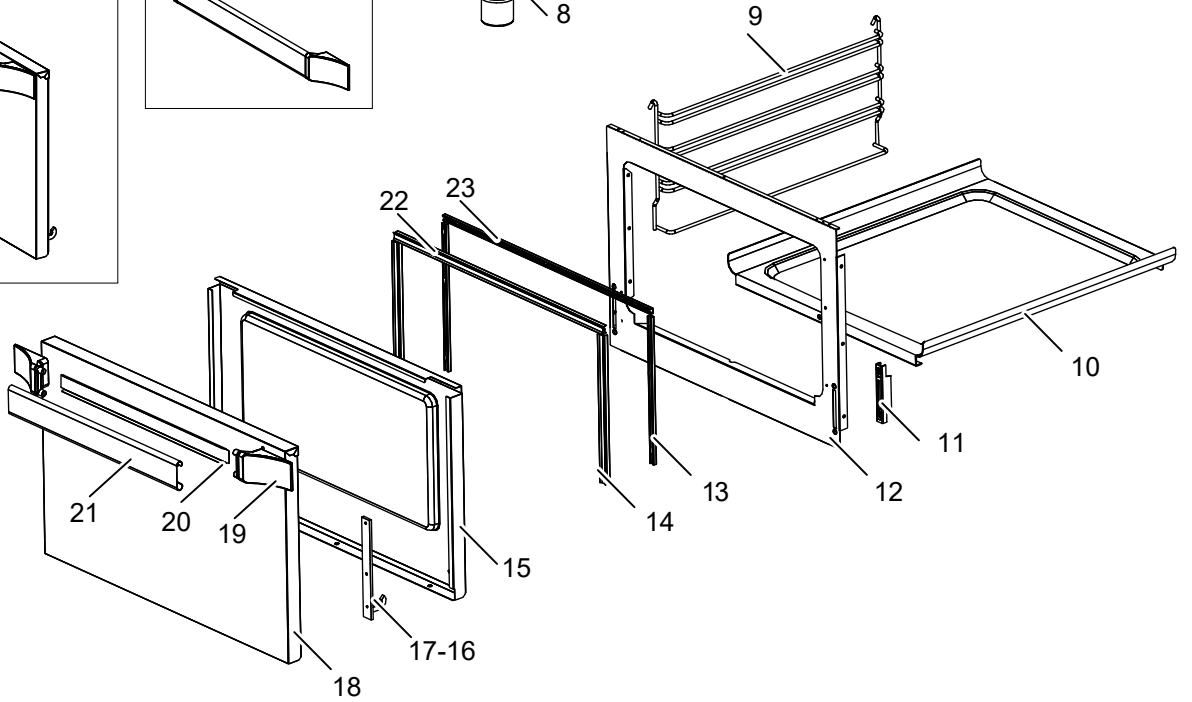
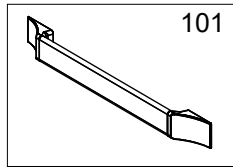
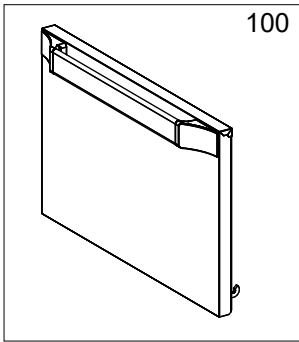
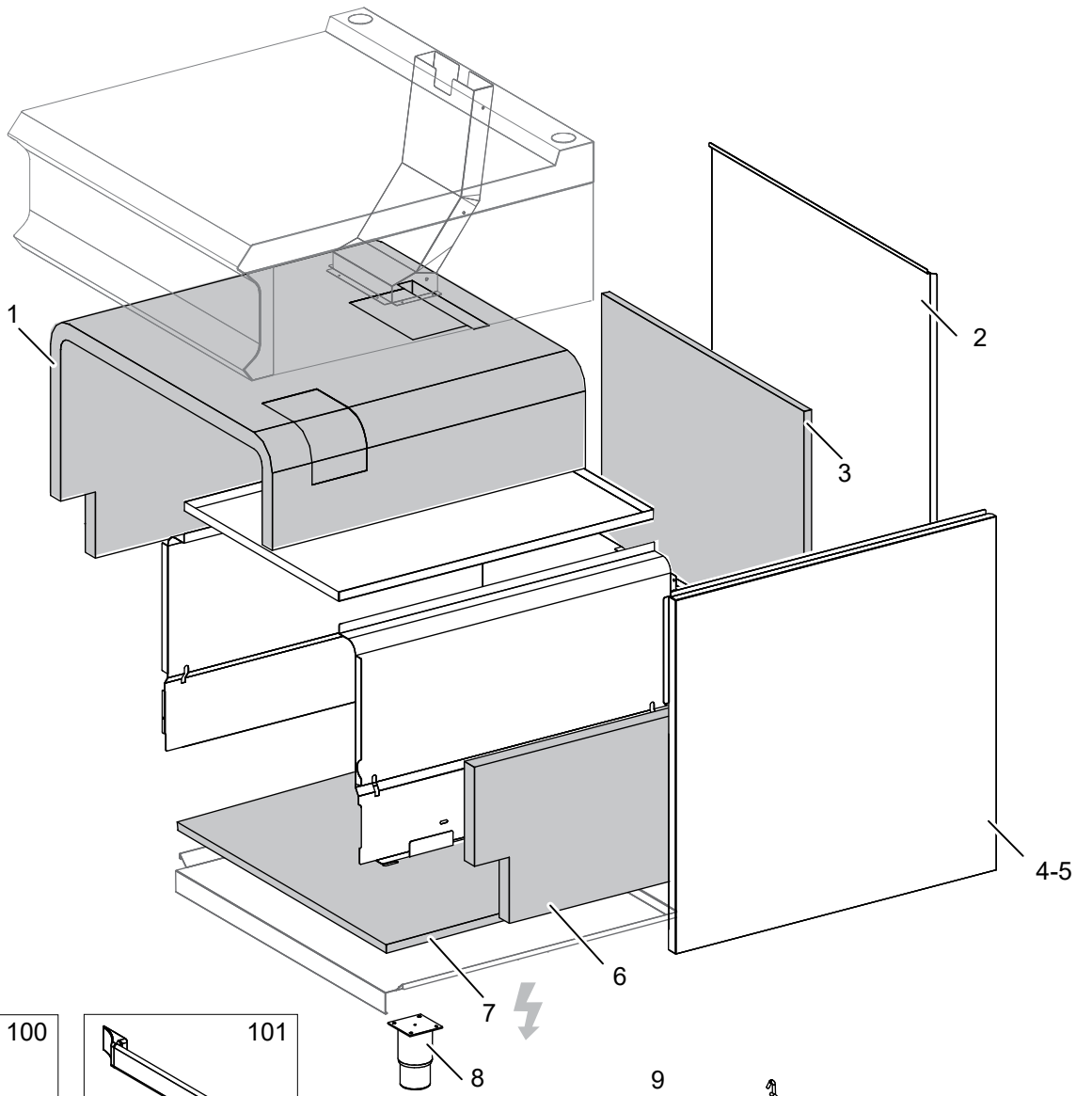
Die im vorliegenden Dokument aufgeführten Informationen und Bilder sind unverbindlich. Der Hersteller behält sich das Recht vor, jederzeit ohne vorherige Ankündigung Änderungen vorzunehmen

Info and drawing could be slightly different from reality and they cannot be considered as compelling. Manufacturer can modify info anytime without forewarning.

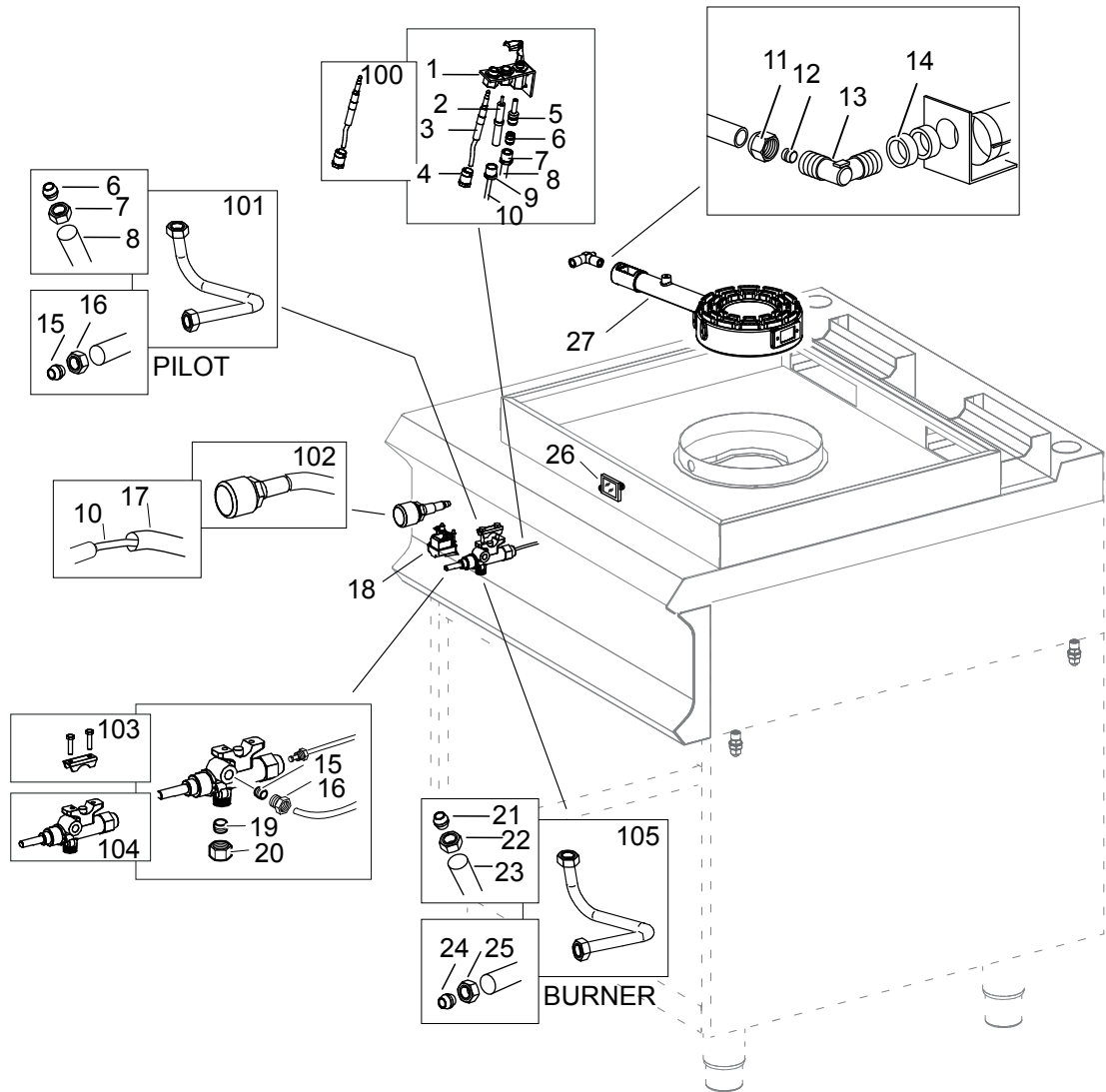
As Informações e desenhoS podem estar um pouco diferente da realidade e são puramente indicativas. O fabricante pode modificar estas informações a qualquer momento sem aviso prévio.



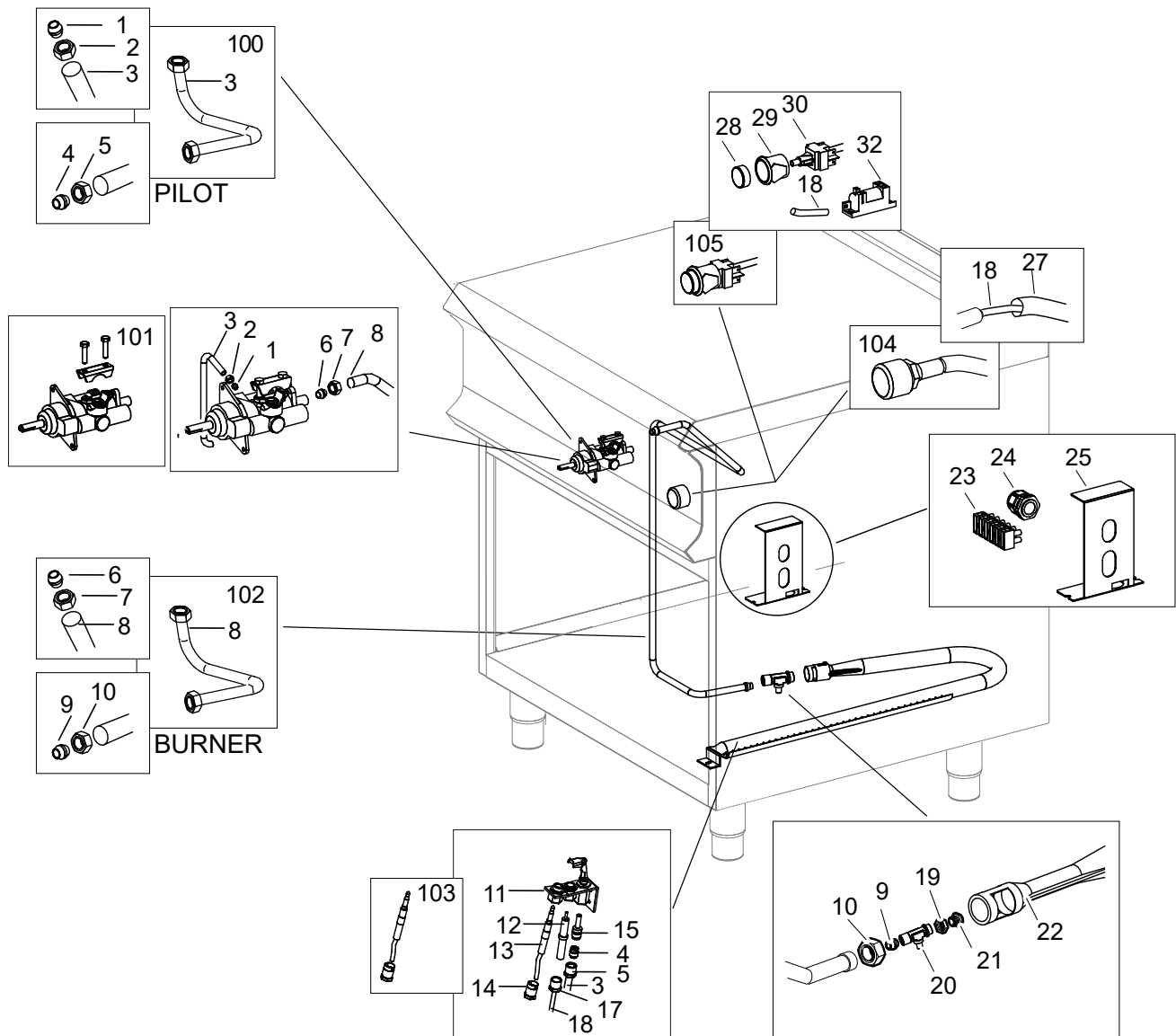
Nr.	Code	Title	Recommended
1.	RTCU900030	SOLID TOP HOOK	
2.	RIC0002358	CENTRAL RING	
3.	203859	STAINLESS STEEL KITCHEN TOP	
4.	163292	INSULATION	
5.	203857	CONTROL PANEL	
6.	202046	CHIMNEY GRILL	
11.	202201	BURNER KNOB	
12.	200160	KNOB RING	
13.	200341	OVEN RING	
14.	160325	WORK PLANE	
100.	ECS9011	RECOMMENDED PARTS FOR TPG98FG	



Nr.	Code	Title	Recommended
1.	180414	LEFT SIDE INSULATING PANEL	
2.	200470	HIGH REAR	
3.	162641	REAR DRAWER INSULATING PANEL	
4.	201556	RIGHT SIDE	
5.	201557	LEFT SIDE	
6.	180413	UPPER RIGHT INSULATING PANEL	
8.	RTCU700277	FOOT	
9.	179341	OVEN LATERAL SIDE	
10.	162759	OVEN PLATE	
11.	RTCU900004	SUPPORT FOR OVEN HINGE	
12.	202451	FRONT PANEL	
13.	184105	SIDE SEAL PROFILE	✓
14.	163888	LATERAL GASKET FOR OVEN DOOR	✓
15.	202466	OVEN INNER DOOR	✓
16.	RTCU900027	LEFT OVEN DOOR HINGE	✓
17.	RTCU900026	RIGHT HINGE DOOR	✓
18.	202467	OVEN DOOR	✓
19.	201706	HANDLE TERMINAL	✓
21.	203632	HANDLE	✓
22.	163889	UPPER GASKET FOR OVEN DOOR	✓
23.	184111	GASKET HOLDER	✓
100.	RIC0005148	OVEN DOOR COMPLETE	
101.	RIC0005149	HANDLE OVEN	



Nr.	Code	Title	Recommended
1.	RTCP800034	3 WAYS PILOT BURNER	✓
2.	RTCP800033	ROUND SPARK PLUG	✓
3.	RTCU900474	THERMOCOUPLE	✓
4.	RTCP800038	T/COUPLE AND PILOT PIPE NUT	✓
5.	INIETTORE	SEE HANDBOOK NOZZLES	
6.	RTCU900018	BICONE D.6 MM.6	✓
7.	RTCU900019	NUT D.6 HEIGHT 10,5 MM.	✓
8.	203361	BURNER PILOT PIPE	
9.	RTCU900215	SPARK NUT	✓
10.	RTCU900385	OVEN LIGHTING CABLE	
13.	RTCU700001	INJECTOR SUPPORT	
14.	RTCU900005	LOCK NUT	✓
17.	168890	TRASPARENT SILICON PIPE	
18.	RTBF800076	SAFETY THERMOSTAT	✓
22.	RTBF900054	DISPLAY	
23.	177093	144 HOLES BURNER - BLACK PAINTED	✓
100.	RTCU900474-00	KIT THERMOCOUPLE	
101.	RIC0005196	KIT PILOT PIPE TPG	
102.	RIC0004096	PIEZO IGNITION + LIGHTING CABLE	✓
104.	RIC0004953	KIT GAS TAP	✓
105.	203313	FEEDING PIPE FOR BURNER	



Nr.	Code	Title	Recommended
1.	RTCU900018	<i>BICONE D.6 MM.6</i>	✓
2.	RTCU900019	<i>NUT D.6 HEIGHT 10,5 MM.</i>	✓
3.	180979	<i>OVEN BURNER PILOT PIPE</i>	
4.	RTCU800183	<i>BICONE D.6 MM.11</i>	✓
5.	RTCU800182	<i>NUT AC.D.6 BLACK HEIGHT 11 MM.</i>	✓
11.	RTCP800034	<i>3 WAYS PILOT BURNER</i>	✓
12.	RTCP800033	<i>ROUND SPARK PLUG</i>	✓
13.	RTCU900061	<i>THERMOCOUPLE</i>	✓
14.	RTCP800038	<i>T/COUPLE AND PILOT PIPE NUT</i>	✓
15.	INIETTORE	<i>SEE HANDBOOK NOZZLES</i>	
17.	RTCU900215	<i>SPARK NUT</i>	✓
18.	RTBF800308	<i>IGNITION CABLE CM 150</i>	✓
19.	RTCU900005	<i>LOCK NUT</i>	✓
20.	162697	<i>INJECTOR SUPPORT</i>	
21.	INIETTORE	<i>SEE HANDBOOK NOZZLES</i>	
22.	167224	<i>OVEN BURNER</i>	✓
27.	168890	<i>TRASPARENT SILICON PIPE</i>	
100.	RIC0005093	<i>OVEN PILOT PIPE KIT</i>	
101.	RIC0004862	<i>GAS THERMOSTAT</i>	✓
102.	180980	<i>FEEDING PIPE FOR OVEN BURNER</i>	✓
103.	RTCU900061-00	<i>KIT THERMOCOUPLE + NUT 120 CM</i>	
104.	RIC0004096	<i>PIEZO IGNITION + LIGHTING CABLE</i>	✓