

Apach

COOK *line*

Catalogo parti di ricambio valido
dalla matricola 0000001 (31.10.2006) ad oggi (21.11.2023)

Catalogue pieces detachees
valable à partir du numero de Série n. 0000001 (31.10.2006) jusqu'à aujourd'hui
(21.11.2023)

Ersatzteilkatalog
gültig ab Serien-Nr. 0000001 (31.10.2006) bis heute (21.11.2023)

Spare parts catalogue
valid from serial no. 0000001 (31.10.2006) up today (21.11.2023)

Catálogo de peças de reposição
válido do número de série 0000001 (31.10.2006) até hoje (21.11.2023)

Le informazioni sono considerate non vincolanti. Le immagini rappresentate sono puramente indicative. Il produttore si riserva il diritto di apportare modifiche in qualsiasi momento senza preavviso.

Les informations données ne sont pas contraignantes. Les images montrées sont à titre indicatif. Le producteur se réserve le droit d'apporter des modifications sans préavis.

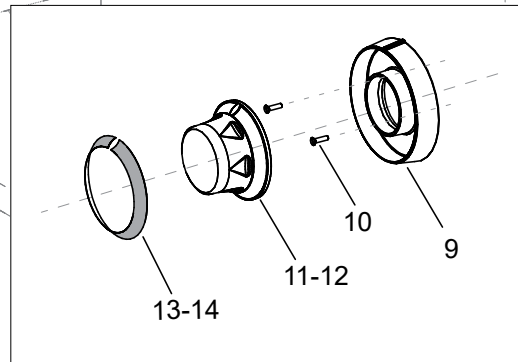
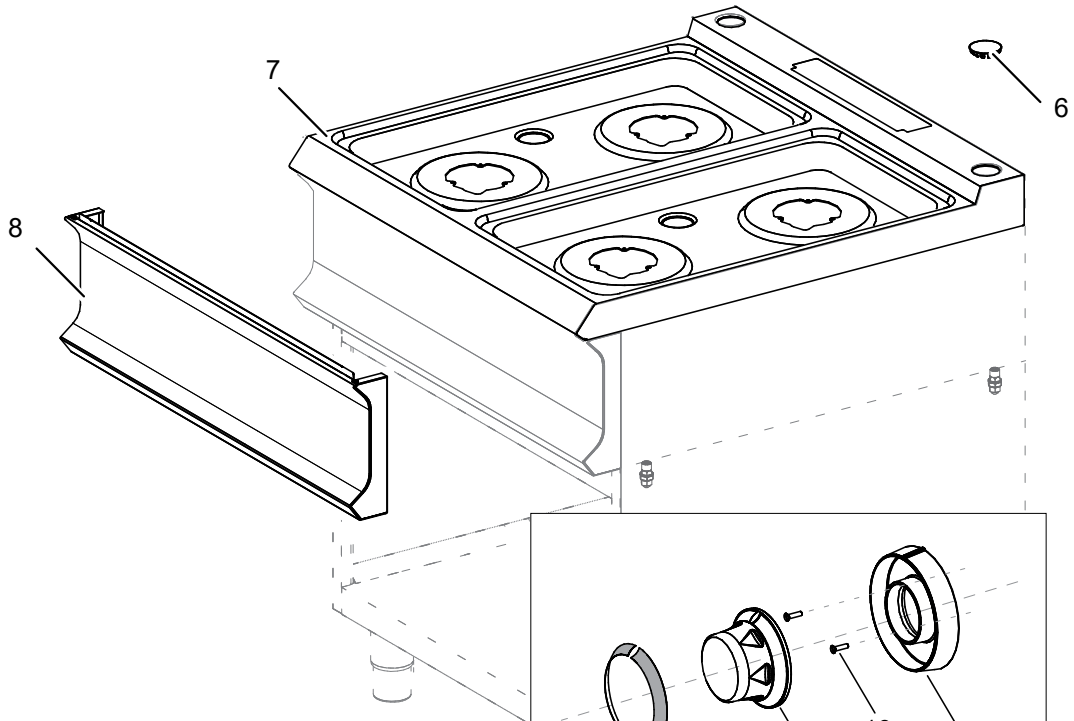
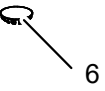
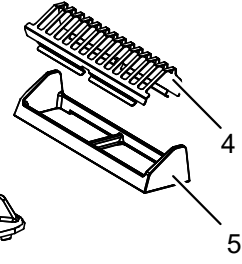
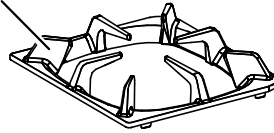
Die im vorliegenden Dokument aufgeführten Informationen und Bilder sind unverbindlich. Der Hersteller behält sich das Recht vor, jederzeit ohne vorherige Ankündigung Änderungen vorzunehmen

Info and drawing could be slightly different from reality and they cannot be considered as compelling. Manufacturer can modify info anytime without forewarning.

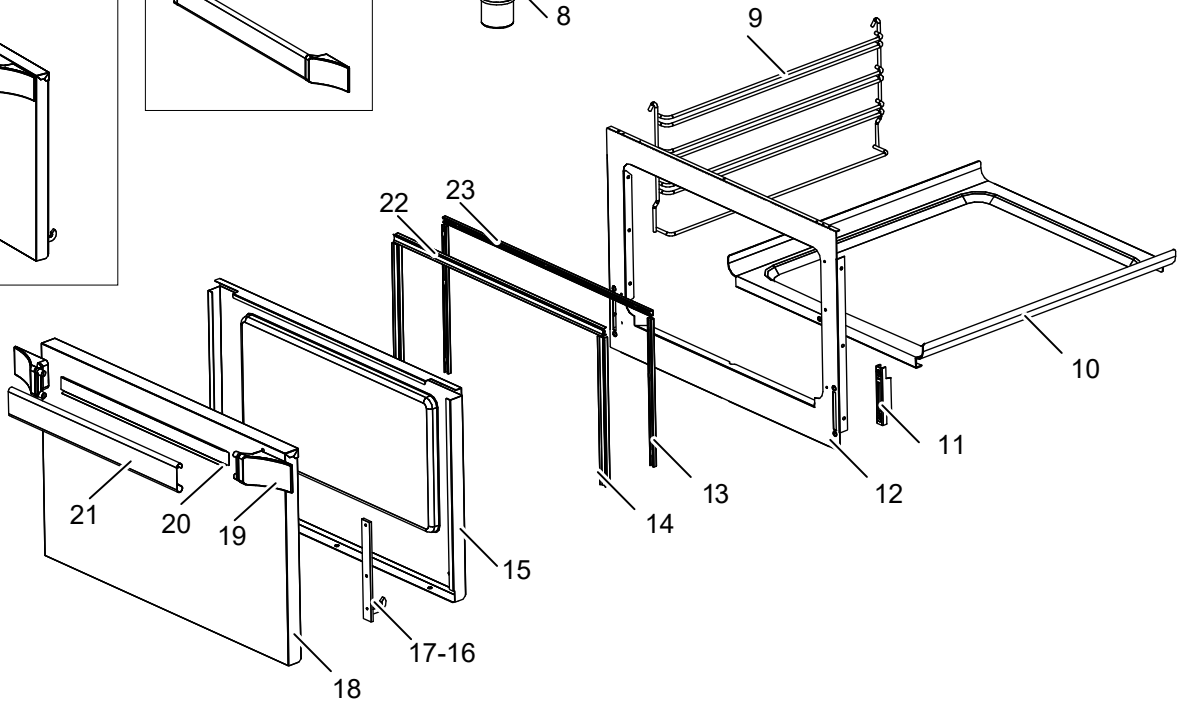
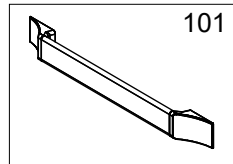
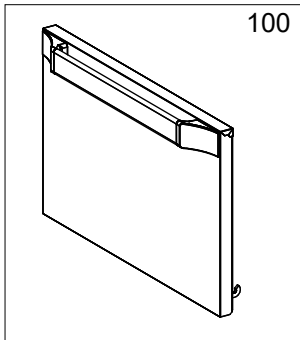
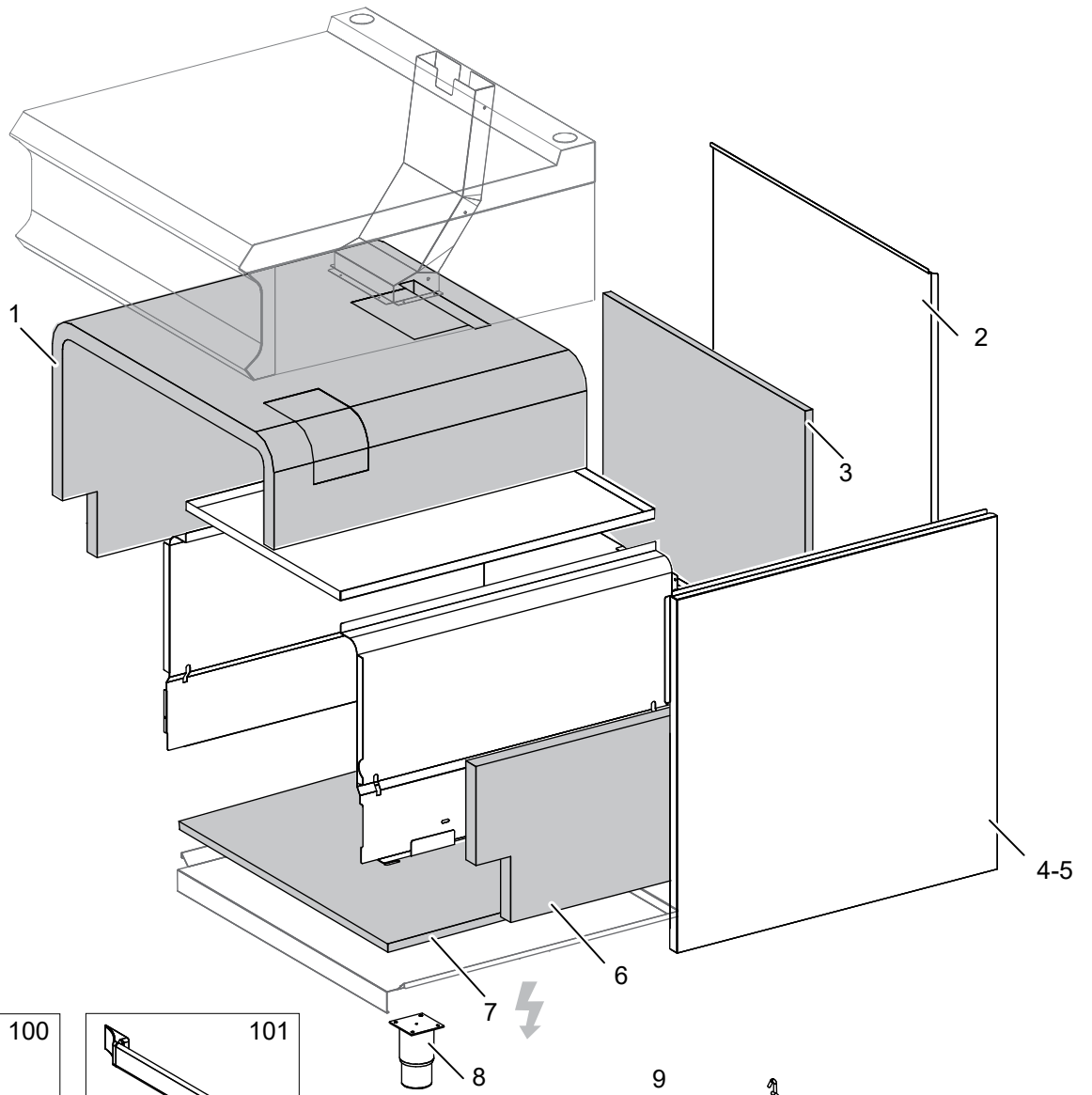
As Informações e desenhoS podem estar um pouco diferente da realidade e são puramente indicativas. O fabricante pode modificar estas informações a qualquer momento sem aviso prévio.



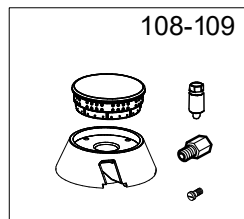
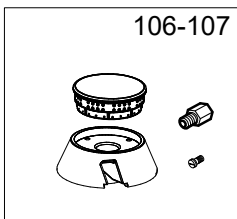
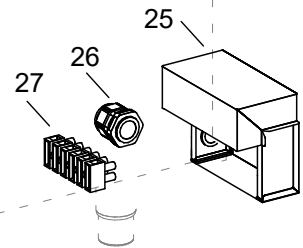
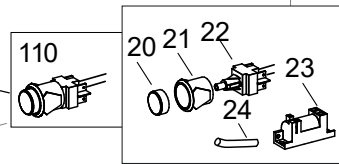
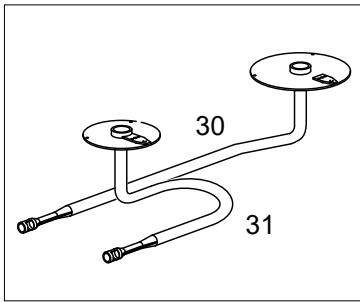
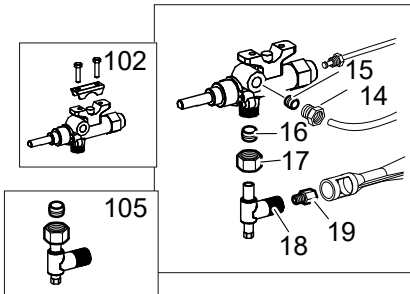
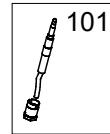
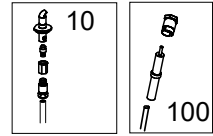
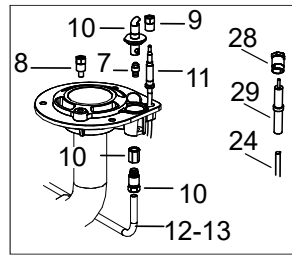
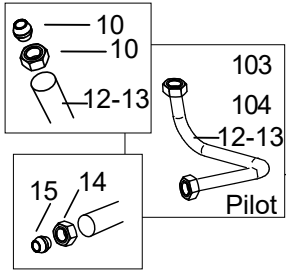
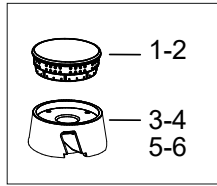
1-2-3



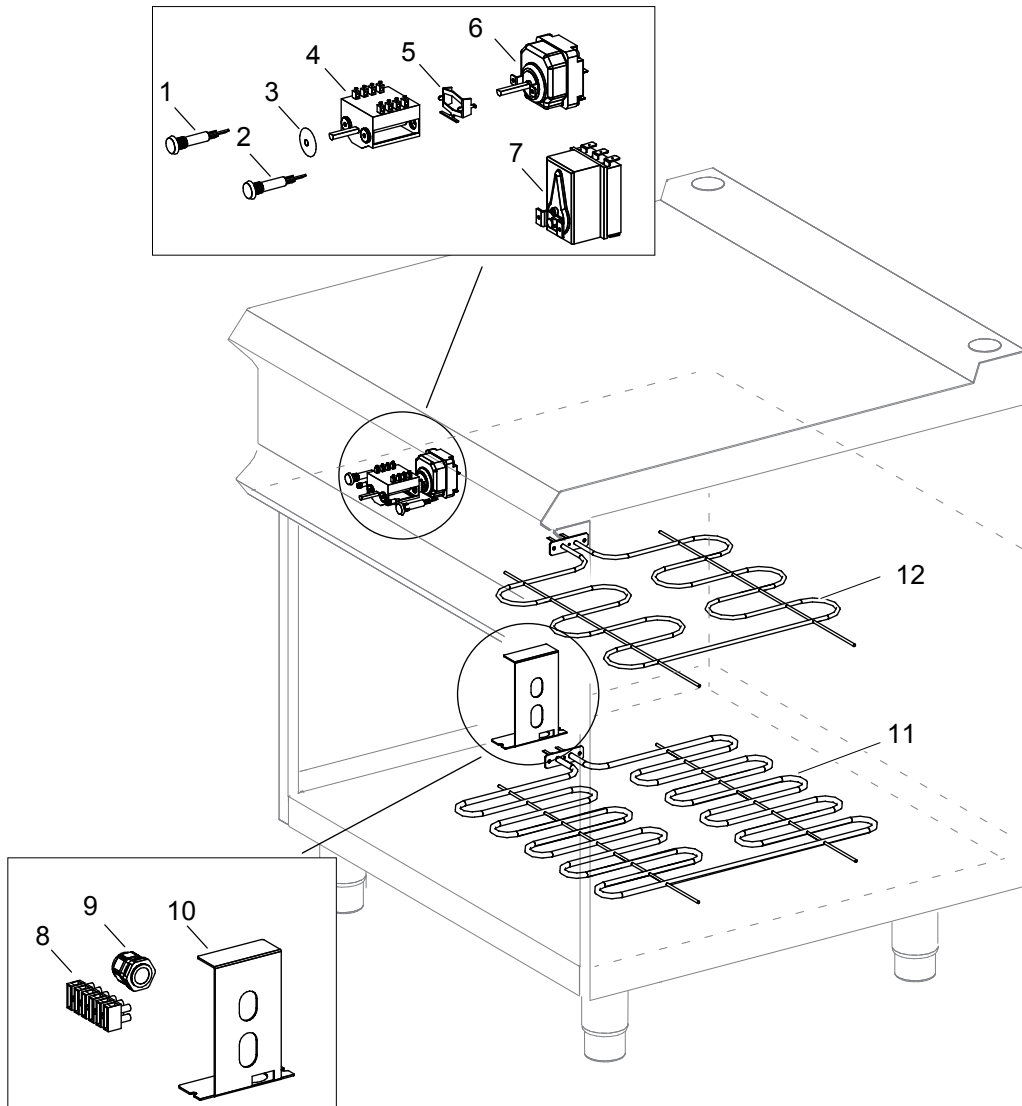
Nr.	Code	Title	Recommended
1.	RTCU700274	<i>BLACK ENAMELLED PAN GRID -MAGISTRA -</i>	
4.	202046	<i>CHIMNEY GRILL</i>	
6.	200787	<i>STOPPER</i>	
7.	202010	<i>WORK PLANE</i>	
8.	202252	<i>CONTROL PANEL</i>	
11.	202201	<i>BURNER KNOB</i>	
12.	202200	<i>ELECTRIC KNOB BODY M-PLUS</i>	
13.	200160	<i>KNOB RING</i>	
14.	200487	<i>OVEN RING</i>	
100.	ECS7011	<i>RECOMMENDED PARTS FOR FB77FE</i>	



Nr.	Code	Title	Recommended
1.	166251	INSULATING PANEL LEFT	
2.	200112	BACK SIDE	
3.	167386	INSULATING PANEL	
4.	200031	LATERAL SIDE RIGHT	
5.	200032	LATERAL SIDE LEFT	
6.	166252	INSULATING PANEL UPPER RIGHT	
7.	RTCU700445	INSULATING PANEL BOTTOM	
8.	RTCU700277	FOOT	
9.	167223	OVEN'S LATERAL GUIDES	
10.	167218	OVEN PLATE	
11.	RTCU900004	OVEN DOOR HINGE ROLL HOLDER	
12.	200098	FRONT PANEL	
13.	184105	SIDE SEAL PROFILE	
14.	163888	LATERAL GASKET FOR OVEN DOOR	✓
15.	200063	OVEN DOOR COUNTER	
16.	RTCU900027	OVEN LEFTHAND HINGE	✓
17.	RTCU900026	RIGHT HINGE DOOR	✓
18.	200062	OVEN DOOR	
19.	201706	HANDLE TERMINAL	
21.	202052	HANDLE	
22.	164738	TOP GASKET	✓
23.	184110	UPPER OVEN GASKET PROFILE	
100.	RIC0005125	OVEN DOOR COMPLETE	
101.	RIC0005126	HANDLE OVEN	



Nr.	Code	Title	Recommended
1.	185734	BURNER CAP 7 KW	✓
3.	200656	FLEX BURNER 5.5KW - 7KW	
7.	INIETTORE	SEE HANDBOOK NOZZLES	
9.	RTCU700391	THERMMOCOUPLE FIXING NUT M6	✓
10.	185732	PILOT BURNER FLEX 2.0	✓
11.	RTCU700374	THERMOCUOPLE 60CM WITH THREAD (RANGES)	✓
12.	200737	BACK BURNER PILOT PIPE	
13.	200738	FRONT BURNER PILOT PIPE	
14.	RTCU900019	NUT D.6 HEIGHT 10,5 MM.	
15.	RTCU900018	BICONE D.6 MM.6	
16.	RTCU900012	BICONE	
17.	RTCU700297	NUT D.10	
18.	173320	INJECTOR SUPPORT TOP	
19.	INIETTORE	SEE HANDBOOK NOZZLES	
30.	200196	BACK BURNER DISTRIBUTION PIPE	
31.	200197	FRONT BURNER DISTRIBUTION PIPE	
101.	RTCU700374-00	KIT THERMOCOUPLE	
102.	RIC0004953	KIT GAS TAP	✓
103.	RIC0004948	KIT FRONT PILOT PIPE FB77FEXSAE	
104.	RIC0004949	KIT REAR PILOT PIPE FB77FEXSAE	
105.	RIC0004951	KIT NOZZLE SUPPORT FB77FEXSAE	
106.	KFB55S	COMPLETE ENAMELED FLEX BURNER KIT 5,5KW	
108.	KFB70S	COMPLETE ENAMELLED FLEX BURNER KIT 7KW	



Nr.	Code	Title	Recommended
1.	166465	<i>GREEN WARNING LIGHT</i>	✓
2.	166466	<i>ORANGE LAMP LIGHT</i>	✓
3.	RTCU800185	<i>GASKET FOR COMMUTATOR ROD</i>	✓
4.	167516	<i>COMMUTATOR</i>	✓
6.	RTCU600067	<i>WORKING THERMOSTAT 300°C EFT</i>	✓
7.	RTCU800152	<i>THREE PHASE LIMIT THERM.350°C EGO-FRYERS</i>	✓
8.	RTBF900045	<i>TERMINAL BOARD</i>	
9.	RTBF800138	<i>CHOCK</i>	
10.	200138	<i>TERMINAL BLOCK SUPPORT</i>	
11.	167379	<i>OVEN HEATING ELEMENT 3,8KW</i>	✓
12.	167380	<i>GRILL HEATING ELEMENT 1,5KW</i>	✓