

Apach

COOK *line*

Eurotec SRL Viale Europa, 24 - 37045
S.Pietro di Legnago (VR) - ITALY

EAC

**SPARE PARTS CATALOGUE
ERSATZTEILKATALOG
CATALOGUE PIECES DETACHEES
CATALOGO PARTI RICAMBIO
CATALOGO DE PIEZAS DE RECAMBIO
CATALOGO PECAS, DE REPOSICAO**

Catalogo parti di ricambio valido
dalla matricola 3179675 ad oggi (31/05/2024)

Catalogue pieces detachees
du numero de Série n. 3179675 jusqu'à aujourd'hui (31/05/2024)

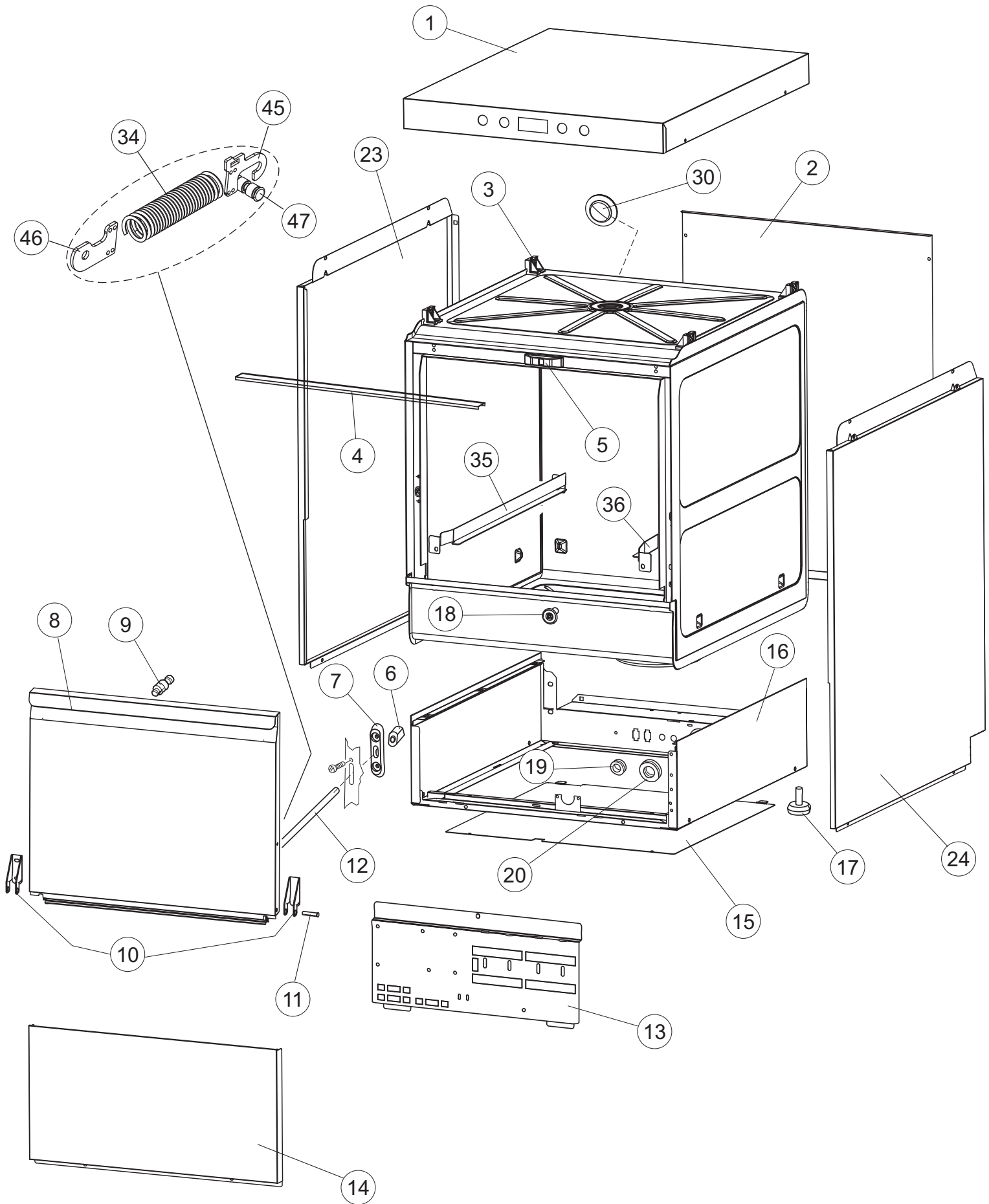
Ersatzteilkatalog
gültig ab Serien-Nr. 3179675 bis heute (31/05/2024)

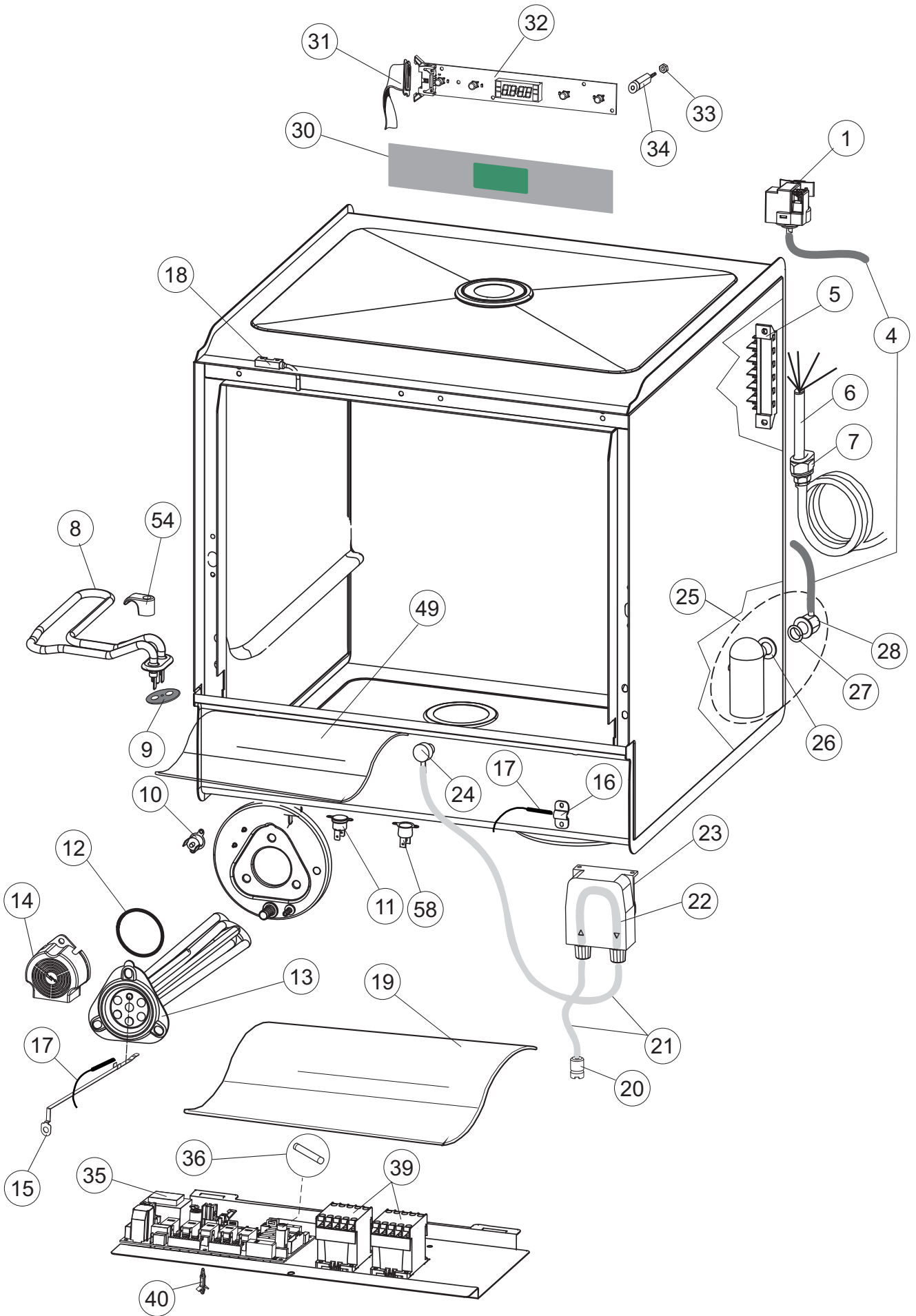
Spare parts catalogue
valid from serial no. 3179675 up today (31/05/2024)

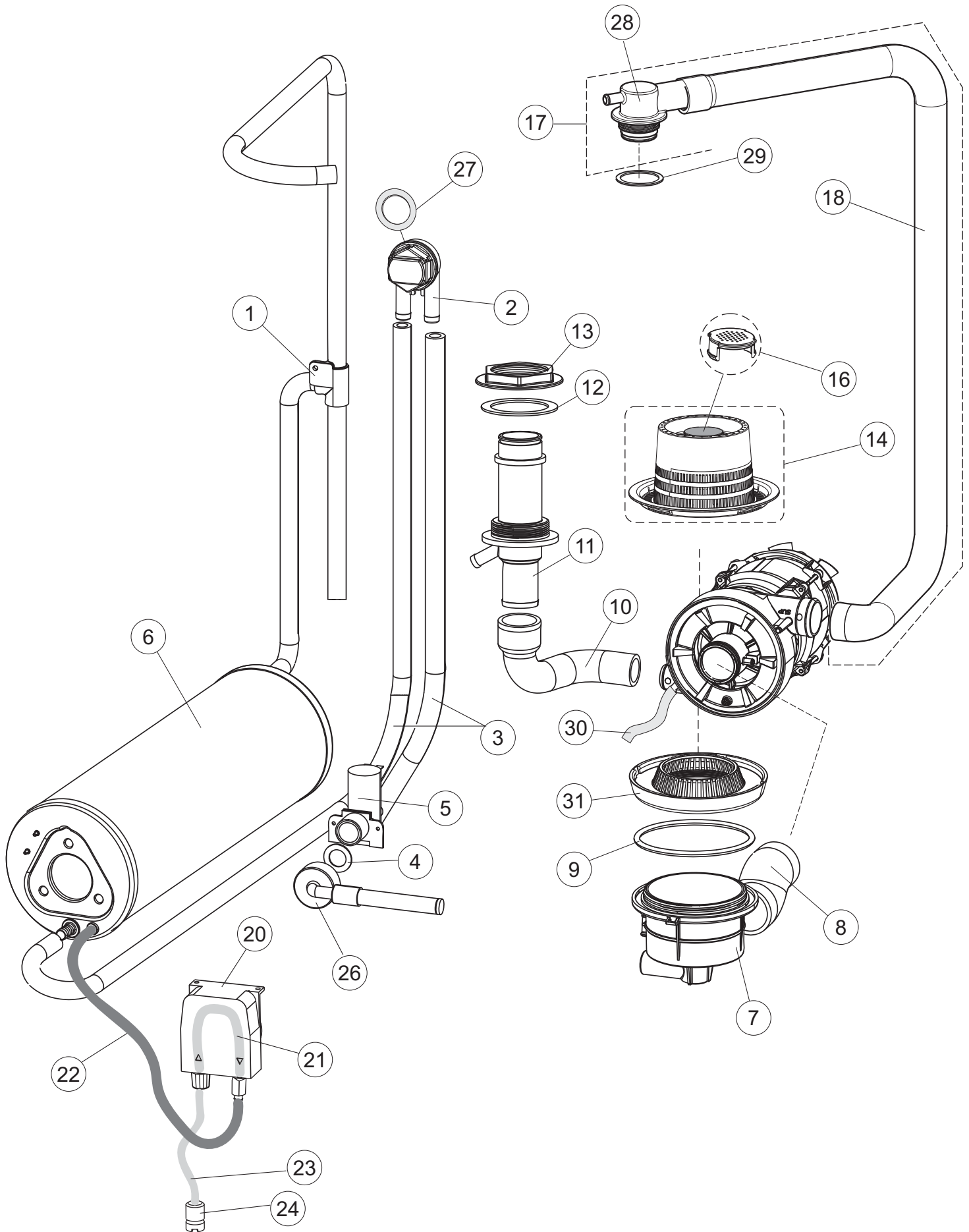
Catálogo de peças de reposição
válido do número de série 3179675 até hoje (31/05/2024)

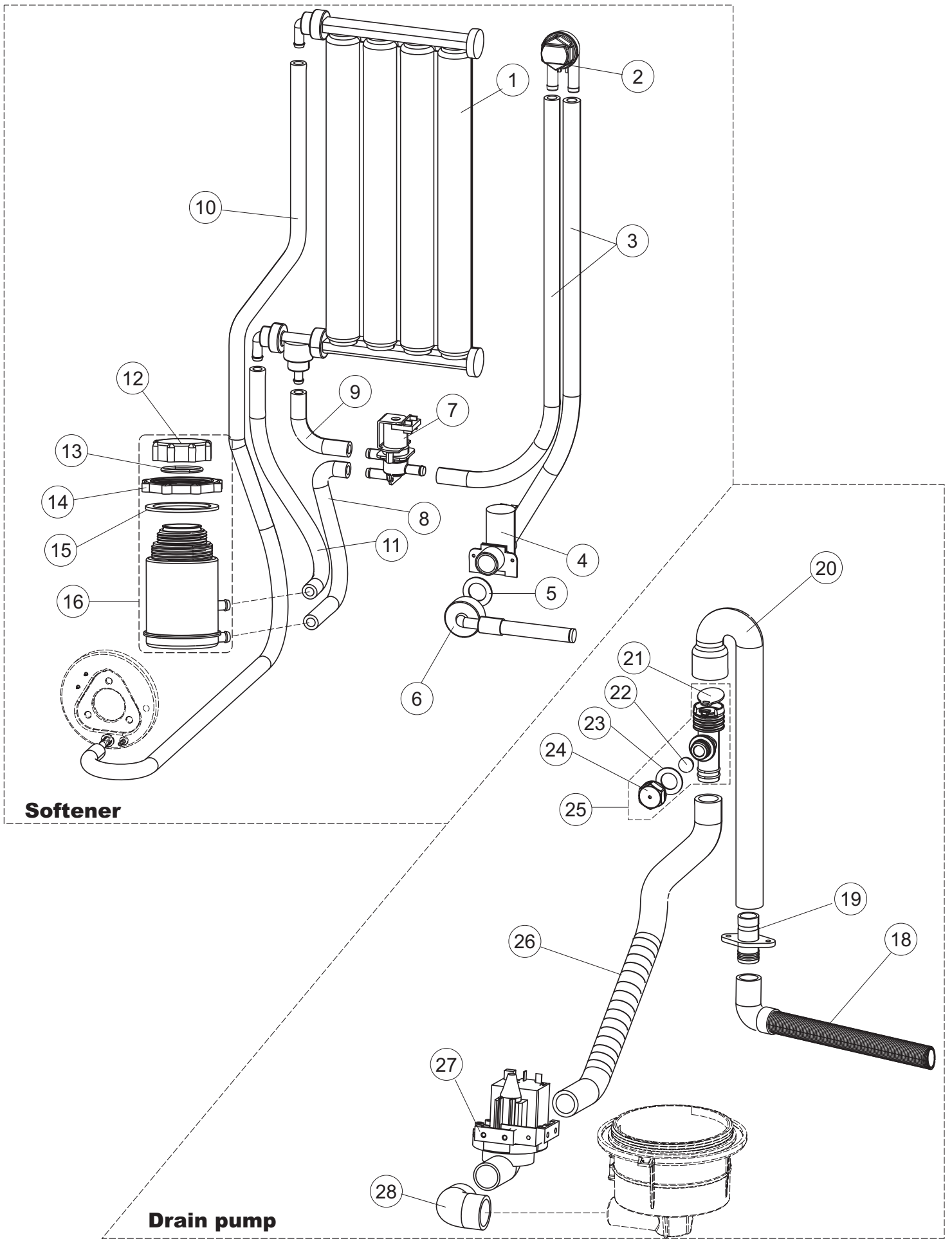
AK900P

1

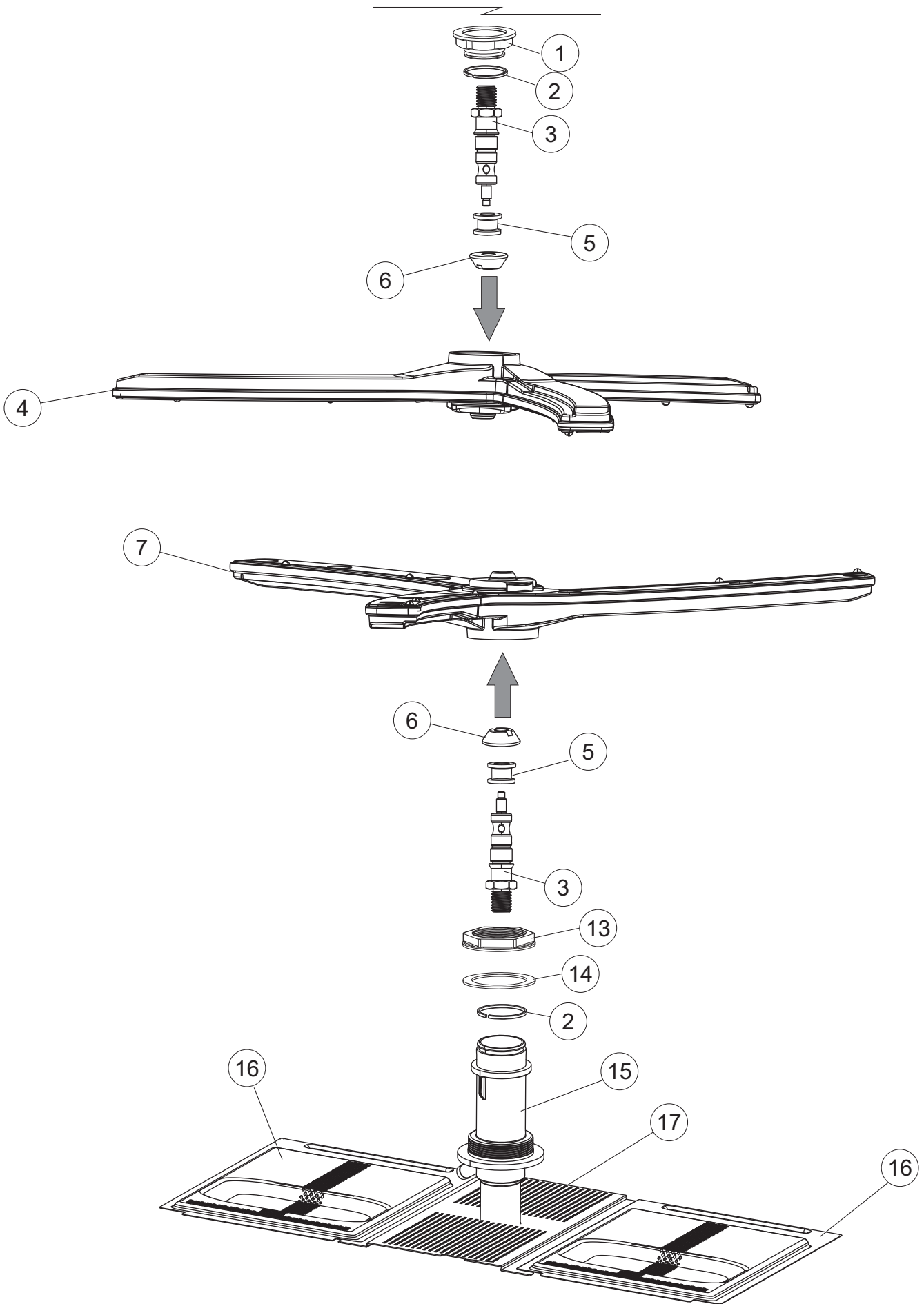




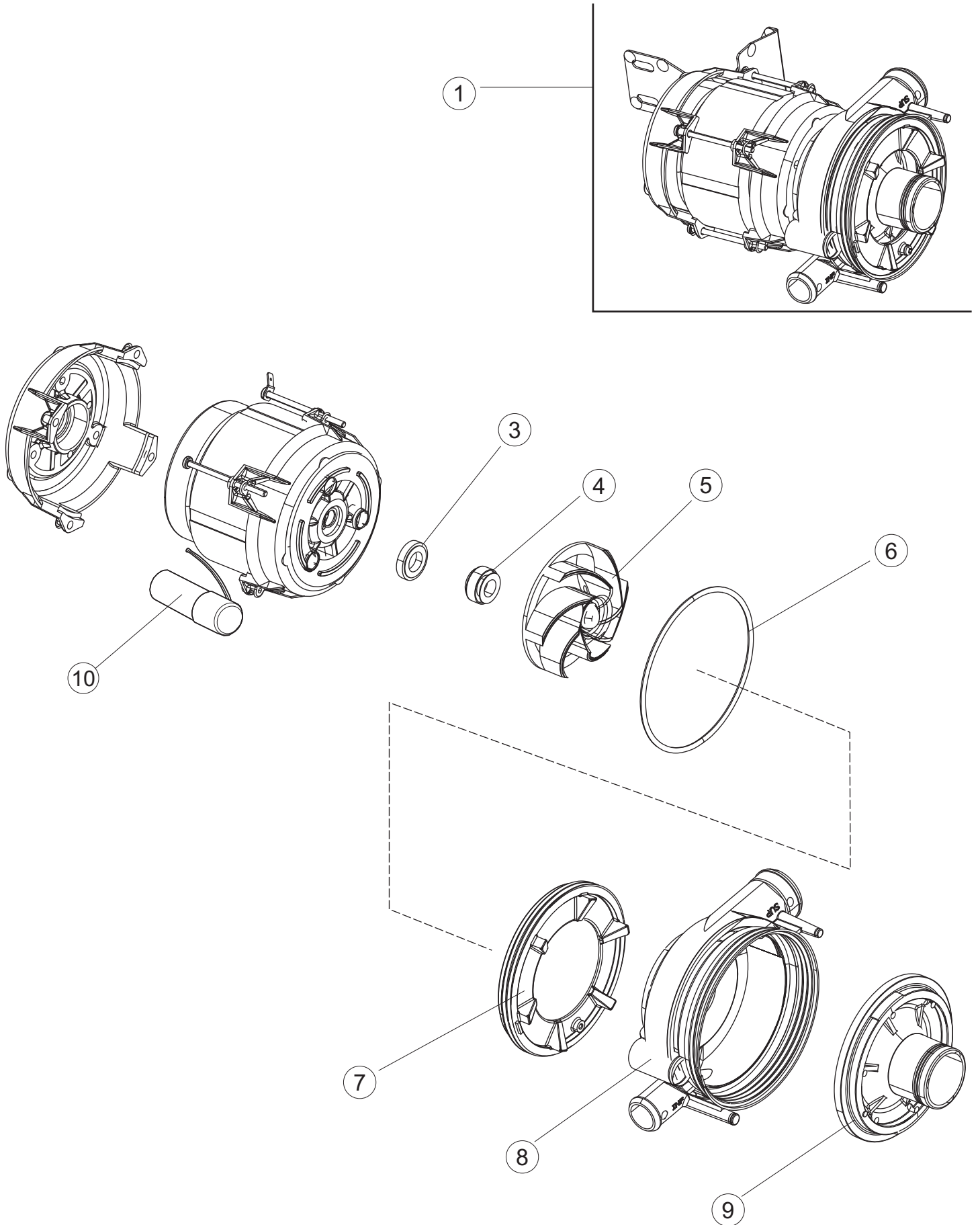




5



6



(*) Recommended spare part.

Page	Spare part position	Spare part code no.	Old code number	Description	U.m.	Price euro
1	1	004368		COVER	NF	
1	2	022171		BACK PANEL	NF	
1	3	035113		SUPPORT BRACKET	NF	
1	4	437081		DOOR GASKET 50/505	NF	
1	5	994012		DOOR LOCK FOR DISHWASHERS	NF	
1	6	417041		DOOR CLOSING CONTACT BETA 50 (S6198)	NF	
1	7	307003		NUT OF TOP DOOR-STOP BAR	NF	
1	8	029838		DOOR	NF	
1	9	325066		DOOR CLOSURE STAKE FOR GLASSWASHERS	NF	
1	10	311032		DOOR BRACKET	NF	
1	11	325036		PIVOT	NF	
1	12	304021		DOOR TIE ROD FOR DISHWASHER (S6323)	NF	
1	13	035112		WIRING PANEL	NF	
1	14	012355		FRONT PANEL	NF	
1	15	030208		PART NUMBER NO LONGER AVAILABLE		
1	16	040147		BASE FRAME LA600	NF	
1	17	461019		HEXAGONAL FOOT ADJUSTABLE FOR DISHWASHER	NF	
1	18	480153		PLUG	NF	
1	19	459006		CHOCK D INT 9 EST 16	NF	
1	20	459004		DRAIN PUMP CHOCK	NF	
1	23	021155		LEFT SIDE PANEL	NF	
1	24	021154		RIGHT SIDE PANEL	NF	
1	30	480084		PLUG	NF	
1	34	449067		SPRING LA600 L=66MM	NF	
1	35	015078		RACK SLIDE SX.	NF	
1	36	015077		PART NUMBER NO LONGER AVAILABLE		
1	45	028117		FIXING PLATE	NF	
1	46	028118		FIXING PLATE	NF	
1	47	325124		PIVOT	NF	
2	1	224031		PRESSURE SWITCH	NF	
2	4	143235		PIPE	MT	
2	5	220011		TERMINAL BLOCK	NF	

(*) Recommended spare part.

Page	Spare part position	Spare part code no.	Old code number	Description	U.m.	Price euro
2	6	H.374339-2		CABLE H07RN-F 5X2.5X2.5MT	NF	
2	7	459005		CABLE-RETAINER	NF	
2	8	74169		HEATING ELEMENT 2100W 230V	NF	
2	9	437086		PACKING OF THE TANK RESISTANCE	NF	
2	10	236047		SAFETY TANK THERMOSTAT 95C	NF	
2	11	236061		THERMOSTAT 127	NF	
2	12	456002		O-RING	NF	
2	13	74086		HEATING ELEMENT	NF	
2	14	69870		BOILER HEATING ELEMENT PROTECTION	NF	
2	15	69871		PROBE HOLDER	NF	
2	16	028105		FIXING PLATE	NF	
2	17	231016		TEMPERATURE PROBE	NF	
2	18	211075		MAGNETIC HOOD MICROSWITCH	NF	
2	19	214114		TRANSPARENT PROTECTION FOR ELECTRIC INSTALLATION FOR DISHWASHER	NF	
2	20	121993		FILTER AID DISPENSER	NF	
2	21	143194		PIPE	M	
2	22	143258		"SANTOPRENE" PIPE	NF	
2	23	209043		DETERGENT DOSING PUMP	NF	
2	24	999348		DETERGENT TANK FITTING	NF	
2	25	984007		WATER LEVEL CONTROL	NF	
2	26	437019		PACKING FOR AIR TRAP OF PRESSURE SWITCH	NF	
2	27	456020		O-RING	NF	
2	28	468029		AIR TRAP CONNECTION OF PRESSURE SWITCH	NF	
2	30	056657		CONTROL ADHESIVE INTERFACE AK900 APACH	NF	
2	31	211013		FLAT WIRE	NF	
2	32	74904		CONTROL KEYBOARD	NF	
2	33	417119		NUT	NF	
2	34	419036		INTERFACE BOARD DISTANCE KEEPERS	NF	
2	35	215042-9		MAIN BOARD GET50.2 ELETTRONICA J	NF	
2	36	228010		FUSE	NF	
2	39	229042		CONTACTOR 230V GMC-9M/4 50/60HZ	NF	
2	40	461028		FOOT BOARD SUPPORT	NF	

(*) Recommended spare part.

Page	Spare part position	Spare part code no.	Old code number	Description	U.m.	Price euro
2	49	214108		PVC CURTAIN FOR ELECTRIC PROTECTION	NF	
2	54	999351		GROUP STOPPED TANK HEATER	NF	
2	58	236052		THERMOSTAT 90+/-3C	NF	
3	1	143275		PART NUMBER NO LONGER AVAILABLE		
3	2	144030		NO RETURN VALVE	NF	
3	3	143004		PIPE	M	
3	4	437041		GASKET	NF	
3	5	240011		FILL VALVE	NF	
3	6	104060		BOILER	NF	
3	7	136030		ASPIRATION AND DRAIN BODY	NF	
3	8	127082		DELIVERY WASH HOSE	NF	
3	9	456076		O-RING	NF	
3	10	127085		DELIVERY WASH HOSE	NF	
3	11	69016		MAINFOLD	NF	
3	12	437102		GASKET	NF	
3	13	429073		RING NUT	NF	
3	14	121135		SUCTION FILTER UNIT	NF	
3	16	480162		PLUG	NF	
3	17	115154		MAINFOLD	NF	
3	18	127192		DELIVERY HOSE	NF	
3	20	209042		DOSING PUMP	NF	
3	21	143261		HOSE	NF	
3	22	143005		LINEN RUBBER PIPE 5X12 - BLACK	M	
3	23	143291		PIPE	M	
3	24	121993		FILTER AID DISPENSER	NF	
3	26	143270		INLET WRAS PIPE	NF	
3	27	437080		GASKET	NF	
3	28	115164		SUPPORT ARMS WASH / RINSE	NF	
3	29	437113		GASKET	NF	
3	30	H.165168		PIPE	M	
3	31	429072		RING NUT	NF	
4	1	117009		WATER SOFTNER	NF	

(*) Recommended spare part.

Page	Spare part position	Spare part code no.	Old code number	Description	U.m.	Price euro
4	2	144030		NO RETURN VALVE	NR	
4	3	143004		PIPE	MT	
4	4	240016		SOLENOID VALVE	NR	
4	5	437041		GASKET	NR	
4	6	143270		INLET WRAS PIPE	NR	
4	7	999288		SOLENOID VALVE	NR	
4	8	127138		SLEEVE	NR	
4	9	127140		SLEEVE	NR	
4	10	127137		SLEEVE	NR	
4	11	127139		SLEEVE	NR	
4	12	480005		SALT CONTAINER SCREW CAP	NR	
4	13	456052		O-RING	NR	
4	14	429011		RING NUT	NR	
4	15	437034		GASKET	NR	
4	16	406998		SALT CONTAINER UNIT	NR	
4	18	143137		DRAIN HOSE	NR	
4	19	468152		DRAIN CONNECTION FOR DISHWASHERS SERIE	NR	
4	20	127136		SLEEVE	NR	
4	21	499092		DIAPHRAGM VALVE VENT	NR	
4	22	476008		SPHERE	NR	
4	23	437083		GASKET	NR	
4	24	468199		PIPE FITTING	NR	
4	25	144992		NO RETURN VALVE	NR	
4	26	127158		SLEEVE	NR	
4	27	999364		DRAIN PUMP + BRACKET 220/240-50HZ	NR	
4	28	127134		SUCTION PIPE	NR	
5	1	429079		RING NUT	NR	
5	2	303040		RING	NR	
5	3	325129		PIVOT	NR	
5	4	990165		RINSE AND WASH ARM	NR	
5	5	308039		PLASTIC ARM BUSH	NR	
5	6	454007		PIN	NR	3,19

(*) Recommended spare part.

Page	Spare part position	Spare part code no.	Old code number	Description	U.m.	Price euro
5	7	990164		RINSE AND WASH ARM	NI	
5	13	429073		RING NUT	NI	
5	14	437102		GASKET	NI	
5	15	69016		MAINFOLD	NI	
5	16	121171		STAINER	NI	
5	17	033496		CENTRAL CROSS ARM FOR SPRING HOOKING	NI	
6	1	130968		WASHING UNIT LA600 50HZ	NI	
6	3	141008		WASPUMP SHAFT SEAL	NI	
6	4	141009		WASPUMP SHAFT SEAL	NI	
6	5	73076		ELECTROPUMP IMPELLER 73048 (3235)	NI	
6	6	456078		O-RING	NI	
6	7	429074		RING NUT	NI	
6	8	73052		ELECTROPUMP HOUSING	NI	
6	9	73051		PLUG	NI	
6	10	73055		CAPACITOR	NI	