

2

BRAVILOR BONAMAT

Thermal Brewer Aurora

EN Operator manual



700.403.712C (EN)

GTBSH-001	GTBSH-002	GTBSH-003	GTBSH-004	
GTBTH-001	GTBTH-002	GTBTH-003	GTBTH-004	
GTBSL-001	GTBSL-002	GTBSL-003	GTBSL-004	GTBSH-005
GTBTL-001	GTBTL-002	GTBTL-003	GTBTL-004	



English



Information



Table of contents



Safety regulations



User manual



Installation



Programming



Descaling



Wait



Safety gloves



Safety goggles



Accessories



Hot liquid

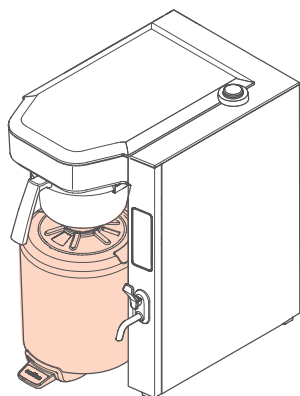


FCC and IC Declarations

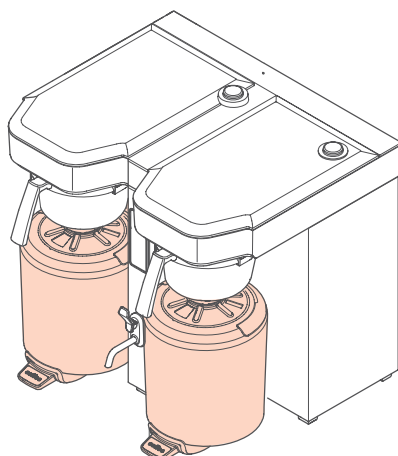


Authorised electrician

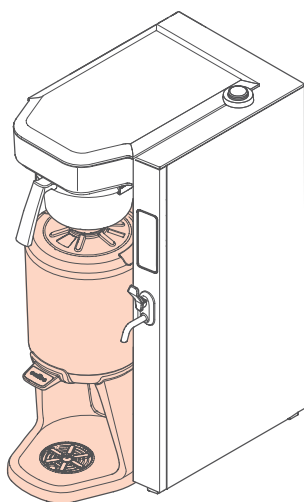
***Please read the enclosed Safety Manual carefully.
If the Safety Manual is missing, please visit www.bravilor.com.***



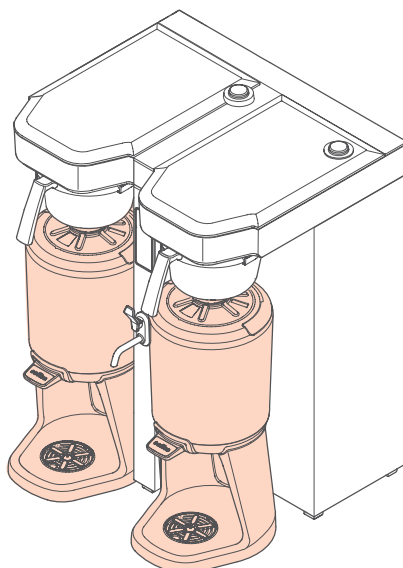
Aurora Single Low



Aurora Twin Low



Aurora Single High



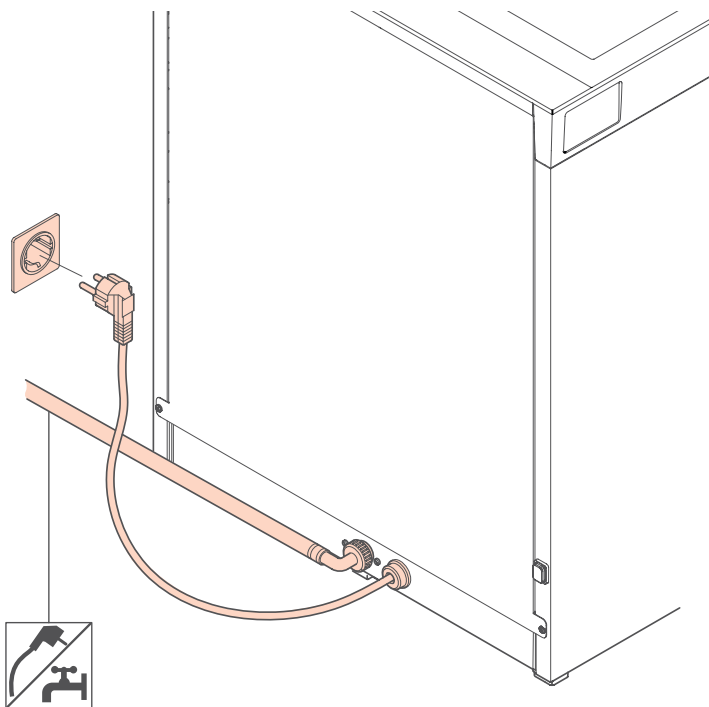
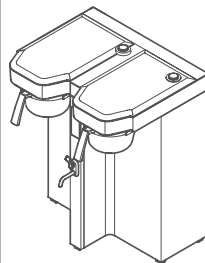
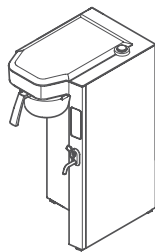
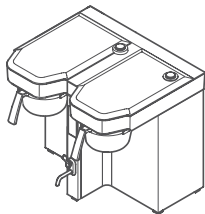
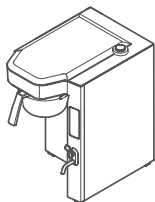
Aurora Twin High

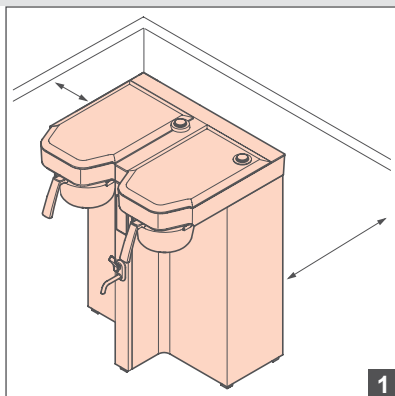
 _____ **7**

P _____ **9**

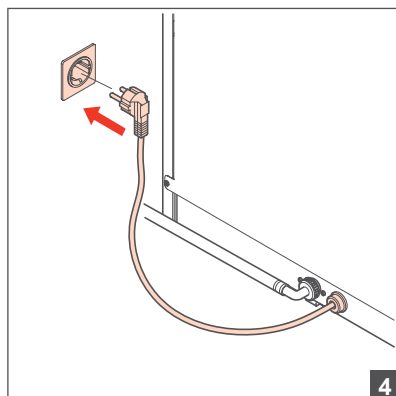
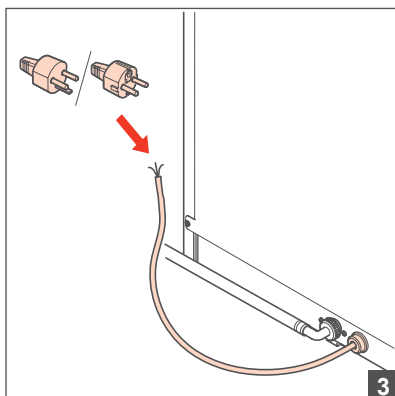
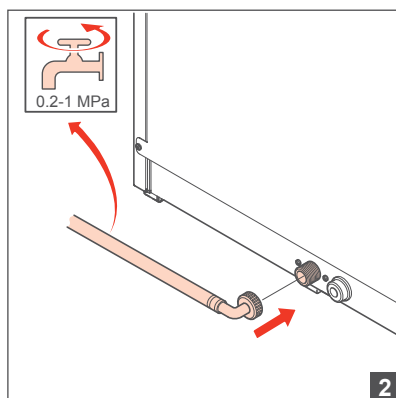
 _____ **53**

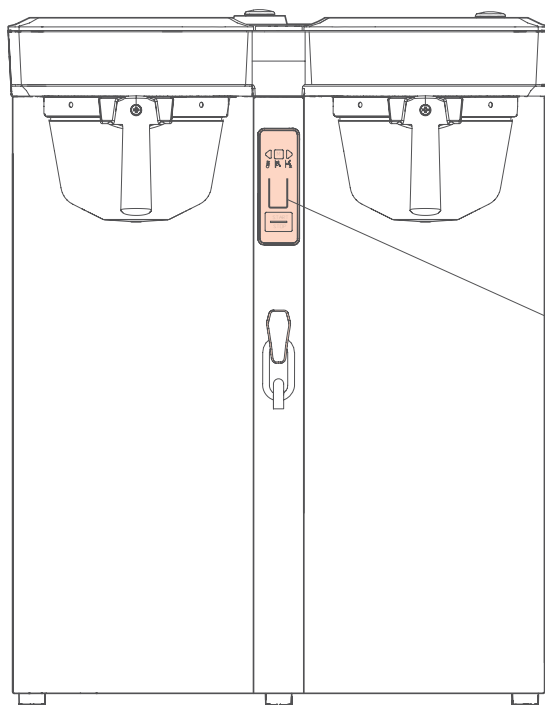
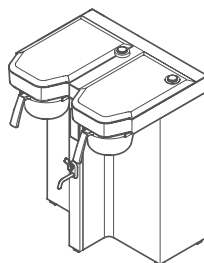
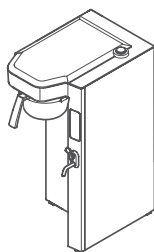
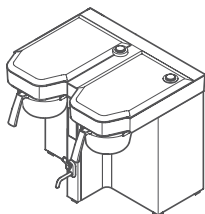
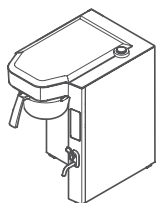
FC _____ **65**





- Waterpressure 0,2-1 MPa (29-145 psi)
- Minimum waterflow:
 - TB Aurora Single = 1,7 gal/min
6,4 L./min
 - TB Aurora Twin = 2,2 gal/min
8,3 L./min





DISPLAY

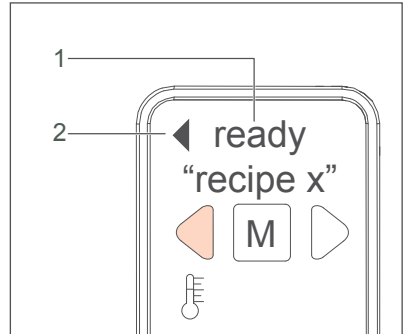
The display helps to communicate with the machine, with buttons and a text window.

Text window

The text window (1) can show:

- menus
- items in the menu
- settings
- commands
- automatic procedures

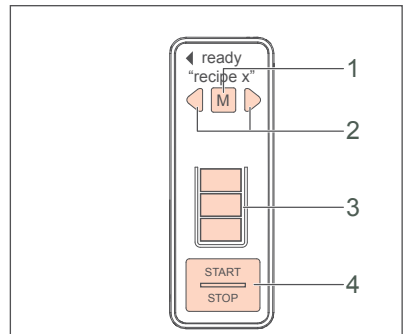
If you have the twin machine, the black arrow (2) indicates whether you operate the left or the right brewer.



Buttons

With the buttons you can navigate through the menus of the machine.

1. MENU button
2. LEFT/RIGHT button
3. VOLUME button
4. START/STOP



Menus

The basic operation has menus for:

- the selection of the recipe
- how to change the amount of coffee you brew
- start or stop the machine

In the operator menus, you can define your preferences. In the menu you can:

- build, change, download or upload recipes
- change the setting of the temperature, calendar, time, machines
- change the setting of the programs of the machine, such as:
 - Eco
 - Water filter
 - Descaling
 - Cleaning

Navigation

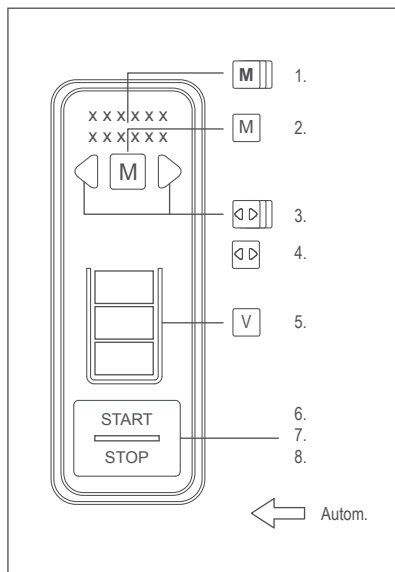
Touch the buttons for navigation.

Two different ways of touching the button are defined in this manual:

- Press a button: briefly touch the button.
- Hold a button: touch the button for at least 1 seconds.

Each different way of touching a button results in a different action in the display navigation.

Button Commands



1. Hold the MENU button 1 second to confirm a choice in a menu level.
2. Press the MENU button briefly to proceed to the next menu level.
3. Hold the LEFT/RIGHT button to switch brewer (only in a TWIN version).
4. Press the LEFT/RIGHT button briefly to scroll through the options of the menu level.
5. Press the VOLUME button briefly to change the volume you brew.
6. Hold the START/STOP button to start brewing.
7. Hold or press the START/STOP button to abort the brewing process.
8. Press the START/STOP button briefly to go back one menu level.

Automatic procedures

White arrows in the scheme indicate automatic procedures, performed by the machine.

How to enter a special characters

The current set of character that you use, determines how you can change to the special character set.

Press the VOLUME button 3 times if you were using the uppercase character set.

Press the VOLUME button 2 times if you were using the lowercase character set.

Press the VOLUME button 1 time if you were using the numbers and signs character set.

How to enter a space in the text line

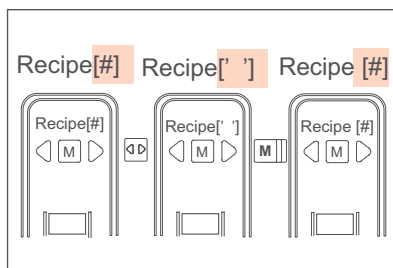
Scroll with the LEFT/RIGHT button to last position in the set of character, until the display shows ' '.

Recipe[']

Press the MENU button to confirm your choice.

The indicator [] will automatically move to the next position: Recipe [#]

Recipe [#]



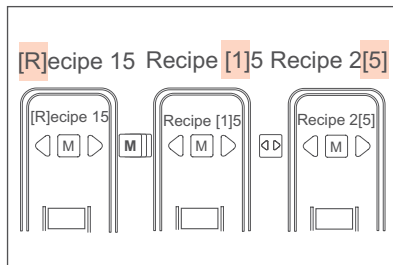
How to move to the right position in the text line

If you want to change a single character in a text line, you can move the [] indicator to the position of the character you want change. By default, the [] indicator starts at the first position in the text line.

[R]ecipe 15

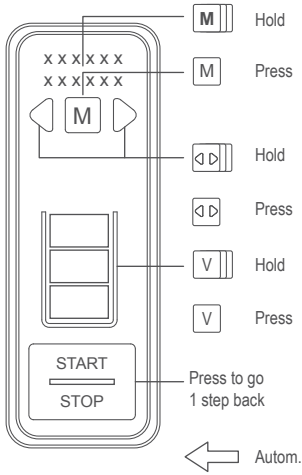
Press the MENU button to move the [] indicator one step. Repeat this action, until the [] indicator is at the position of the character you want to change.



Recipe [1]5



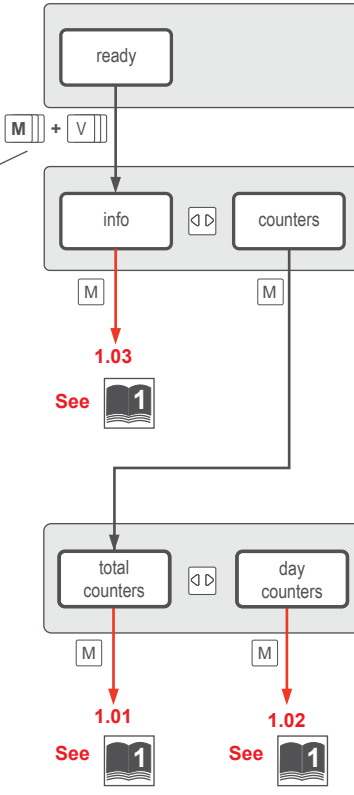
Use the LEFT/RIGHT button to scroll to the character that you want on this position. Hold the

MENU button to confirm. The indicator [] will automatically move to the next position: Recipe 2[5]

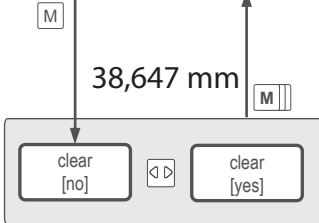
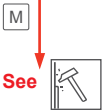
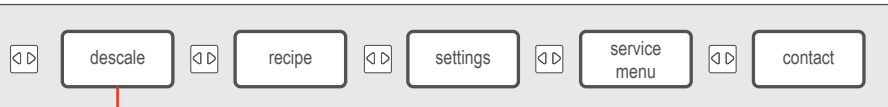


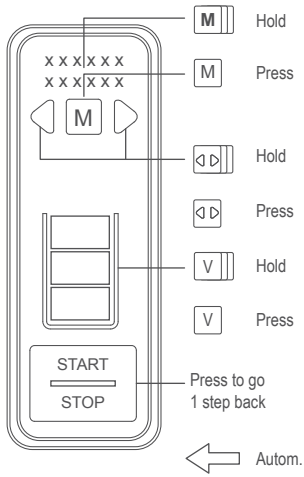
-  Twin versions
-  Optional or for low versions only
- ” xx ”** Fixed value
- [xx]** You can change this value

Hold both buttons at the same time

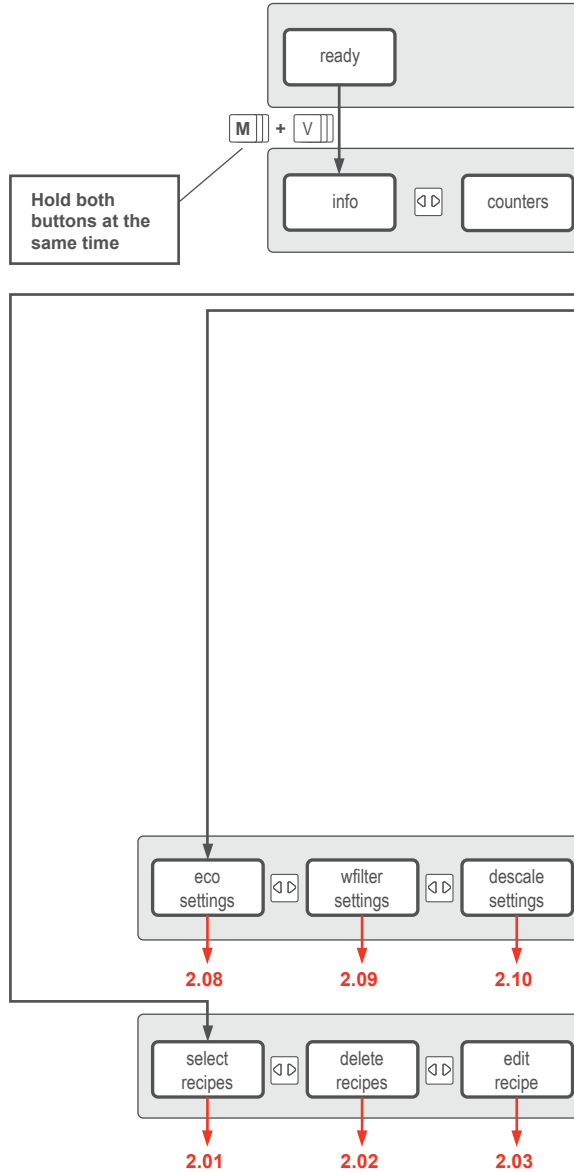


2 Operator menu: 1/2

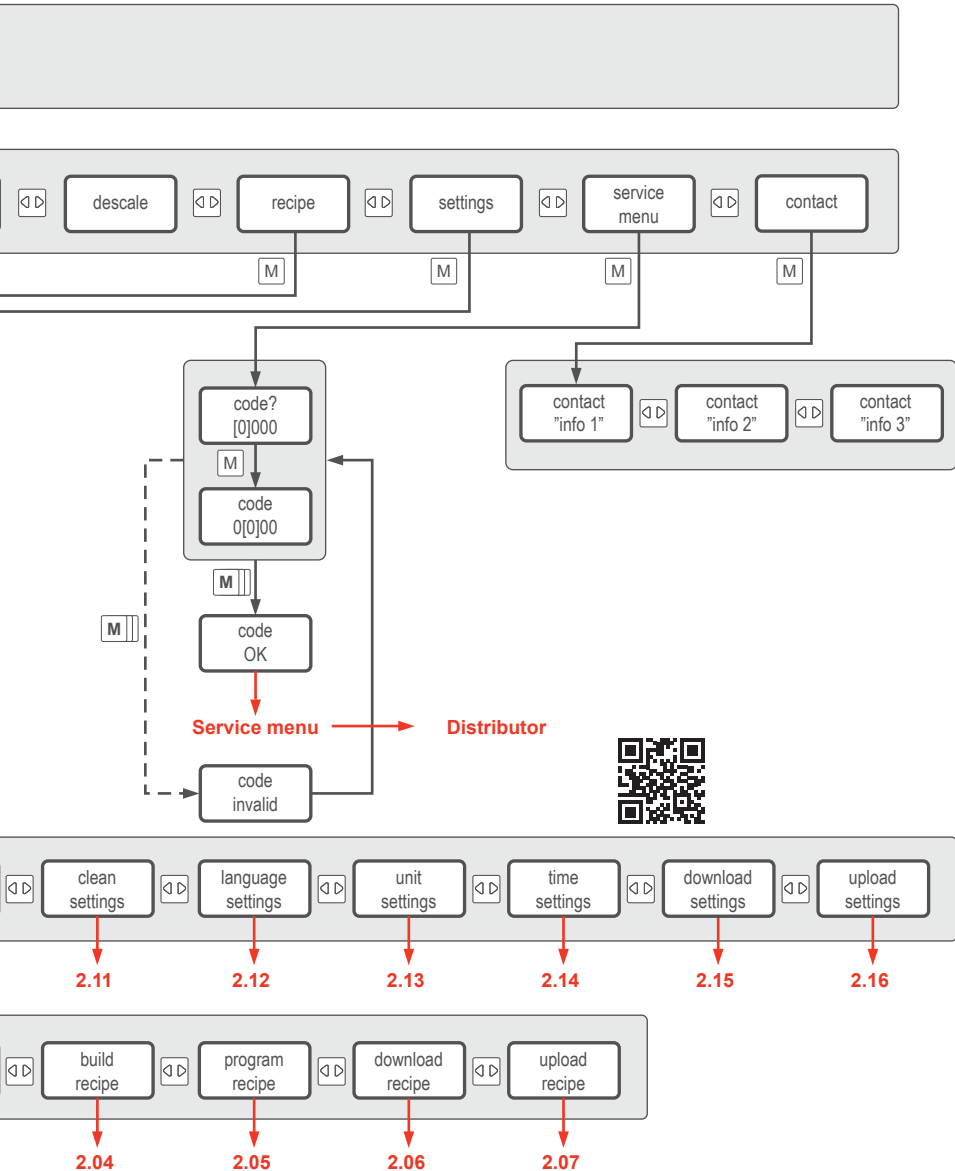


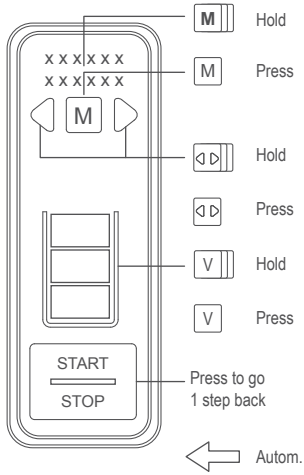


- Twin versions
- Optional or for low versions only
- ” xx ” Fixed value
- [xx] You can change this value



2 Operator menu: 2/2

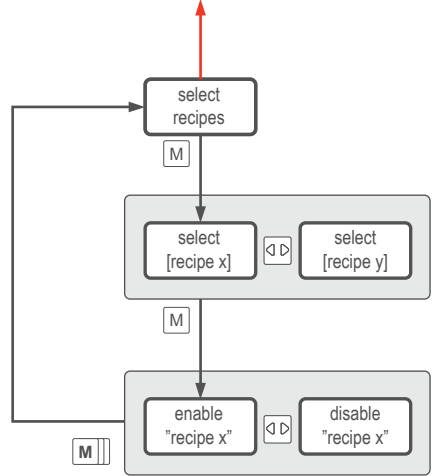




- Twin versions
- Optional or for low versions only
- ” xx ” Fixed value
- [xx] You can change this value

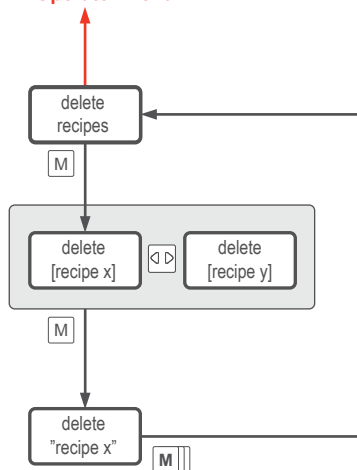
2.01 Select recipe menu

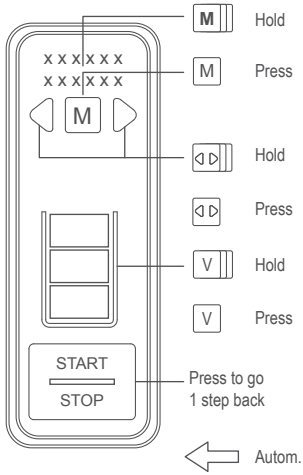
See 2.2 Operator menu 2/2



2.02 Delete recipe menu

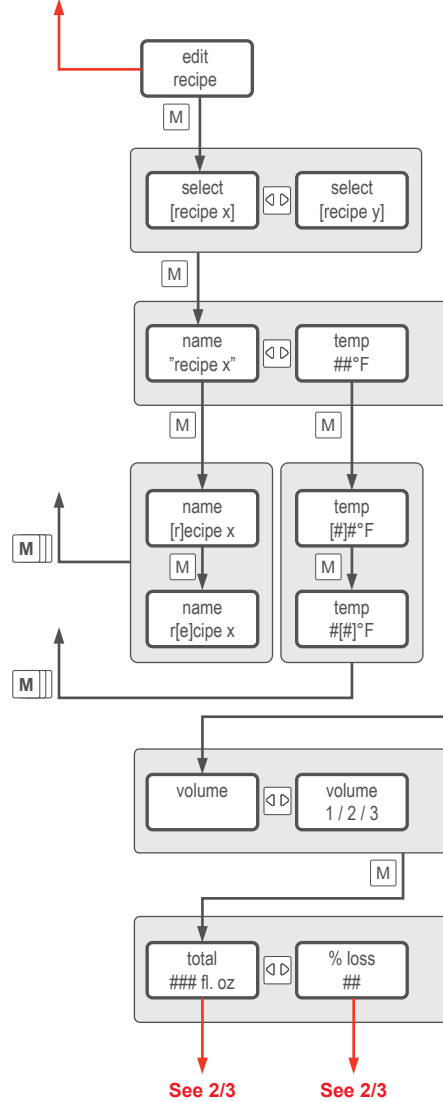
See 2.2 Operator menu 2/2



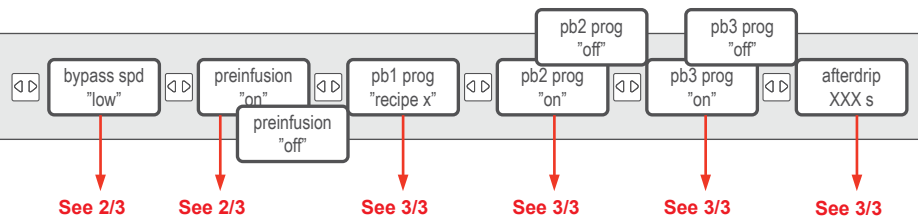
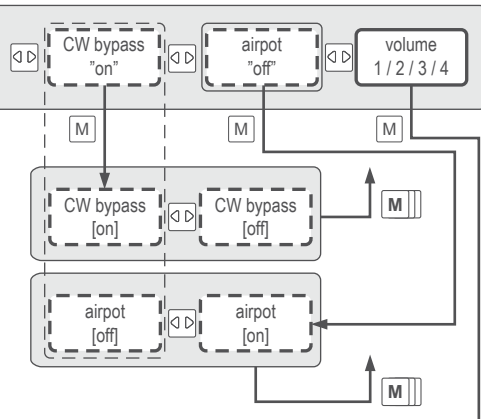


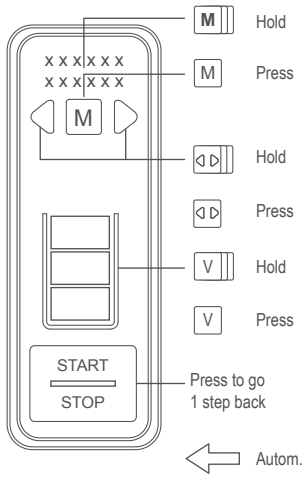
- Twin versions
- Optional or for low versions only
- ” xx ” Fixed value
- [xx] You can change this value

See 2 Operator menu 2/2



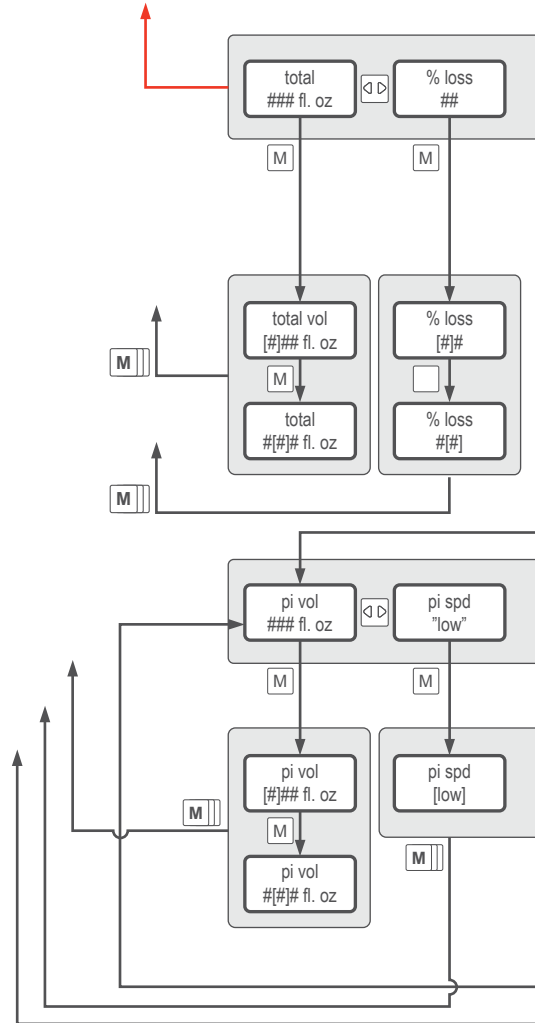
2.03 Edit recipe menu: 1/3



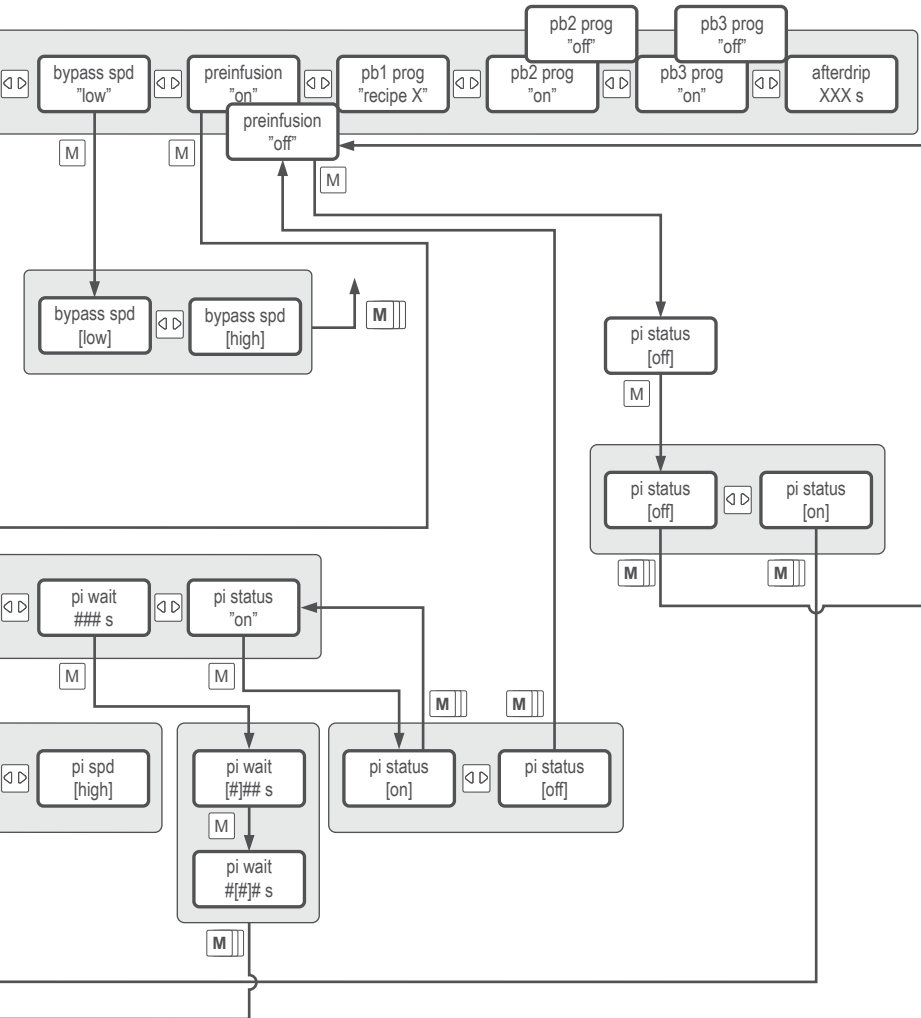


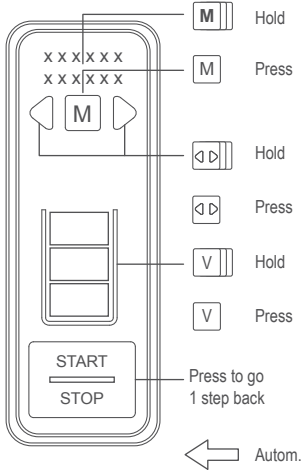
- Twin versions
- Optional or for low versions only
- ” xx ” Fixed value
- [xx] You can change this value

See 2.03 Operator menu 1/3

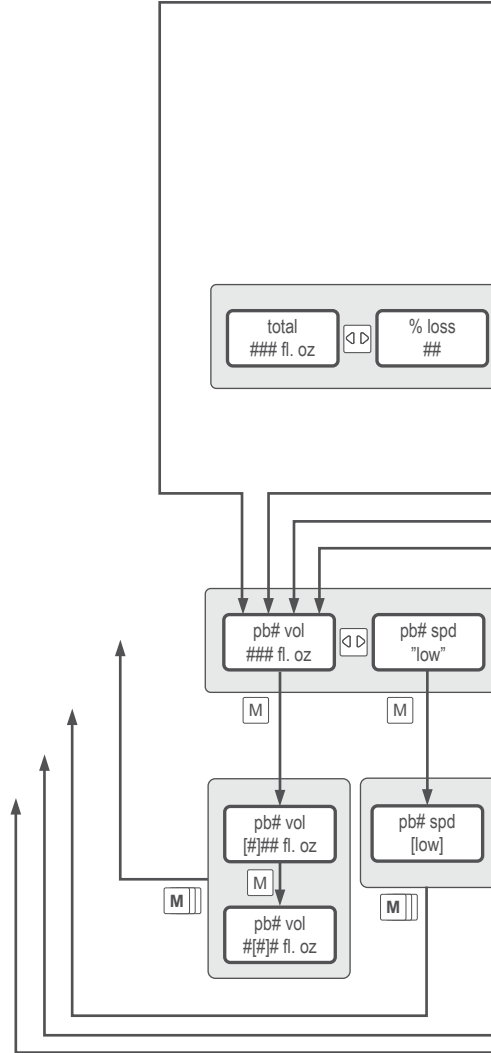


2.03 Edit recipe menu: 2/3

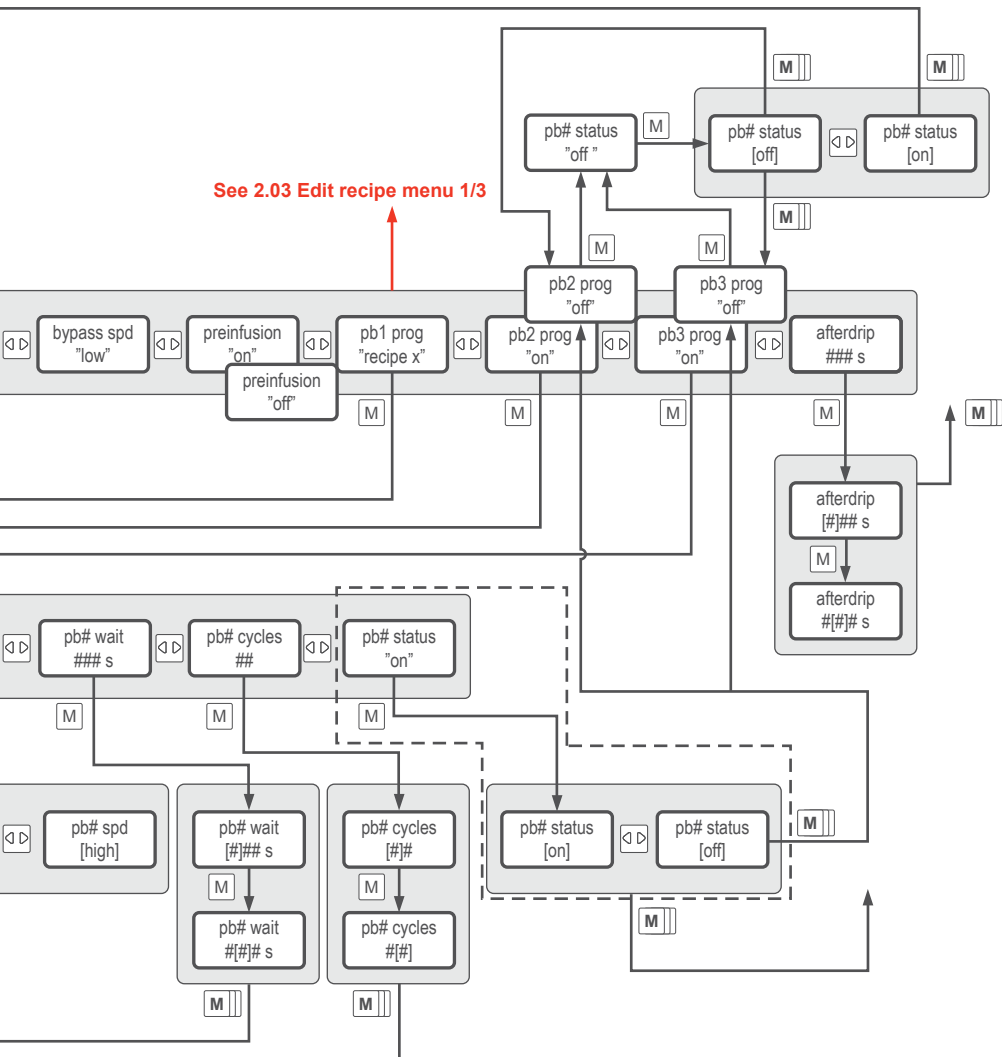


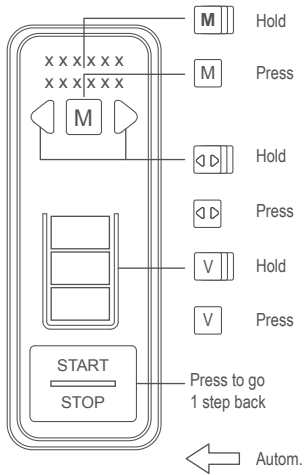


- Twin versions
- Optional or for low versions only
- ” xx ” Fixed value
- [xx] You can change this value



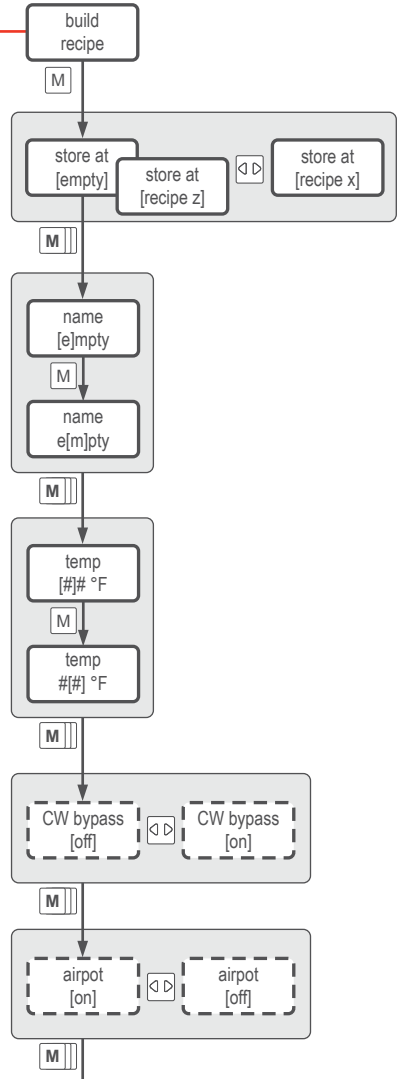
2.03 Edit recipe menu: 3/3



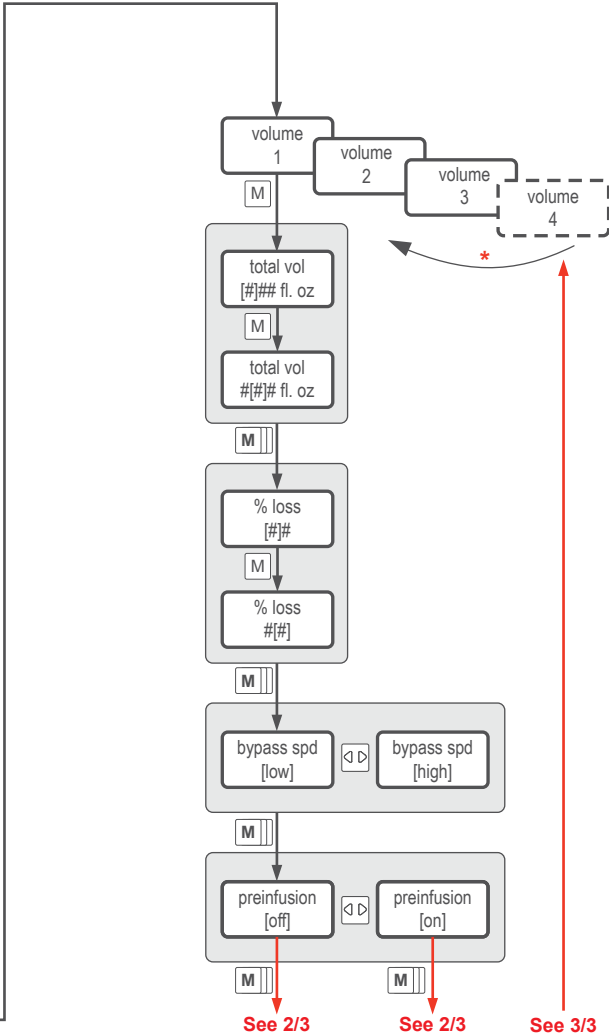


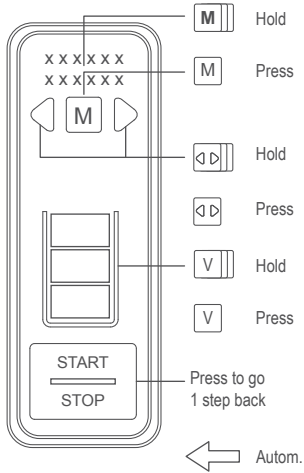
- Twin versions
- Optional or for low versions only
- ” xx ” Fixed value
- [xx] You can change this value
- * Repeat the steps for all volumes

See 2 Operator menu 2/2

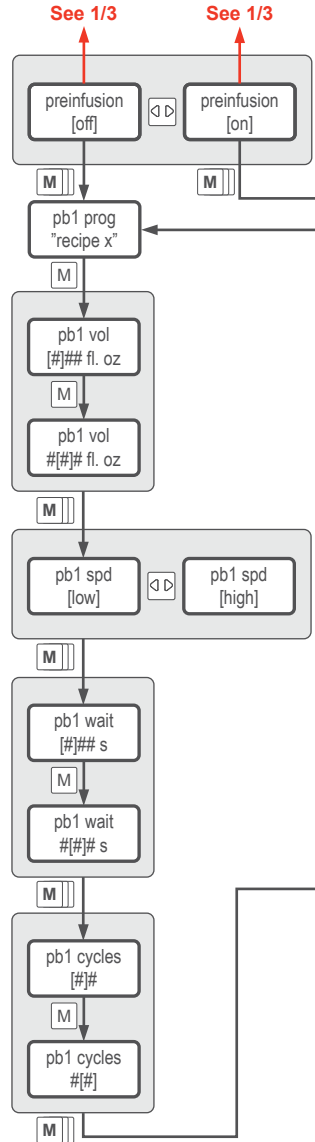


2.04 Build recipe menu : 1/3

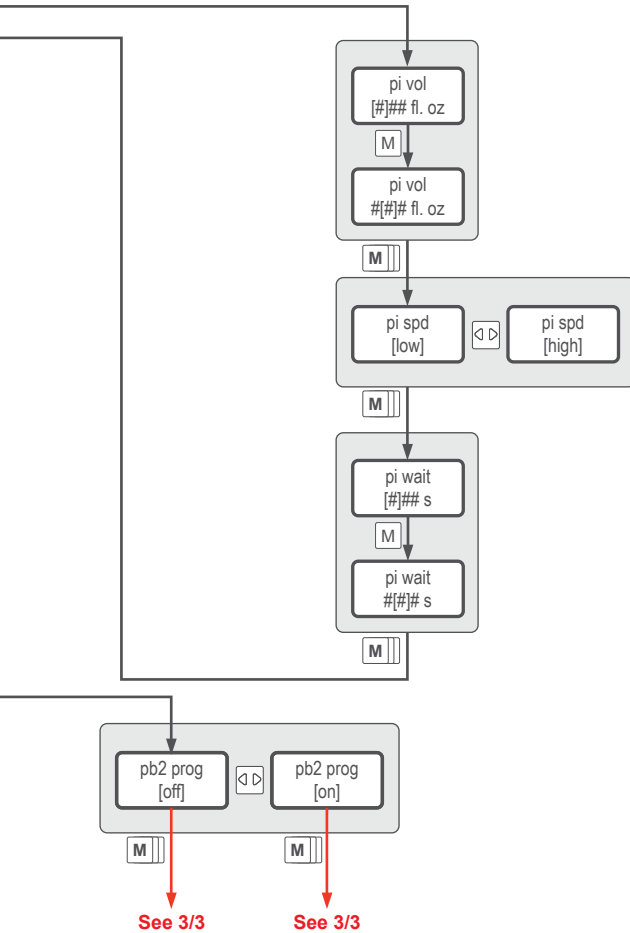


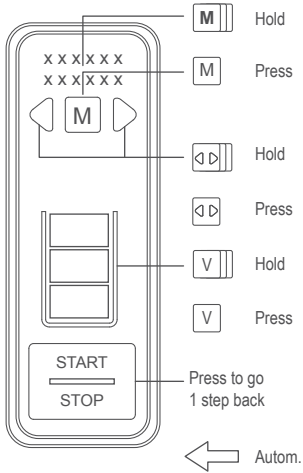


- Twin versions
- Optional or for low versions only
- ” xx ” Fixed value
- [xx] You can change this value

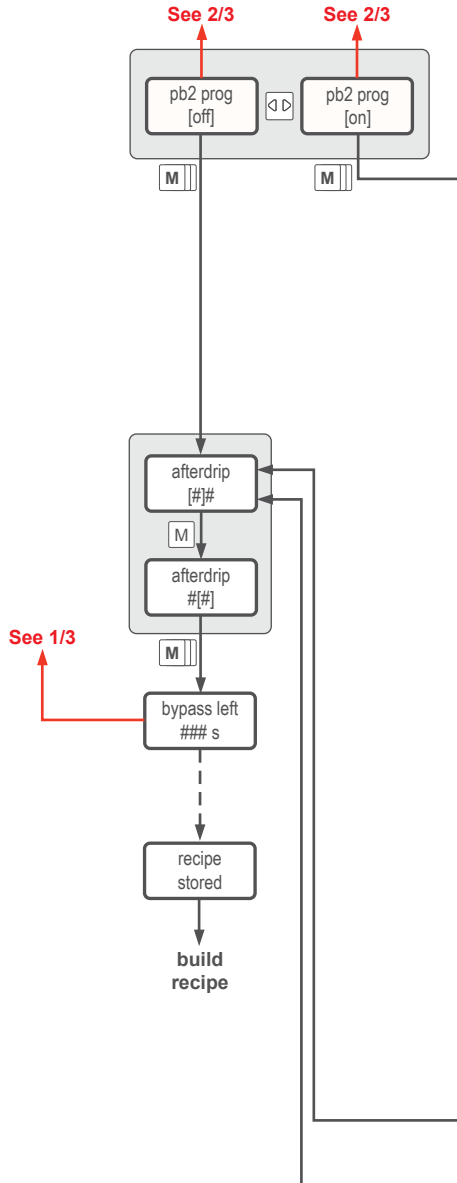


2.04 Build recipe menu : 2/3

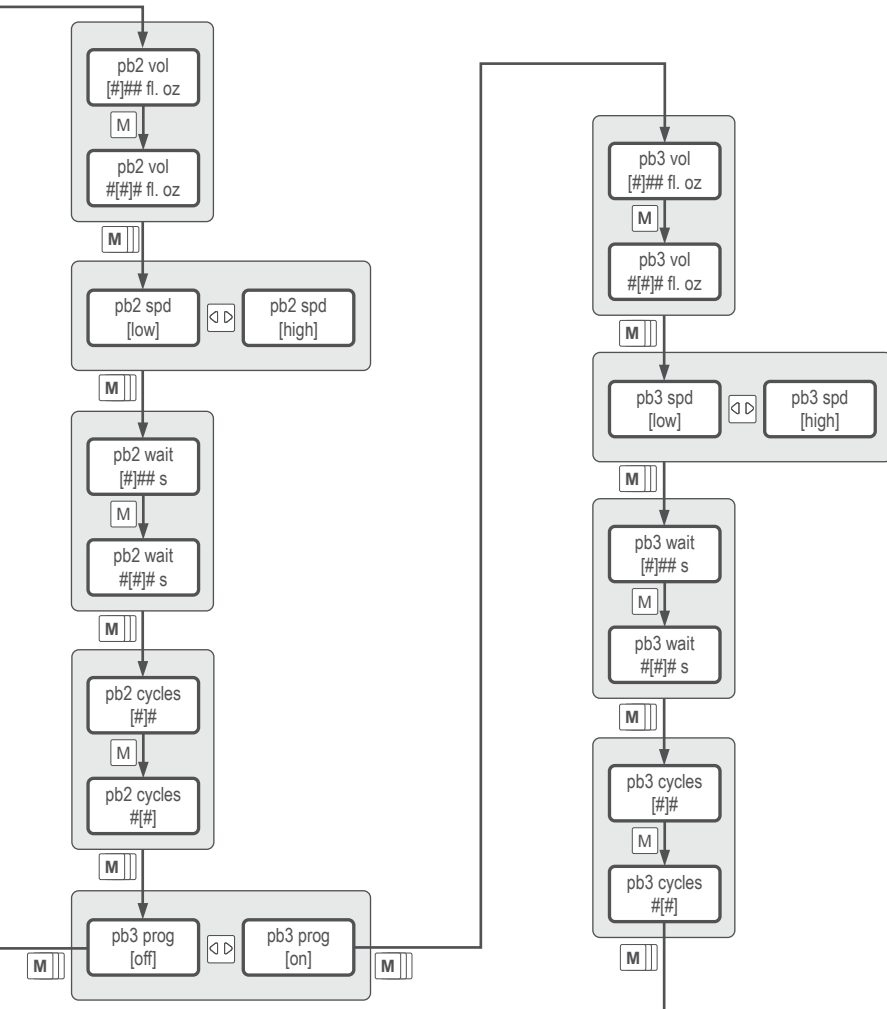


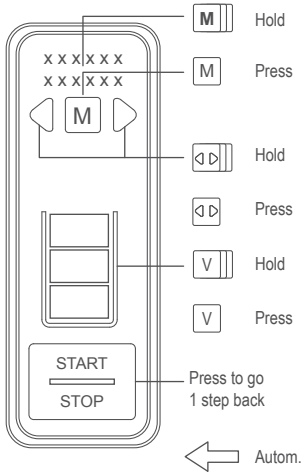


- Twin versions
- Optional or for low versions only
- ” xx ” Fixed value
- [xx] You can change this value



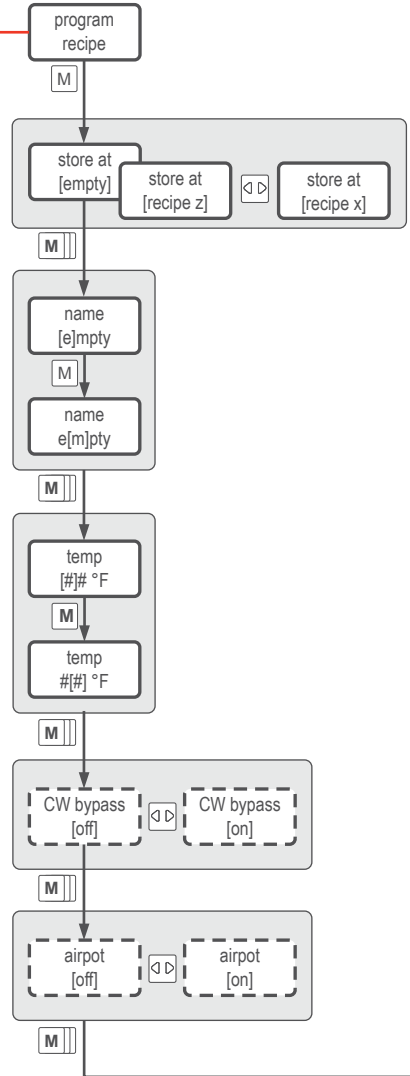
2.04 Build recipe menu: 3/3



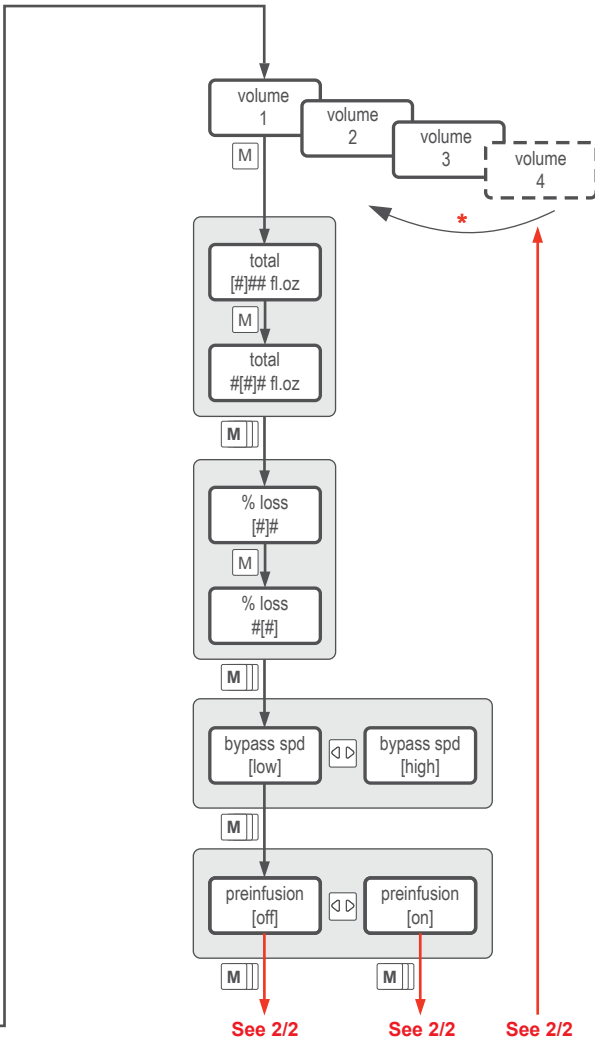


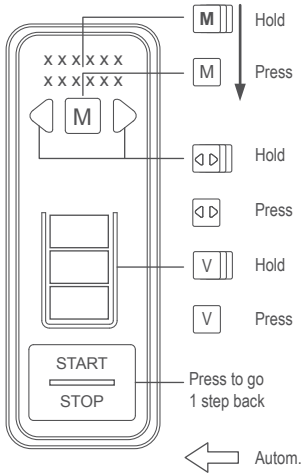
- Twin versions
- Optional or for low versions only
- ” xx ” Fixed value
- [xx] You can change this value
- ↻ Repeat the steps for all volumes

See 2 Operator menu 2/2

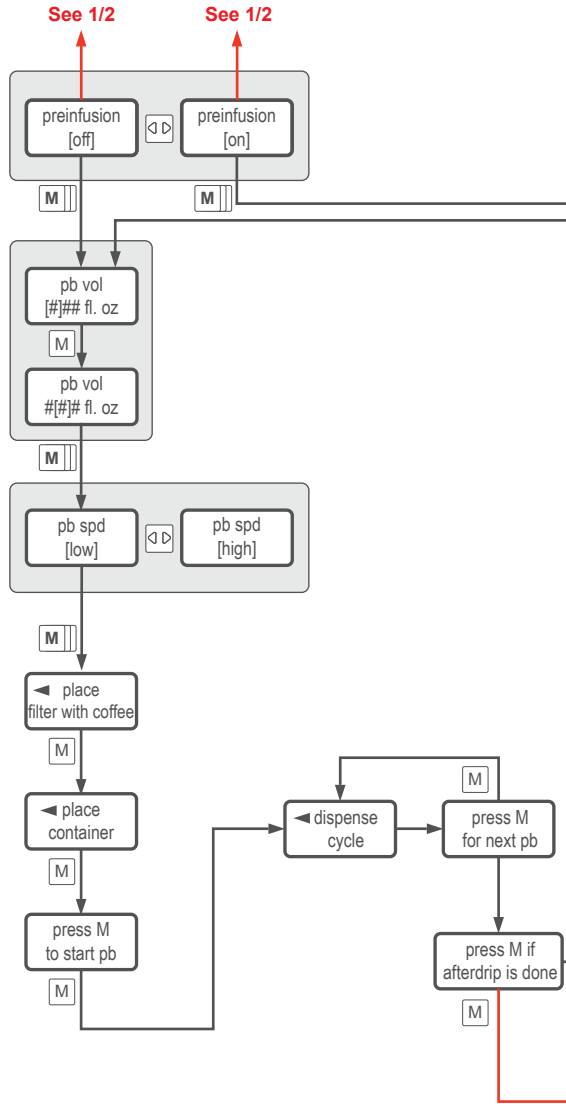


2.05 Program recipe menu: 1/2

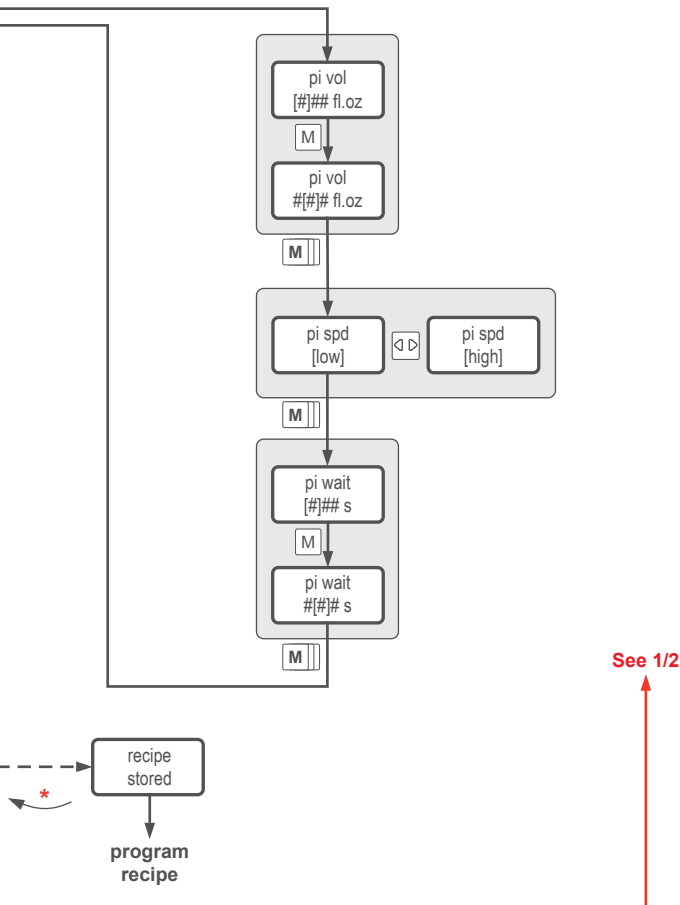


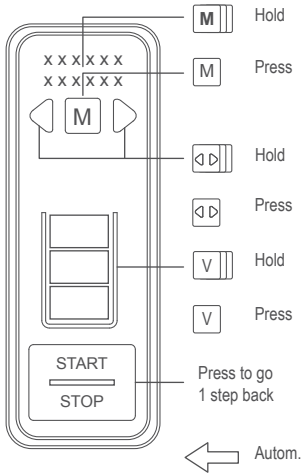


- Twin versions
- Optional or for low versions only
- ” xx ” Fixed value
- [xx] You can change this value
- * Repeat the steps for all volumes

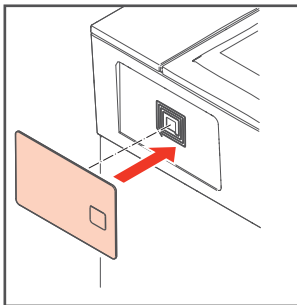


2.05 Program recipe menu: 2/2



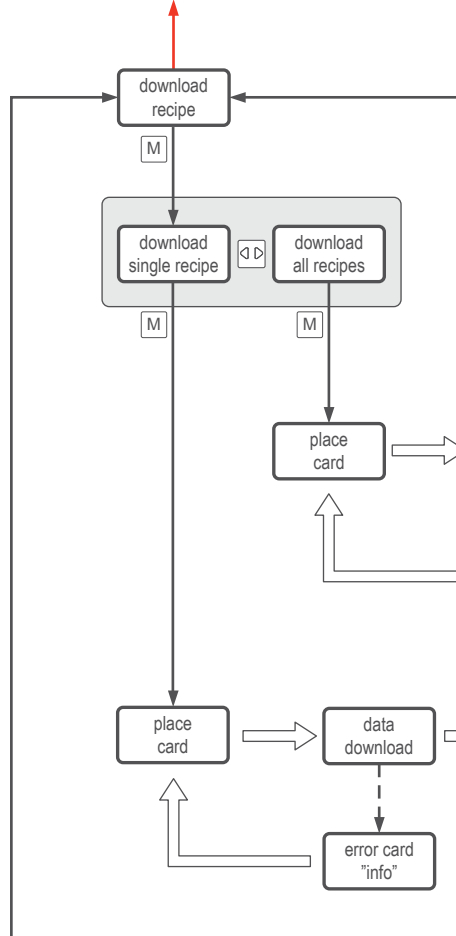


- Twin versions
- Optional or for low versions only
- ” xx ” Fixed value
- [xx] You can change this value

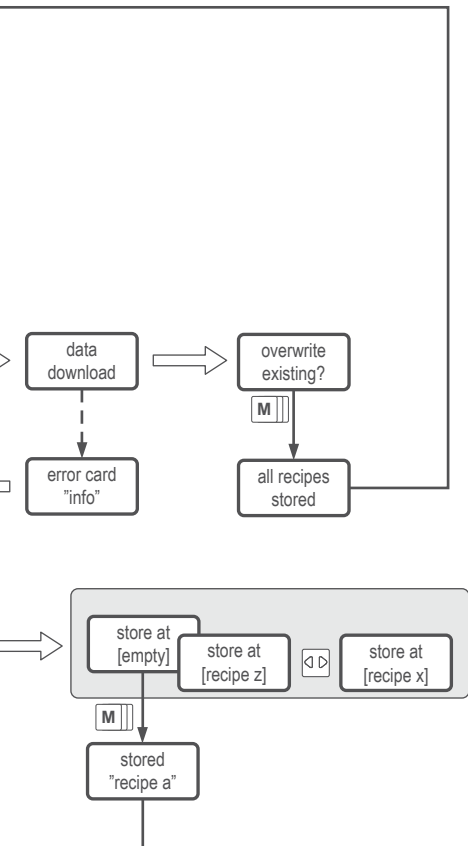


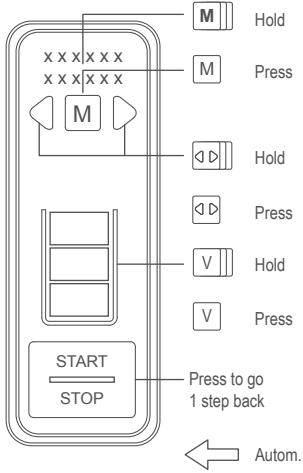
To upload or download data

See 2 Operator menu 2/2

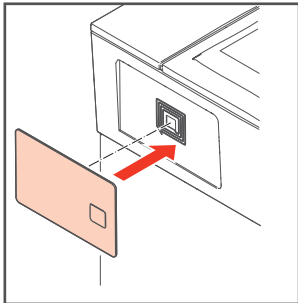


2.06 Download recipe menu





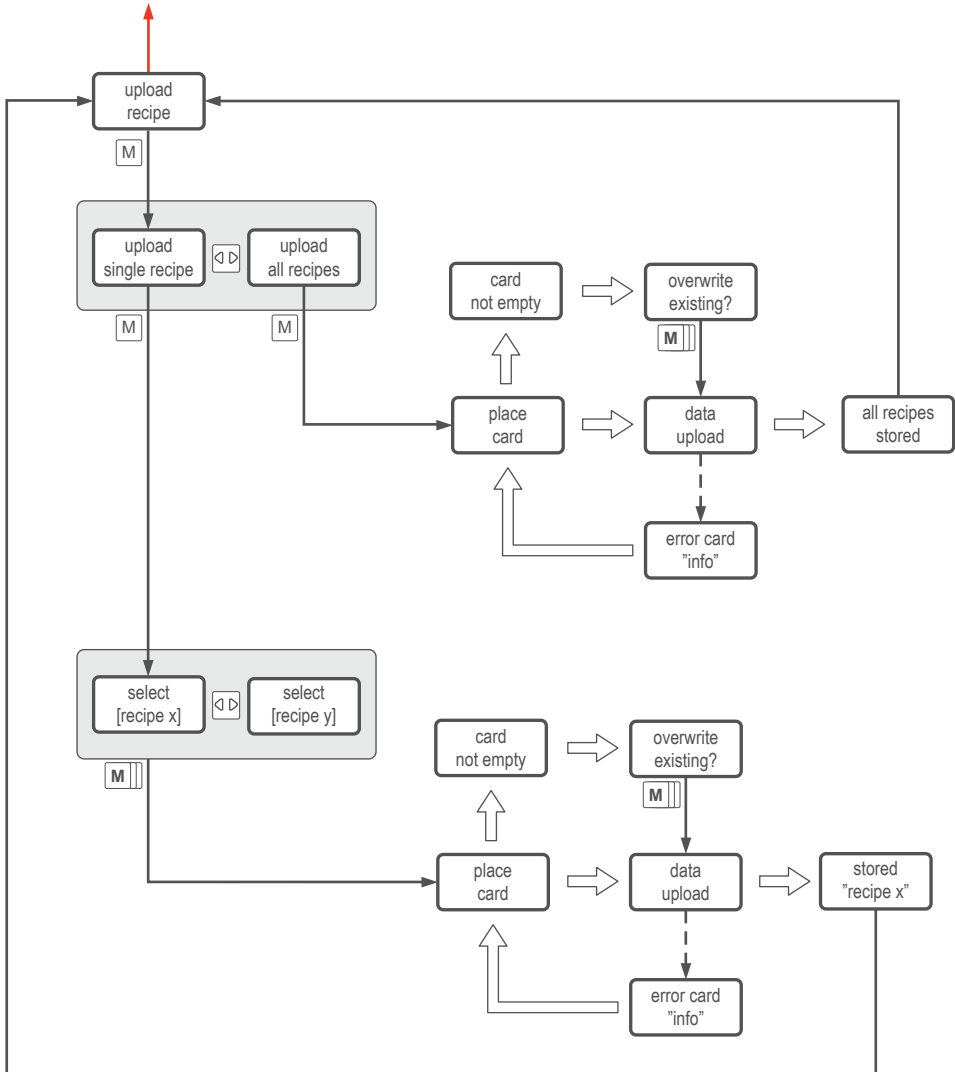
- Twin versions
- Optional or for low versions only
- ” xx ” Fixed value
- [xx] You can change this value

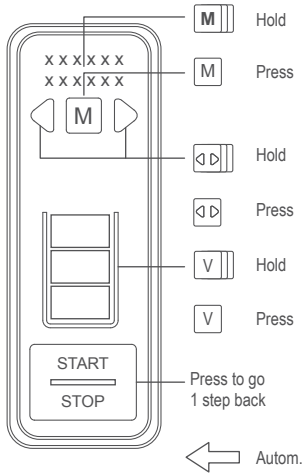


To upload or download data

2.07 Upload recipe menu

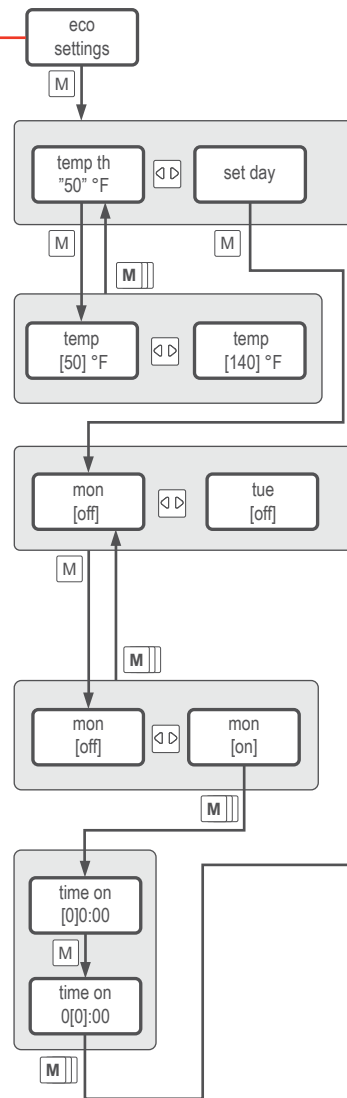
See 2 Operator menu 2/2



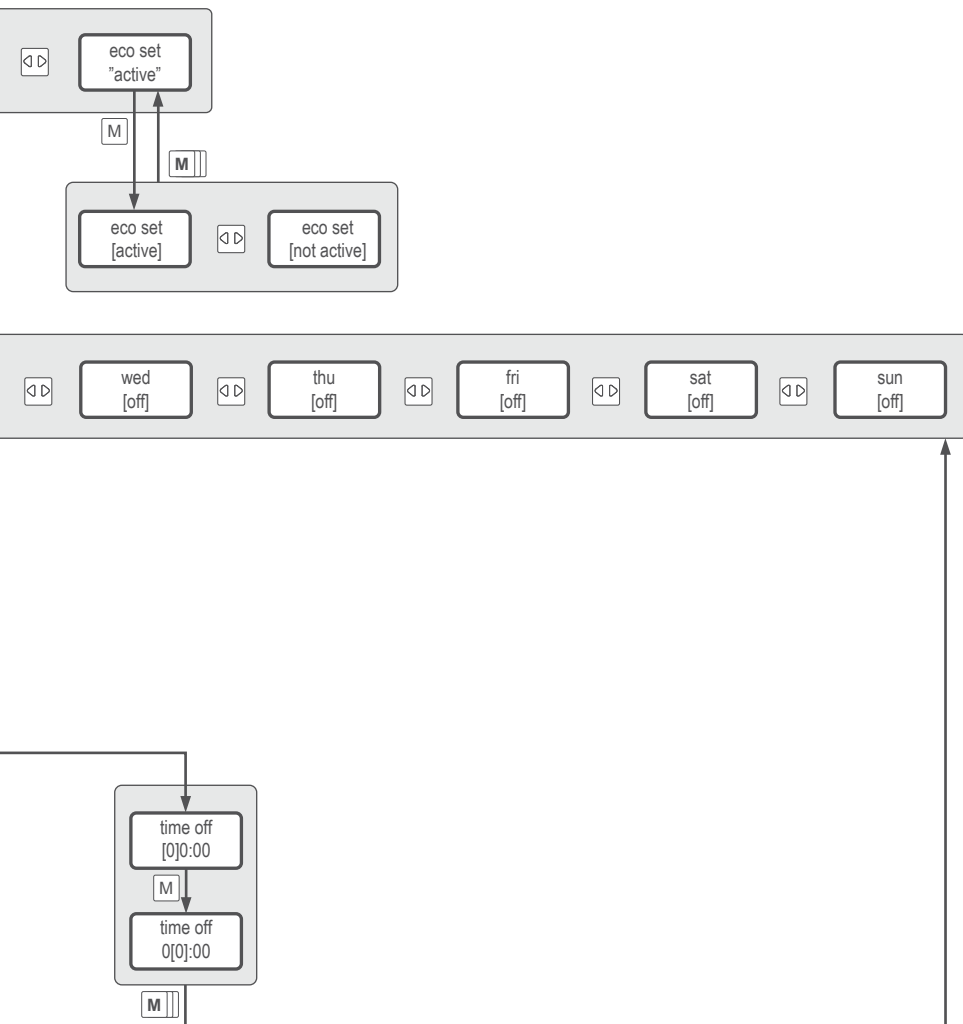


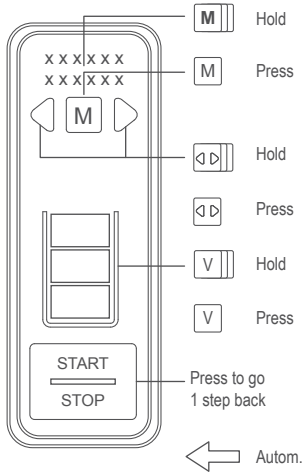
- Twin versions
- Optional or for low versions only
- ” xx ” Fixed value
- [xx] You can change this value

See 2 Operator menu 2/2



2.08 Eco settings menu

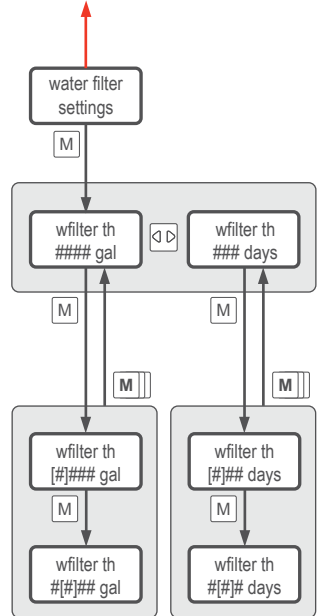




- Twin versions
- Optional or for low versions only
- ” xx ” Fixed value
- [xx] You can change this value

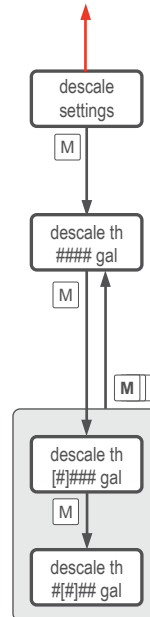
2.09 Water filter settings

See 2 Operator menu 2/2



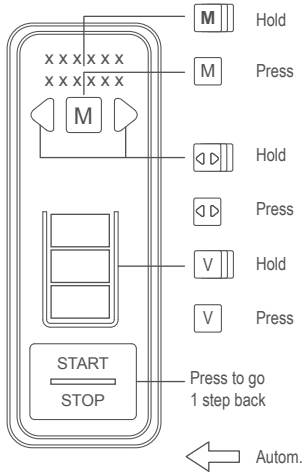
2.10 Descale settings

See 2 Operator menu 2/2



18 - 30 °dH = 32 - 55 °TH	250 L.	66 Gal.
12 - 18 °dH = 22 - 32 °TH	500 L.	132 Gal.
8 - 12 °dH = 15 - 22 °TH	1000 L.	264 Gal.
4 - 8 °dH = 7 - 15 °TH	1500 L.	396 Gal.
0 - 4 °dH = 0 - 7 °TH	2000 L.	528 Gal.

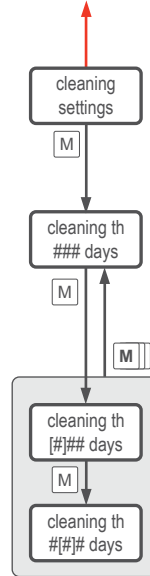
	mmol/L	ppm, mg/L	dGh, °dH	gpg	°e, °Clark	°fH, °TH
mmol/L	1	0.009991	0.1783	0.171	0.1424	0.09991
ppm, mg/L	100.1	1	17.85	17.12	14.25	10
dGh, °dH	5.608	0.05603	1	0.9591	0.7986	0.5603
gpg	5.847	0.05842	1.043	1	0.8327	0.5842
°e, °Clark	7.022	0.07016	1.252	1.201	1	0.7016
°fH, °TH	10.01	0.1	1.785	1.712	1.425	1



- Twin versions
- Optional or for low versions only
- ” xx ” Fixed value
- [xx] You can change this value

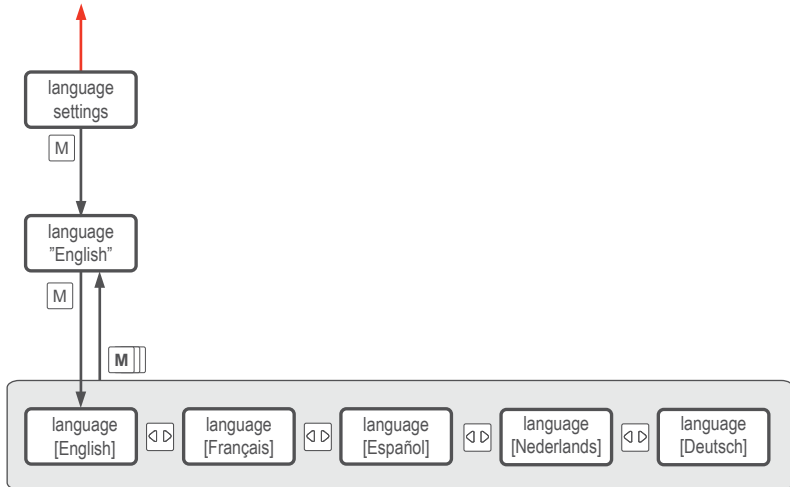
2.11 Cleaning settings

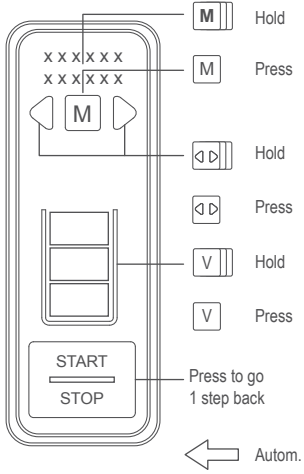
See 2 Operator menu 2/2

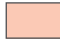



2.12 Language settings

See 2 Operator menu 2/2

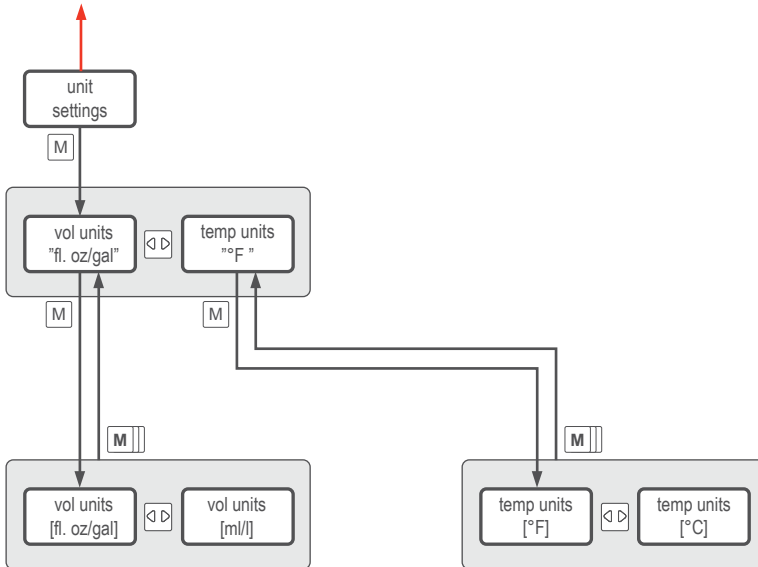


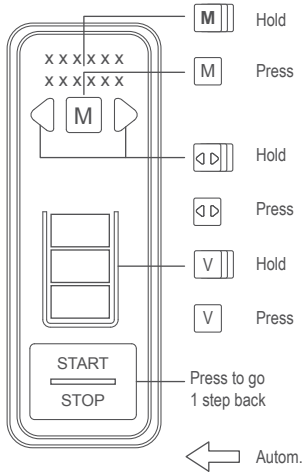


-  Twin versions
-  Optional or for low versions only
- " xx "** Fixed value
- [xx]** You can change this value

2.13 Unit settings

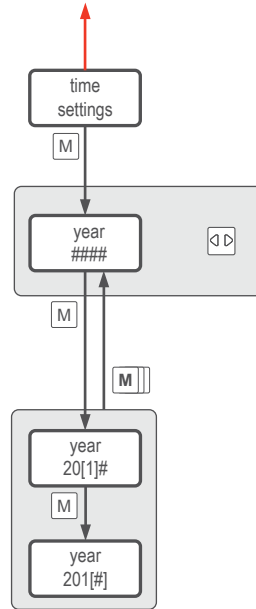
See 2 Operator menu 2/2



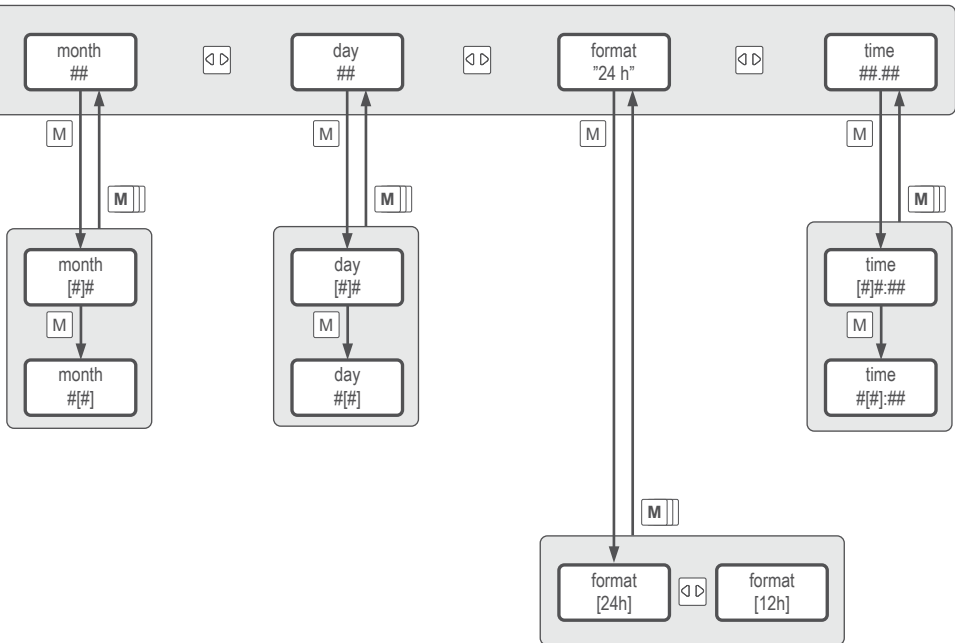


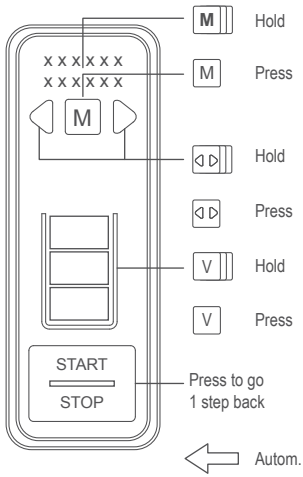
- Twin versions
- Optional or for low versions only
- ” xx ” Fixed value
- [xx] You can change this value

See 2 Operator menu 2/2

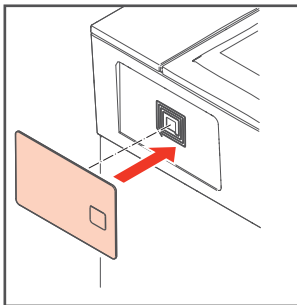


2.14 Time settings





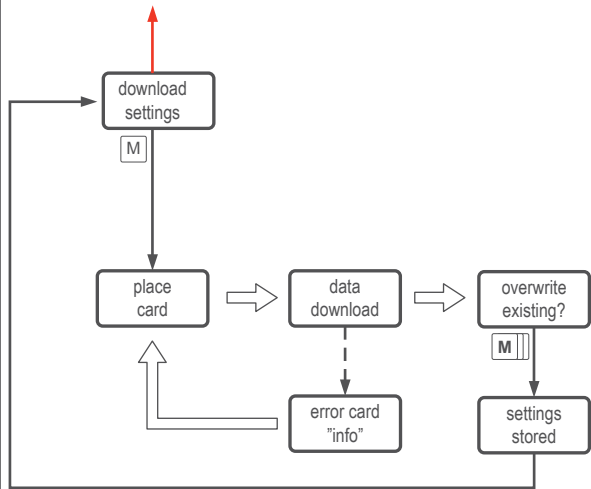
- Twin versions
- Optional or for low versions only
- ” xx ” Fixed value
- [xx] You can change this value



To upload or download data

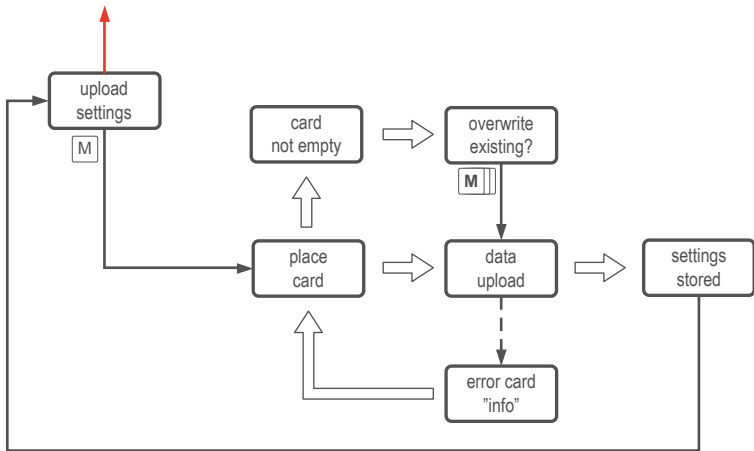
2.15 Download settings

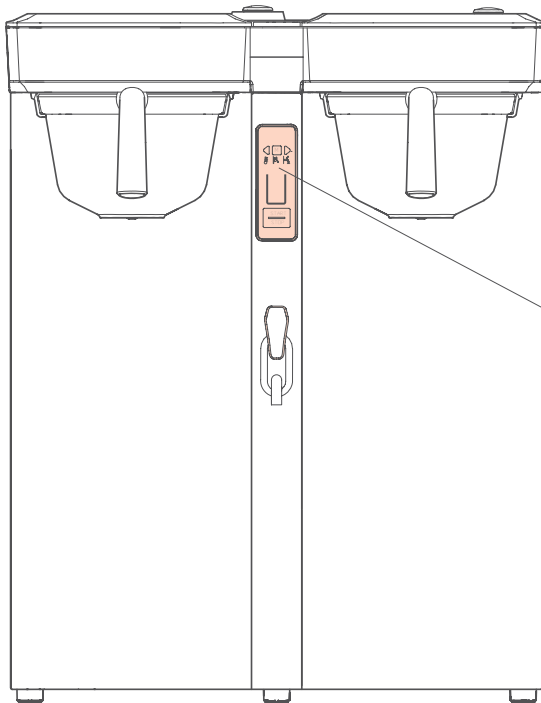
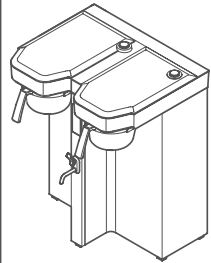
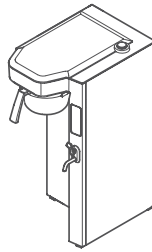
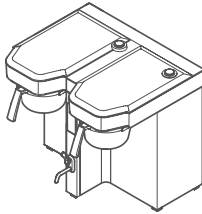
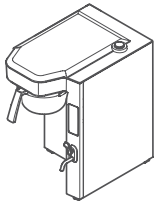
See 2 Operator menu 2/2

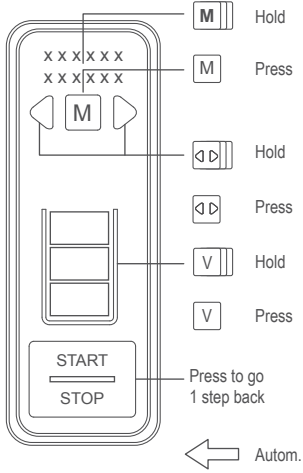


2.16 Upload settings

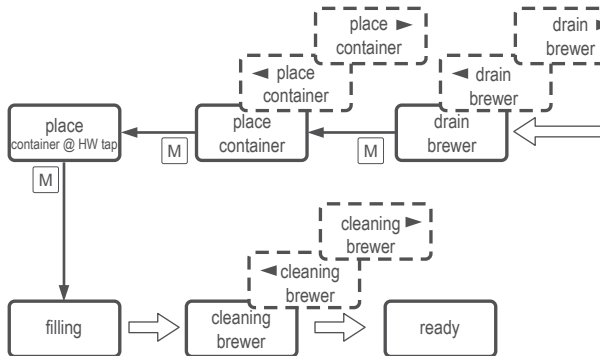
See 2 Operator menu 2/2







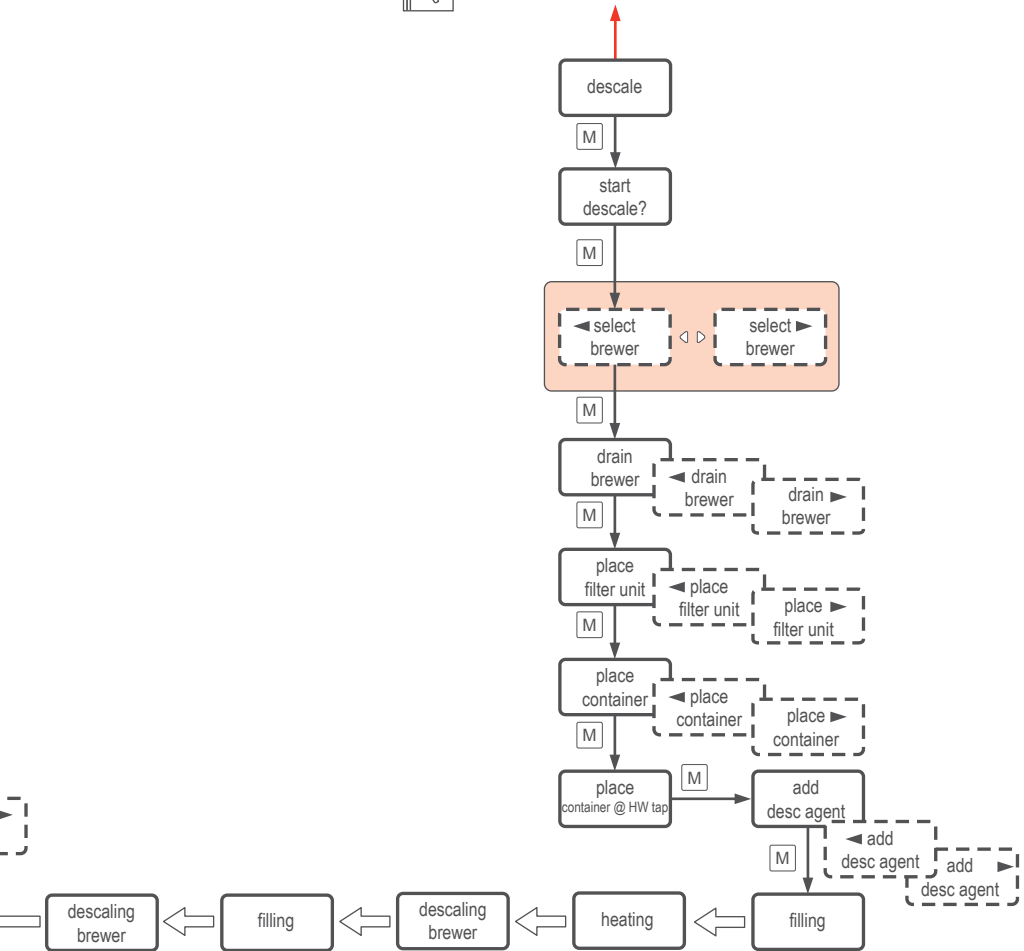
- Twin versions
- Optional or for low versions only
- ” xx ” Fixed value
- [xx] You can change this value

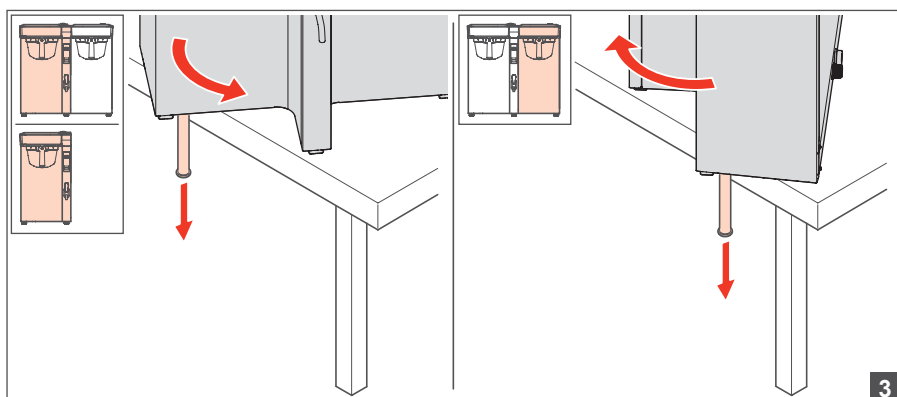
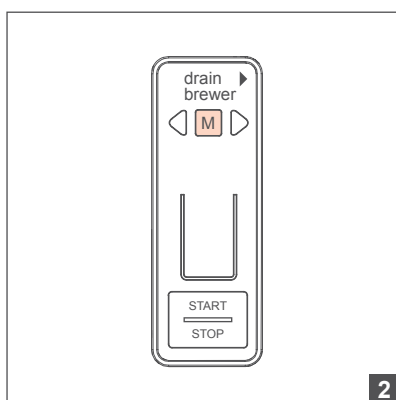
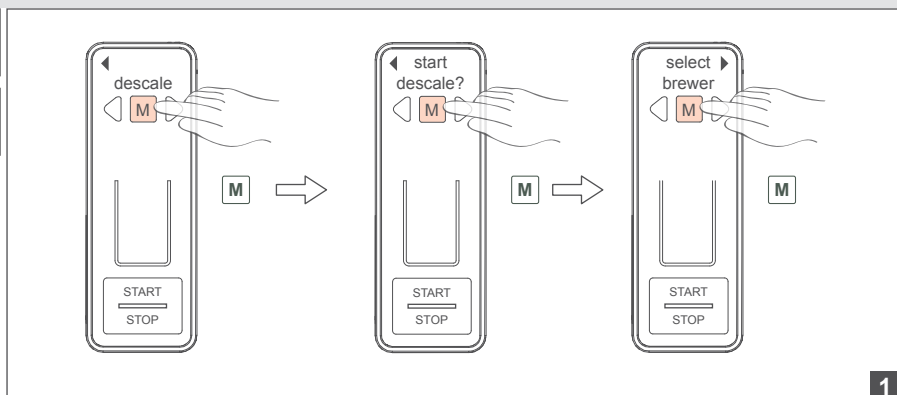


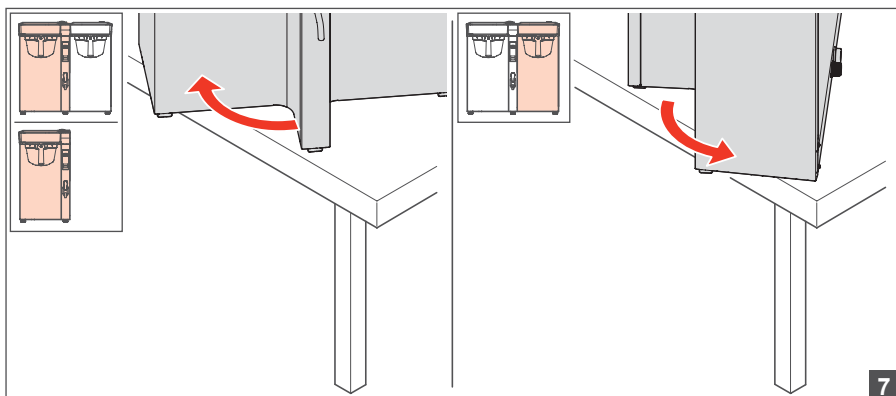
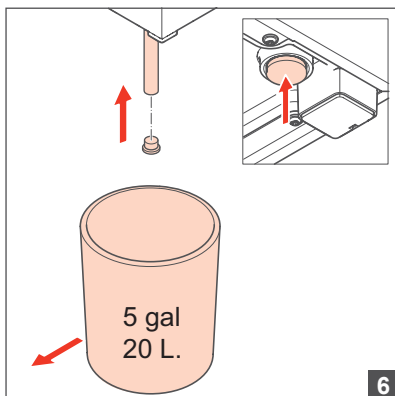
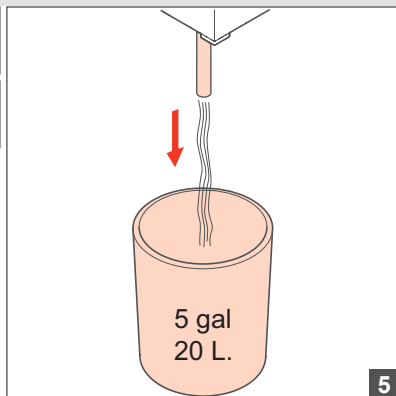
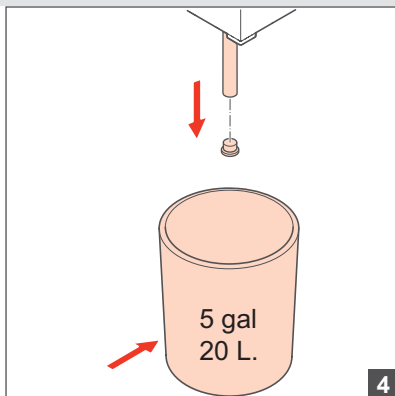


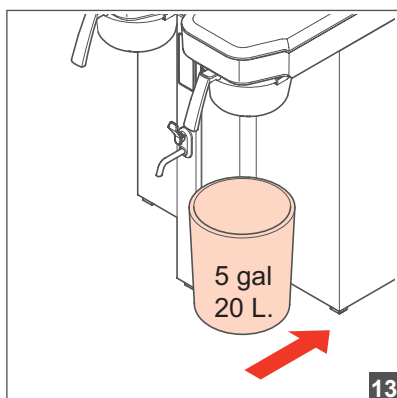
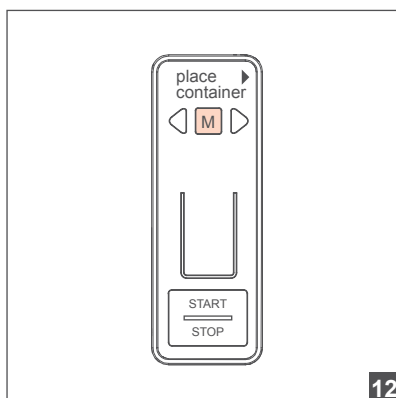
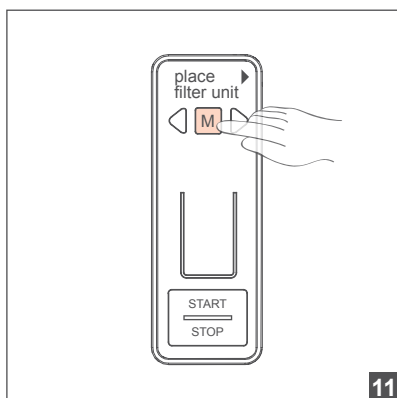
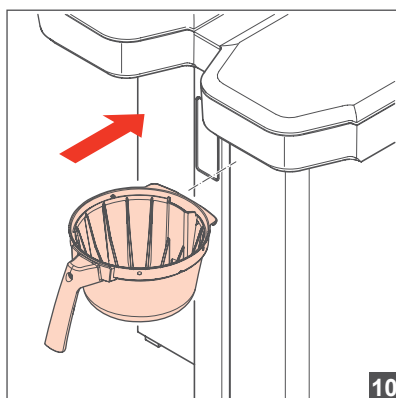
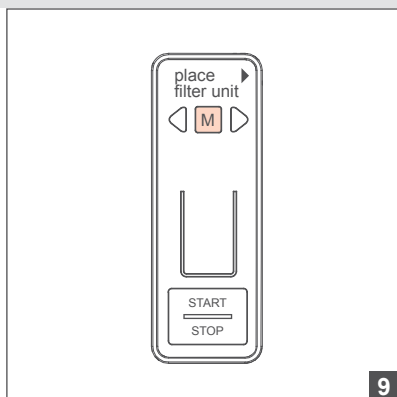
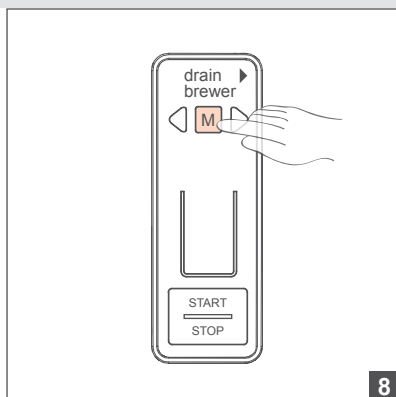
See operator menu: 1/2

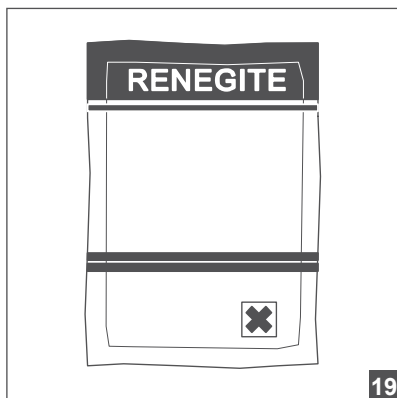
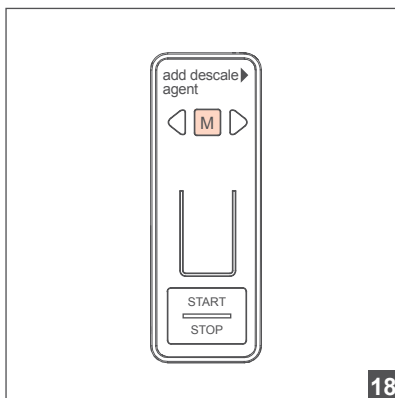
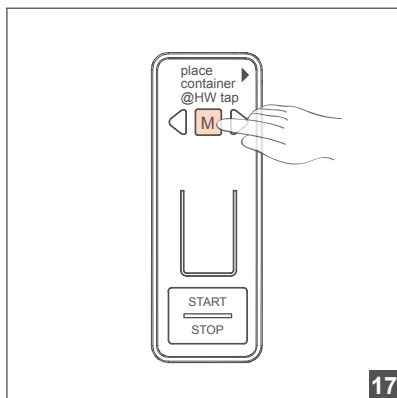
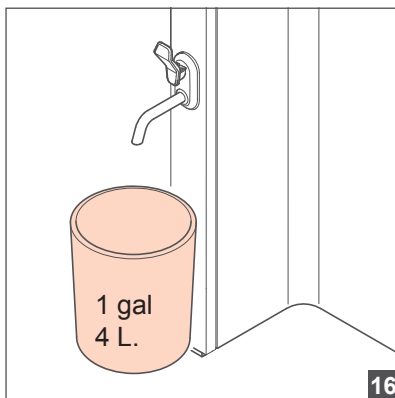
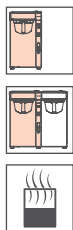
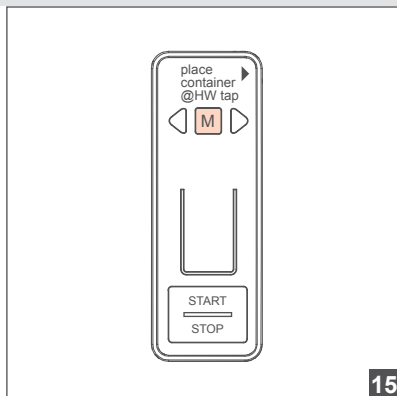
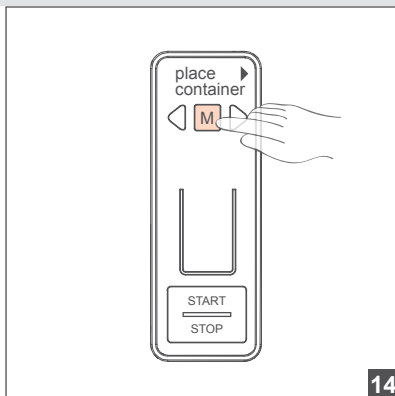
Descal

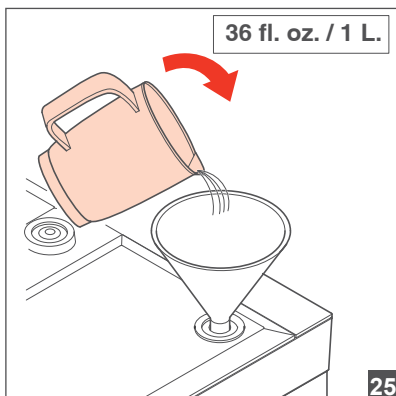
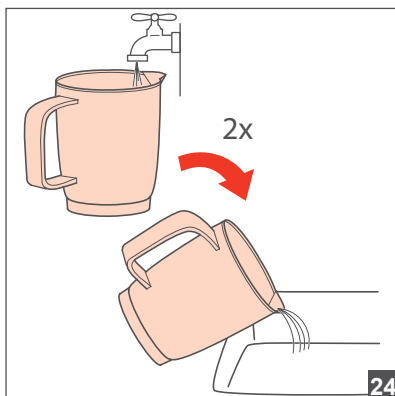
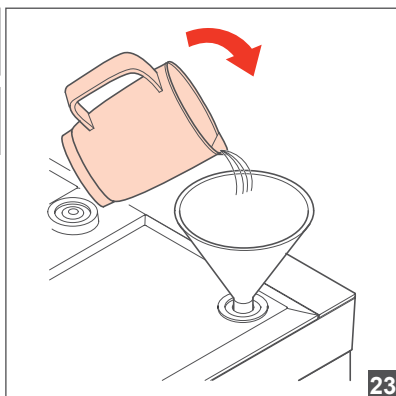
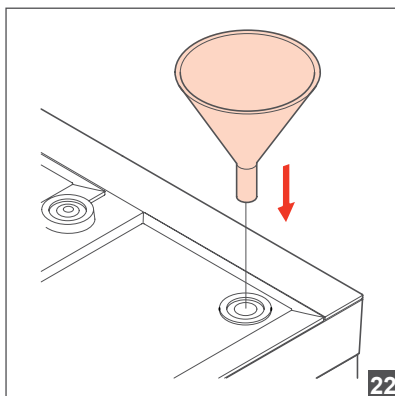
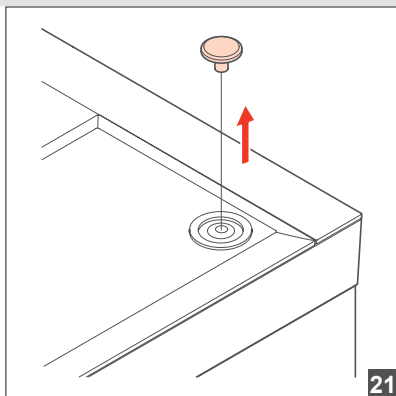
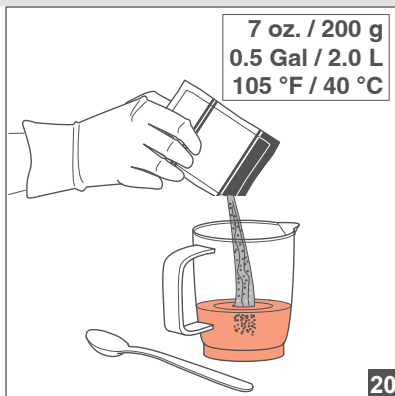


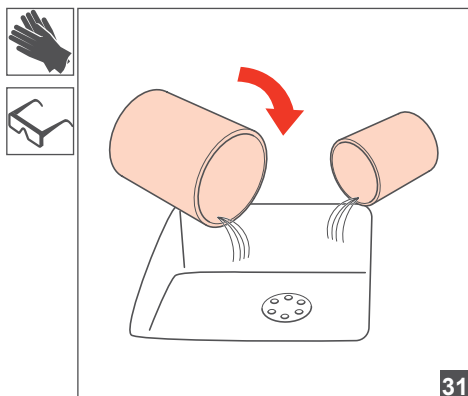
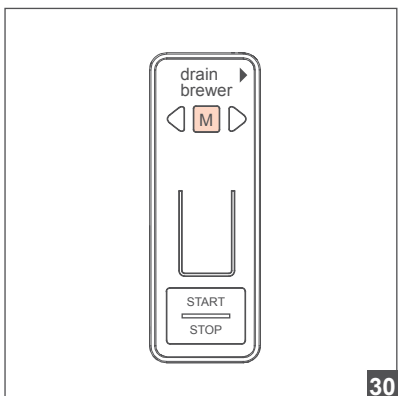
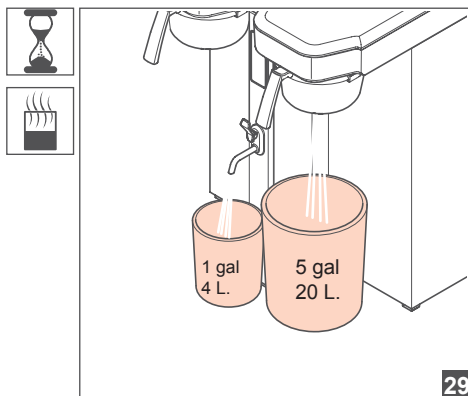
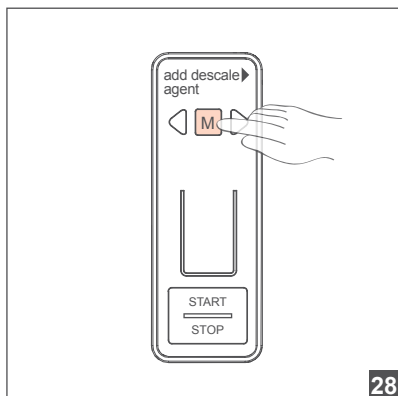
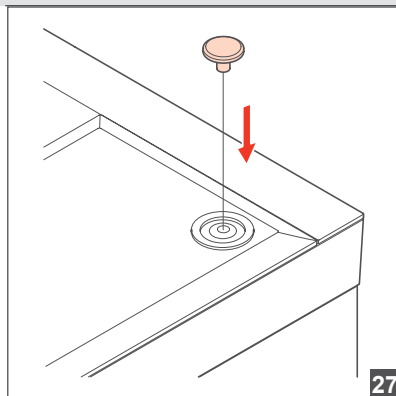
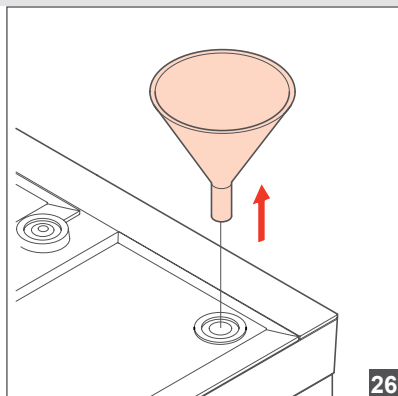


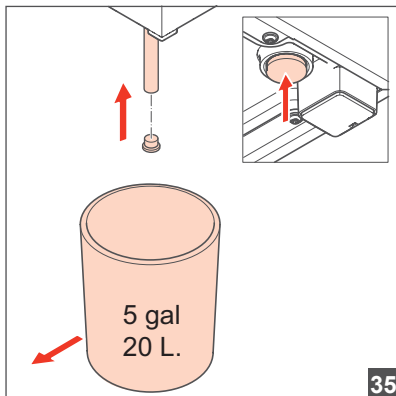
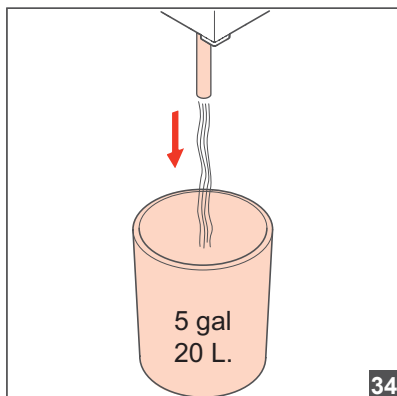
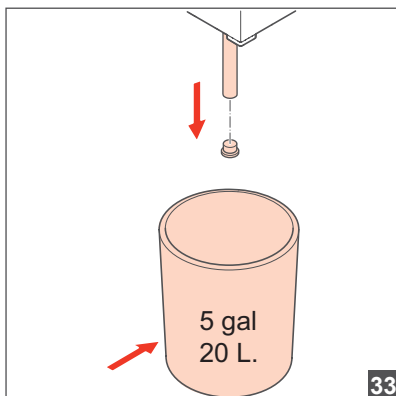
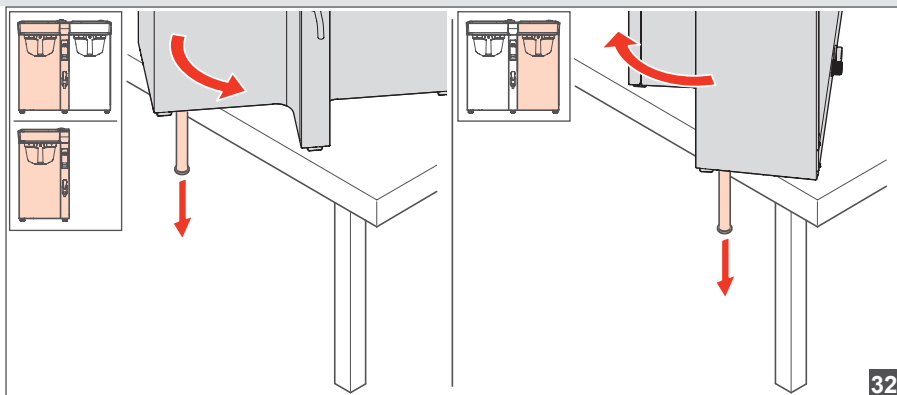


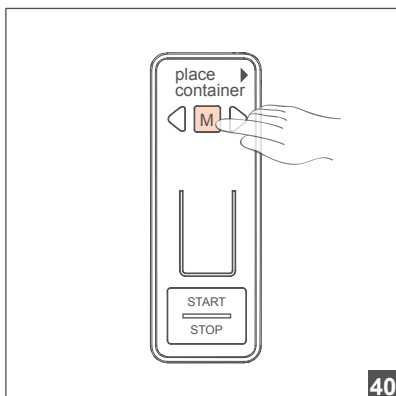
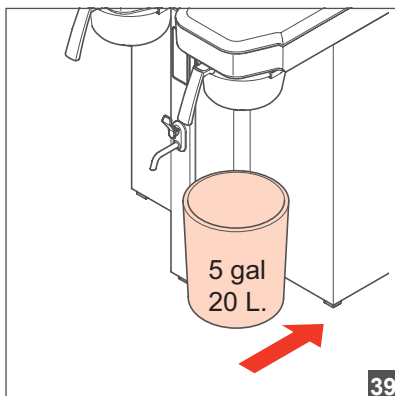
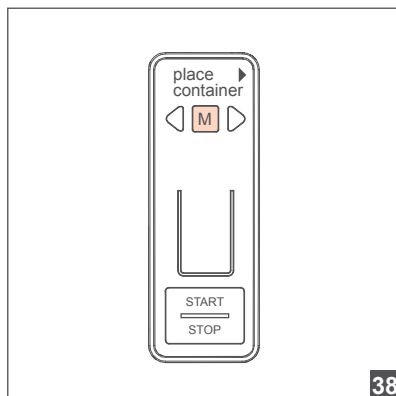
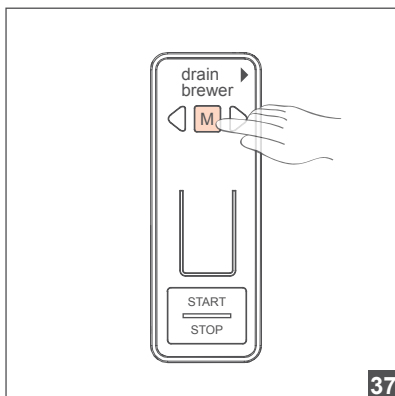
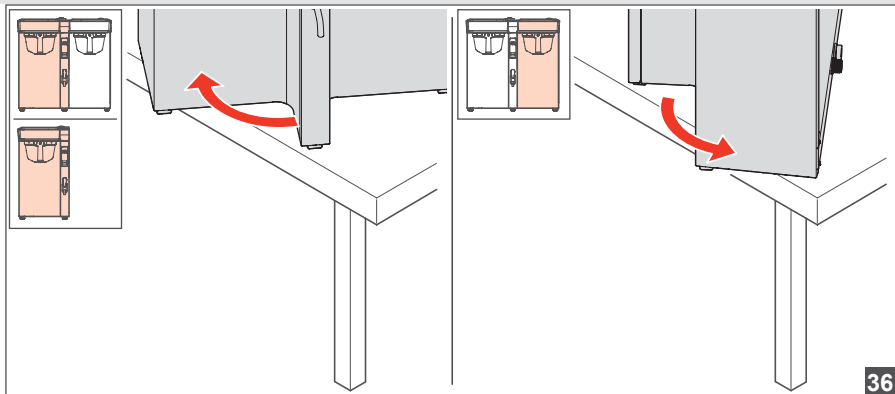


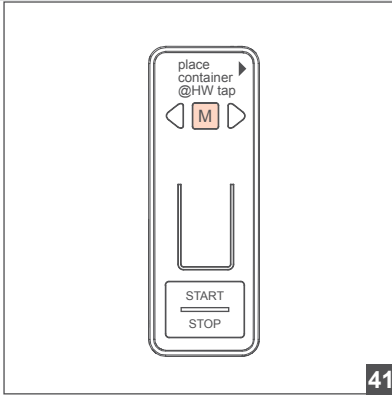




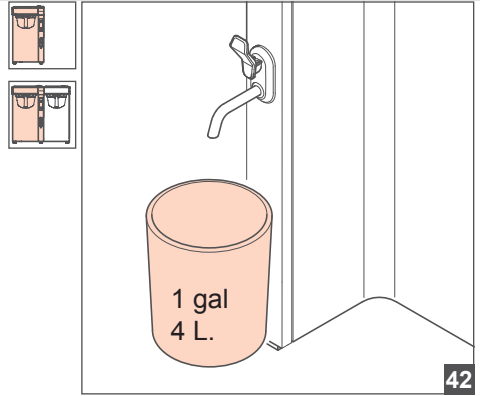




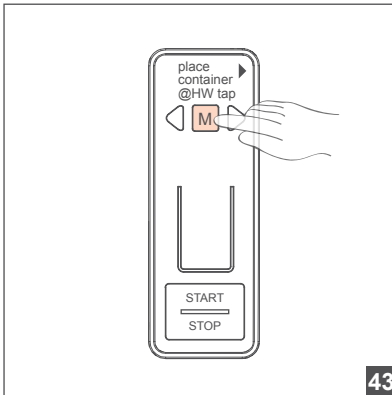




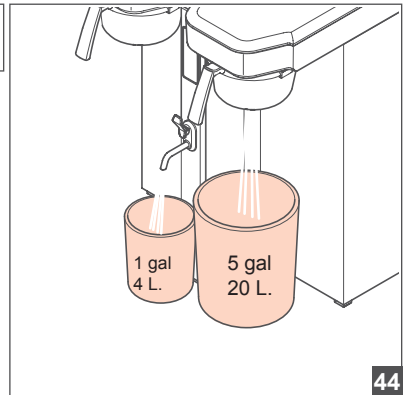
41



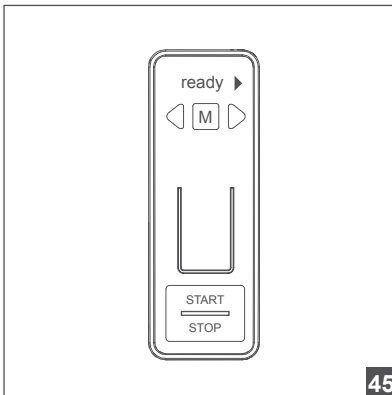
42



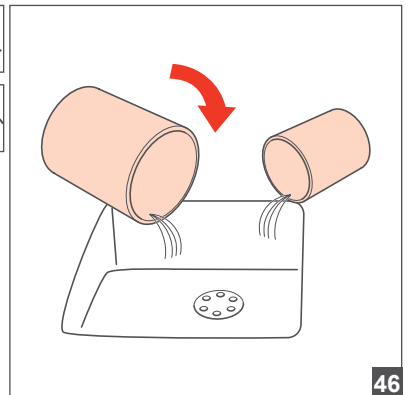
43



44



45



46

Compliance statement (part 15.19)

This device complies with part 15 of the FCC Rules and to Industry Canada license-exempt RSS standard(s).

Operation is subject to the following two conditions:

- (1) this device may not cause harmful interference, and
- (2) this device must accept any interference received, including interference that may cause undesired operation.

Warning (part 15.21)

Changes or modifications not expressly approved by the party responsible for compliance could void the user's authority to operate the equipment.

This in particular is applicable for the antenna which has been delivered with the product.

Information to the User (Part 15.105 (b))

Note: This equipment has been tested and found to comply with the limits for a Class B digital device, pursuant to part 15 of the FCC Rules. These limits are designed to provide reasonable protection against harmful interference in a residential installation. This equipment generates, uses and can radiate radio frequency energy and, if not installed and used in accordance with the instructions, may cause harmful interference to radio communications. However, there is no guarantee that interference will not occur in a particular installation. If this equipment does cause harmful interference to radio or television reception, which can be determined by turning the equipment off and on, the user is encouraged to try to correct the interference by one or more of the following measures:

- Reorient or relocate the receiving antenna.
- Increase the separation between the equipment and receiver.
- Connect the equipment into an outlet on a circuit different from that to which the receiver is connected.
- Consult the dealer or an experienced radio/TV technician for help.



**/// BRAVILOR
BONAMAT**

© 01 - 2015

VHH

