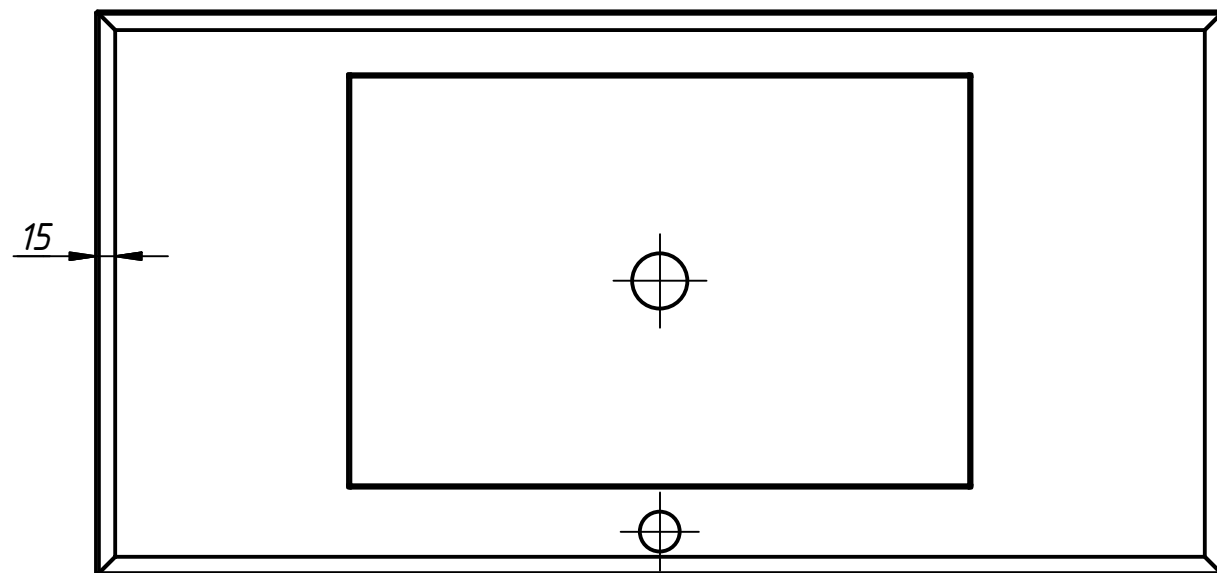


*B (1:6)*



*A-A (1:6)*

