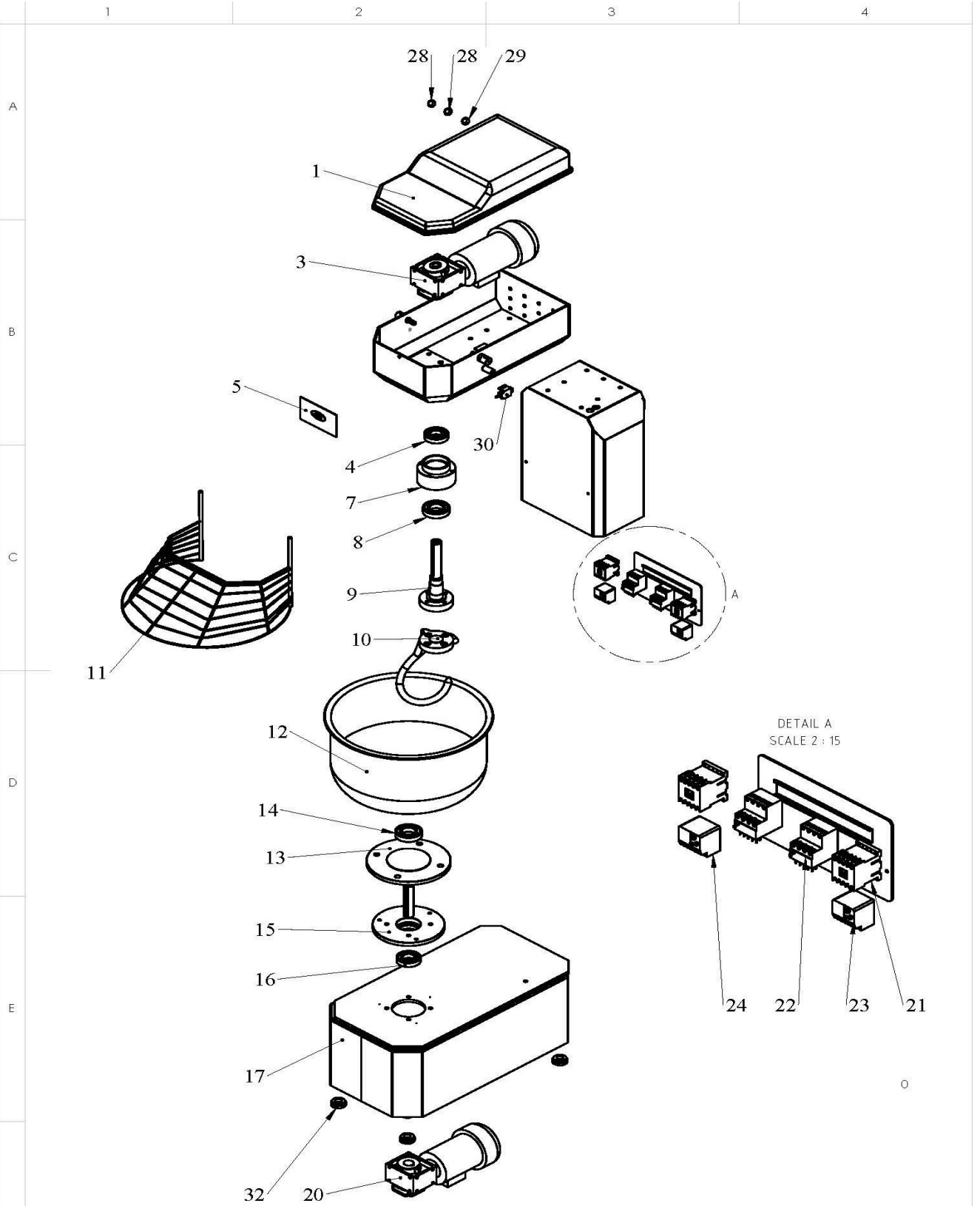




SPARE PART LIST

Spare Part ItemCode	Item name.	PictureId	Price.	Curr.
6257.00016.01	POWER SUPPLY CORD 5x2,5 H07RNF			
6212.00001.15	M8*40 INOX IMBUS CIVATA (YARIM DIS)			
6214.00002.09	M5 NUT GALVANISED			
6261.00013.04	30-50 KG HAMUR YOGURMA MAK. KAPAK PLASTIK			
2820.00050.21	HYM 50 KG HAMUR SIYIRICI			
2820.00030.18	PLASTIC COVER FOR HYM30-50	1		
2820.00050.05	KNEADING TOOL FOR HYM50	10		
2820.00050.19	SAFETY CAGE FOR HYM50	11		
2820.00050.07	BOWL FOR HYM50	12		
2820.00050.08	LOWER GEARBOX SHAFT FOR HYM50	13		
6211.00223.01	BEARING 6207 2 RS C0	14		
2820.00030.09	LOWER GEARBOX SHAFT BEARING FOR HYM50	15		
6261.00029.01	GEARBOX 0.55 KW 15rpm EV063*3 B08	20		
6230.00014.12	MINI CONTACTOR DILEEM-10 XTMC6A10 3KW MOELLER	21		
6230.00020.03	AUXILIARY CONTACTOR DILEM 22 MOELLER	22		
6233.00016.11	THERMIC RELAY 1,6-2,4	23		
6233.00016.14	THERMIC RELAY 6-9 (ZE-9) MOELLER(MINI)	24		
6232.00010.32	BUTTON START AA31 SMCX	28		
6232.00010.31	BUTTON STOP AA42 SMCX	29		
6261.00029.04	GEARBOX 1-1.6KW 60-120rpm EV063*3 B10	3		
6232.00006.00	SWITCH	30		
6261.00012.00	PLASTIC PART OF HYM30-50 BASE	32		
6211.00223.00	BEARING 6207 ZZ C0	4-16		
2820.00030.03	UPPER GEARBOX SHAFT BEARING FOR HYM30-50	7		
6211.00224.00	BEARING 6208 2 RS C0	8		
2820.00030.04	UPPER GEARBOX SHAFT FOR HYM30-50	9		



F	R&D	İSİM	İMZA	TARİH	MATERIAL	TOLERANS
	ÇİZEN	A.YILMAZ		04.02.2016		DIN 7168 ORTA
	KONTROL	M.HACI		04.02.2016		
	ONAY	M.HACI		04.02.2016	KALINLIK	REVİZYON 1
	RESİM ÜZERİNDEN ÖLÇÜ ALMAYINIZ!	ÖLÇÜLER mm	CİNSİNDEDİR	AĞIRLIK (gr.)	ÖLÇEK	1:15

öztiryakiler

PARÇA ADI:
HAMUR YĞURMA MAKİNASI 50 KG MEKANİK KONTROL PANELLİ
T.RESİM NO: 0820.00050.11