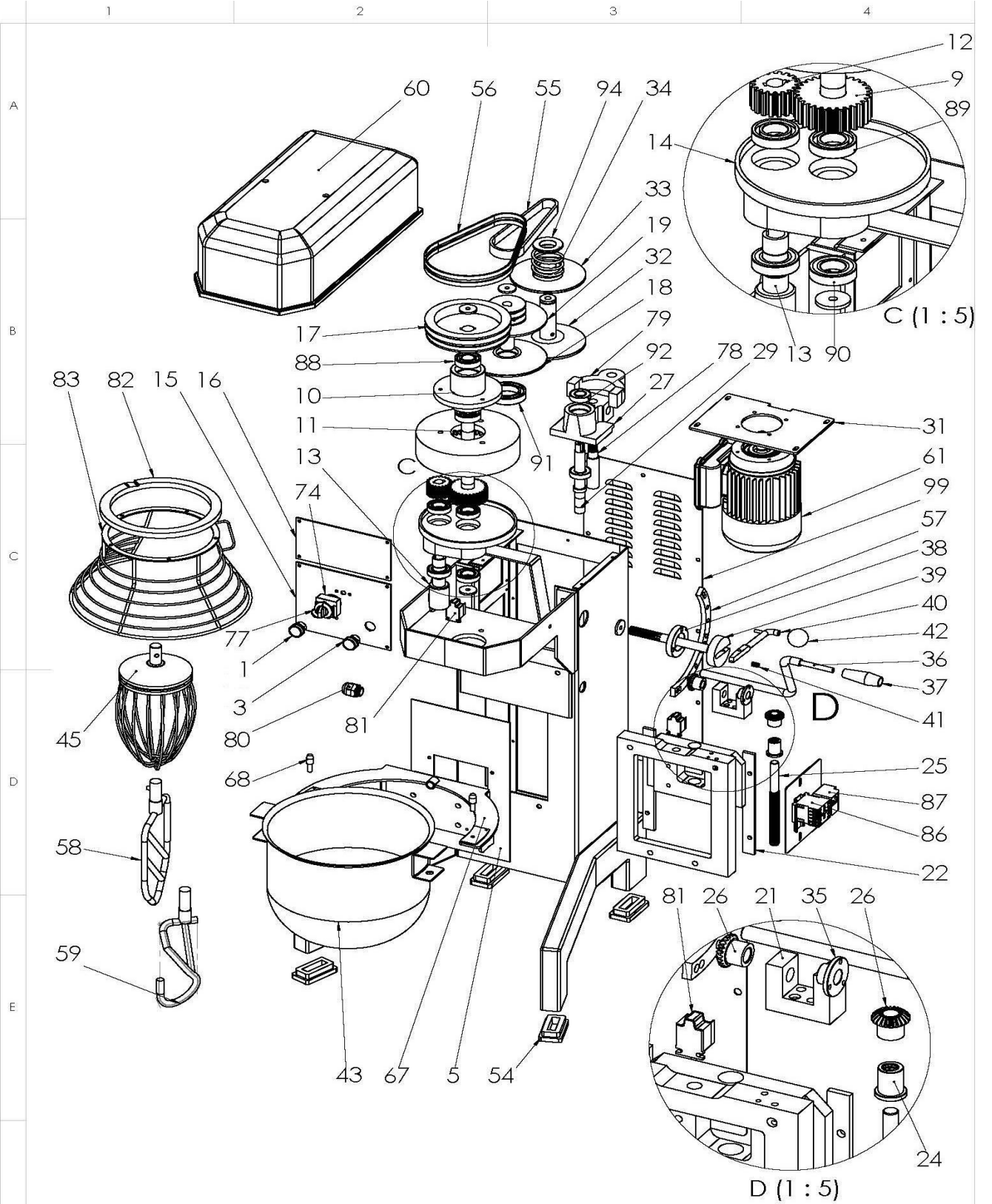




SPARE PART LIST

Spare Part ItemCode	Item name.	PictureId	Price.	Curr.
6261.00017.02	20 LT DEVIR AYAR KREMIYER DISLI			
6232.00010.31	BUTTON STOP AA42 SMCX	1		
2810.00020.43	ECCENTRIC SHAFT FOR BEARING (OM 20)	10		
2KLP.460.20300240.9.01	FRONT PULLEY SHAFT FOR OM20 (Q30x240mm)	11		
6261.00017.10	SPUR GEAR FOR OM20 (POLIAMIDE)	12		
2KLP.460.20040158.9.01	APPARATUS FIXING GROOVE FOR OM20 (Q40x158mm)	13		
2810.00020.47	ECCENTRIC GEAR BOX	14		
2810.00020.08	LOWER CASING FOR CONTROL PANEL (OM20-40-60)	15		
2810.00020.09	UPPER CASING FOR CONTROL PANEL (OM20-40-60)	16		
2810.00020.41	ECCENTRIC SHAFT PULLEY FOR OM20	17		
2810.00020.38	MIDDLE VARIATOR BOTTOM PULLEY	18		
2810.00020.40	MIDDLE VARIATOR UPPER PULLEY	19		
6261.20000.07	GG 26 CAST IRON "U" PART	21		
6211.00390.03	BEARING 51103	22		
2KLP.460.20032035.9.01	BRONZE NUT FOR OM20 (Q32x35mm)	24		
2KLP.460.20180215.9.01	WORM GEAR FOR OM20 (Q18x215mm)	25		
2810.00020.25	BEVEL GEAR FOR OM20	26		
2810.00020.34	SPEED ADJUSTMENT BEARING CASE	27		
2KLP.460.20260172.9.01	MIDDLE VARIATOR SHAFT Q26x172mm FOR OM20	29		
6232.00010.32	BUTTON START AA31 SMCX	3		
2810.00020.29	VARIATOR LOWER PULLEY FOR OM20	32		
2810.00020.30	VARIATOR UPPER PULLEY FOR OM20	33		
6261.00026.00	PRESS SPRING	34		
2KLP.460.20045018.9.01	ARM BEARING FOR OM20 (Q45x18mm)	35		
2810.00020.24	ARM FOR OM20	36		
6261.00027.02	BAKALITE PART (CYCLINDIRICAL, N:3 M10)	37		
2810.00020.13	SPEED ADJUSTMENT ARM BEARING	38		
2810.00020.33	SPEED ADJUSTMENT GEAR,	39		
2810.00020.32	SPEED ADJUSTMENT ARM,	40		
6261.00026.01	SPRING OUT: Q9/ WIRE: Q1.5 /LENGTH: 16/REVOLUTION: 6	41		
6261.00027.00	BAKALITE HANDLE Q40 M12	42		
2810.00020.06	BOWL FOR OM 20,	43		
2810.00020.53	BEATING TOOL FOR OM 20,	45		
2810.00020.04	ARM FIXING PLATE FOR OM20	5		
6261.00011.01	PLASTIC PART OF OM20 MIXER BASE	54		
6263.00003.00	VARIATOR BELT 28*8*650	55		
6263.00001.03	V BELT 13*650 Li	56		
2810.00020.12	SPEED ADJUSTMENT SPRING FOR OM20	57		
2810.00020.49	KNEADING TOOL FOR OM 20,	58		
2810.00020.50	MIXING TOOL FOR OM 20,	59		
2810.00020.57	PLASTIC COVER FOR OM20	60		
6252.00000.21	MOTOR 0.55 KW 1410 D/D MONOPHASE 50 Hz B14 FLANGED VOLT	61		
2810.00020.59	ARM FOR OM20	67		
2KLP.460.00014042.9.01	BOWL FIXING PIN Q14x42mm	68		
2810.00020.36	SPEED ADJUSTMENT PART (FORK)	79		
6259.00003.044	COUPLING PG16	80		
6232.00006.00	SWITCH	81		
6261.00013.26	SAFETY CAGE CIRCULAR PART FOR OM20	82		
2810.20200.60	CAGE FOR OM20	83		
6230.00014.12	MINI CONTACTOR DILEEM-10 XTMC6A10 3KW MOELLER	86		
6233.00016.13	THERMIC RELAY 4-6 (ZE-6) MOELLER(MINI)	87		
6211.00221.01	BEARING 6205,	88		
6211.00208.00A	BEARING 6005 ,	89		
6261.00017.11	SPUR GEAR FOR OM20	9		
6211.00208.00	BEARING 6005 RS	90		
6211.00215.00	BEARING 6009,	91		
6211.00210.00	BEARING 6004	92		
2KLP.460.00600011.9.02	SPRING WASHER FOR OM20	94		
6259.00002.06	TIMER KNOB	KB3		
6259.00002.05	TIMER 0-90 MIN	TCK1		
6248.00022.00	RAIL FOR TERMINAL ST	TRN1		



F	R&D	İSİM	İMZA	TARİH	MATERIAL	TOLERANS
	ÇİZEN	A.YILMAZ		28.01.2016		DIN 7168 ORTA
	KONTROL	M.HACI		28.01.2016		
	ONAY	M.HACI		28.01.2016	KALINLIK	REVİZYON 0
					AĞIRLIK (gr.)	ÖLÇEK 1/1

PARÇA ADI: MİKSER 20 LT MONOFAZE CE MEKANİK KONTROL PANELİ
T.RESİM NO: 0810.00020.04

öztiryakiler