



0830.00010.00

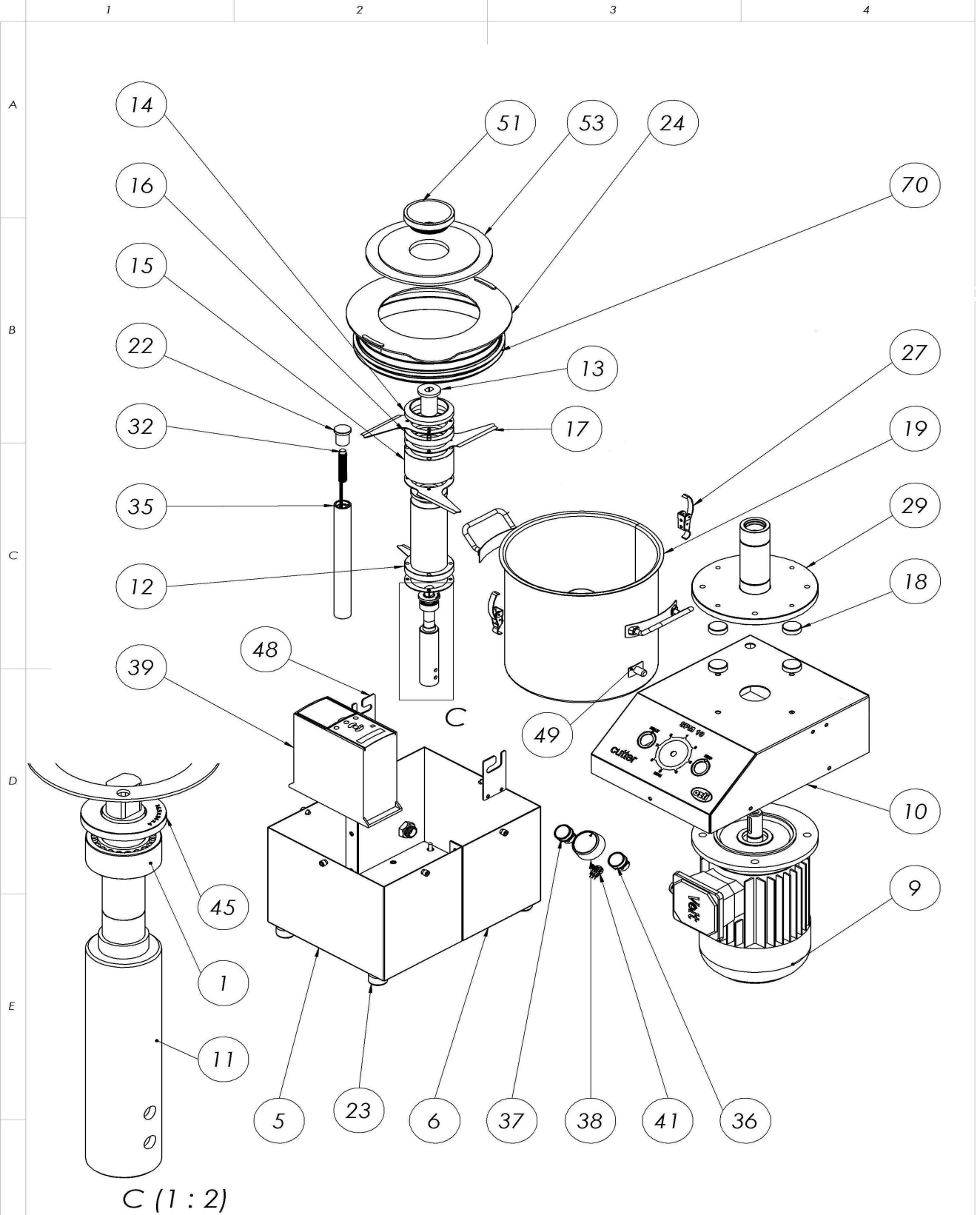
SPM10 FC VEGETABLE CUTTER (HUMMUS MACHINE) 10 LT WITH INVERTOR Version No:
VARIABLE SPEED 220V/1PH

SPARE PART LIST

Spare Part ItemCode	Item name.	PictureId	Price.	Curr.
6232.00012.03	PUSH BUTTON RUBBER COVER M22 TDD MOELLER			
6211.00206.10	NEEDLE ROLLER BEARING NA 4903 XL	1		
2830.560.00010.03	UPPER BASEFRAME FOR 10 LT CUTTER	10		
2830.F0010.04	MOTOR SHAFT FOR 10LT CUTTER	11		
2830.F0010.06	SHAFT FOR BLADE MOUNTING (10LT CUTTER)	12		
2830.F0010.03	BUSHING FOR BLADE MOUNTING (10LT CUTTER)	13		
2830.F0010.09	BUSHING-3 FOR BLADE MOUNTING (10LT CUTTER)	14		
2830.F0010.07	BUSHING-1 FOR BLADE MOUNTING (10LT CUTTER)	15		
2830.F0010.08	BUSHING-2 FOR BLADE MOUNTING (10LT CUTTER)	16		
6261.00016.03	BLADE FOR 10LT CUTTER	17		
2KLP.460.00300010.9.01	POLIAMID PARTS FOR BOWL BOTTOM SURFACE - 10LT CUTTER	18		
2830.00010.03	BOWL 10LT	19		
2KLP.460.00300035.9.01	POLIAMID PARTS FOR BOWL SWITCH- 10LT&20LT&30LT&50LT&70LT CUTTER	21		
2KLP.460.00300030.9.01	POLIAMID PARTS FOR LID SWITCH- 10LT&20LT&30LT&50LT&70LT CUTTER	22		
6261.00011.04	MACHINE PLASTIC FOOT 20x30 M6	23		
2830.00010.04	BOWL LID FOR 10LT CUTTER	24		
6602.03000.05	CLIPS BIG SIZE	27		
2830.F0010.10	MOTOR MOUNTING FLANGE FOR 10LT CUTTER	29		
6229.00006.04	INDUCTIVE SENSOR IM12-D1PA08-L 10-30V DC	32		
6232.00011.14	BUTTON MOELLER M22 D-G/K10	36		
6232.00011.13	BUTTON MOELLER M22 D-R/K01	37		
6260.00015.13	BAKELITE KNOB MF-A05	38		
6229.00034.34	INVERTER SPEED CONTROLLER 1,5KW DANFOSS	39		
6229.00034.09	POTENTIOMETER 2K5 ORION	41		
6228.00011.19	OIL SEALING 16,5x34x4	45		
2830.00010.11	SPM 10 LT KAZAN K L TLEME	48		
2830.560.00010.01	LOWER BASEFRAME -1 FOR 10LT CUTTER	5		
2KLP.460.00800030.9.01	ADDITIVE INLET CONE POLIAMID PART	51		
2KLP.460.02000008.9.01	SIGHT GLASS FOR 10LT&20LT&30LT CUTTER	53		
2830.560.00010.02	LOWER BASEFRAME -2 FOR 10LT CUTTER	6		
6261.00013.45	UPPER LID GASKET FOR 10LT CUTTER (INNER DIA. 210MM)	70		
6252.00000.56	MOTOR 1,5 KW 1430 D/D TRIFAZE 50 Hz B5 FLANS VOLT	9		



0830.00010.00

SPM10 FC VEGETABLE CUTTER (HUMMUS MACHINE) 10 LT WITH INVERTOR Version No:
VARIABLE SPEED 220V/1PH

C (1 : 2)

F	R&D	İSİM	İMZA	TARİH	MATERIAL	TOLERANS	PARÇA ADI:
	ÇİZEN	A.YILMAZ		09.05.2018		DIN 7168 ORTA	SPM 10 LT YEDEK PARÇA LİSTESİ
	KONTROL	M.HACI		09.05.2018		REVİZYON	
	ONAY	M.HACI		09.05.2018	KALINLIK	0	
	RESİM ÜZERİNDEN ÖLÇÜ ALMAYINIZ!	ÖLÇÜLER mm CİNSİNDENDİR	AĞIRLIK (gr.)	ÖLÇEK	1:8	T.RESİM NO	0830.00010.00

öztiryakiler

SPM 10 LT YEDEK PARÇA LİSTESİ

0830.00010.00