



- Specifications of Product: \*
- \* The whole machine is made of stainless steel.
  - \* Monophase model
  - \* Stainless Steel Blades.
  - \* Easy to use.
  - \* Easy to clean and maintain.
  - \* Control is easy.
  - \* Tilting boiler with easy material discharging.
  - \* It works with speed control inverter and with machine speed potentiometer button 600-3000 rev / min. can operate at different speeds.
  - \* Works smoothly and without noise.
  - \* Switch controlled lid and boiler.

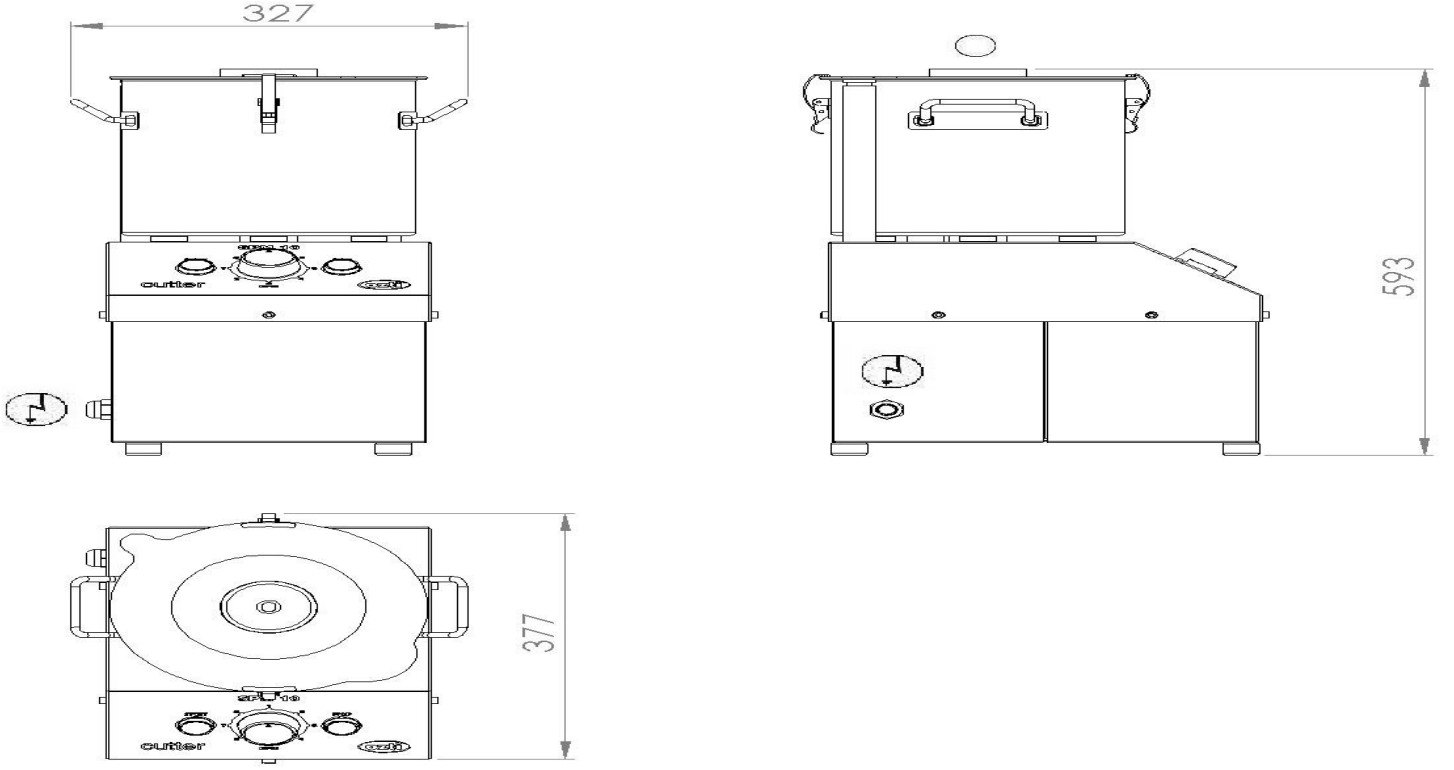
Standart Accessory .....: \*Knife Extraction Apparatus\*Boiler stripping apparatus  
Number of Standart Accessory .....: 2

#### Product Dimensions

Length of Product (mm) .....: 327  
Width of Product (mm) .....: 377  
Height of Product (mm) H .....: 597  
Net Weight (Kg) .....: 35  
Gross Weight (Kg) .....: 40  
Volume of Product (m3) .....: 0,05  
Capacity .....: 10 Lt.

#### Package Dimensions

Leght of Package (mm) .....: 400  
Width of Package (mm) .....: 400  
Height of Package (mm) .....: 740  
Volume of Package (m3) .....: 0,07

Electrical Specifications

Electrical Power (kW) .....: 1,5  
Volt (Monophase/Triphase) .....: 220 - 240V AC  
Electrical Frequency (Hz).....: 50

Gas SpecificationsGas Type



Cumhuriyet Mah.Hadımköy Yolu Caddesi No:8 1Nolu Ba ımsız Bölüm  
Büyüçekmece stanbul VD: BüyükMükellefler VKN: 7080013433

Phone.: 00 90 212 8867800

Fax No: 00 90 212 8867809

Other Technical Specifications

Max Noise (dBA) .....: 78  
Protection Class.....: 1 / IP21