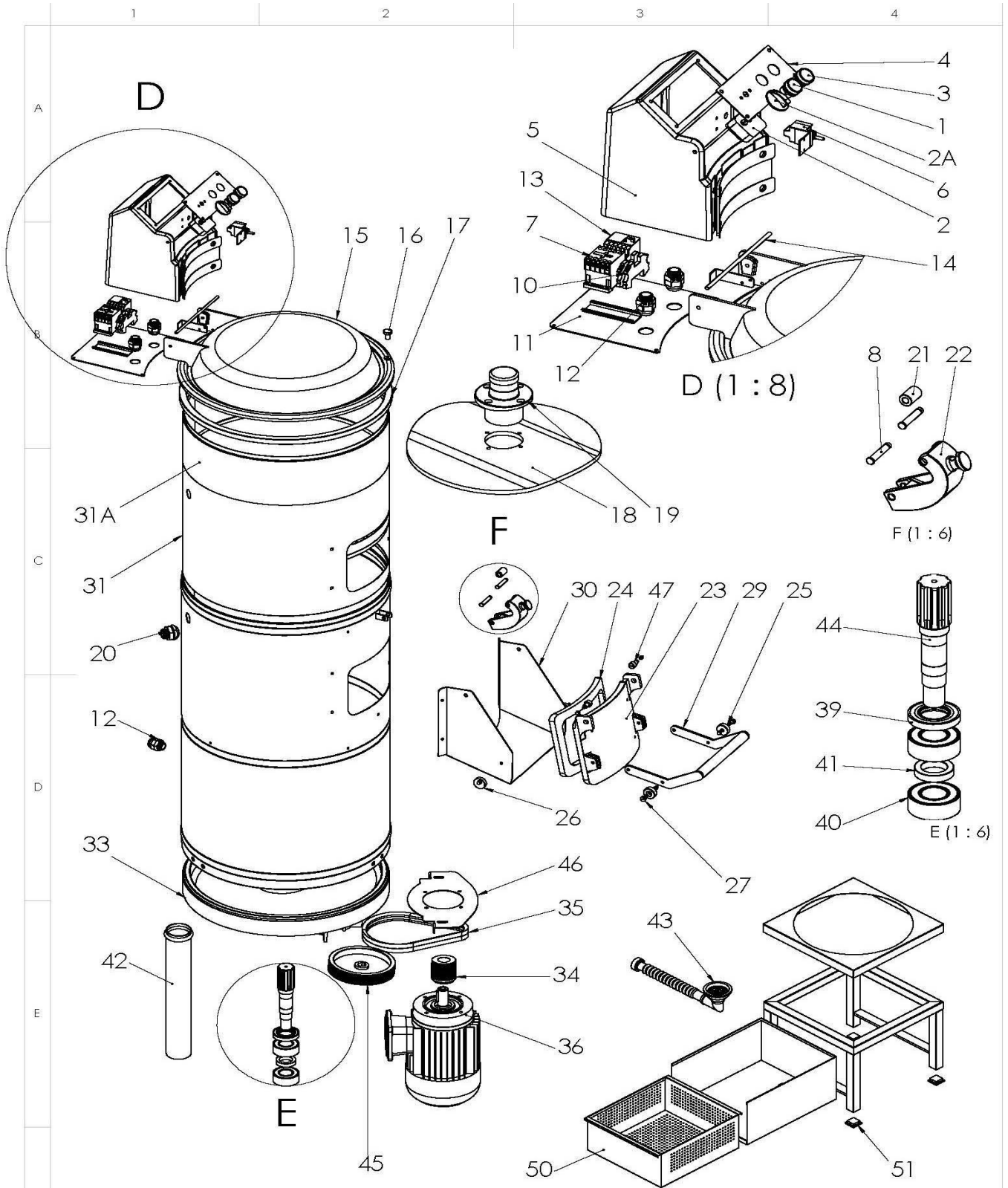




SPARE PART LIST

Spare Part ItemCode	Item name.	PictureId	Price.	Curr.
2840.00010.18	PSM 10 KG ON KAPAK TAKIM			
6232.00010.32	BUTTON START AA31 SMCX	1		
6248.00009.00	TERMINAL STRIPS WGT-4 (EARTH)	10		
2840.00010.52	CONTROL PANEL LOWER PLATE FOR PSM10-20-30	11		
6259.00003.044	COUPLING PG16	12		
6233.00016.11	THERMIC RELAY 1,6-2,4	13		
2KLP.460.00060213.9.01	COVER MOUNTING SHAFT FOR PSM10/20/30KG	14		
2840.00010.54	TRANSPARENT COVER	15		
2KLP.460.10020023.9.01	COVER HANDLE FOR PSM10-20-30KG Q20x23mm	16		
6261.00010.14	SEAL 15*17 FOR PSM COVER	17		
2840.00010.56	PSM 10 KG ZIMPARA KAPLI DISK	18		
2840.00010.57	PLASTIC HANDLE FOR PSM10KG	19		
6259.00002.00	TIMER 0-4	2		
6261.00013.23	PLASTIC WATER SPRAY FOR PSM10-20-30KG	20		
2KLP.460.10018035.9.01	SECURING PULLEY FOR PSM10-20-30KG (Q18x35mm)	21		
2840.00010.49	COVER SECURING PART FOR PSM10-20-30KG	22		
6261.00013.21	PLASTIC FRONT COVER FOR PSM10	23		
6261.00010.02	FRONT COVER GASKET FOR PSM10	24		
2KLP.460.10030010.9.01	FRONT COVER PULLEY FOR PSM10-20-30KG STAINLESSSTEEL	25		
2KLP.460.10030012.9.01	ARM PULLEY FOR PSM 10-20-30KG	26		
2KLP.460.30012023.9.01	STAY BOLTS OF ARM PULLEY FOR PSM 10-20-30KG	27		
2KLP.460.30016032.9.01	STAY BOLTS OF OF FRONT COVER FOR PSM 10-20-30KG (Q16x32mm)	28		
2840.00010.21	FRONT COVER ARM FOR PSM10KG	29		
6606.00001.06	ZAMAN SAATI DUGMESI DIEL 4 DK	2A		
6232.00010.31	BUTTON STOP AA42 SMCX	3		
2840.00010.17	FRONT COVER GUIDE FOR PSM10 KG	30		
2840.00010.60	BOWL FOR PSM10KG	31		
6002.00015.00	SAND PAPER 300MM-36 SX693	31A		
2KLP.460.03850086.9.01	MOTOR FIXING MIDDLE PART FOR PSM10KG	33		
2840.00010.63	PSM 10 KG MOTOR KASNAK	34		
6263.00006.01	T BELT 559J HUTCHINSON	35		
6228.00011.05	SHAFT SEALING 25*42*10	39		
2840.00010.50	CONTROL PANEL PLATE FOR PSM10-20-30KG	4		
6211.00210.00	BEARING 6004	40		
2KLP.460.10360033.9.01	DISTANCE PART OF BEARING FOR PSM10KG	41		
6261.00013.24	FILTER DRAIN PIPE Q100	43		
2KLP.460.30350142.9.01	MOTOR SHAFT FOR PSM 10KG (Q35x142mm)	44		
2840.00010.67	PSM 10 KG KAYIS KASNAK	45		
2840.00010.68	MOTOR FIXING PLATE FOR PSM10KG	46		
2840.00010.51	CONTROL BOX FOR PSM10-20-30KG	5		
6261.00011.00	PLASTIC PART OF OM10 MIXER BASE	51		
6232.00006.00	SWITCH	6		
6230.00014.12	MINI CONTACTOR DILEEM-10 XTMC6A10 3KW MOELLER	7		
2KLP.460.10010047.9.01	SECURING PIN FOR PSM10-20-30KG (Q10x47)	8		



F	R&D	İSİM	İMZA	TARİH	MATERIAL	TOLERANS
ÇİZEN	A.YILMAZ			01.02.2016		DIN 7168 ORTA
KONTROL	M.HACI			01.02.2016		
ONAY	M.HACI			01.02.2016	KALINLIK	REVİZYON 0
RESİM ÜZERİNDEN ÖLÇÜ ALMAYINIZ!		ÖLÇÜLER mm CİNSİNDEN DİR		AĞIRLIK (gr.)	ÖLÇEK	

öztiryakiler

PARÇA ADI: PATATES SOYMA MAKİNASI 10 TRİFAZE FİLTRELİ

T.RESİM NO: 0840.00010.21