



SPARE PART LIST

Spare Part ItemCode	Item name.	PictureId	Price.	Curr.
6218.00002.17	M5 blind fastener self lock			
6213.00002.39	M5*10 stud bolt inox			
6215.00001.02	M6 washer supporting ring			
6606.00001.12	Grommet rubber Ø8x16			
6262.00033.33	Washing&Rinsing Arm (Completely) plst.			
6234.00001.86	TERMOSTAT BIMETAL LIMIT RESETSIZ-OTOMATIK 95 C (MERCIMEK TIP)			
6238.00003.00	KABLO BAGI CV-100 2,5 (100 AD/PK)			
6221.00001.020	Clamp 12x20			
6262.00003.06	Slide pulley bolt			
6215.00001.03	Ring M8			
6214.00014.04	M5 hex nut with flange			
6214.00014.04	M5 hex nut with flange			
6228.00001.35	Q RING 35MM*1,5MM			
2710.F0025.03	Plastic Washing-Rinsing Elbow(Top)			
6262.00027.05	Suction filter lower part			
6228.00001.36	ORING Q35*2,5 mm			
6262.00041.044	HOOD H TYPE YAY SUSTASI BURCU PASLANMAZ			
6214.00002.03	M10 GALVENİZ SOMUN			
2710.01000.25	BYM 1080 HOOD TYPE UST KAPAK TOPLANMIS (25 LT)			
6213.00001.01	M4x10 INOX PAN HEAD CROSS RECESSES SCREW			
6214.00013.15	M8 nylon insert lock nut			
2710.10004.07	BYM 1080 HOOD TYPE MANYETIK SWITCH ve PROSESTAT BAGLANTI SACI			
6216.00015.00	M4 serrated lock washer			
6261.00014.320	Yellow Label (VOLTAGE)			
6232.00005.16	PIC MANYETIK SENSOR MS-328-3-0500			
6213.00002.29	M3*8 YHB INOX VIDA			
2710.F1000.13	PANO TOPLANMIS BYM 1080 DIJITAL			
6214.00014.04	M5 hex nut with flange			
6234.00001.036	REZISTANS KOPRUSU SARI 1 1/2			
6214.00014.01	M6 hex nut with flange			
8740.DBB50.00	OPEN RACK			
6262.00062.08	Washing tank heater cover			
8740.0TB50.00	RACK BASE FOR PLATE AND TRAY			
6260.00090.89	ETIKET CIKARTMA 220-240 V NPE 50HZ 5*2 CM (47)			
6214.00014.01	M6 hex nut with flange			
6248.00017.01	KLEMENS NO 0 YANMAZ			
6262.00018.30	ETIKET DIKKAT! ATTENTION! ACHTUNG! BHNMAHNE! 17*5 CM(28)			
6213.00002.33	M6*10 TEK NOKTA VIDA INOX			
6214.00001.03	M6 hex nut			
6226.00021.13	Grommet for Drain Hose			
6262.00041.03	NAVEL AXLES			
6262.00030.05	Ring of Water Canalize			
6214.00014.01	M6 hex nut with flange			
6215.00001.03	Ring M8			
6215.00001.03	Ring M8			
6221.00001.050	Clamp 50x70			
6226.00004.030	gasket , black (outer Q72/innerQ45/thickness:3mm)			
2710.F1000.03	1080 BOILER TANK (OZTI HOOD TYPE)			
2710.01000.13	BYM 1080 HOOD TYPE KAPAK KALDIRMA BORU KOL TOPLANMIS (25 LT KAZAN)			
6262.00003.20	KIZAK MAKARASI 1080 T/S			
6262.00026.03	Air trap (Plastic)			
6226.00006.02	Gasket for air trap			
6262.00021.071	Washing pump connecting Hose			
6214.00013.15	M8 nylon insert lock nut			
6262.00039.00	PUL DIS 30 x IC 10 x 2 mm 430 KALITE			
2710.11002.26	BYM 1080 HOOD TYPE UST KAPAK ARA BAGLANTI			
6214.00014.01	M6 hex nut with flange			
2710.10011.03	BYM 1080 HOOD TYPE YIKAMA MOTOR UST KORUMA SACI			
6262.00008.00	3/4 PLASTIC VALVE			
6228.00001.110	Q RING 12,37*2,62			
6262.00027.06	Suction filter center part			
6227.00007.07	Hose blue Q6x1mm dosing system			
6262.00021.78	HORTUM BASKILI DURULAMA Y PARCA HOOD TYPE OBM 1080 (Rekorlu 570x630x570 mm) UZUN SASE			
6262.00047.041	Handle spring plate blank filling part			
2710.F0001.01	door type Magnet with cover			
2710.00501.58	OBY 500 GOVDE TERMOSTAT PROB UCU			
6218.00002.17	M5 blind fastener self lock			



Cumhuriyet Mah.Hadımköy Yolu Caddesi No:8 1Nolu Bağımsız Bölüm
Büyükcemece İstanbul VD: BüyükMükellefler VKN: 7080013433

Phone.: 00 90 212 8867800

Fax No: 00 90 212 8867809

Page 2

071D.00110.BB

HOOD TYPE DISHWASHER (DIGITAL & HALF TANK) OBM 1080D RT

Version No: V21.03

9099.01000.13	Washing Tank heater 2000W 230V
6221.00001.030	CLAMP 32*50 MM
6262.00032.05	Hook tie-rod for spring M10 partial threaded
6214.00013.10	M6 nylon insert lock nut
6262.00021.38	Hood type washing distribution hose
6214.00013.15	M8 nylon insert lock nut
6262.00062.01	Boiler tank heater cover
6221.00001.040	CLAMP 40-60MM
2710.550.00250125.0.01	HOOD H TYPE KAPAK SUSTASI 25X142X4 LAZER ISLENMIS
6215.00001.01	M5 INOX PUL
2710.01000.24	BYM 1080 HOOD TYPE ARKA SASE - YIKAMA KAZAN TOPLANMIS (25 LT)
2710.F0024.03	OBY 35/40 Wash Collector
6241.00007.02	cabl terminal
6262.00021.18	Boiler Hose(inlet)
6262.00047.05	Hood spring
6262.00043.02	PCB FOR POWER CIRCUIT 120.02.072
2710.11049.50	BYM 1080 HOOD TYPE REZISTANS SABITLEME ve ISI ILETIM SACI
6214.00005.00	NUT M5 S/S WITH DOMED CAP
6212.00002.07	M6x10 hex bolt with flange
6262.00041.04	YIKAMA MILI SAPKASI M8*10mm 6K INOX
6262.30666.013	Rinse-aid connection check valve
6259.00003.94	Blind stop with nut PG21
2710.11001.08	BYM 1080 HOOD TYPE ALT SASE DIJITAL ON PANEL YARIM KAZAN
6214.00001.01	NUT M4
6222.00027.01	CEKVALF PLASTIK DN20 (20MM 3/4" PLASTIK VENTIL ICIN)
6262.00033.04	WASHING PIPE UPPER PARTS
6213.00005.10	SAC VIDASI 3.5*16 YSB INOX
6215.00001.02	M6 washer supporting ring
6262.00003.060	Spring connection shaft
2710.550.00120030.0.01	Hood H type spacer for hinges
6214.00014.04	M5 hex nut with flange
6262.00021.07	Pressure switch connection hose Q8*4mm
2710.1080H.05	Stainless Steel Strainer
6011.00010.05	packing belt poliester 11*070 mm green
2710.01000.18	BYM 1080 HOOD TYPE ALT SASE TOPLANMIS (25 LT)
6226.00004.040	GASKET-BLACK(EXT DIM Ø69/ DIM IN Ø55/K.4_5MM EPDM)
6262.00021.13	Water discharge hose Ø30x250 cm double sided
6262.00028.07	Hood H type drain plug
6215.00001.03	Ring M8
6262.00066.04	Bushing for spring hook tie-rod
6262.00022.13	Hood handle side guide
6214.00014.03	M4 hex nut with flange
6259.00003.10	CABLE GLAND PG 21
6218.00002.15	M4 inox reduced head blind hex body fastener
6262.00800.016	KOLI BYM 1080 HOOD TYPE GIYOTIN MODEL 785x715x1481 DOPEL KOLI
6262.00018.18	Yellow label (Grounding)
6262.00043.04	Data Cable 120.02.066
6262.00067.41	KABLO GRUBU 1080 +EKO1000 T/S -TOPRAKLAMA
6213.00001.01	M4x10 INOX PAN HEAD CROSS RECESSES SCREW
6214.00001.00	M3 INOX HEX NUT
6221.00001.121	Hose clamp 20-32 mm
2710.00502.99	Handle cut over
6213.00001.01	M4x10 INOX PAN HEAD CROSS RECESSES SCREW
2710.57885.01	BYM 1080 HOOD TYPE OZTIRYAKILER SEPET OTURAGI KOMPLE
2EKO.PFBLYM.020	PALET FIRINLI BLYM - OBM 1080 - 78x71
6011.00011.04	KOSEBENT KARTON 40*40*4 mm / BOY 100 mm - BASKISIZ
6221.00001.120	CLAMP 25*42 MM
6213.00001.46	M5*10 RYSB INOX VIDA
8740.CKB50.00	RACK BASE FOR CUTLERY
6238.00003.00	KABLO BAGI CV-100 2,5 (100 AD/PK)
6238.00003.01	CABLE TIE CV-150*3,6MM
6238.00005.00	CABLE TIE CV-250*3,6MM
6214.00013.15	M8 nylon insert lock nut
6214.00001.00	M3 INOX HEX NUT
6213.00001.01	M4x10 INOX PAN HEAD CROSS RECESSES SCREW
6262.00027.07	Suction filter top part
6226.00004.07	Suction filter seal
6262.00007.01	PRESSURE SWITCH 45-20
6215.00001.18	PUL DIS 20 mm x IC 4,2 mm x 1 mm (INOX 430 KALITE)

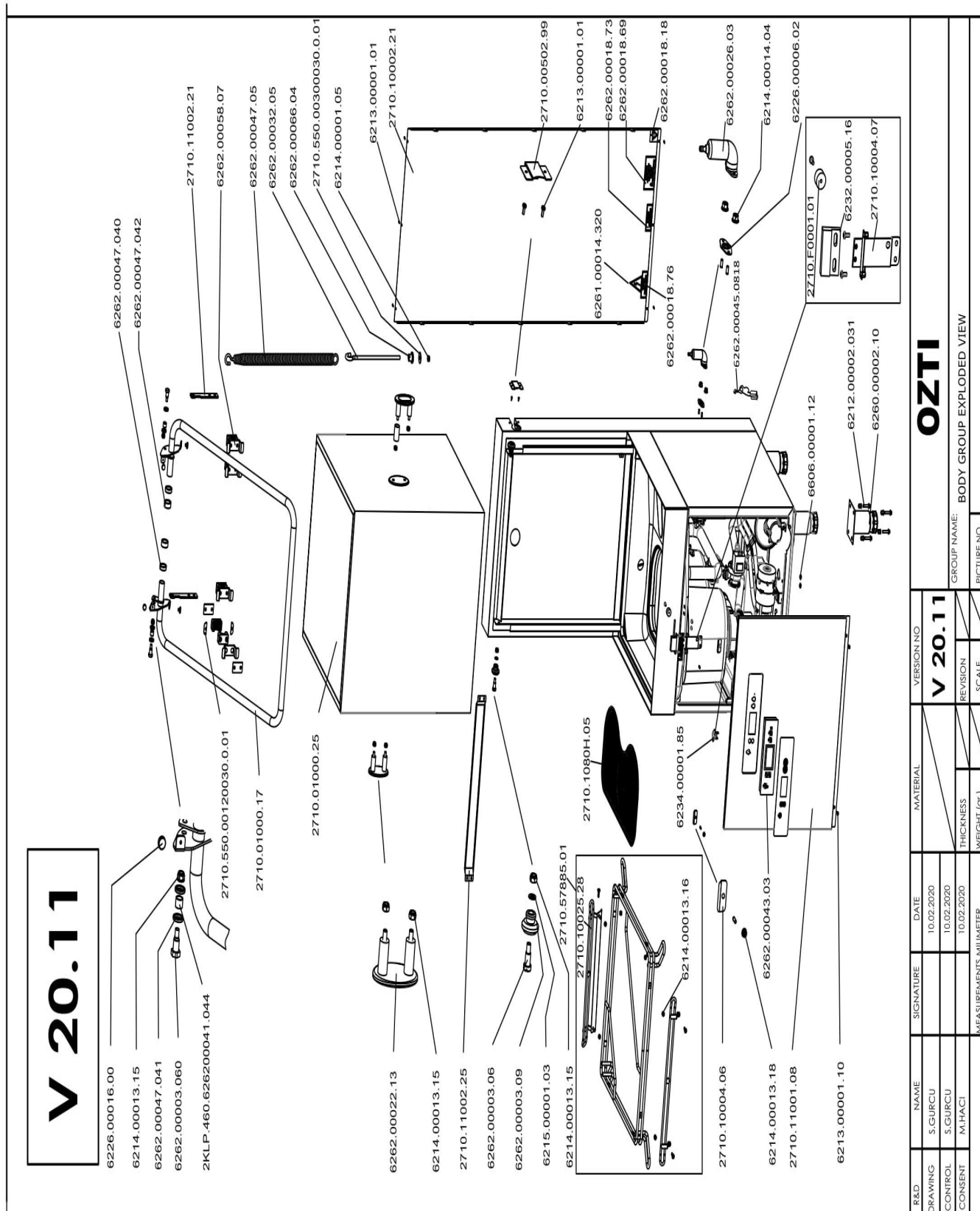


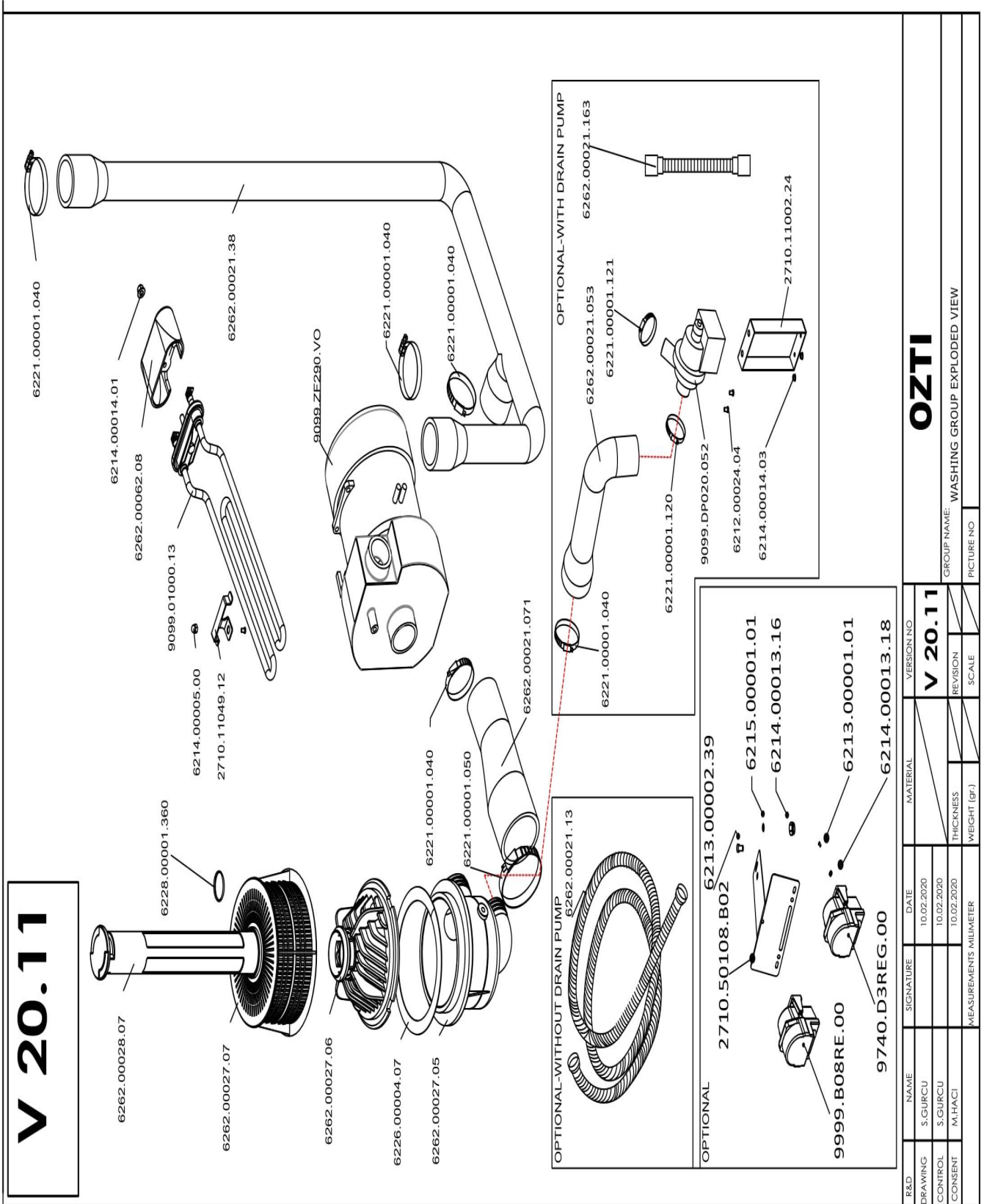
071D.00110.BB

HOOD TYPE DISHWASHER (DIGITAL & HALF TANK) OBM 1080D RT

Version No: V21.03

6213.00002.39	M5*10 stud bolt inox	
6259.00003.90	Blind stop with nut PG7	
6212.00002.08	M6x15 hex head screw	
6262.00033.06	BYM 1080 YIKAMA BORUSU UST PARCASI SOMUNU	
6214.00013.16	M5 nylon insert lock nut	
6214.00013.18	M4 nylon insert lock nut	
2710.10002.21	Rear external cover	
9099.ZF290.VO	Washing Pump LGB ZF290V SX	
6226.00010.01	Klinger gasket 1/2"	
6262.00047.042	Handle support plate blank filling part-right	
6213.00002.11	M5x15 S/S COUNTERSINKING HEAD CROSS RECESS SCREW	
6213.00002.33	M6*10 TEK NOKTA VIDA INOX	
6214.00014.01	M6 hex nut with flange	
6262.00021.12	3/4" Water Inlet Hose	
9099.00001.85	TERMOSTAT LIMIT RESETSIZ 75 C (MERCIMEK TIP) T1/11-75/55C	
6215.00001.01	M5 INOX PUL	
6262.00058.07	Clamp assembly for hood pipe arm Q25 polyemid	
6262.00043.06	Tank Probe 120.02.068	298
6262.00045.0822	BYM 1080 DIJITAL KART SEVIYE SENSOR KABLOSU 142 CM SOKETLI	316
6262.00043.05	Boiler Probe 120.02.067	317
6262.00045.0821	BYM 1080 DIJITAL KART KAPAK SENSOR KABLOSU 92 CM SOKETLI	318
6262.00021.163	Water discharge hose double sided 200cm	41
6262.00021.053	Drain pump connection hose	49
9099.DP020.052	Drain Pump DP020-052 with fixing bracket	50
9099.R63T3.30	RINCING PUMP	68
6262.00021.18	Boiler Hose(inlet)	69
9099.01000.06	HEATING ELEMENT 9000 W IRCA INCOLAY 800 (1080-1500-2000 BOILER)	72
6221.00001.020	Clamp 12x20	77





OZTI

V 20.11

R&D	NAME	SIGNATURE	DATE	VERSION NO
DRAWING CONTROL	S.GURCU		10.02.2020	
CONTROL	S.GURCU		10.02.2020	
CONSENT	M.HACI		10.02.2020	
MEASUREMENTS: MILLIMETER				SCALE
GROUP NAME: WASHING GROUP EXPLODED VIEW				PICTURE NO

