

Index PDF	Référence	Designation commerciale
A	119178	PCB R30 PLUS 400/50
B	59139	CONTROL PANEL ASSEMBLY
M	303134S	MOTOR ASSY R30 400/50/3
1	59128	HINGE ASSEMBLY
2	59273	LID ARM SAFETY
3	501258S	POSIT SAFETY BUTTON
4	507250S	SAFETY BUTTON (2PTS)
5	118255S	HINGE FLAT SEAL
6	105912S	VCM G3 SAFETY SWITCH CAM
7	118126S	HINGE BUSH
8	501424S 118126S	SEALING RING SIMRI 20X30X
9	119206S	RIGHT LID TUBE R30
10	119207S	LEFT LID TUBE R30
11	59506	LID WIPPER ASSEMBLY
12	59395	BLX8-20 SCRAPER ARM HANDLE
13	59507	FLEXIBLE LID SCRAPPERS (X2)
14	59508	LID WIPPER SUPPORT
15	59505	LID SUPPORT ASSEMBLY
16	59504	LID SUPPORT
17	118132S	ARM REED SWITCH VCM
18	59131	ARM CLIP ASSEMBLY
19	57074	STRAIGHT BLADE
20	57075	KNIFE WITH COARSE SERR.BLADE
21	57077	KNIFE WITH FINE SERR.BLADE
22	105904S	R23/R30 BLADE LOCKING

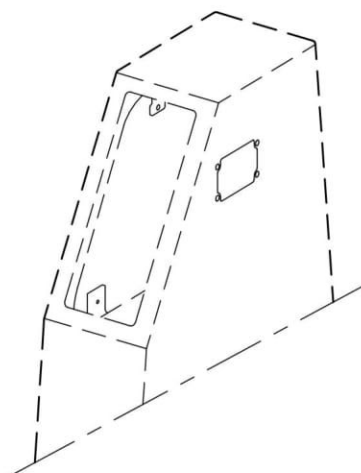
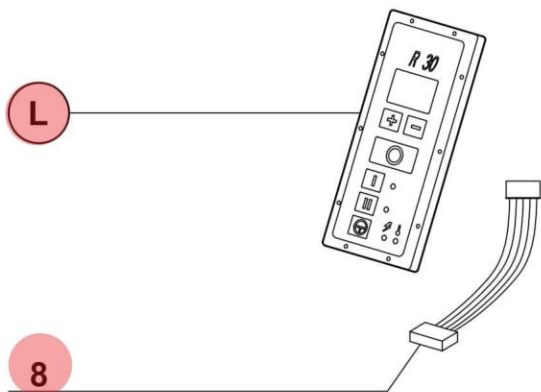
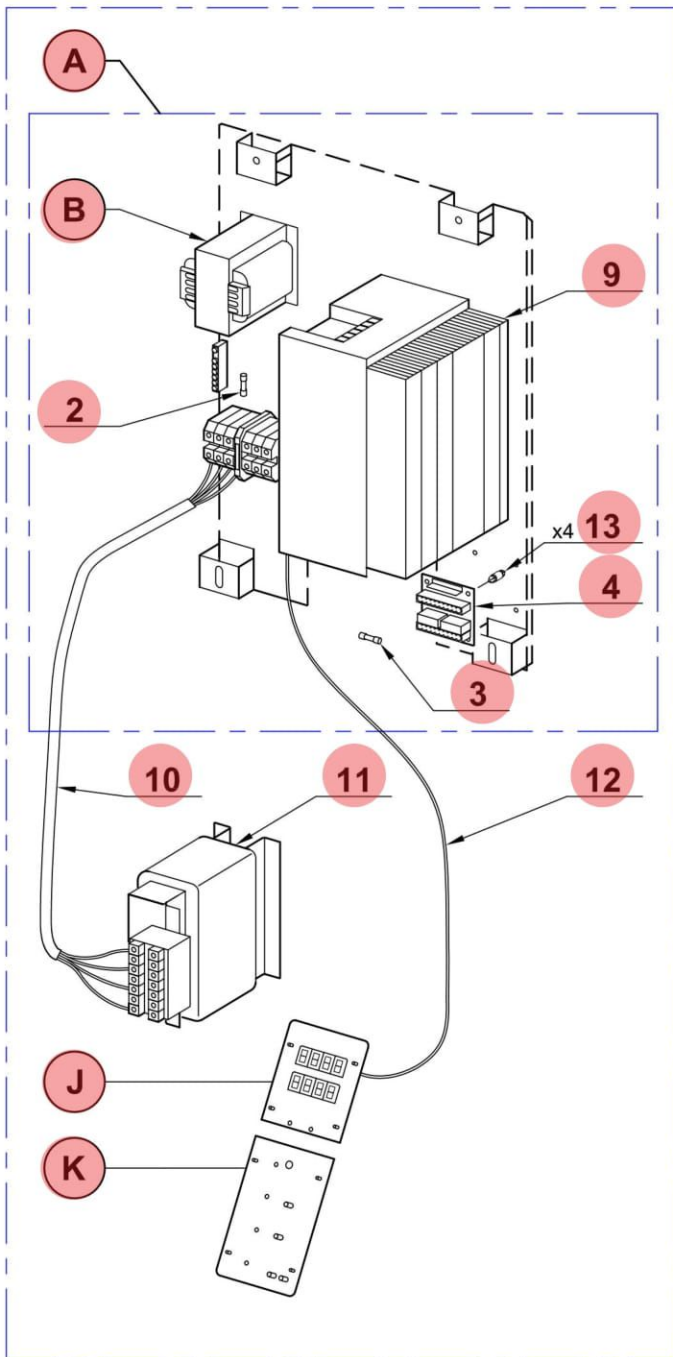
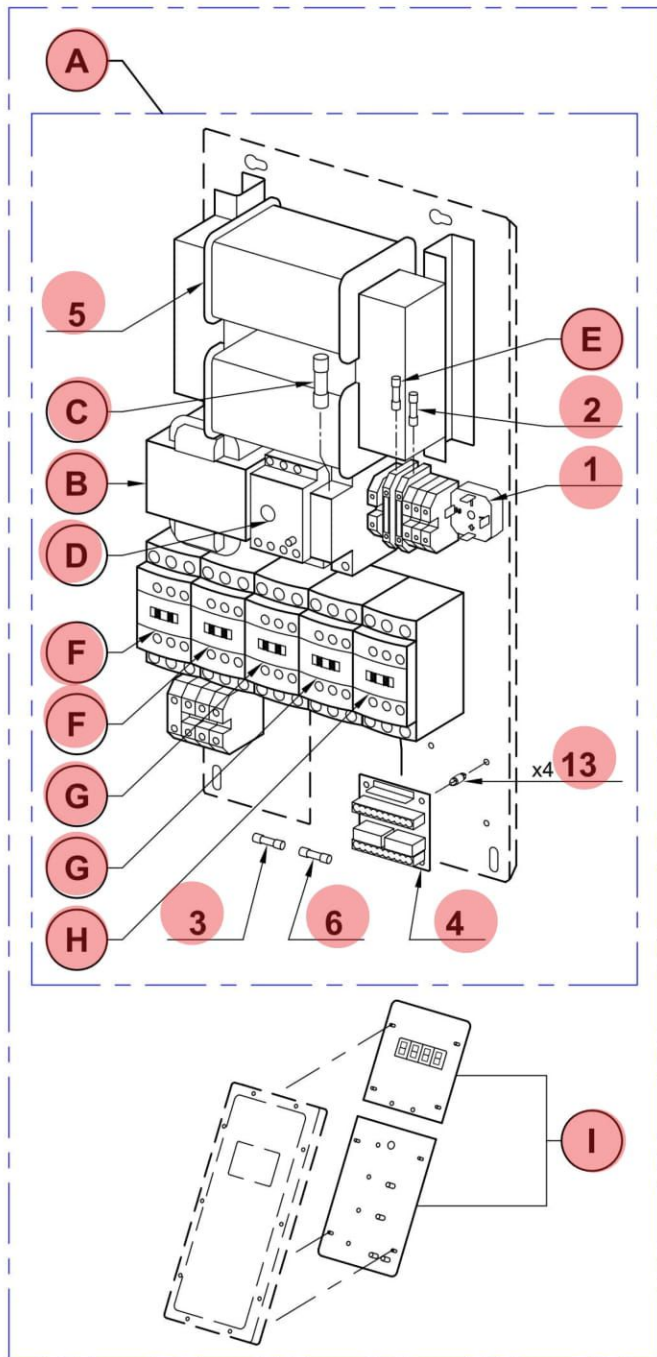
23	105906S	R23/R30 PLASTIC WASHER
24	118201S	BLADE SPACER 10MM
25	117950S	R30 STRAIGHT BLADE
26	118200S	BLADE SPACER 32MM
27	117930S	BLADE SUPPORT R23/R30
28	118241S	FINE SERRATED BLADE
29	118286S	R30 COARSE SERRATED BLADE
30	118268S	R45 KNIFE TOOL
31	119200S	KNIFE TOOL
32	117935S	CASING ACCESS DOOR R23/30
33	118256S	DOOR SEAL R23/R30
34	118127S	ARM SAFETY WIRING
35	59135	TILTING BACK AXLE ASSEMBLY
36	118146S	BACK TILTING PIVOT SPACER
37	118147S	BACK THRUST WASHER
38	118148S	BACK BEARING BUSH
39	117959S	TILTING THRUST
40	507007S	SWITCH
41	117934S	CASING R23/R30
42	118186S	CASING FOOT VCM
43	502687S	R40 POWER CORD
44	501773S	LOCKING CABLE GROMMET D19
45	59313	LID CONE
46	59318	LID SUPPORT
47	119259S	LID LATCH RUBBER STOP
48	119267S	LID LATCH G3
49	59272	VCM LID HANDLE ASSEMBLY

50	59518	LID
51	119264S	R30 G3 LID SEAL
52	59132	BOWL ASSEMBLY
53	118171S	COMPLETE SAFETY PLUG
54	59221	SHAFT SEALS ASSEMBLY
55	507168S	R30 SHAFT TOP SEAL RING
56	118153S	BOWL SEAL
57	501105S	SEALING RING 30X40X7
58	507050S	O RING
59	59165	BOWL THRUST ASSEMBLY
60	118595S	BOWL SUPPORT VCM
61	59133	SEALING SOCKET ASS
62	118151S	UPPER MOTOR COVER R23/R30
63	118155S	MOTOR DEFLECTOR R23/R30
64	59197	MOTOR SUPPORT ASSEMBLY
65	118157S	MOTOR SUPPORT REED SWITCH
66	119199S	BOWL SAFETY SWITCH
67	119194S	BOWL SAFETY SWITCH HARNES
68	59223	TILTING PIVOT STAPLE ASSEMBLY
69	118296S	R23/R30 BOTTOM MOT COVER
70	118150S	SLEEVE BUSH
71	118149S	SLEEVE 107MM R30/R45
72	59137	TILTING FRONT AXLE ASSEMB
73	117936S	STAND R30
74	117958S	STAND FOOT VCM
75	59138	TILTING LOCKING ASSEMBLY
76	118142S	HANDLE VCM

77	208582S	MOTOR SHAFT PIN
78	59439	MOTOR RING KIT
79	118143S	FRONT THRUST WASHER
80	118144S	FRONT HEASING BUSH
81	59551	VCM TILTING AND TIGHTENING SET
82	59552	FRONT COVER KIT VCM
83	59494	LID ANS SEAL ASSEMBLY
84	59204	REAR CASTOR ASSEMBLY (NM)
85	59210	SLANTED CASTOR ASSEMBLY (NM)
86	59203	FRONT CASTOR ASSEMBLY (NM)
88	59008	ADJUSTABLE WEDGE (qty: x5)
89	59009	LID CAP
90	59526	KNIFE RING 14MM (NEW MODEL)
91	59529	STRAIGHT BLADE (NEW MODEL)
92	59534 118241S	FINE SERRATED BLADE (NEW MODEL)
93	59538	SERRATED BLADE (NEW MODEL)
94	59079	SEALS ASSEMBLY R23/30 A
95	59078	MOTOR SEAL ASSY R23/30 A
96	59497	MOTOR DEFLECTOR 23/30
97	59566	UPPER DEFLECTOR AND TORIC SEAL ASSEMBLY 23/30
98	59082	STAINLESS STEEL SCREW M6X16
99	59136	VCM FRAME HOLE CLOSER KIT
100	59553	HANDLE AXIS ASSEMBLY VCM
101	59554	THROUGH NECK RING 23/30
102	59356	COMPLETE MOTOR SHAFT SEALING ASSEMBLY R23-R30

R 30 A

R 30 A V.V.



Index PDF	Référence	Designation commerciale
A	119178	PCB R30 PLUS 400/50
B	503970S	TRANSFORMER 9/24V
C	503356S	BREAK FUSE 20A
D	503960S	THERMAL RELAY 12/18A
E	503106S	SECONDARY FUSE 24V
F	503363S	CONTACTOR 12A
G	503364S	CONTACTOR 18A
H	507174S	CONTACTOR LC1D09B7
I	59482	CONTROL + TIMER PLATE
L	59139	CONTROL PANEL ASSEMBLY
1	511620S	TRANSFORMER 25A
2	500537S	PRIMARY FUSE 9/24V
3	504253S	SECONDARY FUSE 9V
4	117980S	CONNECTION BOARD
5	503971S	TRANSFORMER 48V
6	507121S	SECONDARY FUSE 24V
8	117982S	FLAT LINK CABLE
9	59254	VARIATOR
10	59247	SELF WIRES
11	59248	FILTRE
12	59212	ANALOG IMPUT WIRE
13	59345	[Spare parts translation not found]