



## PRODUCT CODE

PO 5050 DE

PO 5252 DE

PO 6262 DE

PO 6868 DE

PO 6292 DE

PO 9262 DE

PO 9292 DE

PO 5050 E

PO 6262 E

PO 6868 E

PO 6292 E

PO 9262 E

PO 9292 E



## PIZZA OVEN USER MANUAL



# CONTENTS

---

PAGE NO	CONDITIONS
1	COVER
2	CONTENTS
3	PRESENTATION
4-5	TECHNICAL SPECIFICATIONS
6-11	ELECTRICITY SCHEMES
12	WARNING SIGNS
13-15	PRODUCT LABEL INFORMATION
16	SAFETY RELATED DETAILS
17	TRANSPORTATION AND FLOOR REPLACEMENT
18	USING THE DEVICE
19	CLEANING AND MAINTENANCE
20-21	WARRANTY CONDITIONS
22-25	EXPLODED VIEWS – SPARE PART LISTS
26	CE DECLARATION

# PRESENTATION

---

Dear user,

We thank you for choosing our device and for your confidence in our company. Our appliances are used in industrial kitchens in 60 countries together with you. Our device is manufactured in accordance with international standards.

We strongly advise you to read the user manual carefully and read your user manual so that you can get the proper yield from your device and use it for a long time. Before calling our service, we ask you to consider the following warning.

- 
- ☞ Please read the manual carefully before installing and operating the device, so that the user can read it. If you operate the machine without reading the manual, the warranty will be void.
  - ☞ Please read carefully the guide that provides information on the installation, use and maintenance of the product you are purchasing. Ensure that the electrical installation of the appliance is prepared in accordance with legal regulations, without having our authorized service personnel come to install the appliance.
  - ☞ If you are hesitating and do not understand the closest  
Contact your authorized service provider for information.
  - ☞ Costs incurred if the service agent called for assembly is held and  
We remind you that the waiting fee for each hour will be invoiced to your party.
  - ☞ We wish you the best yield from our product ...



# TECHNICAL SPECIFICATIONS

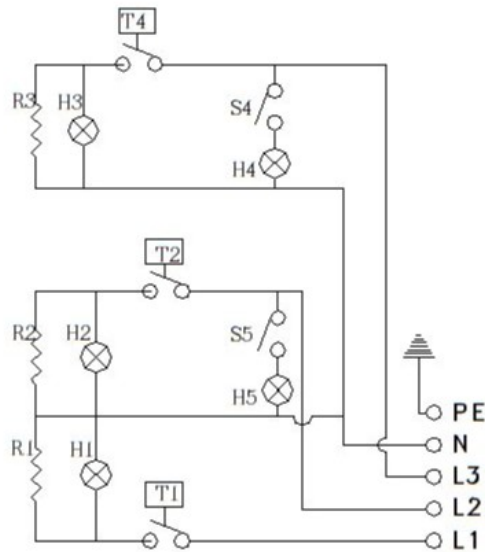
MODEL	PO 5050 DE	PO 5252 DE	PO 6262 DE	PO 6868 DE	PO 6292 DE	PO 9262 DE	PO 9292 DE
EXTERNAL MEASUREMENTS (x-y-z cm)	76 x 75,5 x 51	80 x 75 x 76	88 x 85 x 76	94 x 91,5 x 76	88 x 114,5 x 76	118 x 85 x 76	118 x 114,5 x 76
INTERNAL MEASUREMENTS (X-y-z cm)	50 x 50 x 10	52 x 52 x 15	62 x 62 x 15	68 x 68 x 15	62 x 92 x 15	92 x 62 x 15	92 x 92 x 15
TOTAL ELECTRIC POWER (KW)	6	8	10	11	12	12	16
ELECTRIC SUPPLY VOLTAGE (V)	230/400	230/400	380/400	380/400	380/400	380/400	380/400
OPERATING FREQUENCY (Hz)	50/60	50/60	50/60	50/60	50/60	50/60	50/60
THERMOSTAT INTERVAL (°C)	0-450	0-450	0-450	0-450	0-450	0-450	0-450
FEED WIRING mm (H07 RNF)	5x2,5	5x4	5x4	5x4	5x4	5x4	5x4
PROTECTION CLASS	IP 20	IP 20	IP 20	IP 20	IP 20	IP 20	IP 20
NET WEIGHT (KG)	65	100	115	125	145	145	190
NOMINAL FLOW (A)	20	20	25	25	32	32	32
INSULATION	ROCK WOOL	ROCK WOOL	ROCK WOOL	ROCK WOOL	ROCK WOOL	ROCK WOOL	ROCK WOOL
CURING STONE	SHAMOT STONE	SHAMOT STONE	SHAMOT STONE	SHAMOT STONE	SHAMOT STONE	SHAMOT STONE	SHAMOT STONE
CAPACITY	4+4 Pieces Ø25 cm	4+4 Pieces Ø25 cm	4+4 Pieces Ø30 cm 5+5 Pieces Ø25 cm	4+4 Pieces Ø33 cm	6+6 Pieces Ø30 cm	6+6 Pieces Ø30 cm	9+9 Pieces Ø30 cm

# TECHNICAL SPECIFICATIONS

MODEL	PO 5050-E	PO 6262-E	PO 6868-E	PO 6292-E	PO 9262-E	PO 9292-E
EXTERNAL MEASUREMENTS (x-y-z cm)	76 x 75,5 x 35	88 x 85 x 43	94 x 91,5 x 43	88 x 114 ,5 x 43	118 x 85 x 43	118 x 114,5 x 43
INTERNAL MEASUREMENTS (x-y-z cm)	50 x 50 x 10	62 x 62 x 15	68 x 68 x 15	62 x 92 x 15	92 x 62 x 15	92 x 92 x 15
TOTAL ELECTRIC POWER (KW)	4	5	5,5	6	6	8
ELECTRIC SUPPLY VOLTAGE (V)	230/400	230/400	230/400	380/400	380/400	380/400
OPERATING FREQUENCY (Hz)	50/60	50/60	50/60	50/60	50/60	50/60
THERMOSTAT INTERVAL (°C)	0-450	0-450	0-70	0-450	0-450	0-450
FEED WIRING mm (H07 RNF)	4x2,5	4x2,5	4x2,5	4x2,5	4x2,5	4x2,5
PROTECTION CLASS	IP 20	IP 20	IP 20	IP 20	IP 20	IP 20
NET WEIGHT (KG)	46	65	72	85	85	110
NOMINAL FLOW (A)	16	20/16	20/16	16	16	25
INSULATION	ROCK WOOL	ROCK WOOL	ROCK WOOL	ROCK WOOL	ROCK WOOL	ROCK WOOL
CURING STONE	SHAMOT STONE	SHAMOT STONE	SHAMOT STONE	SHAMOT STONE	SHAMOT STONE	SHAMOT STONE
CAPACITY	4 Pieces Ø25 cm	4 Pieces Ø30 cm 5 Pieces Ø25 cm	4 Pieces Ø33 cm	6 Pieces Ø30 cm	6 Pieces Ø30 cm	9 Pieces Ø30 cm

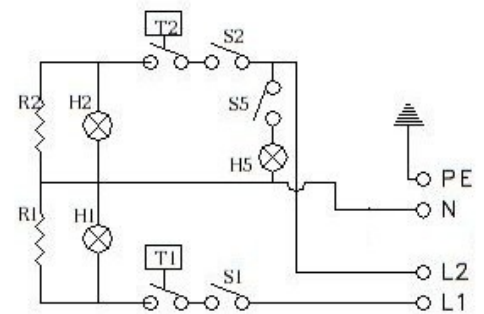
# ELECTRICITY SCHEME

PO 5050 DE



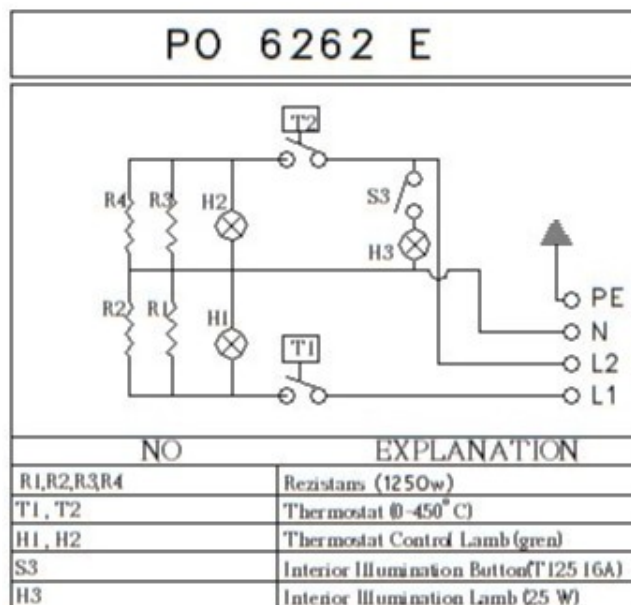
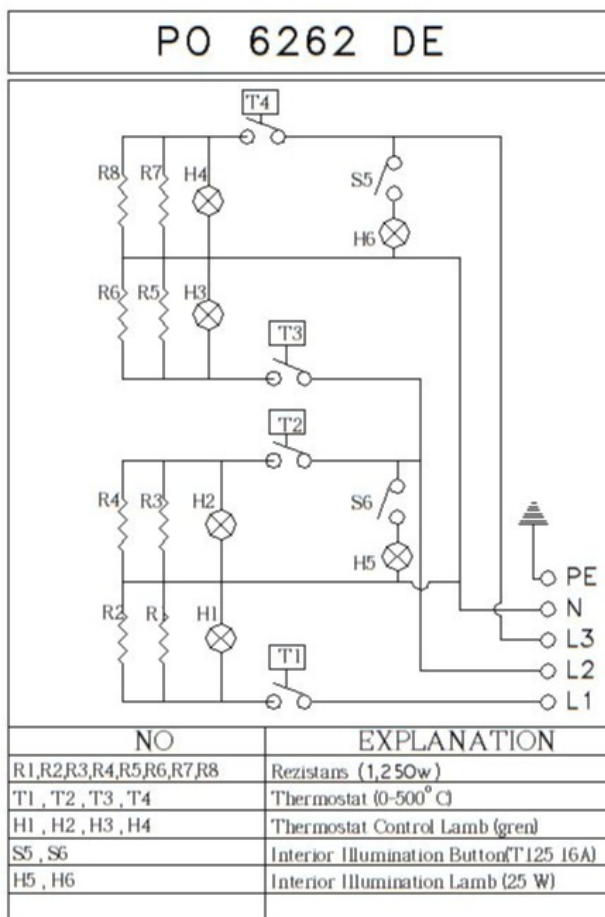
NO	EXPLANATION
R1,R2,R3	Rezistars (2000 w)
T1 , T2 , T3	Termostat (0-500°C)
H1 , H2 , H3	Termostat Control Lamb (gren)
S4 , S5	Interior Illumination Button(T125 16A)
H4 , H5	Interior Illumination Lamb (25 W)

PO 5050 E

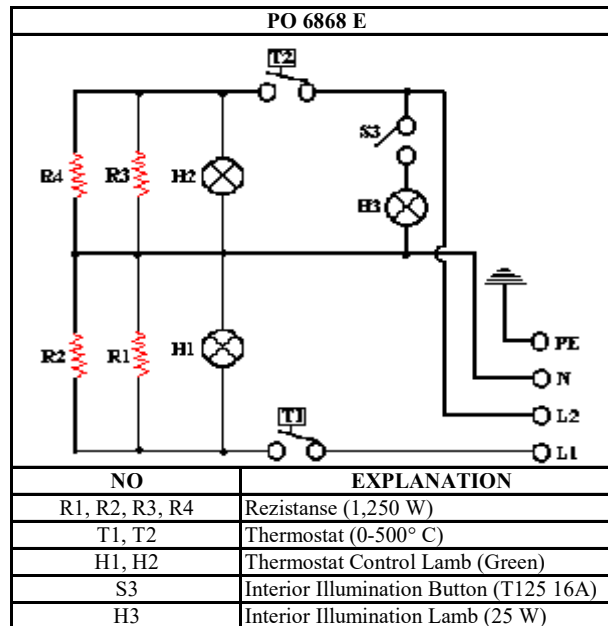
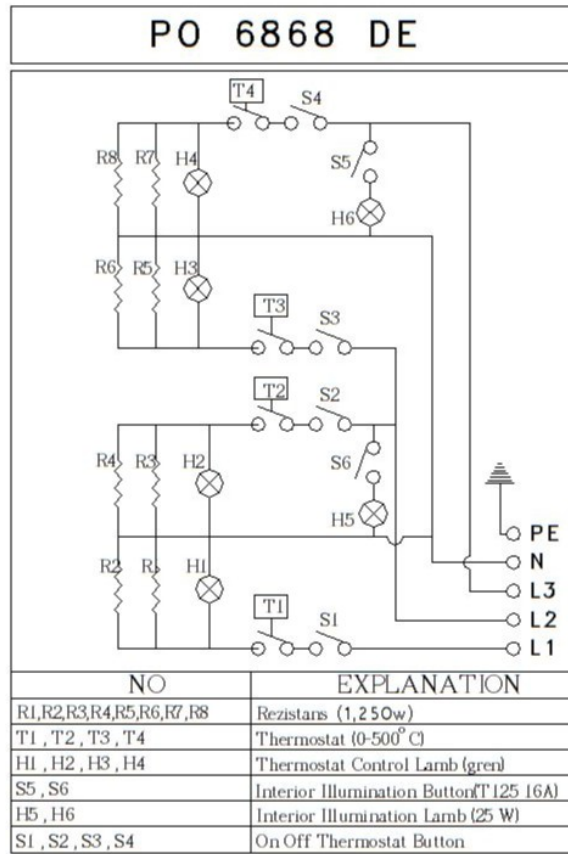


NO	EXPLANATION
R1,R2,	Rezistans (2000 w)
T1 , T2 ,	Termostat (0-500°C)
H1 , H2 ,	Termostat Control Lamb (gren)
S4 , S5	Interior Illumination Button(T125 16A)
H4 , H5	Interior Illumination Lamb (25 W)
S1 , S2	On Off Termostat Button

# ELECTRICITY SCHEME

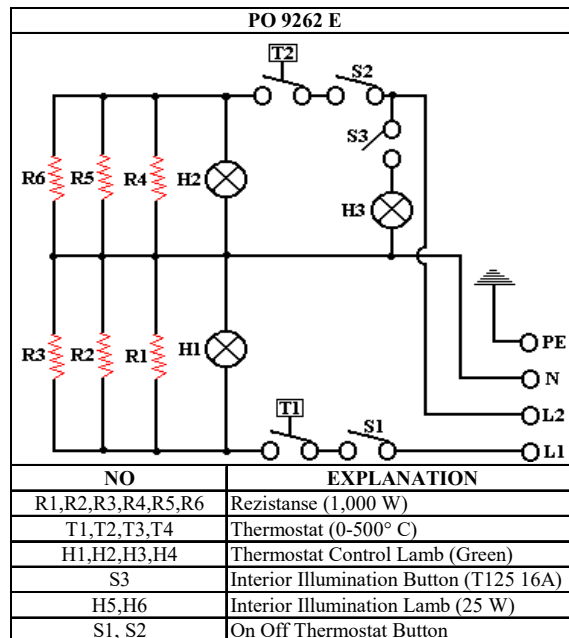
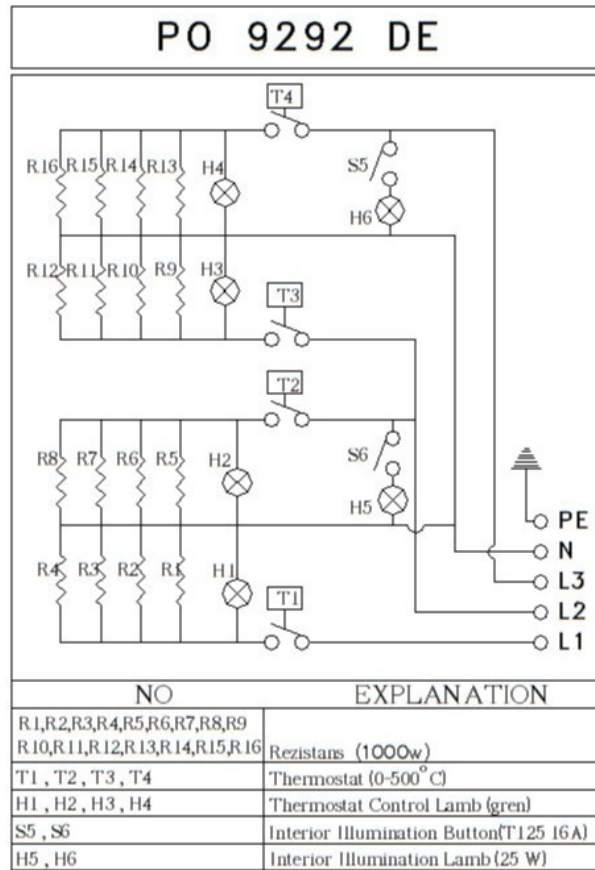


# ELECTRICITY SCHEME

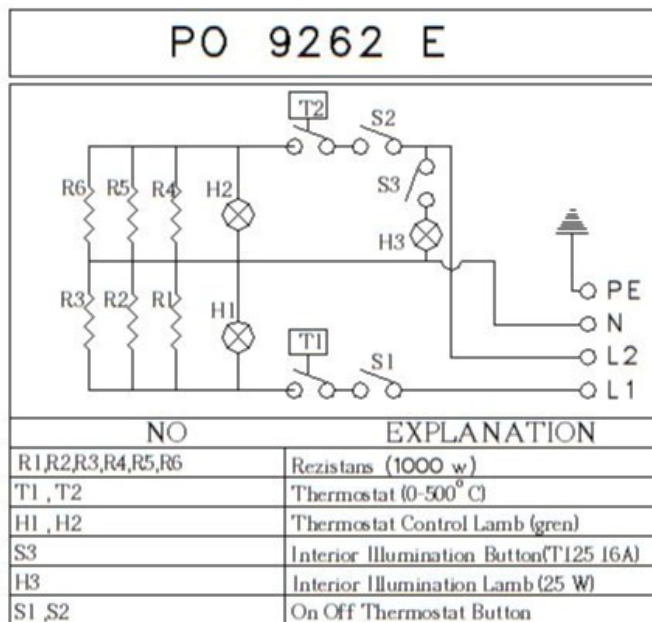
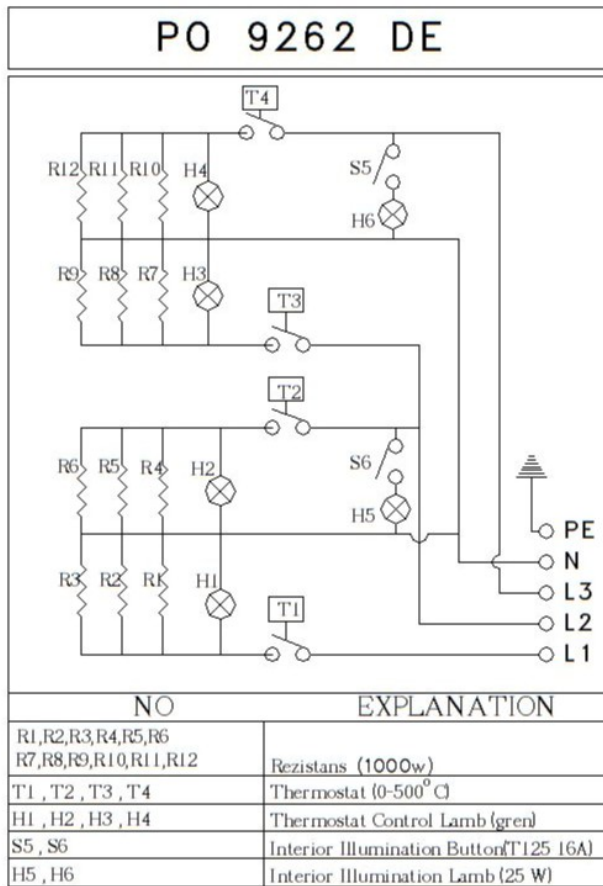




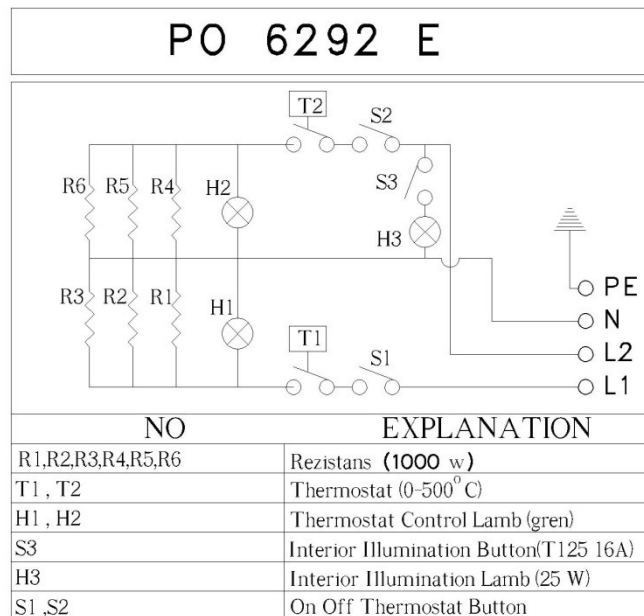
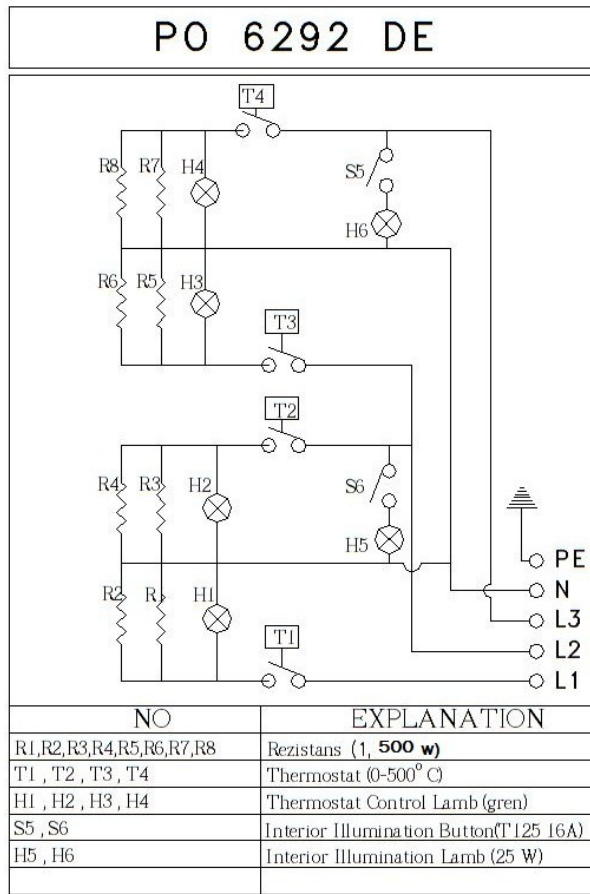
# ELECTRICITY SCHEME



# ELECTRICITY SCHEME



# ELECTRICITY SCHEME

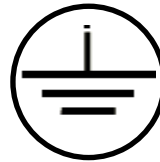


# WARNING SIGNS

---



**PROTECTION SOIL**



**PE**

**NETWORK EARTHING**



**ELECTRICITY**





**EXCELLENT TEMPERATURE**

**ELECTRICAL CONNECTION VALUES**

**380V -400V / 50/60 Hz**



# PRODUCT LABEL INFORMATION

**ELEKTRİKLİ PIZZA FIRINI / PIZZA OVEN**

		TEL : +90 (0232) 257 62 23-33 FAX : +90 (0232) 257 53 03
MODEL ( Type ) <b>PO 5050 E</b>	TARİH ( Date ) <b>08.2019</b>	
SERİ NO ( Serial ) <b>21108</b>	AĞIRLIK ( Weight ) <b>50 Kg</b>	
GÜÇ ( Power ) <b>4 KW</b>	VÖLTAJ / ( Voltage ) <b>230 V F + N</b>	CONNECTING TABLE
FREKANS ( Frequency ) <b>50-60 Hz</b>	IP <b>20</b>	BROWN L1
AKIM / ( Current ) <b>16 A</b>	SINIF ( Class ) <b>1</b>	BLUE N
		YELLOW/GREEN ⊥



SGS MUTFAK EKİPMANLARI LTD.ŞTİ / MADE IN TURKEY  
Cumhuriyet Mah.Balkan Cad.No 20 Yazıbaşı / TORBALI / İZMİR www.sgsoven.com  
info@sgsoven.com

**ELEKTRİKLİ PIZZA FIRINI / PIZZA OVEN**

		TEL : +90 (0232) 257 62 23-33 FAX : +90 (0232) 257 53 03
MODEL ( Type ) <b>PO 5050 E</b>	TARİH ( Date ) <b>08.2019</b>	
SERİ NO ( Serial ) <b>21551</b>	AĞIRLIK ( Weight ) <b>50 Kg</b>	
GÜÇ ( Power ) <b>4 KW</b>	VÖLTAJ / ( Voltage ) <b>400 V 2F + N</b>	CONNECTING TABLE
FREKANS ( Frequency ) <b>50-60 Hz</b>	IP <b>20</b>	BROWN L1
AKIM / ( Current ) <b>16 A</b>	SINIF ( Class ) <b>1</b>	BLACK L2
		GRAY N
		YELLOW/GREEN ⊥



SGS MUTFAK EKİPMANLARI LTD.ŞTİ / MADE IN TURKEY  
Cumhuriyet Mah.Balkan Cad.No 20 Yazıbaşı / TORBALI / İZMİR www.sgsoven.com  
info@sgsoven.com

**ELEKTRİKLİ PIZZA FIRINI / PIZZA OVEN**

		TEL : +90 (0232) 257 52 23-33 FAX : +90 (0232) 257 53 03
MODEL ( Type ) <b>PO 5050 DE</b>	TARİH ( Date ) <b>08.2019</b>	
SERİ NO ( Serial ) <b>19819</b>	AĞIRLIK ( Weight ) <b>80 Kg</b>	
GÜÇ ( Power ) <b>6 KW</b>	VÖLTAJ / ( Voltage ) <b>230 V 1F + N</b>	CONNECTING TABLE
FREKANS ( Frequency ) <b>50-60 Hz</b>	IP <b>20</b>	BROWN L1
AKIM / ( Current ) <b>25 A</b>	SINIF ( Class ) <b>1</b>	BLUE N
		YELLOW/GREEN ⊥



SGS MUTFAK EKİPMANLARI LTD.ŞTİ / MADE IN TURKEY  
Cumhuriyet Mah.Balkan Cad.No 20 Yazıbaşı / TORBALI / İZMİR www.sgsoven.com  
info@sgsoven.com

**ELEKTRİKLİ PIZZA FIRINI / PIZZA OVEN**

		TEL : +90 (0232) 257 52 23-33 FAX : +90 (0232) 257 53 03
MODEL ( Type ) <b>PO 5050 DE</b>	TARİH ( Date ) <b>08.2019</b>	
SERİ NO ( Serial ) <b>21514</b>	AĞIRLIK ( Weight ) <b>80 Kg</b>	
GÜÇ ( Power ) <b>6 KW</b>	VÖLTAJ / ( Voltage ) <b>400 V 3F + N</b>	CONNECTING TABLE
FREKANS ( Frequency ) <b>50-60 Hz</b>	IP <b>20</b>	BROWN L1
AKIM / ( Current ) <b>16 A</b>	SINIF ( Class ) <b>1</b>	BLACK L2
		GREY L3
		BLUE N
		YELLOW/GREEN ⊥



SGS MUTFAK EKİPMANLARI LTD.ŞTİ / MADE IN TURKEY  
Cumhuriyet Mah.Balkan Cad.No 20 Yazıbaşı / TORBALI / İZMİR www.sgsoven.com  
info@sgsoven.com

**ELEKTRİKLİ PIZZA FIRINI / PIZZA OVEN**

		TEL : +90 (0232) 257 52 23-33 FAX : +90 (0232) 257 53 03
MODEL ( Type ) <b>PO 5252 DE</b>	TARİH ( Date ) <b>09.2016</b>	
SERİ NO ( Serial ) <b>00016897</b>	AĞIRLIK ( Weight ) <b>100 KG</b>	
GÜÇ ( Power ) <b>8 KW</b>	VÖLTAJ / ( Voltage ) <b>230 V F + N</b>	CONNECTING TABLE
FREKANS ( Frequency ) <b>50-60 Hz</b>	IP <b>20</b>	BROWN L
AKIM / ( Current ) <b>20A</b>	SINIF ( Class ) <b>1</b>	BLUE N
		YELLOW/GREEN ⊥

SGS MUTFAK EKİPMANLARI LTD.ŞTİ / MADE IN TURKEY  
Cumhuriyet Mah.Balkan Cad.No 20 Yazıbaşı / TORBALI / İZMİR www.sgsoven.com  
info@sgsoven.com

**ELEKTRİKLİ PIZZA FIRINI / PIZZA OVEN**

		TEL : +90 (0232) 257 52 23-33 FAX : +90 (0232) 257 53 03
MODEL ( Type ) <b>PO 5252 DE</b>	TARİH ( Date ) <b>08.2019</b>	
SERİ NO ( Serial ) <b>21565</b>	AĞIRLIK ( Weight ) <b>100 KG</b>	
GÜÇ ( Power ) <b>8 KW</b>	VÖLTAJ / ( Voltage ) <b>400 V 3F + N</b>	CONNECTING TABLE
FREKANS ( Frequency ) <b>50-60 Hz</b>	IP <b>20</b>	BROWN L1
AKIM / ( Current ) <b>20 A</b>	SINIF ( Class ) <b>1</b>	BLACK L2
		GREY L3
		BLUE N
		YELLOW/GREEN ⊥

SGS MUTFAK EKİPMANLARI LTD.ŞTİ / MADE IN TURKEY  
Cumhuriyet Mah.Balkan Cad.No 20 Yazıbaşı / TORBALI / İZMİR www.sgsoven.com  
info@sgsoven.com

# PRODUCT LABEL INFORMATION

ELEKTRİKLİ PİZZA FIRINI / PIZZA OVEN		
<b>SGS</b>		TEL : +90 (0232) 257 52 23-33 FAX : +90 (0232) 257 53 03
MODEL ( Type ) PO 6262 E	TARİH ( Date ) 02.2019	<b>CE</b>
SERİ NO ( Serial ) 21349	AĞIRLIK ( Weight ) 65 Kg	
GÜÇ ( Power ) 5 KW	VOLTAJ ( Voltage ) 230 V 1F + N	CONNECTING TABLE
FREKANS ( Frequency ) 50-60 Hz	IP 20	BROWN L1 BLUE N
AKIM / ( Courrent ) 20 A	SINIF ( Class ) 1	YELLOW/GREEN $\perp$
SGS MUTFAK EKİPMANLARI LTD.ŞTİ / MADE IN TURKEY Cumhuriyet Mah.Balkan Cad.No 20 Yazıbaşı / TORBALI / İZMİR www.sgsoven.com info@sgsoven.com		

ELEKTRİKLİ PİZZA FIRINI / PIZZA OVEN		
<b>SGS</b>		TEL : +90 (0232) 257 52 23-33 FAX : +90 (0232) 257 53 03
MODEL ( Type ) PO 6262 E	TARİH ( Date ) 07.2019	<b>CE</b>
SERİ NO ( Serial ) 22216	AĞIRLIK ( Weight ) 65 Kg	
GÜÇ ( Power ) 5 KW	VOLTAJ ( Voltage ) 400 V 2F + N	CONNECTING TABLE
FREKANS ( Frequency ) 50-60 Hz	IP 20	BROWN L1 BLACK L2 GRAY N
AKIM ( Courrent ) 16 A	SINIF ( Class ) 1	YELLOW/GREEN $\perp$
SGS MUTFAK EKİPMANLARI LTD.ŞTİ / MADE IN TURKEY Cumhuriyet Mah.Balkan Cad.No 20 Yazıbaşı / TORBALI / İZMİR www.sgsoven.com info@sgsoven.com		

ELEKTRİKLİ PİZZA FIRINI / PIZZA OVEN		
<b>SGS</b>		TEL : +90 (0232) 257 52 23-33 FAX : +90 (0232) 257 53 03
MODEL ( Type ) PO 6262 DE	TARİH ( Date ) 09.2019	<b>CE</b>
SERİ NO ( Serial ) 22107	AĞIRLIK ( Weight ) 115 Kg	
GÜÇ ( Power ) 10 KW	VOLTAJ ( Voltage ) 230 V 3F + N	CONNECTING TABLE
FREKANS ( Frequency ) 50-60 Hz	IP 20	BROWN L1 BLACK L2 GREY L3 BLUE N
AKIM ( Courrent ) 32 A	SINIF ( Class ) 1	YELLOW/GREEN $\perp$
SGS MUTFAK EKİPMANLARI LTD.ŞTİ / MADE IN TURKEY Cumhuriyet Mah.Balkan Cad.No 20 Yazıbaşı / TORBALI / İZMİR www.sgsoven.com info@sgsoven.com		



ELEKTRİKLİ PİZZA FIRINI / PIZZA OVEN		
<b>SGS</b>		TEL : +90 (0232) 257 52 23-33 FAX : +90 (0232) 257 53 03
MODEL ( Type ) PO 6262 DE	TARİH ( Date ) 07.2019	<b>CE</b>
SERİ NO ( Serial ) 22107	AĞIRLIK ( Weight ) 115 Kg	
GÜÇ ( Power ) 10 KW	VOLTAJ ( Voltage ) 400 V 3F + N	CONNECTING TABLE
FREKANS ( Frequency ) 50-60 Hz	IP 20	BROWN L1 BLACK L2 GREY L3 BLUE N
AKIM ( Courrent ) 20 A	SINIF ( Class ) 1	YELLOW/GREEN $\perp$
SGS MUTFAK EKİPMANLARI LTD.ŞTİ / MADE IN TURKEY Cumhuriyet Mah.Balkan Cad.No 20 Yazıbaşı / TORBALI / İZMİR www.sgsoven.com info@sgsoven.com		



ELEKTRİKLİ PİZZA FIRINI / PIZZA OVEN		
<b>SGS</b>		TEL : +90 (0232) 257 52 23-33 FAX : +90 (0232) 257 53 03
MODEL ( Type ) PO 6868 E	TARİH ( Date ) 08.2019	<b>CE</b>
SERİ NO ( Serial ) 21460	AĞIRLIK ( Weight ) 91 Kg	
GÜÇ ( Power ) 5.5 KW	VOLTAJ ( Voltage ) 230 V F + N	CONNECTING TABLE
FREKANS ( Frequency ) 50-60 Hz	IP 20	BROWN L1 GRAY N
AKIM / ( Courrent ) 20 A	SINIF ( Class ) 1	YELLOW/GREEN $\perp$
SGS MUTFAK EKİPMANLARI LTD.ŞTİ / MADE IN TURKEY Cumhuriyet Mah.Balkan Cad.No 20 Yazıbaşı / TORBALI / İZMİR www.sgsoven.com info@sgsoven.com		



ELEKTRİKLİ PİZZA FIRINI / PIZZA OVEN		
<b>SGS</b>		TEL : +90 (0232) 257 52 23-33 FAX : +90 (0232) 257 53 03
MODEL ( Type ) PO 6868 E	TARİH ( Date ) 08.2019	<b>CE</b>
SERİ NO ( Serial ) 22349	AĞIRLIK ( Weight ) 91 Kg	
GÜÇ ( Power ) 5.5 KW	VOLTAJ ( Voltage ) 400 V 2F + N	CONNECTING TABLE
FREKANS ( Frequency ) 50-60 Hz	IP 20	BROWN L1 BLACK L2 GRAY N
AKIM / ( Courrent ) 16 A	SINIF ( Class ) 1	YELLOW/GREEN $\perp$
SGS MUTFAK EKİPMANLARI LTD.ŞTİ / MADE IN TURKEY Cumhuriyet Mah.Balkan Cad.No 20 Yazıbaşı / TORBALI / İZMİR www.sgsoven.com info@sgsoven.com		



ELEKTRİKLİ PİZZA FIRINI / PIZZA OVEN		
<b>SGS</b>		TEL : +90 (0232) 257 52 23-33 FAX : +90 (0232) 257 53 03
MODEL ( Type ) PO 6868 DE	TARİH ( Date ) 08.2019	<b>CE</b>
SERİ NO ( Serial ) 22266	AĞIRLIK ( Weight ) 144 KG	
GÜÇ ( Power ) 11 KW	VOLTAJ ( Voltage ) 400 V 3F + N	CONNECTING TABLE
FREKANS ( Frequency ) 50-60 Hz	IP 20	BLACK L2 GREY L3 BLUE N
AKIM / ( Courrent ) 25 A	SINIF ( Class ) 1	YELLOW/GREEN $\perp$
SGS MUTFAK EKİPMANLARI LTD.ŞTİ / MADE IN TURKEY Cumhuriyet Mah.Balkan Cad.No 20 Yazıbaşı / TORBALI / İZMİR www.sgsoven.com info@sgsoven.com		



# PRODUCT LABEL INFORMATION



ELEKTRİKLİ PİZZA FIRINI / PIZZA OVEN		
		TEL : +90 (0232) 257 52 23-33 FAX : +90 (0232) 257 53 03
MODEL ( Type ) <b>PO 6292 E</b>	TARİH ( Date ) <b>08.2019</b>	
SERİ NO ( Serial ) <b>21308</b>	AĞIRLIK ( Weight ) <b>102 Kg</b>	
GÜÇ ( Power ) <b>6 KW</b>	VÖLTAJ ( Voltage ) <b>400 V 2F + N</b>	CONNECTING TABLE
FREKANS ( Frequency ) <b>50-60 Hz</b>	IP <b>20</b>	BROWN L1 BLACK L2 GRAY N YELLOW/GREEN $\perp$
AKIM / ( Current ) <b>20 A</b>	SINIF ( Class ) <b>1</b>	
SGS MUTFAK EKİPMANLARI LTD.ŞTİ / MADE IN TURKEY Cumhuriyet Mah.Balkan Cad.No 20 Yazibaşı / TORBALI / İZMİR www.sgsoven.com info@sgsoven.com		

ELEKTRİKLİ PİZZA FIRINI / PIZZA OVEN		
		TEL : +90 (0232) 257 52 23-33 FAX : +90 (0232) 257 53 03
MODEL ( Type ) <b>PO 6292 DE</b>	TARİH ( Date ) <b>08.2019</b>	
SERİ NO ( Serial ) <b>21164</b>	AĞIRLIK ( Weight ) <b>145 Kg</b>	
GÜÇ ( Power ) <b>12 KW</b>	VÖLTAJ ( Voltage ) <b>400 V 3F + N</b>	CONNECTING TABLE
FREKANS ( Frequency ) <b>50-60 Hz</b>	IP <b>20</b>	BROWN L1 BLACK L2 GRAY L3 BLUE N YELLOW/GREEN $\perp$
AKIM / ( Current ) <b>32 A</b>	SINIF ( Class ) <b>1</b>	
SGS MUTFAK EKİPMANLARI LTD.ŞTİ / MADE IN TURKEY Cumhuriyet Mah.Balkan Cad.No 20 Yazibaşı / TORBALI / İZMİR www.sgsoven.com info@sgsoven.com		

ELEKTRİKLİ PİZZA FIRINI / PIZZA OVEN		
		TEL : +90 (0232) 267 62 23-33 FAX : +90 (0232) 257 53 03
MODEL ( Type ) <b>PO 9262 E</b>	TARİH ( Date ) <b>08.2019</b>	
SERİ NO ( Serial ) <b>21938</b>	AĞIRLIK ( Weight ) <b>85 Kg</b>	
GÜÇ ( Power ) <b>6 KW</b>	VÖLTAJ ( Voltage ) <b>400 V 2F + N</b>	CONNECTING TABLE
FREKANS ( Frequency ) <b>50-60 Hz</b>	IP <b>20</b>	BROWN L1 BLACK L2 GRAY N YELLOW/GREEN $\perp$
AKIM / ( Current ) <b>20 A</b>	SINIF ( Class ) <b>1</b>	
SGS MUTFAK EKİPMANLARI LTD.ŞTİ / MADE IN TURKEY Cumhuriyet Mah.Balkan Cad.No 20 Yazibaşı / TORBALI / İZMİR www.sgsoven.com info@sgsoven.com		

ELEKTRİKLİ PİZZA FIRINI / PIZZA OVEN		
		TEL : +90 (0232) 267 62 23-33 FAX : +90 (0232) 257 53 03
MODEL ( Type ) <b>PO 9262 DE</b>	TARİH ( Date ) <b>07.2019</b>	
SERİ NO ( Serial ) <b>22221</b>	AĞIRLIK ( Weight ) <b>145 Kg</b>	
GÜÇ ( Power ) <b>12 KW</b>	VÖLTAJ ( Voltage ) <b>400 V 3F + N</b>	CONNECTING TABLE
FREKANS ( Frequency ) <b>50-60 Hz</b>	IP <b>20</b>	BROWN L1 BLACK L2 GRAY L3 BLUE N YELLOW/GREEN $\perp$
AKIM / ( Current ) <b>32 A</b>	SINIF ( Class ) <b>1</b>	
SGS MUTFAK EKİPMANLARI LTD.ŞTİ / MADE IN TURKEY Cumhuriyet Mah.Balkan Cad.No 20 Yazibaşı / TORBALI / İZMİR www.sgsoven.com info@sgsoven.com		

ELEKTRİKLİ PİZZA FIRINI / PIZZA OVEN		
		TEL : +90 (0232) 267 62 23-33 FAX : +90 (0232) 257 53 03
MODEL ( Type ) <b>PO 9292 E</b>	TARİH ( Date ) <b>08.2019</b>	
SERİ NO ( Serial ) <b>21433</b>	AĞIRLIK ( Weight ) <b>140 Kg</b>	
GÜÇ ( Power ) <b>8 KW</b>	VÖLTAJ ( Voltage ) <b>400 V 2F + N</b>	CONNECTING TABLE
FREKANS ( Frequency ) <b>50-60 Hz</b>	IP <b>20</b>	BROWN L1 BLACK L2 BLUE N YELLOW/GREEN $\perp$
AKIM / ( Current ) <b>25 A</b>	SINIF ( Class ) <b>1</b>	
SGS MUTFAK EKİPMANLARI LTD.ŞTİ / MADE IN TURKEY Cumhuriyet Mah.Balkan Cad.No 20 Yazibaşı / TORBALI / İZMİR www.sgsoven.com info@sgsoven.com		

ELEKTRİKLİ PİZZA FIRINI / PIZZA OVEN		
		TEL : +90 (0232) 267 62 23-33 FAX : +90 (0232) 257 53 03
MODEL ( Type ) <b>PO 9292 DE</b>	TARİH ( Date ) <b>08.2019</b>	
SERİ NO ( Serial ) <b>22260</b>	AĞIRLIK ( Weight ) <b>217 Kg</b>	
GÜÇ ( Power ) <b>16 KW</b>	VÖLTAJ ( Voltage ) <b>400 V 3F + N</b>	CONNECTING TABLE
FREKANS ( Frequency ) <b>50-60 Hz</b>	IP <b>20</b>	BROWN L1 BLACK L2 GRAY L3 BLUE N YELLOW/GREEN $\perp$
AKIM / ( Current ) <b>32 A</b>	SINIF ( Class ) <b>1</b>	
SGS MUTFAK EKİPMANLARI LTD.ŞTİ / MADE IN TURKEY Cumhuriyet Mah.Balkan Cad.No 20 Yazibaşı / TORBALI / İZMİR www.sgsoven.com info@sgsoven.com		

# SAFETY DETAILS

The appliance must be operated under the hood.

Any kind of solid liquid materials (clothes, alcohol and its derivatives, petro - chemical products, wood and plastic materials, curtains etc) that can be burned in the area where the device is working should never be kept.

Do not clean with pressurized water.

This device must be installed in accordance with current regulations and should only be used in a well-ventilated area. Consult the instructions before installation and use of the device.

The appliance is intended for industrial use only and should only be used by trained personnel.

Use fire extinguishers by closing the gas valves and electrical switches (if any) in the area where the appliance is used for any reason, such as fire flames. Never use water to extinguish the flame.

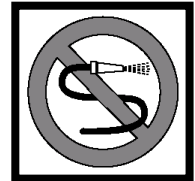
In order to position this appliance close to a wall, compartment, kitchen furniture, decorative covering etc., if they are made of non-combustible material or are covered with a suitable fireproof insulation material, the distance between them should be 5 cm, otherwise at least 20 cm. It is recommended that maximum attention be paid to fire protection regulations.

The feet of the under-counter should be adjusted and the device must be operated on level.

The electrical connection of the device must be checked by a qualified electrician. It must be connected to the fuse at a height of 170 cm.

Electrical connection; The leakage current fuse must be applied to the supply fuse against leakage current risk.

The appliance should be grounded by connecting to the earthing bar on the nearest panel of the electrical installation.





# TRANSPORTATION AND FLOOR REPLACEMENT

---

The device should be placed on a pallet perpendicular to human power.

Forklift feet are placed under the device and the device is moved.

If the distance of the transport distance is remote, the device should be moved slowly, if necessary, the device must be fixed to the palette or should be balanced by a person.

Do not strike and drop the product when handling it.

**ATTENTION ! : DO NOT OPERATE DEPENDING ON YOUR APPLIANCE WITH SOIL RULE**

## CONTROL BOARD

Control Board

A. THERMOSTAT BUTTON

B. LAMP SWITCH

C. LAMBA

D. THERMOSTAT BUTTON

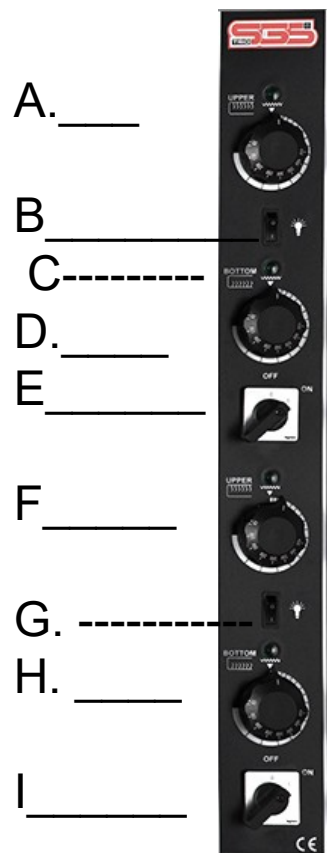
E. PAKO SPECIAL

F. THERMOSTAT BUTTON

G. LAMBA BUTTON

H. THERMOSTAT BUTTON

I. PAKO SPECIAL



# USING THE DEVICE

---

Before using the appliance for the first time, the outer surface should be soaked in warm soapy water and cleaned with a squeezed cloth.

Open the on / off switch

Set the thermostat (250 ° C - 300 ° C). (The green light will light up).

When you start the product for the first time, a smell may originate from the insulating material and the heating elements. For this reason, set all thermostats to 250 ° C and start the product for 45 minutes before starting use.

After the green light goes out, place the pizzas to be cooked

Pizza cooking time is about 7-8 min. At about 280 ° C.

With the key, you can check whether the pizzas are cooked by lighting the lamp.

Once the pizzas are shaved open the lid and take the pizzas. Close the cover again.

Do not cut off the electric power of the oven if you want to save money during short waiting periods while using it, and wait until the thermostat is at 90 ° C (if the oven electricity is cut off, it will cause time and energy loss due to being hot enough for the next cooking process).

Switch off the on / off switch after daily use. Clean the appliance after the power is cut off.

It is recommended to operate the device at temperatures between + 5 ° C and + 40 ° C and at maximum humidity conditions of 65%.

## **APPLICATION LIFE:**

**When used under recommended conditions, the device has a lifetime of 10 years.**

# CLEANING AND MAINTENANCE

---

Clean the oven after the energy connection is disconnected.

Wait for your oven to cool down for cleaning.

Before and after each use, check the inside of your oven and do not leave any material in the oven.

Clean solid waste from baked goods in the oven.

Wipe the inside of your oven with a cloth soaked in warm soapy water. Then wipe again with a damp cloth and dry.

Make sure that approved cleaning materials that can be used in the interior of the oven do not leave residues. Remember that the temperature of use can evaporate and pass through foods.

Surveillance Glasses can be cleaned with glass cleaning materials without leaving residue.

For exterior surfaces, industrial cleaning materials can be used without leaving residue.

During cleaning, do not use cleaning agents such as salt spirit, bleach, dust cleaning material, metal abrasive chemicals (CHEMICAL CLEANING MATERIALS).

Maintenance;

Periodical maintenance must be done by a technical staff. Depending on the frequency of use, max. We recommend that you perform maintenance every 6 months. Even if it is within the warranty period, the maintenance of the appliance by our authorized service personnel is subject to a contract.

## **APPLICATION LIFE:**

**When used under recommended conditions, the device has a lifetime of 10 years.**

# USER INSTRUCTIONS

---



**ATTENTION! : As described in the installation and use of the device**

**Care should be taken to establish and operate it. Any failure To your nearest authorized service**

**Please let us know.**

**INTERFERENCE AUTHORIZATION ON DEVICE FAILURE ONLY RESPONSIBILITIES SERVICE OF AUTHORITIES. AUTHORIZED SERVICES**

**A TECHNICAL ELEMENTARY OR NON-STOPPED PERSONNEL DEVICE INTERVENTION**

**THE DEVICE HAS EXCEPT OF THE WARRANTY SCOPE. NON-AUTHORIZED PERSONS WITH THIS REASON YOU MUST NOT ALLOW THE PERMISSION TO RESPECT THE DEVICE.**

**IN NO EVENT WILL THESE PRODUCER COMPANY BE RESPONSIBLE FOR THE RESPONSIBILITY. AUTHORIZED SERVICES DURING SERVICE**

**ORIGINAL SPARE PARTS WITH ANY REASON USE IS NOT OFFERED. ANY SHAPE THESE ORIGINAL PARTS INSTALLED ON THE DEVICE THE DEVICE DISCLAIMS WARRANTY.**





Our products are entirely free from defects in materials, workmanship, assembly and manufacturing, including all parts, provided that they are not misused and have not been tampered with for repair or other reasons by persons outside the service personnel authorized by Sgs Oven;

1-) Warranty period starts from the delivery date of the goods and is 2 years.

2-) All parts of the product are guaranteed by our company.

3-) In case of malfunction within the warranty period, the period of repair will be added to the warranty period. The repair period of the goods is maximum 20 working days. This period shall commence from the date of notification of the fault of the goods to the service station or, in the absence of the service station, to the seller, dealer, agent, representative, importer or manufacturer of the goods. It is possible for the consumer to make a fault report by telephone, fax, e-mail, registered mail or similar. In case of disagreement, however, the obligation of proof belongs to the consumer. If the malfunction can not be rectified within 10 days, the manufacturer-producer or importer has to allocate to the use of another consumer with similar characteristics until the repair of the goods is completed.

4-) In case of malfunction due to material and workmanship or assembly errors in the warranty period of the goods, the repair will be done without any charge under the name of the cost of the workmanship, the changed parts price or any other name.

5-) Despite the consumer's right to repair;

-The date from the date of delivery to the supplier, within one year, At least four times, or six times within the warranty period specified by the manufacturer, the manufacturer and / or the importer, as well as the continuity of failure of these defects from the property,

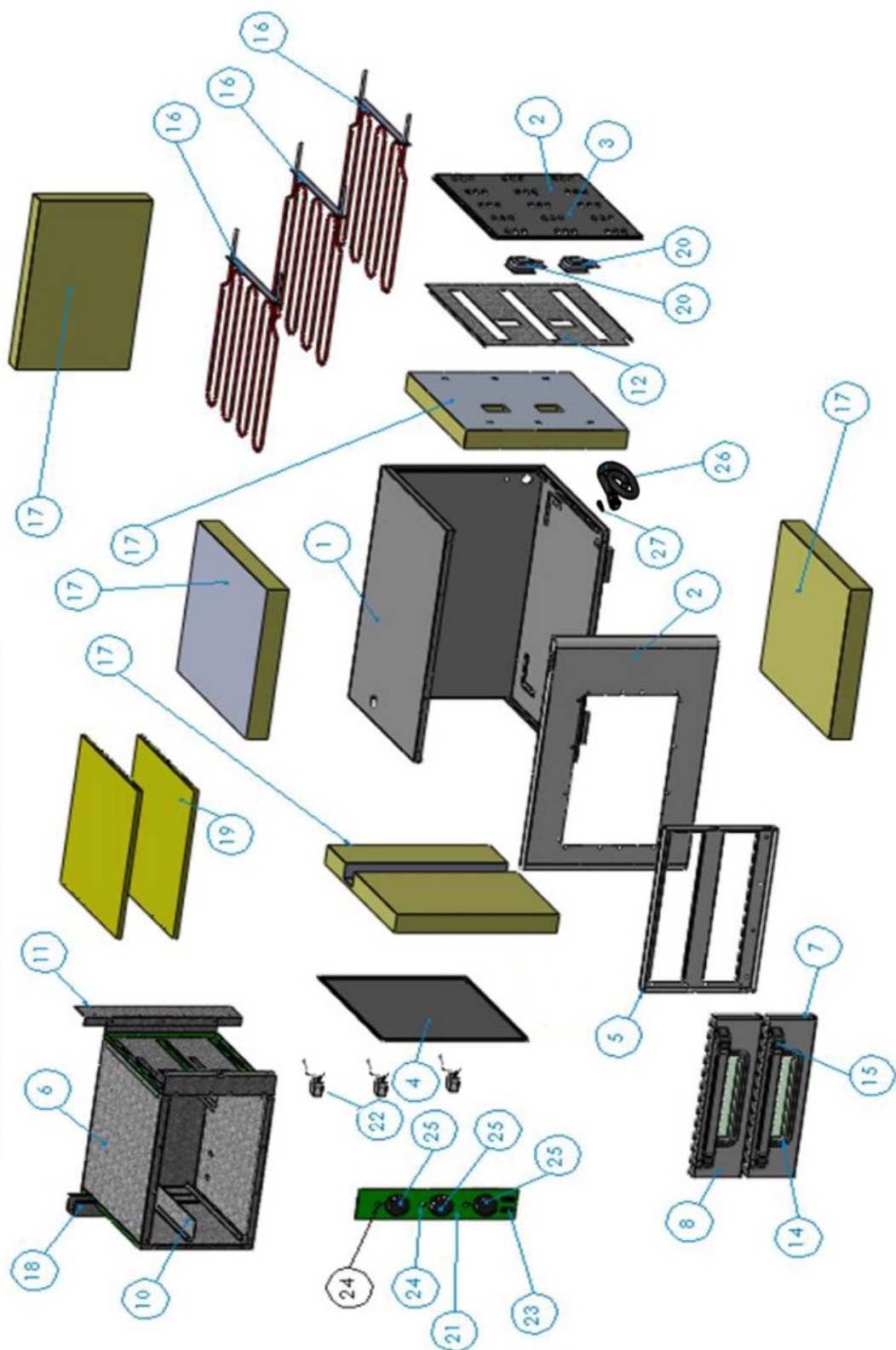
-The maximum time required for the master to be exceeded,

-If the service station of the company does not have a service station, it may request a reduction of the defective goods by the seller, dealer, agency representative, importer or one of the manufacturer-producers.

6-) Defects arising from unauthorized use in the manual of the goods are not covered by the guarantee.

7-) The Ministry of Customs and Trade can consult the General Directorate of Protection of Consumer and Market Surveillance for any problems that may arise in connection with the Warranty Certificate.

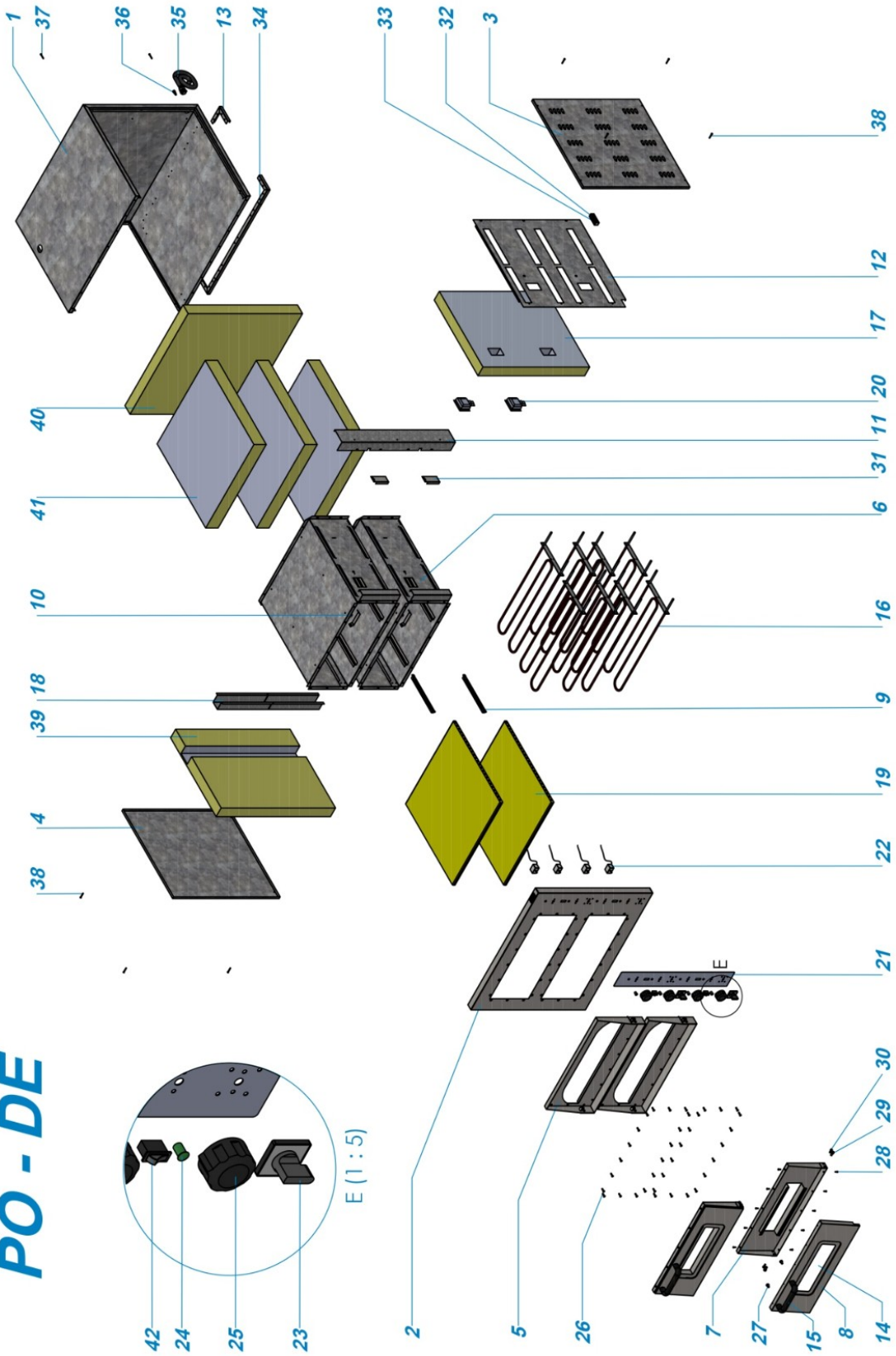
# **PO 5050 DE**



# PO 5050 DE SPARE PART LIST

CODE	PART NAME
1	BODY
2	FRONT FRAME
3	RIGHT SHEET
4	LEFT SHEET
5	DOOR FRAME
6	DECK BODY
7	DOOR (REAR PART)
8	DOOR (FRONT PART)
9	THERMOCOUPLE HOLDER
10	RESISTANCE HOLDER
11	ELECTRIC PANEL ASSEMBLY PROFILE
12	ELECTRIC PANEL
13	FOOT
14	SURVEILLANCE GLASS
15	DOOR HANDLE
16	RESISTANCE
17	ISULATION
18	CHIMNEY
19	COOKING STONE
20	LAMP
21	LEXAN
22	THERMOSTAT
23	ON-OFF SWITCH
24	THERMOSTAT LED
25	THERMOSTAT CONTROL BUTTON
26	SUPPLY CABLE UNION
27	GROUNDING SCREW

# PO - DE





PO 6262/6868/6292/9262/9292

## SPARE PARTS LIST

CODE	PART NAME
1	BODY
2	FRONT FRAME
3	RIGHT SHEET
4	LEFT SHEET
5	DOOR FRAME
6	DECK BODY
7	DOOR (REAR PART)
8	DOOR (FRONT PART)
9	THERMOCOUPLE HOLDER
10	RESISTANCE HOLDER
11	ELECTRIC PANEL ASSEMBLY PROFILE
12	ELECTRIC PANEL
13	FOOT
14	SURVEILLANCE GLASS
15	DOOR HANDLE
16	RESISTANCE
17	ISULATION
18	CHIMNEY
19	COOKING STONE
20	LAMP
21	LEXAN
22	THERMOSTAT
23	ON-OFF SWITCH
24	THERMOSTAT LED
25	THERMOSTAT CONTROL BUTTON
26	DOOR FRAME SCREW
27	DOOR HANDLE SCREW
28	DOOR SCREW
29	DOOR INSTALLATION SCREW
30	DOOR FIXING SCREW
31	DECK BODY FOOT
32	SINGLE TERMINALS
33	DUBLE TERMINALS
34	LONG FOOT
35	ELECTRICITY CONNECTION CABLE AND UNION
36	GROUNDING SCREW
37	BACK SHEET SCREW
38	RIGHT-LEFT SHEET SCREW
39	LEFT ISULATION
40	BACK ISULATION
41	ISULATIONS
42	LAMP SWITCH



## DECLARATION OF CONFORMITY

**COMPANY NAME** : SGS MUTFAK EKİPMANLARI İTH.İHR.TUR.GIDA PAZ. ELEK. SER. HİZ.  
SAN. ve LTD. ŞTİ.

**ADDRESS** : Cumhuriyet Mah Balkan Cad No: 20 Yazıbaşı Torbalı İzmir Türkiye

**PHONE** : 0090 232 2575233 - 2575223 - 2576922 - 2575836

**FAKS** : 0090 232 2575303

**WEB** : <http://www.sgsoven.com>

**PRODUCT** : Pizza Oven

**MODEL** : PO 5050DE- PO 5252DE-PO 6262DE-PO 6868DE- PO 6292DE-  
PO 9262DE-PO 9292DE- PO 5050E - PO 6262E- PO 6868E- PO 6292E- PO 9262E- PO 9292E-  
PO 7070DE -PROFI 10570E- PROFİ 10570DE- PROFİ 10570TE

**TEST STATEMENT NO** : 20140528/001

**HARMONIZED STANDARDS** : EN 60335-2-36, EN 60335-1

**APPLIED DIRECTIVES** : Low Voltage Directive (LVD) 2014/35/EU

We declare as of SGS MUTFAK EKİPMANLARI LTD. ŞTİ. PIZZA OVEN produced by us is in compliance with the above relevant Council of Europe New Approach Directives and Harmonized EN standards that given. We accept all the responsibilities associated with these products.

**PLACE / DATE** : İZMİR / 13.10.2014

**GENERAL MANAGER:**

SEBAHTIN YASHAROV YUZEROV / RUSEN AKSU

SGS MUTFAK EKİPMANLARI İTH. İHR.  
TURİZM GIDA PAZ - ELEKTRONİK  
SERVİS HİZM. SAN. TİC. LTD. ŞTİ.  
Yazıbaşı Mah. Balkan Cad. No: 26 Torbalı İZMİR  
Tel: 0232 257 52 23 257 52 33 Fax: 0232 257 53 03  
TORBALI V.D. 735 028 9108



**SGS MUTFAK EKIPMANLARI LTD. STI.**

Cumhuriyet Mah. Balkan Cad. No:20

Yazıbaşı-Torbalı/İZMİR-TÜRKİYE

Tel: +90 232 257 52 23

Fax: +90 232 257 53 03

e-mail: [info@sgsoven.com](mailto:info@sgsoven.com)

[www.sgsoven.com](http://www.sgsoven.com)