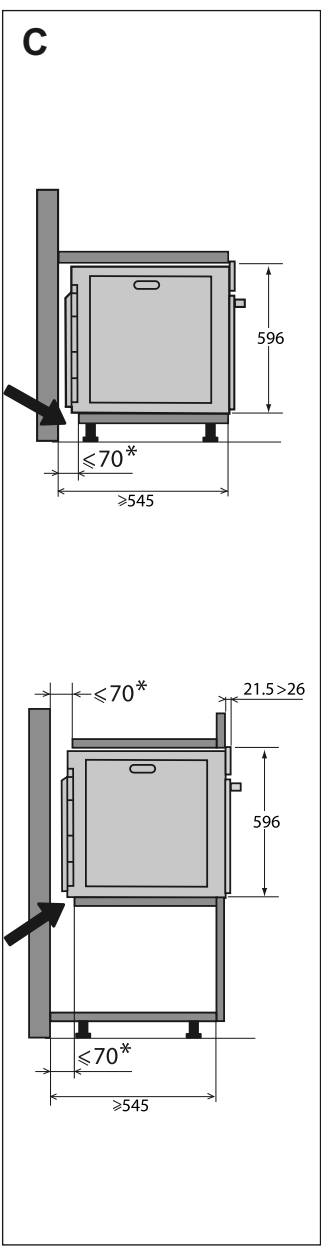
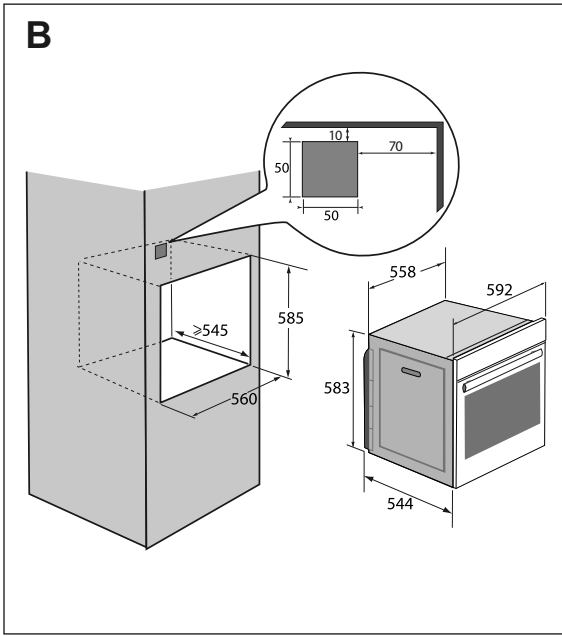
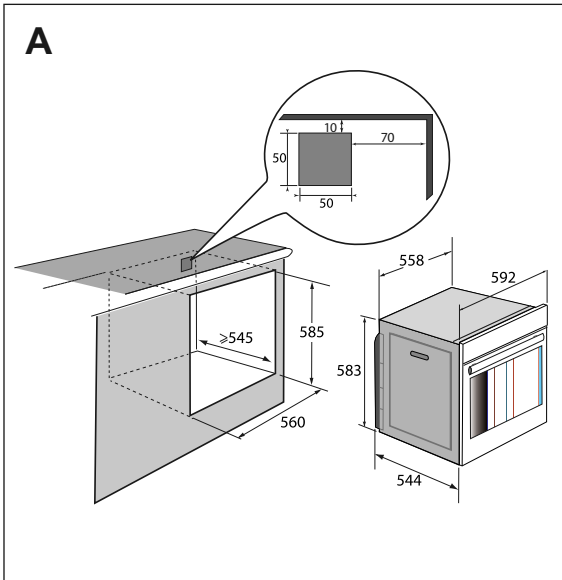


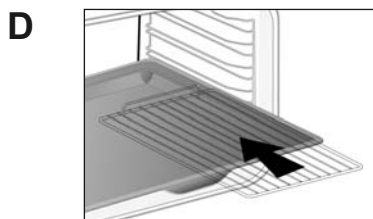
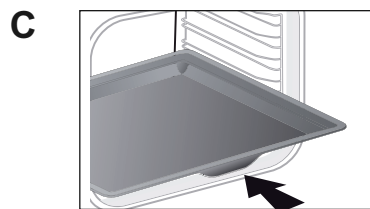
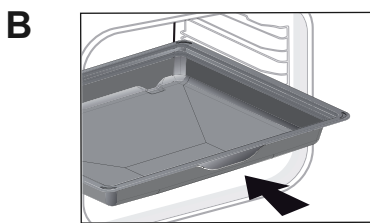
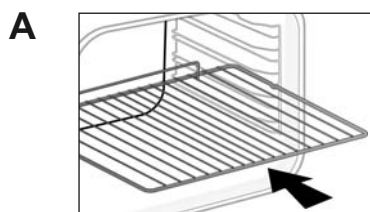
EN INSTALLATION AND SAFETY INSTRUCTIONS

OVEN

De Dietrich 



•2



IMPORTANT SAFETY INSTRUCTIONS

IMPORTANT SAFETY INSTRUCTIONS - READ CAREFULLY AND RETAIN FOR FUTURE USE.

This user guide is available for download on the brand's website.

When you receive the appliance, unpack it or have it unpacked immediately. Check its general appearance. Make a note of any reservations on the delivery slip and keep a copy.



Important:

This appliance may be used by children aged 8 years and older, and by persons with impaired physical sensorial or mental capacities, or without experience or knowledge, if they are supervised or have received prior instructions on how to use the appliance safely and have understood the risks involved. Children must not be allowed to play with the appliance. Cleaning and maintenance operations must not be carried out by children without supervision.

— Children must be supervised to prevent them from playing with the appliance.

WARNING:

— The appliance and its accessible parts become hot during use. Be careful not to touch the heating elements inside the oven. Children under

8 years old must not be allowed near it unless they are supervised at all times.

— This appliance is designed to cook with the door closed.

— Before pyrolytic cleaning of your oven, remove all accessories and any thick deposits.

— During cleaning, the surfaces may become warmer than under normal conditions of use. It is advisable to keep children away from the appliance.

— Do not use a steam cleaner.

— Do not use abrasive cleaning products or hard metal scrapers for cleaning the oven's glass door, as they could scratch the surface and cause the glass to shatter.



WARNING :

Make sure the appliance is disconnected from the power before replacing the lamp in order to avoid the risk of electric shock. Change the lamp only when the appliance has cooled down. To unscrew the view port and the light, use a rubber glove, which will make disassembly easier.

IMPORTANT SAFETY INSTRUCTIONS



The electrical plug must remain accessible after installation.

— It must be possible to disconnect the appliance from the power supply, either using a plug or by fitting a switch on the fixed wiring system in accordance with installation rules.

— If the power cable is damaged, it should be replaced by the manufacturer, its after-sales service department or by a similarly qualified person in order to avoid danger.

— This appliance may be installed either under a worktop or in a cabinet column, as indicated on the installation diagram.

— Centre the oven in the unit so as to ensure a minimum distance of 10 mm between the appliance and the surrounding unit. The material of the unit supporting the appliance must be heat-resistant (or covered with a heat-resistant material). For greater stability, attach the oven to the unit with 2 screws through the holes provided on the side panels.

— In order to avoid overheating, the appliance must not be installed behind a decorative door.

— This appliance is designed to be used for domestic and similar applications such as:

Kitchen areas for the staff of shops, offices and other professional premises.

Farms. Use by clients of hotels, motels and other residential type establishments; guest house type environments.

— The oven must be turned off when cleaning inside the oven.

Do not modify the characteristics of this appliance; doing so could be dangerous.

Do not use your oven as a larder or to store any items after use.

• 1 *INSTALLATION*

CHOICE OF LOCATION AND FITTING

The diagrams show the dimensions of a cabinet that will be able to hold your oven.

This appliance may be installed either under a worktop (**fig. A**) or in a column (**fig. B**).

Caution: if the back of the furniture is open (under a worktop or in a column), the space between the wall and the surface on which the oven rests must be no more than 70 mm* (**fig. C**).

If the furniture is closed at the back, make a 50 x 50 mm opening through which to route the electrical cable.

Install the oven in the furniture. To do this, remove the rubber stops and pre-drill a 2-mm diameter hole in the wall of the furniture to avoid splitting the wood. Attach the oven with the two screws. Re-position the rubber stops.

Advice

To be certain that you have properly installed your appliance, do not hesitate to call on a household appliance specialist.

WIRING IN

Make sure that the electrical equipment you are intending to use is suitable for the electrical supply to which you are connecting it. Check the voltage is correct and that the supply can deliver the current required by the equipment (the power requirements of the equipment will be shown on its rating plate).



Warning:

If the electrical installation in your residence requires any changes in order to hook up your appliance, call upon a professional electrician. If the oven malfunctions in any way, unplug the appliance or remove the fuse corresponding to the sector where the oven is hooked up.

• 2 ACCESSORIES

ACCESSORIES (depending on model)

- Anti-tip safety rack (fig. A)

The rack can be used to support all dishes and moulds containing food for cooking or browning. It can be used for grilling (placed directly on top). Position the anti-tip stop towards the back of the oven.

Multi-purpose tray, drip tray 45 mm (fig. B)

When inserted in the shelf runners under the grill with the handle towards the oven door, it collects juice and fat from grilling, and can be used half-filled with water as a double-boiler.

- 20 mm pastry dish (fig. C)

Insert in the shelf runners with the handle towards the oven door. Ideal for baking cookies, shortbread and cupcakes. The tilted surface makes it easier for you to put your preparations in a dish. Can also be inserted into the shelf runners under the grill to collect juice and fat from grilling.

- «Flavour» grills (fig. D)

These half «flavour» grills are used separately, but only when placed in one of the dishes or drip tray with the anti-tip handle towards the back of the oven.

By using just one grill, it is easy to moisten your food with the cooking juices collected in the dish.

• 3 ENVIRONMENT

CARE FOR THE ENVIRONMENT

The packaging of this appliance can be recycled. Help to recycle them and protect the environment by placing them in the municipal containers provided for this purpose.



Your appliance also contains many recyclable materials. It therefore is marked with this symbol to indicate that appliances to be disposed of should not be mixed with other waste.

This way, the appliance recycling organised by your manufacturer will be

done with maximum efficiency, in compliance with European Directive 2002/96/EC on Waste Electrical and Electronic Equipment.

Contact your local authority or retailer for information on used appliance collection points close to your home.

Thank you for co-operation in protecting the environment.