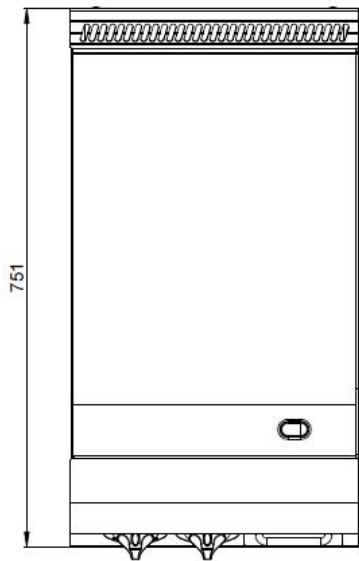
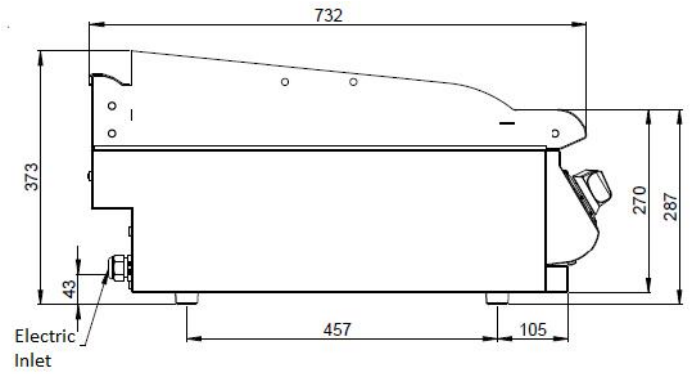
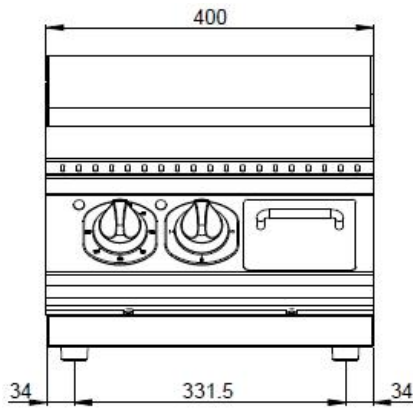


7IE10S ½ MODULE ELECTRIC STAND TOP GRILL



GENERAL FEATURES

- Fry Top
- Perfect 700 line, 1/2 module, countertop,
- Smooth surface,
- Body manufactured of 18/8 Cr-Ni s/s stain finished sheet and inner parts of alumunized steel,
- Oil collecting channel and discharge in front of the frying surface,
- Collecting of oil on the surface in a easy to clean s/s drawer,
- Upstands at 3 ends in order to prevent fat from splashing around during frying process,
- All of the electric control borads and devices in conformity with the international standards,
- Temperature adjustment between 50-300°C by multi-step thermostat and with safety thermostat of 350°C,
- Main switch for the supply or stop of the power,
- Plastic feet.

TECHNICAL SPECIFICATION

Total Power	4,5	kW
Electric Inlet	380-400	V
Cooking area	394x489.5	mm
Cablo cut	5x2,5	mm ²
Palett+Box Mesaures	422x772x577	WxDxH