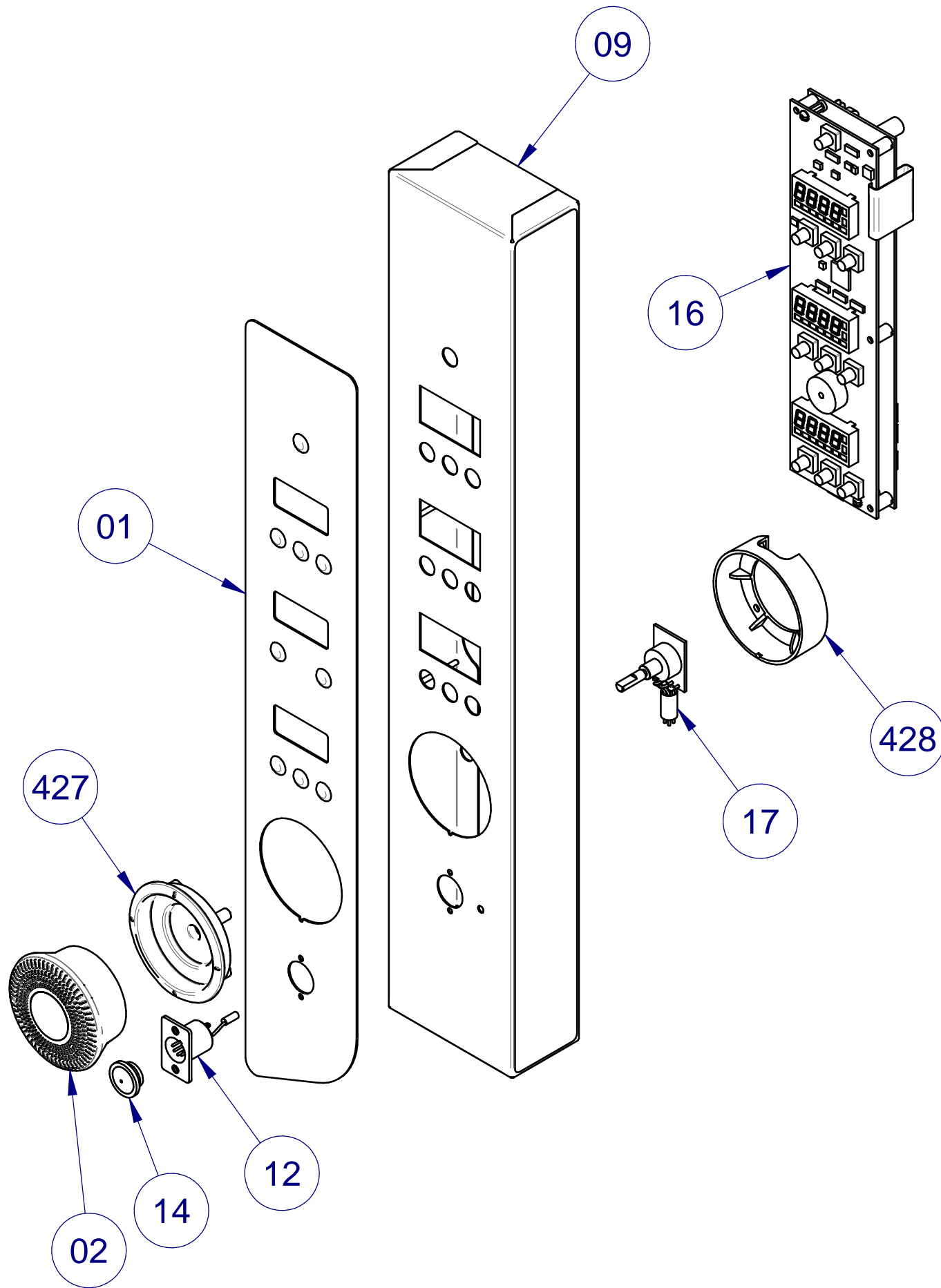
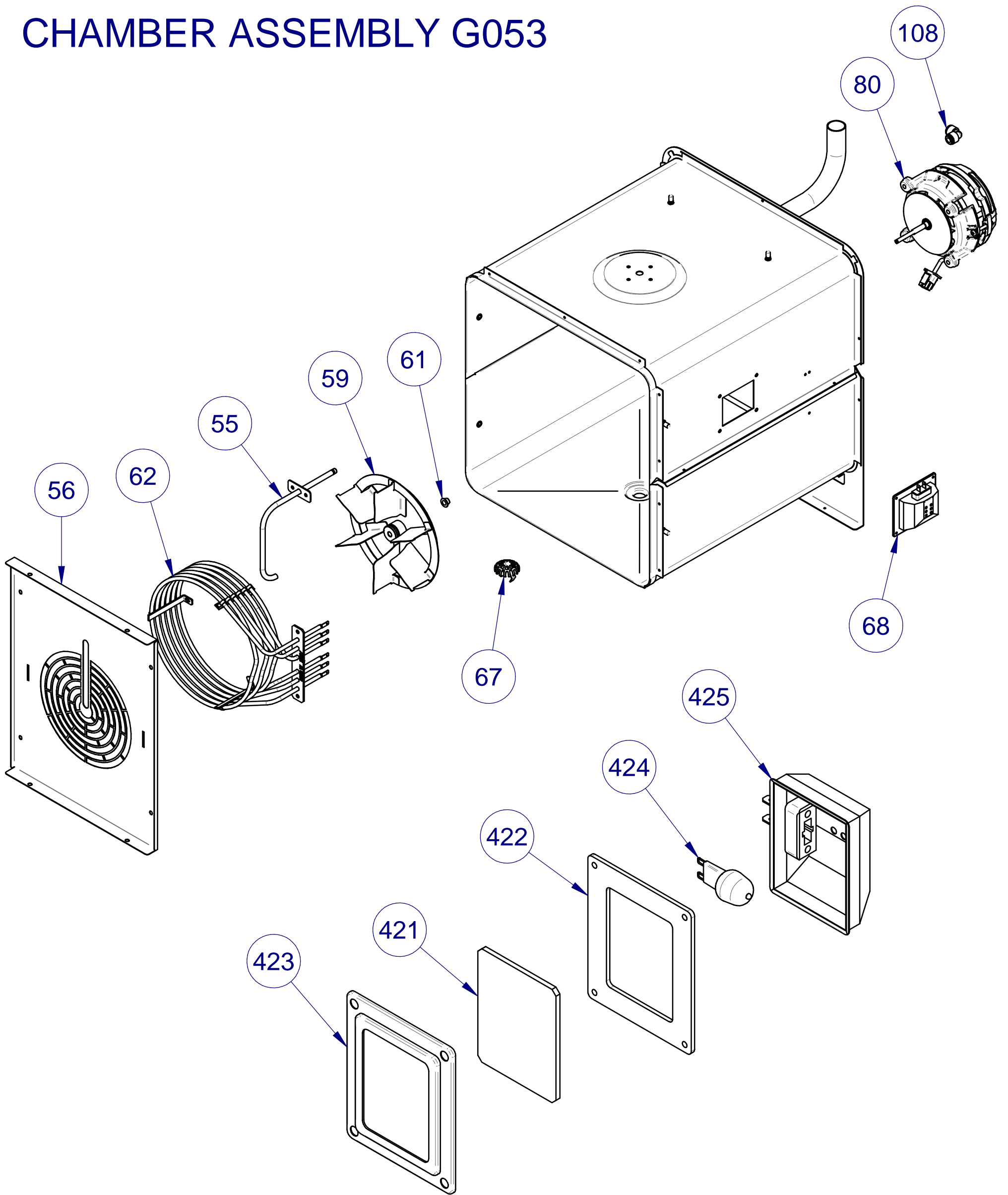



DASHBOARD ASSEMBLY G053 DIGITAL



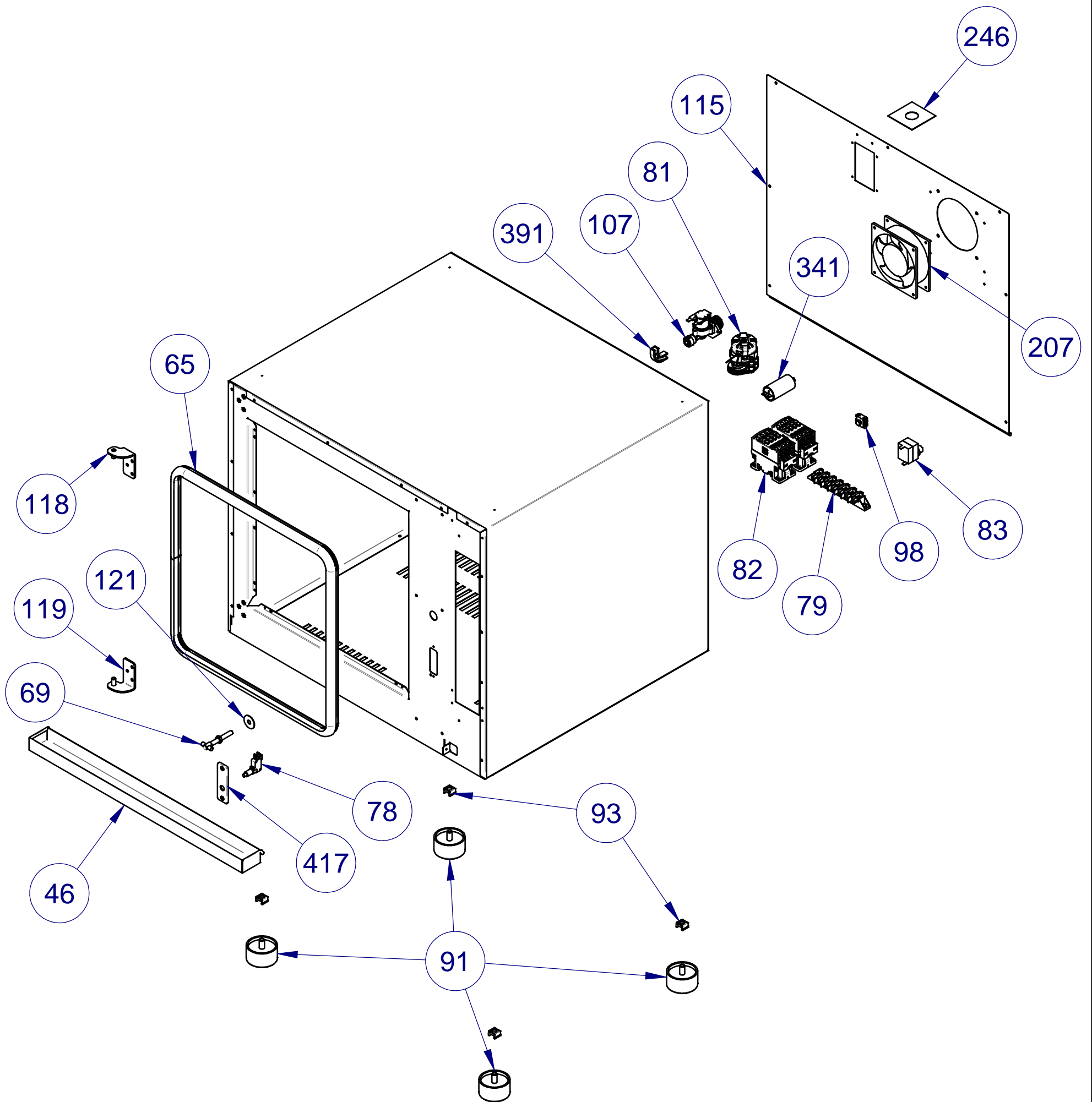
4				Tolleranze - Tolerances :	Data - Date :
3				EN 22768	06/08/2020
2				001-006 mm ± 0.1	Scala - Scale :
1				006-030 mm ± 0.2	1:3
				030-120 mm ± 0.3	A3
				120-400 mm ± 0.5	
				400-1000 mm ± 0.8	
				1000-2000 mm ± 1.2	
N° Rev	Data - Date	Descrizione modifiche - Modification description		Disegnato - Drawn by	
		Creato da - Drawing by:	Materiale - Material :	Trattamento - Treatment :	Codice - Code :
		PREVEDELLO M.	ASSEMBLY		..
		Descrizione - Description :			Modello - Model :
		G053 EXPLODED VIEW			
		File :			Peso - Weight :
				0.00 kg (Kg)
		Copyright © 2020 by Venix s.r.l. - Italy - All intellectual property rights reserved - Confidential. Any use, copying, delivery or disclosure of this drawing is strictly forbidden if not approved by advance written notice of Venix S.r.l.			Approvato - Approved :
				

CHAMBER ASSEMBLY G053



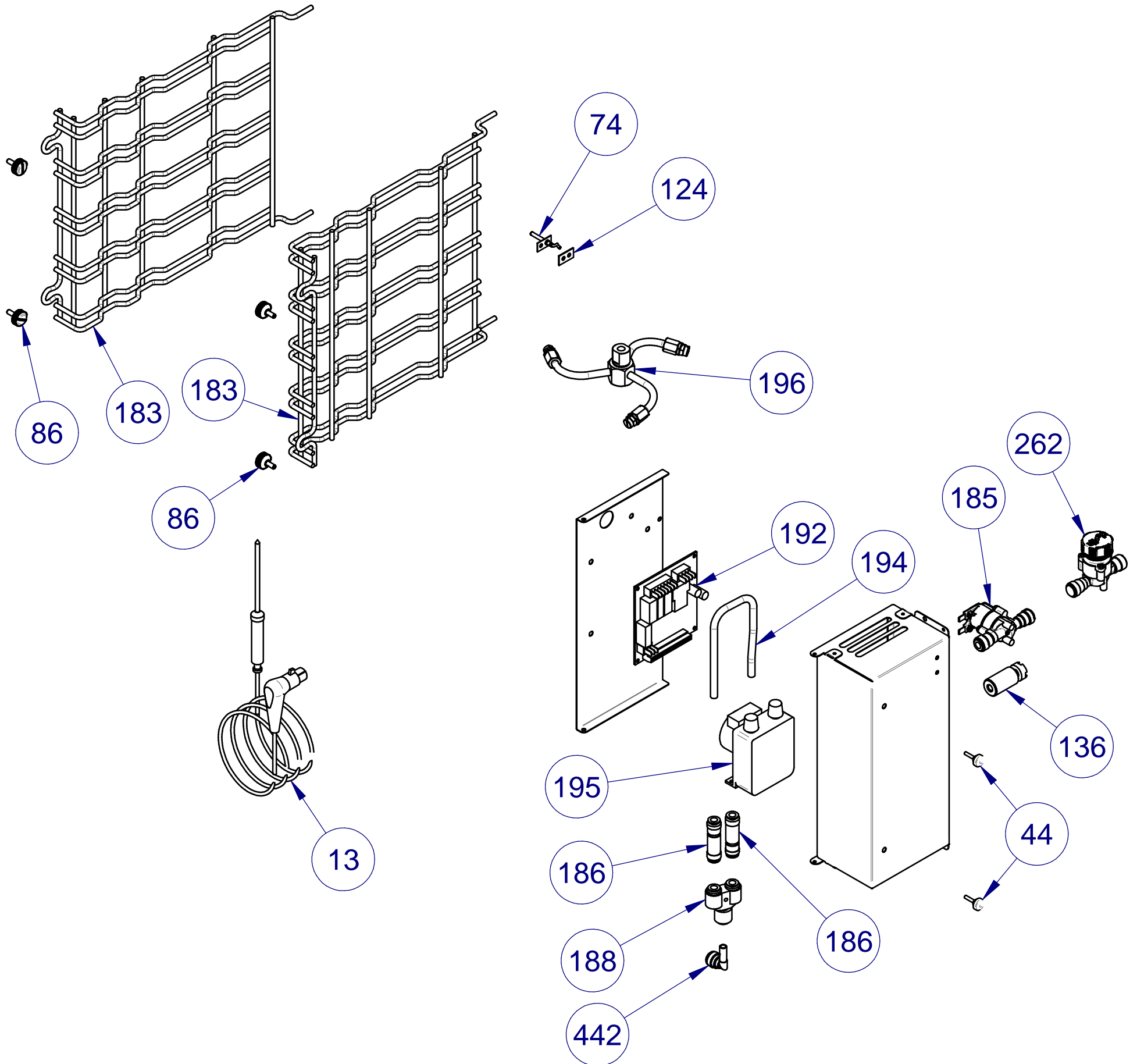
4				Tolleranze - Tolerances : EN 22768	Data - Date : 06/08/2020
3				001-006 mm ± 0.1 006-030 mm ± 0.2 030-120 mm ± 0.3 120-400 mm ± 0.5 400-1000 mm ± 0.8 1000-2000 mm ± 1.2	Scala - Scale : 1:6
2					 A3 mm
1					
N° Rev	Data - Date	Descrizione modifiche - Modification description		Disegnato - Drawn by	
Creato da - Drawing by: PREVEDELLO M.		Materiale - Material : ASSEMBLY		Trattamento - Treatment : ..	
Descrizione - Description : G053 EXPLODED VIEW				Modello - Model :	
File :				Peso - Weight : 0.00 kg (Kg)	
Copyright © 2020 by Venix s.r.l. - Italy - All intellectual property rights reserved - Confidential. Any use, copying, delivery or disclosure of this drawing is strictly forbidden if not approved by advance written notice of Venix S.r.l.				Approvato - Approved :	

OVEN BODY G053



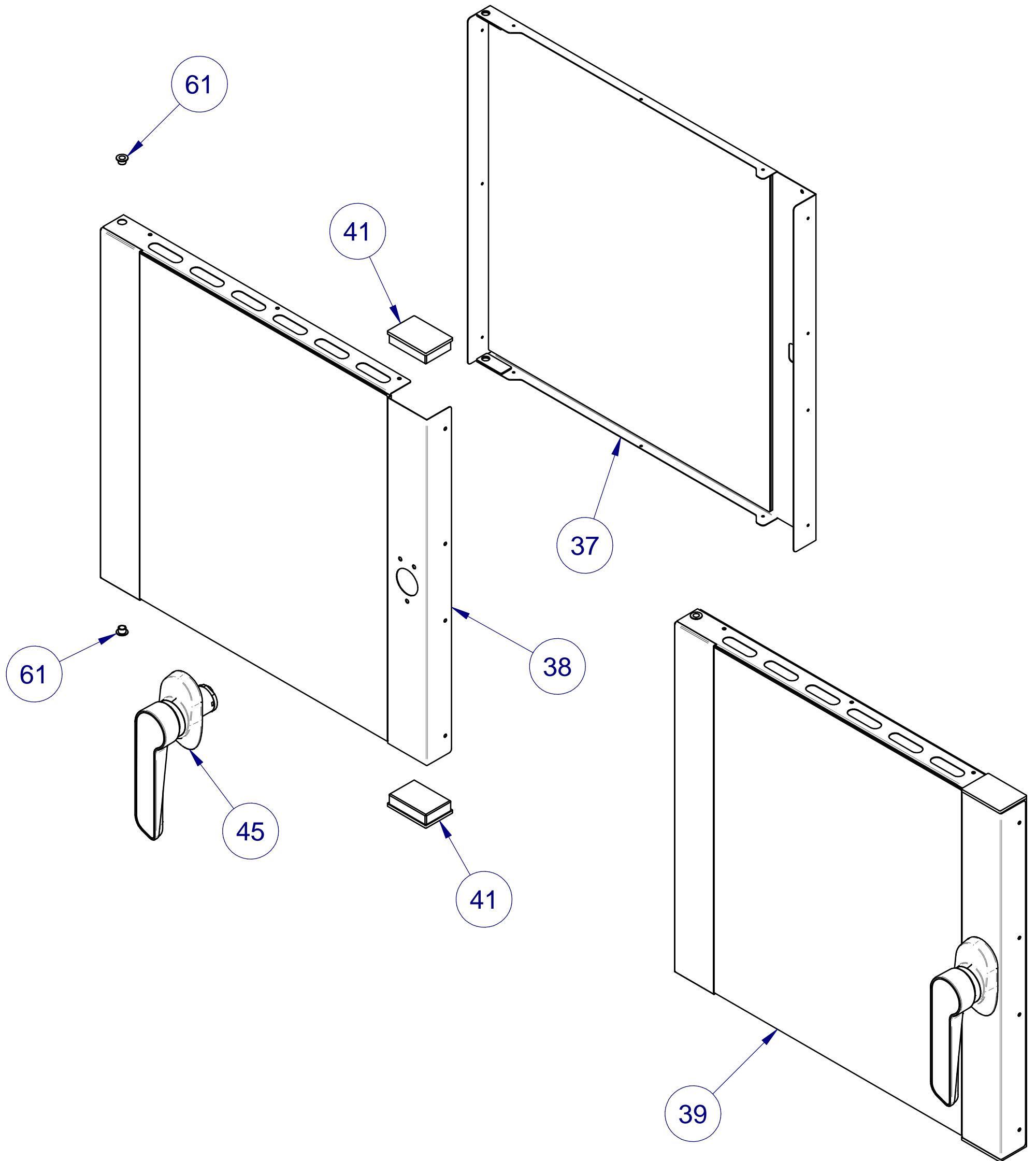
4				Tolleranze - Tolerances :	Data - Date :
3				EN 22768	06/08/2020
2				001=006 mm ± 0.1 006=030 mm ± 0.2 030=120 mm ± 0.3 120=400 mm ± 0.5 400=1000 mm ± 0.8 1000=2000 mm ± 1.2	Scala - Scale :
1					1:8
N° Rev	Data - Date	Descrizione modifiche - Modification description	Disegnato - Drawn by	mm A3	
Creato da - Drawing by: PREVEDELLO M.		Materiale - Material : ASSEMBLY	Trattamento - Treatment :	Codice - Code : ..	
Descrizione - Description : G053 EXPLODED VIEW				Modello - Model :	
File :				Peso - Weight : 0.00 kg (Kg)	
Copyright © 2020 by Venix s.r.l. - Italy - All intellectual property rights reserved - Confidential. Any use, copying, delivery or disclosure of this drawing is strictly forbidden if not approved by advance written notice of Venix S.r.l.				Approvato - Approved :	

ACCESSORIES G053



4				Tolleranze - Tolerances :	Data - Date :
3				EN 22768	06/08/2020
2				001-006 mm ± 0.1 006-030 mm ± 0.2 030-120 mm ± 0.3 120-400 mm ± 0.5 400-1000 mm ± 0.8 1000-2000 mm ± 1.2	Scala - Scale :
1					1:5
N° Rev	Data - Date	Descrizione modifiche - Modification description	Disegnato - Drawn by	A3 mm	
Creato da - Drawing by: PREVEDELLO M.		Materiale - Material : ASSEMBLY	Trattamento - Treatment :	Codice - Code : ..	
Descrizione - Description : G053 EXPLODED VIEW				Modello - Model :	
File :				Peso - Weight : 0.00 kg (Kg)	
Copyright © 2020 by Venix s.r.l. - Italy - All intellectual property rights reserved - Confidential. Any use, copying, delivery or disclosure of this drawing is strictly forbidden if not approved by advance written notice of Venix S.r.l.				Approvato - Approved :	

DOOR G053



4					Tolleranze - Tolerances :	Data - Date :
3					EN 22768	06/08/2020
2					001-006 mm ± 0.1	Scala - Scale :
1					006-030 mm ± 0.2	1:5
					030-120 mm ± 0.3	
					120-400 mm ± 0.5	
					400-1000 mm ± 0.8	
					1000-2000 mm ± 1.2	
N° Rev	Data - Date	Descrizione modifiche - Modification description		Disegnato - Drawn by	mm A3	
Creato da - Drawing by: PREVEDELLO M.		Materiale - Material : ASSEMBLY		Trattamento - Treatment :	Codice - Code : ..	
Descrizione - Description : G053 EXPLODED VIEW				Modello - Model :		
File :				Peso - Weight : 0.00 kg (Kg)		
Copyright © 2020 by Venix s.r.l. - Italy - All intellectual property rights reserved - Confidential. Any use, copying, delivery or disclosure of this drawing is strictly forbidden if not approved by advance written notice of Venix S.r.l.				Approvato - Approved :		