



idea



Professional cleaning becomes compact and enters the everyday life

Igea has been designed to replace manual mopping systems for cleaning small or highly cluttered areas with all the advantages of mechanized cleaning systems:

- constant performances and no effort: no more back pain;
- unrivalled hygiene: it uses only clean water;
- save time: you will never have to wait for the floor to dry;
- lithium ion batteries: it is always ready when you need it;
- sanitize with freedom: it scrubs and dries in any direction

Ergonomic design for a comfortable use

Lightweight
For easy transportation

Cleans in all directions

- to scrub and dry in all directions
- perfect drying to avoid slip and fall accidents

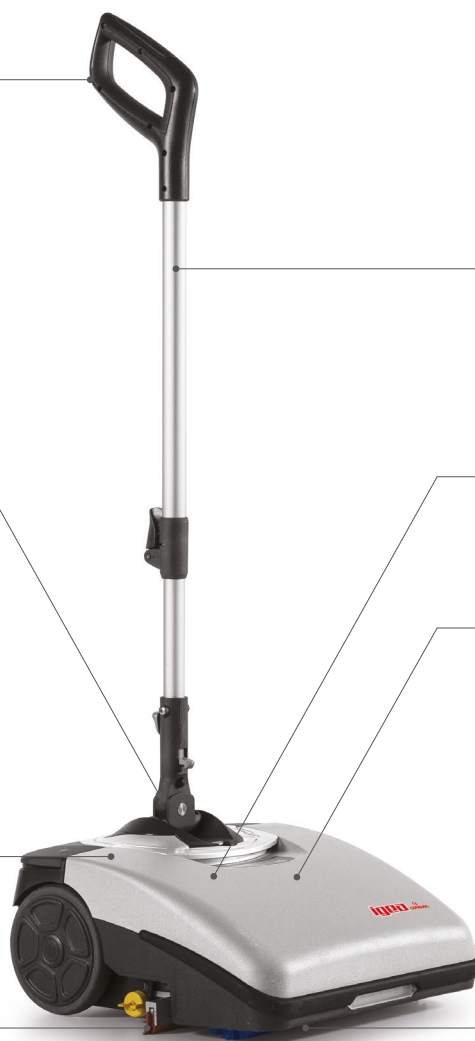
Effective
Sanitized floors

Compact design
To reach under tables

- Always ready to use
- Fast charge
- Maximum power
- Low running and maintenance costs
- Handy battery charger

Versatile
To scrub and dry all kinds
of hard floors

Cleans along walls



| TECHNICAL DESCRIPTION | | Igea |
|-------------------------------|---------------|--------------|
| Battery power | V/Ah | 25,6/5,7 |
| Noise level | dB (A) | <70 |
| Brush motor | V/W | 24/50 |
| Suction motor | V/W | 24/100 |
| Machine weight (with battery) | Kg/lbs | 10 |
| Working capacity | sq.m/h/sqft/h | 300/3229 |
| Machine dimensions (Lxhxw) | mm/inch | 395x1295x445 |

| TECHNICAL DESCRIPTION | | Igea |
|-----------------------|--------------|--------------|
| Working width | mm/inch | 340/13,38 |
| Squeegee width | mm/inch | 395/15,55 |
| Solution tank | l/gal | 1,2/0,31 |
| Recovery tank | l/gal | 1/0,26 |
| Cylindrical Brush Ø | (n.) mm/inch | (1) 110/4,33 |
| Battery | | Li-ion |



COMAC S.p.A. Via Maestri del Lavoro, 13 - 37059 Santa Maria di Zevio - Verona - ITALY
Tel. 045 8774222 - www.comac.it - com@comac.it

Comac S.p.A. org. cert. ISO 9001:2015, ISO 14001:2015, ISO 45001:2018, SA 8000:2014

