



DRYING

SINGLE POCKET DRYERS ECONOMIC LINE SC-11/14 M

CHARACTERISTICS

M PROGRAMMER

- New M programmer: push buttons to control temperature and time.

OUTSTANDING FEATURES

- Reversing drum action as standard.
- Frequency inverter as standard.
- Galvanized drum as standard.

EFFICIENCY

- Big fluff filter.

VERSATILITY

- Make to order - customisation.
- OPL > Multivending - Standard OPL model easily trasformable to coin laundry uses.

ERGONOMICS

- Biggest door diameters.
- Opening sense of door adjustable on site.

MAINTENANCE

- Hinged panel: easy and ergonomic access
- Technical menu: statistics for technicians and maintenance with external console (with console option).
- Easy to access to components.

OTHERS

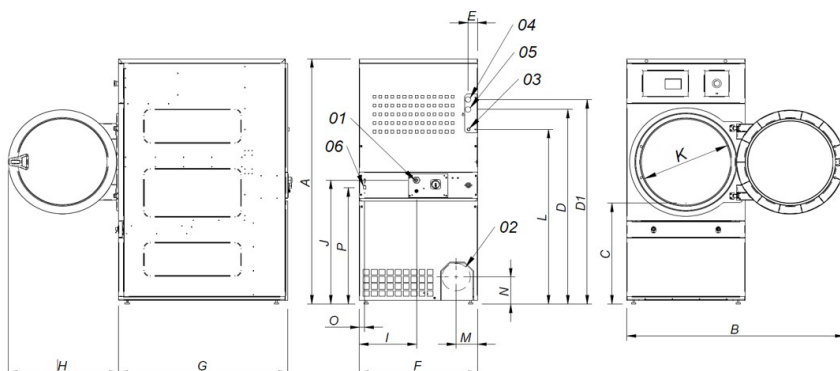
- White painted panels.
- COOL DOWN - anti-wrinkle at the end of the cycle.
- Heating options: electric, gas and steam.
- CE approved.

OPTIONS

- M programmer display.
- Opposite door opening.
- Back panel external air + filter.
- Reduced power (12kw instead of 18kw) for electric heated SC 14 model.
- Ship voltage for electric models: 440V III 50/60 Hz No neutral.
- Other voltages available.



	UNIT.	SC-11 M	SC-14 M		
CAPACITY					
Capacity 1/18	Kg	11,7	15		
Capacity 1/20	Kg	10,5	13,5		
Hourly Output (electr // gas)	Kg/h	20,3 // 28,6	26,9 // 30,3		
Evaporation capacity (electr // gas)	l/h	9,3 // 14,5	13,5 // 15,4		
DRUM					
Ø Drum	mm	750	750		
Ø Door	mm	574	574		
Door center height	mm	976	976		
Load hole bottom height	mm	689	689		
Drum length	mm	475	610		
Drum volume	l	210	269		
POWER					
Drum motor power	Kw	0,37	0,37		
Fan motor power	Kw	0,25	0,25		
Electric heating power	Kw	12	18		
Total electric power (elec.model)	Kw	12,67	18,67		
Gas heating power	Kw	20,51	20,51		
Instant propane gas consumption (G31)	Kg/h	1,76	1,76		
Instant natural gas consumption (G20)	m3/h	2,17	2,17		
Total electric power (gas model)	Kw	0,67	0,67		
Steam heating power	Kw	30	30		
Total electric power (steam model)	Kw	0,67	0,67		
CONNECTIONS		ELECTRICAL	GAS	ELECTRICAL	GAS
Tension 230V - I + N + T	N° x mm2 / A	3 x 25 / 63A	3 x 1,5 / 20A	-	3 x 1,5 / 20A
Tension 230V - III + T	N° x mm2 / A	4 x 10 / 40A	3 x 1,5 / 20A	4x16 / 63A	3 x 1,5 / 20A
Tension 400V - III + N + T	N° x mm2 / A	5 x 4 / 25A	3 x 1,5 / 20A	5x10 / 32A	3 x 1,5 / 20A
Ø Gas inlet	BSP	1/2"		1/2"	
DIMENSIONS / PACKING DIMENSIONS					
Net width / Gross width	mm	785 / 865		785 / 865	
Net Depth / Gross Depth	mm	855 / 940		989 / 1074	
Net Height / Gross Height	mm	1.694 / 1.840		1694 / 1840	
Height without heating battery	mm	-		-	
Net weight / Gross weight	Kg	172 / 180		180 / 190	
OTHERS					
Max airflow	m3/h	850		850	
Ø Fume exhaust	mm	200		200	
Sound level	dB	64		64	



- 01 POWER SUPPLY
- 02 FUMES OUTPUT Ø200
- 03 GAS INLET 1/2"
- 04 STEAM INLET 3/4"
- 05 CONDENSATE OUTLET 3/4"
- 06 ETHERNET CONNECTION
(ONLY TOUCH CONTROL)

	A	B	C	D	D1	E	E1	F	G	H	I	J	K	L	M	N	O	P
SC-11	1694*	1447	689	1354	1422	68	68	785	855	735	380	870	575	1226	133	180	35	805
SC-14	1694*	1447	689	1354	1422	68	68	785	989	735	380	870	575	1226	133	180	35	805

*Measurement with legs mounted (30mm)



DRYING

SINGLE POCKET DRYERS ECONOMIC LINE SC-18/22 M

CHARACTERISTICS

M PROGRAMMER

- New M programmer: push buttons to control temperature and time.

OUTSTANDING FEATURES

- Reversing drum action as standard.
- Frequency inverter as standard.
- Galvanized drum as standard.

EFFICIENCY

- Big fluff filter.

VERSATILITY

- Make to order - customisation.
- OPL > Multivending - Standard OPL model easily trasformable to coin laundry uses.

ERGONOMICS

- Biggest door diameters.
- Opening sense of door adjustable on site.

MAINTENANCE

- Hinged panel: easy and ergonomic access.
- Technical menu: statistics for technicians and maintenance with external console (with console option).
- Easy to access to components.

OTHERS

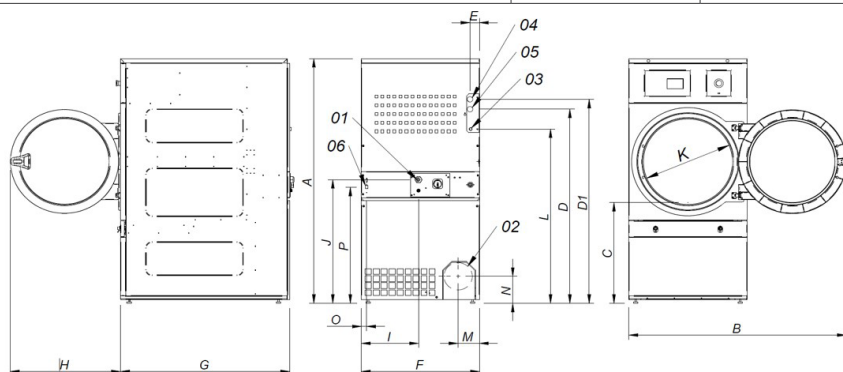
- White painted panels.
- COOL DOWN - anti-wrinkle at the end of the cycle.
- Heating options: electric, gas and steam.
- CE approved.

OPTIONS

- M programmer display.
- Opposite door opening.
- Back panel external air + filter.
- Reduced power (12kw instead of 18kw) for electric heated SC 18 model.
- Ship voltage for electric models: 440V III 50/60 Hz No neutral.
- Other voltages available.



	UNIT.	SC-18 M	SC-22 M		
CAPACITY					
Capacity 1/18	Kg	18,3	24,3		
Capacity 1/20	Kg	16,5	21,9		
Hourly Output (electr // gas)	Kg/h	28,3 // 31,9	34 // 40		
Evaporation capacity (electr // gas)	l/h	14,10 // 16,30	17 // 20		
DRUM					
Ø Drum	mm	750	835		
Ø Door	mm	574	574		
Door center height	mm	976	1.030		
Load hole bottom height	mm	689	743		
Drum length	mm	746	800		
Drum volume	l	330	438		
POWER					
Drum motor power	Kw	0,37	0,37		
Fan motor power	Kw	0,25	0,55		
Electric heating power	Kw	18	24		
Total electric power (elec.model)	Kw	18,67	24,97		
Gas heating power	Kw	20,51	31		
Instant propane gas consumption (G31)	Kg/h	1,76	2,66		
Instant natural gas consumption (G20)	m3/h	2,17	3,28		
Total electric power (gas model)	Kw	0,67	0,97		
Steam heating power	Kw	30	49,2		
Total electric power (steam model)	Kw	0,67	0,97		
CONNECTIONS		ELECTRICAL	GAS	ELECTRICAL	GAS
Tension 230V - I + N + T	N° x mm2 / A	-	3 x 1,5 / 20A	-	3 x 1,5 / 20A
Tension 230V - III + T	N° x mm2 / A	4 x 16 / 63A	3 x 1,5 / 20A	4 x 25 / 80A	3 x 1,5 / 20A
Tension 400V - III + N + T	N° x mm2 / A	5 x 10 / 32A	3 x 1,5 / 20A	5 x 10 / 40A	3 x 1,5 / 20A
Ø Gas inlet	BSP	1/2"		1/2"	
DIMENSIONS / PACKING DIMENSIONS					
Net width / Gross width	mm	785 / 865		890 / 970	
Net Depth / Gross Depth	mm	1.125 / 1.210		1.255 / 1.345	
Net Height / Gross Height	mm	1.694 / 1.840		1.812 / 1.940	
Height without heating battery	mm	-		-	
Net weight / Gross weight	Kg	187 / 200		210 / 230	
OTHERS					
Max airflow	m3/h	850		1.200	
Ø Fume exhaust	mm	200		200	
Sound level	dB	64		65	



- 01 POWER SUPPLY
- 02 FUMES OUTPUT Ø200
- 03 GAS INLET 1/2"
- 04 STEAM INLET 3/4"
- 04 STEAM INLET 1" (SR-22)
- 05 CONDENSATE OUTLET 3/4"
- 05 CONDENSATE OUTLET 1" (SR-22)
- 06 ETHERNET CONNECTION
(ONLY TOUCH CONTROL)

	A	B	C	D	D1	E	E1	F	G	H	I	J	K	L	M	N	O	P
SC-18	1694*	1447	689	1354	1422	68	68	785	1125	735	380	870	575	1226	133	180	35	805
SC-22	1812*	1552	743	1430	1532	112	55	890	1255	735	107	920	575	1344	238	180	37	860

*Measurement with legs mounted (30mm)



DRYING

SINGLE POCKET DRYERS ECONOMIC LINE SC-28/35 M

CHARACTERISTICS

M PROGRAMMER

- New M programmer: push buttons to control temperature and time.

OUTSTANDING FEATURES

- Reversing drum action as standard.
- Frequency inverter as standard.
- Galvanized drum as standard.

EFFICIENCY

- Big fluff filter.

VERSATILITY

- Make to order - customisation.
- OPL > Multivending - Standard OPL model easily trasformable to coin laundry uses.

ERGONOMICS

- Biggest door diameters.
- Opening sense of door adjustable on site.

MAINTENANCE

- Hinged panel: easy and ergonomic access.
- Technical menu: statistics for technicians and maintenance with external console (with console option).
- Easy to access to components.

OTHERS

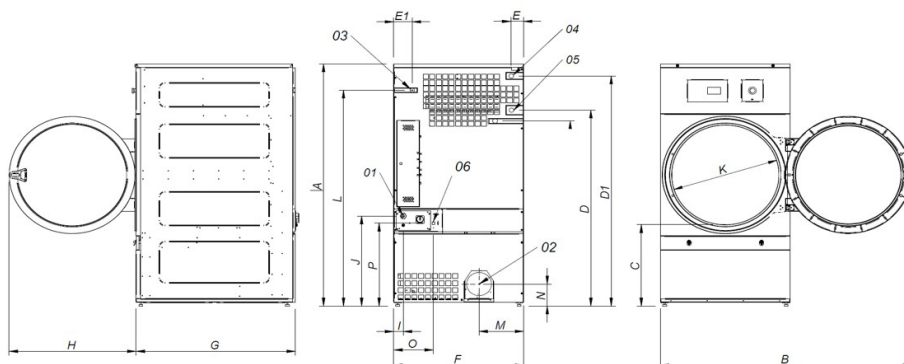
- White painted panels.
- COOL DOWN - anti-wrinkle at the end of the cycle.
- Heating options: electric, gas and steam.
- CE approved.

OPTIONS

- M programmer display.
- Opposite door opening.
- Back panel external air + filter.
- Ship voltage for electric models: 440V III 50/60 Hz No neutral.
- Other voltages available.



	UNIT.	SC-28 M	SC-35 M		
CAPACITY					
Capacity 1/18	Kg	30,5	36,6		
Capacity 1/20	Kg	27,5	33		
Hourly Output (electr // gas)	Kg/h	48,4 // 59,3	60 // 63,9		
Evaporation capacity (electr // gas)	l/h	26,1 // 30,9	31,1 // 32,1		
DRUM					
Ø Drum	mm	947	947		
Ø Door	mm	802	802		
Door center height	mm	1040	1040		
Load hole bottom height	mm	640	640		
Drum length	mm	780	936		
Drum volume	l	549	659		
POWER					
Drum motor power	Kw	0,55	0,55		
Fan motor power	Kw	0,55	0,55		
Electric heating power	Kw	30	36		
Total electric power (elec.model)	Kw	31,15	37,15		
Gas heating power	Kw	41	41		
Instant propane gas consumption (G31)	kg/h	3,51	3,51		
Instant natural gas consumption (G20)	m3/h	4,34	4,34		
Total electric power (gas model)	Kw	1,15	1,15		
Steam heating power	Kw	50,1	50,1		
Total electric power (steam model)	Kw	1,15	1,15		
CONNECTIONS		ELECTRICAL	GAS	ELECTRICAL	GAS
Tension 230V - I + N + T	Nº x mm2 / A	-	3 x 1,5 / 20A	-	3 x 1,5 / 20A
Tension 230V - III + T	Nº x mm2 / A	4 x 35 / 100A	3 x 1,5 / 20A	4 x 50 / 125A	3 x 1,5 / 20A
Tension 400V - III + N + T	Nº x mm2 / A	5 x 16 / 63A	3 x 1,5 / 20A	5 x 16 / 63A	3 x 1,5 / 20A
Ø Gas inlet	BSP	1/2"		1/2"	
DIMENSIONS / PACKING DIMENSIONS					
Net width / Gross width	mm	985 / 1065		985 / 1065	
Net Depth / Gross Depth	mm	1054 / 1154		1210 / 1310	
Net Height / Gross Height	mm	1975 / 2080		1975 / 2080	
Net weight / Gross weight	Kg	230 / 260		260 / 285	
OTHERS					
Max airflow	m3/h	1200		1200	
Ø Fume exhaust	mm	200		200	
Sound level	dB	65		65	



	A	B	C	D	D1	E	E1	F	G	H	I	J	K	L	M	N	O	P
SC-28	1975*	1910	660	1590	1875	102	130	985	1054	970	70	730	802	1760	337	178	301	676
SC-35	1975*	1910	660	1590	1875	102	130	985	1210	970	70	730	802	1760	337	178	301	676

*Measurement with legs mounted (30mm)