

BXGS1600E

www.blackanddecker.eu

EN

FR

DE

IT

ES

PT

NL

PL

EL

RU

RO

BG

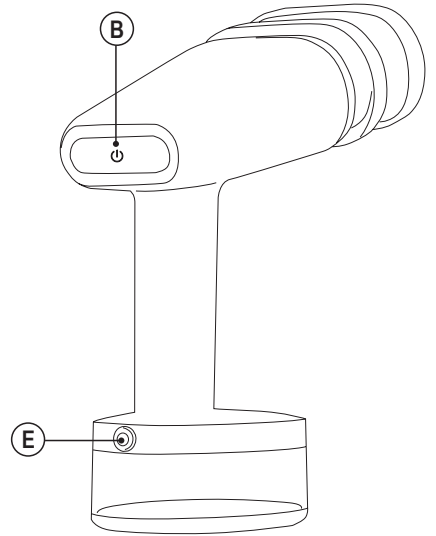
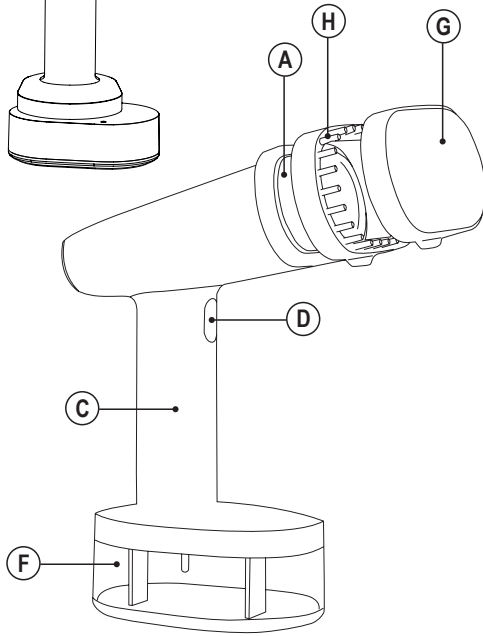
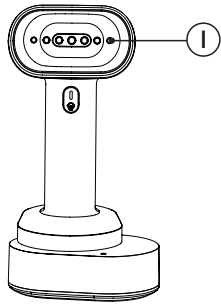
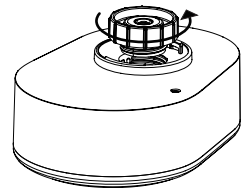
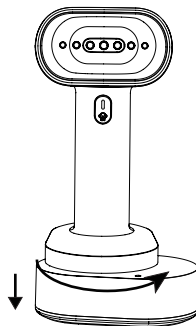
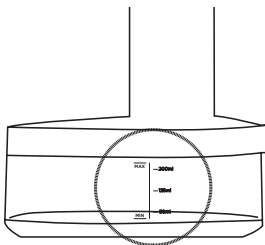


Fig.1

Fig.2

Fig.3



Garment steamer BXGS1600E

Dear customer,

Many thanks for choosing to purchase a BLACK+DECKER brand product.

Thanks to its technology, design and operation and the fact that it exceeds the strictest quality standards, a fully satisfactory use and long product life can be assured.

- ◆ Read these instructions carefully before switching on the appliance and keep them for future reference. Failure to follow and observe these instructions could lead to an accident.

SAFETY ADVICE AND WARNINGS

- ◆ This appliance can be used by children aged from 8 years and above and persons with reduced physical, sensory or mental capabilities or lack of experience and knowledge if they have been given supervision or instruction concerning use of the appliance in a safe way and understand the hazards involved.
- ◆ Cleaning and user maintenance shall not be made by children unless they are supervised.
- ◆ This appliance is not a toy. Children should be supervised to ensure that they do not play with the appliance.
- ◆ If the connection to the mains has been damaged, it must be replaced, take the appliance to an authorised technical support service. Do not attempt to disassemble or repair the appliance by yourself in order to avoid a hazard.
- ◆ Unplug the appliance from the mains before refilling the water tank.
- ◆ Disconnect the appliance from the mains when not in use and before undertaking any cleaning task.
- ◆ Take care when using the appliance due to the emission of steam.
- ◆ This appliance is for household use only, not professional, industrial use.
- ◆ Do not leave the appliance unattended while it is connected to the mains supply.
- ◆ Do not use the appliance if it has fallen on the floor, if there are visible signs of damage or if it has a leak.
- ◆ Keep the appliance and its cord out of reach of children less than 8 years of age when it is energized or cooling down.
- ◆ Ensure that the voltage indicated on the rating label matches the mains voltage before plugging in the appliance.
- ◆ Connect the appliance to a base with an earth socket withstanding a minimum of 16 amperes.
- ◆ The appliance's plug must fit into the mains socket properly. Do not alter the plug. Do not use plug adaptors.
- ◆ Do not force the power cord. Never use the power cord to lift up, carry or unplug the appliance.
- ◆ Do not wrap the power cord around the appliance.
- ◆ Do not clip or crease the power cord.
- ◆ Do not allow the power cord to hang or to come into contact with the hot surfaces of the appliance.
- ◆ Check the state of the power cord. Damaged or tangled cables increase the risk of electric shock.
- ◆ Do not touch the plug with wet hands.
- ◆ Do not use the appliance if the cable or plug is damaged.

- ◆ If any of the appliance casings breaks, immediately disconnect the appliance from the mains to prevent the possibility of an electric shock.
- ◆ Do not use the appliance if it has fallen on the floor, if there are visible signs of damage or if it has a leak.
- ◆ Check that the surface to be cleaned or ironed can be treated with steam.
- ◆ When not in use the appliance should be stood on a flat stable surface.
- ◆ When the appliance is placed on a surface, make sure that the surface on which is placed is stable.
- ◆ Do not cover the appliance with objects that may interfere the proper operation.
- ◆ Do not use the appliance in association with a programmer, timer or other device that automatically switches it on.
- ◆ Do not use or store the appliance outdoors.
- ◆ Do not leave the appliance out in the rain or exposed to moisture. If water gets into the appliance, this will increase the risk of electric shock.
- ◆ Do not use the appliance with damp hands or feet, or when barefooted.

Use and care:

- ◆ Fully extend the appliance's power cable before each use.
- ◆ Do not use the appliance if the accessories or consumables attached to it are defective. Replace them immediately.
- ◆ Do not switch the appliance on without water.
- ◆ Do not use the appliance if the on/off switch does not work.
- ◆ Respect the MAX and MIN levels. (Fig.1).
- ◆ Disconnect the appliance from the mains when not in use and before undertaking any cleaning task.
- ◆ Store this appliance out of reach of children and/or persons with reduced physical, sensory or mental capabilities or lack of experience or knowledge.
- ◆ Do not store the appliance if it is still hot.
- ◆ Using the appliance and its accessories and tools in accordance with these instructions, taking into account the working conditions and the work to be performed. Use the appliance for operations different from those intended could result in a hazardous situation.
- ◆ Only use water with the appliance.
- ◆ The use of distilled water is recommended.
- ◆ It is advisable to use distilled water, especially if the water in your area contains clay or if it is "hard" (containing lime or magnesium).

- ◆ Never leave the appliance connected and unattended if is not in use. This saves energy and prolongs the life of the appliance.

Service:

- ◆ Make sure that the appliance is serviced only by specialist personnel, and that only original spare parts or accessories are used to replace existing parts/accessories.
- ◆ Any misuse or failure to follow the instructions for use renders the guarantee and the manufacturer's liability null and void.

DESCRIPTION

- A Steam head
- B Power Switch
- C Handle
- D Steam activation button
- E Power cord
- F Water tank (removable)
- G Fabric brush (removable)
- H Fur brush (removable)
- I Nozzle

If the model of your appliance does not have the accessories described above, they can also be bought separately from the Technical Assistance Service.

INSTRUCTIONS FOR USE

Before use:

- ◆ Remove any sticker or protective cover from the steam head.
- ◆ Unwind and straighten the cord before use.
- ◆ Make sure that all products' packaging has been removed.
- ◆ When operating the garment steamer for the first time, allow it to steam for a few minutes, this will remove any impurities and odours that might have been left by the manufacturing process.
- ◆ When operating the steam garment for the first time, you may want to try the steamer on an old piece of fabric before steaming you fabric.

Filling with water:

- ◆ 1) Ensure the appliance is unplugged. Turn the water tank clockwise to separate it from the main body.

Unscrew the water tank filler cap (Fig 3)

- ◆ 2) Fill the tank taking care to observe the the MAX level. Re-fit and tighten the filler cap
- ◆ Note: Your appliance was designed to operate using pure demineralized water.
- ◆ 3) Re-fit the water tank to the main body.

Use:

- ◆ Hold the appliance with your hand positioned safely at the neck of the garment steamer. in an upright position, use your other hand to attach the fabric brush onto the steam head. The fabric brush can be attached either way and will lock into position with an audible "click".
- ◆ Connect the appliance to a power outlet and switch it on. Press the power button, the power indicator light will be flashing and appliance will begin to heat. When the lights stop flashing into long bright, that preheat finished you can start using. Switch off the steamer by pressing the power button again during 3 seconds. When the appliance is powered off, the indicator light will extinguish.
- ◆ Once the water is filled to the MAXIMUM level and the appliance is connected to the power outlet, allow the garment steamer to preheat before use.
- ◆ This garment steamer has an intelligent automatic power off function. When the user stops operating this appliance for a period of time, the internal controls will cut off the power supply, this will help to prevent accidents, and can save electricity.

HOW TO STEAM YOUR GARMENT

- ◆ The garment steamer is easy to use and is perfect for removing wrinkles/creases from garments and curtains as well as refreshing furnishing fabrics.
- ◆ It can be used on most fabrics as long as the fabric is hanging or where the garment steamer can be easily used in an upright position moving over the fabric in an up and down motion.
- ◆ NOTE: the garment steamer is designed to be used in an upright position on hanging garments. Refrain from using the steamer in or on garments in a horizontal position.
- ◆ 1. Check that there is ventilation behind the fabric.
- ◆ 2. Check garment pockets are empty.
- ◆ 3. Hang the garment from a hanger and stretch the fabric slightly with one hand.
- ◆ 4 NOTE: we recommend you do not steam over metal accessories. Use caution and steam around the metal accessories.
- ◆ 5. Press the steam button. You will feel vibrations and hear a subtle humming sound while steaming; this is

normal; steam facing away from you and in an up right position

- ◆ 6. Gently press the fabric brush against the garment, moving your arm in an up and down motion targeting creases in the fabric.
- ◆ 7. Press the steam button to stop the steam.
- ◆ NOTE: ensure that the fabric to be steamed is being stretched whilst steaming for best results.
- ◆ ⚠ WARNING: the garment steamer generates high temperatures of steam. Do not touch the steam head, make sure the steamer is facing away from you in an upright position.
- ◆ 8. If using the garment steamer without the fabric brush, keep a distance of at least 5cm between the steam head and the garment.

TO STEAM CURTAINS

- ◆ 1. Wash and dry curtains as directed, according to the fabric type.
- ◆ 2. Hang the curtains and steam when they are hanging in place.
- ◆ 3. Lightly stretch the curtain with one hand while steaming to help remove creases more easily.

TO STEAM UPHOLSTERY

- ◆ 1. The garment steamer can be used to help freshen up upholstery, furniture covers and cushions. Before steaming, always test on a small area of the fabric that is not visible.
- ◆ 2. Keeping the garment steamer in an upright position and using an up and down motion. Lightly steam over the fabric of your furniture. cushions should be removed and held upright for steaming. Allow cushions to dry thoroughly before replacing on furniture.
- ◆ NOTE: It is recommended that you use the fabric brush attachment when steaming delicate fabrics such as silk. For better result when removing stubborn creases, remove the fabric brush attachment from the steam head and continuously steam over the selected area until creases are removed.
- ◆ ⚠ WARNING: Always unplug the garment steamer before attaching or detaching the fabric brush.
- ◆ NOTE: Only use attachments or accessories provided.
- ◆ NOTE: If the unit becomes noisy with a loud humming sound and no steam is being generated, check the water level in the water tank.
- ◆ ⚠ WARNING: Do not use the garment steamer on the body or animals.

Once you have finished using the appliance:

- ◆ Turn the appliance off, using the on/off switch.
- ◆ Unplug the appliance from the mains.
- ◆ Open the water tank inlet and (over a sink or bucket) invert the water tank to empty the remaining water from the tank.
- ◆ Stand the garment steamer on its base, in an upright position, and allow to cool.

Self-cleaning function:

- ◆ When you want to use this function, first you need to prepare a container, handle the appliance to put nozzle down into the container. Fill water into water tank to max, plug in the appliance, long press the power button 5s, the power light will be quick flashing, and the appliance begin self-cleaning, now the appliance will spray water out, which is normal. If you want to stop self-cleaning, long press the power button 5s, the power light will be off.

CLEANING

- ◆ Disconnect the appliance from the mains and allow it to cool before undertaking any cleaning task.
- ◆ Clean the equipment with a damp cloth with a few drops of washing-up liquid and then dry.
- ◆ Do not use solvents, or products with an acid or base pH such as bleach, or abrasive products, for cleaning the appliance.
- ◆ Never submerge the appliance in water or any other liquid or place it under running water.

ANOMALIES AND REPAIR

- ◆ Take the appliance to an authorised technical support service if product is damaged or other problems arise. Do not attempt to disassemble or repair the appliance yourself as this may be dangerous.

For EU product versions and/or in case that it is requested in your country:

Ecology and recyclability of the product

- ◆ The materials of which the packaging of this appliance consists are included in a collection, classification and recycling system. Should you wish to dispose of them, use the appropriate public recycling bins for each type of material.

- ◆ The product does not contain concentrations of substances that could be considered harmful to the environment.



This symbol means that in case you wish to dispose of the product once its working life has ended; take it to an authorised waste agent for the selective collection of Waste from Electric and Electronic Equipment (WEEE).

This appliance complies with Directive 2014/35/EU on Low Voltage, Directive 2014/30/EU on Electromagnetic Compatibility, Directive 2011/65/EU on the restrictions of the use of certain hazardous substances in electrical and electronic equipment and Directive 2009/125/EC on the ecodesign requirements for energy-related products.

WARRANTY AND TECHNICAL ASSISTANCE

This product enjoys the recognition and protection of the legal guarantee in accordance with current legislation. To enforce your rights or interests you must go to any of our official technical assistance services.

You can find the closest one by accessing the following web link: <http://www.2helpu.com/>.

You can also request related information, by contacting us (see the last page of the manual).

You can download this instruction manual and its updates at <http://www.2helpu.com/>.

Défroisseur-vapeur BXGS1600E

Cher Client,

Nous vous remercions d'avoir acheté un appareil BLACK + DECKER.

Sa technologie, son design et sa fonctionnalité, outre sa parfaite conformité aux normes de qualité les plus strictes, vous permettront d'en tirer une longue et durable satisfaction.

- ◆ Lire attentivement cette notice d'instructions avant de mettre l'appareil en marche, et la conserver pour la consulter ultérieurement. Le non-respect de ces instructions peut être source d'accident.

CONSEILS ET MESURES DE SÉCURITÉ

- ◆ Cet appareil peut être utilisé par des personnes non familiarisées avec son fonctionnement, des personnes handicapées ou des enfants âgés de plus de 8 ans, uniquement s'ils sont sous la surveillance d'une personne responsable ou après avoir reçu la formation nécessaire sur le fonctionnement sûr de l'appareil et en comprenant les dangers qu'il comporte.
- ◆ Les enfants ne doivent pas réaliser les opérations de nettoyage ou de maintenance de l'appareil sauf sous la supervision d'un adulte.
- ◆ Cet appareil n'est pas un jouet. Les enfants doivent être surveillés afin de s'assurer qu'ils ne jouent pas avec l'appareil.
- ◆ Si le cordon d'alimentation est endommagé, il devra être remplacé par le fabricant, par un service après-vente ou par tout professionnel agréé afin d'écartier tout danger.
- ◆ Débrancher l'appareil du secteur avant de remplir le réservoir d'eau.
- ◆ Débrancher l'appareil du secteur quand il n'est pas utilisé et avant de procéder à toute opération de nettoyage.
- ◆ Faire attention aux émissions de vapeur lorsque vous utilisez l'appareil.
- ◆ Cet appareil est uniquement destiné à un usage domestique et non à un usage professionnel ou industriel.
- ◆ Ne pas laisser le fer à repasser sans surveillance lorsqu'il est branché.
- ◆ Ne pas utiliser l'appareil s'il est tombé, s'il y a des signes visibles de dommages ou en cas de fuite.
- ◆ Conservez l'appareil et son cordon hors de portée des enfants de moins de 8 ans lorsqu'il est sous tension ou qu'il refroidit.
- ◆ Avant de raccorder l'appareil au secteur, s'assurer que le voltage indiqué sur la plaque signalétique correspond à celui du secteur.
- ◆ Raccorder l'appareil à une prise pourvue d'une fiche de terre et supportant au moins 16 ampères.
- ◆ La prise de courant de l'appareil doit coïncider avec la base de la prise de courant. Ne jamais modifier la prise de courant. Ne pas utiliser d'adaptateur de prise de courant.
- ◆ Ne pas forcer le câble électrique de connexion. Ne jamais utiliser le câble électrique pour lever, transporter ou débrancher l'appareil.

- ◆ Ne pas enrôler le câble électrique de connexion autour de l'appareil.
- ◆ Éviter que le câble électrique de connexion ne se coince ou ne s'emmêle.
- ◆ Vérifier l'état du câble électrique de connexion. Les câbles endommagés ou emmêlés augmentent le risque de décharge électrique.
- ◆ Ne pas toucher la fiche de l'appareil avec les mains mouillées.
- ◆ Ne pas utiliser l'appareil si son câble électrique ou sa prise sont endommagés.
- ◆ Si une des enveloppes protectrices de l'appareil se casse, débrancher immédiatement l'appareil du secteur pour éviter toute décharge électrique.
- ◆ Ne pas utiliser l'appareil s'il est tombé, s'il présente des signes visibles de dommages ou en présence de fuites.
- ◆ Vérifier que la surface à nettoyer accepte les traitements par vapeur.
- ◆ L'appareil doit être utilisé et placé sur une surface plane et stable.
- ◆ En posant l'appareil sur son socle, s'assurer que la surface de la base soit stable.
- ◆ Ne placer aucun objet sur l'appareil, pouvant faire obstacle au bon fonctionnement de(s) soupape(s) de sécurité de l'appareil.
- ◆ Ne pas utiliser l'appareil associé à un programmeur, minuteur ou autre dispositif connectant automatiquement l'appareil.
- ◆ Ne pas exposer l'appareil aux intempéries.
- ◆ Ne pas exposer l'appareil à la pluie ou à un environnement humide. L'eau qui entre dans l'appareil augmente le risque de décharge électrique.
- ◆ Ne pas utiliser l'appareil avec les mains ou les pieds mouillés, ni pieds nus.

Utilisation et entretien :

- ◆ Avant chaque utilisation, dérouler complètement le câble électrique de l'appareil.
- ◆ Ne pas utiliser l'appareil si les accessoires qui lui sont assemblés présentent des défauts. Le cas échéant, les remplacer immédiatement.
- ◆ Ne jamais mettre en marche l'appareil sans eau.
- ◆ Ne pas utiliser l'appareil si son dispositif de mise en marche/arrêt ne fonctionne pas.
- ◆ Respecter les niveaux MAXIMUM ET MINIMUM. (Fig.1).
- ◆ Débrancher l'appareil du réseau électrique si vous ne l'utilisez pas et avant toute opération de nettoyage, réglage, mise en place ou changement d'accessoires.
- ◆ Conserver cet appareil hors de portée des enfants ou des personnes avec capacités physiques, sensorielles

ou mentales réduites ou présentant un manque d'expérience et de connaissances

- ◆ Ne pas ranger l'appareil s'il est encore chaud.
- ◆ Utiliser cet appareil, ses accessoires et outils conformément au mode d'emploi, en tenant compte des conditions de travail et du travail à réaliser. L'utilisation de l'appareil pour des opérations autres que celles pour lesquelles il a été conçu pourrait impliquer des situations dangereuses.
- ◆ N'utiliser l'appareil qu'avec de l'eau.
- ◆ L'utilisation d'eau distillée est recommandée.
- ◆ Vérifier périodiquement le parfait état d'usage du joint d'étanchéité du couvercle.
- ◆ Ne jamais laisser l'appareil branché sans surveillance. Ceci permettra également de réduire sa consommation d'énergie et de prolonger sa durée de vie.

Entretien:

- ◆ Assurez-vous que le service de maintenance de l'appareil est réalisé par du personnel spécialisé, et que dans le cas où vous auriez besoin de pièces de rechange, celles-ci soient originales.
- ◆ Toute utilisation inappropriée ou non conforme aux instructions d'utilisation annule la garantie et la responsabilité du fabricant.

DESCRIPTION

- A Tête à vapeur
- B Bouton Marche/Arrêt
- C Poignée
- D Bouton d'activation de vapeur
- E Câble
- F Réservoir d'eau (extractible)
- G Brosse à tissu (amovible)
- H Brosse statique (amovible)
- I Orifices

Si votre modèle ne dispose pas des accessoires précédemment décrits, ceux-ci peuvent être achetés séparément auprès des services d'assistance technique.

MODE D'EMPLOI

Consignes préalables :

- ◆ Enlevez le film ou protection de la tête du défroisseur.
- ◆ Déroulez et étirez le câble avant son utilisation.

- ◆ Lors de la première utilisation du défroisseur, laissez sortir la vapeur durant quelques minutes pour éliminer d'éventuelles impuretés et odeurs qui auraient pu subsister en raison du processus de fabrication.
- ◆ Lorsque vous utiliserez le défroisseur pour la première fois, essayez-le sur un vieux morceau de tissu avant de l'utiliser sur vos vêtements.

MONTAGE ET FONCTIONNEMENT DE VOTRE DÉFROISSEUR-VAPEUR

Remplir le réservoir :

- ◆ 1) Avec l'appareil débranché, retirer le réservoir comme indiqué sur les figures 2 et 3.
- ◆ 2) Remplir le réservoir sans dépasser le niveau maximum. Puis installer le réservoir sur l'appareil.
- ◆ Remarque : Utiliser de l'eau distillée.
- ◆ 3) Positionner de nouveau le réservoir d'eau en place.

Utilisation

- ◆ Saisissez fermement l'appareil par le manche et maintenez-le en position verticale, et utilisez l'autre main pour installer la brosse sur la tête du défroisseur. La brosse peut être montée dans les deux sens et restera bloquée dans sa position avec un « clic » audible.
- ◆ Branchez l'appareil sur une prise de courant et allumez-le. En appuyant sur l'interrupteur on/off, le voyant d'allumage se mettra à clignoter et l'appareil commencera à chauffer. Lorsque la lumière du voyant cesse de clignoter, cela veut dire que le pré-chauffage est terminé et que vous pouvez commencer à utiliser l'appareil. En appuyant une nouvelle fois sur l'interrupteur on/off pendant 3 secondes, le défroisseur s'éteint. Lorsque l'appareil est éteint, le voyant aussi s'éteint.
- ◆ Une fois que vous aurez rempli le réservoir à son niveau maximum et que vous aurez branché l'appareil sur la prise de courant, laissez le défroisseur préchauffer avant son utilisation.
- ◆ Ce défroisseur-vapeur est doté d'une fonction intelligente d'arrêt automatique. Lorsque l'utilisateur cesse d'utiliser ce produit durant un certain temps, le produit du circuit de contrôle interne coupe l'alimentation électrique pour prévenir tout accident et économiser l'électricité.

COMMENT UTILISER VOTRE DÉFROISSEUR -VAPEUR

- ◆ Le défroisseur-vapeur est facile à utiliser et idéal pour défroisser et éliminer les plis des vêtements et des rideaux, ainsi que pour raviver tout objet en tissu de

votre maison.

- ◆ Il est possible de vaporiser sur la plupart des tissus, à condition que le vêtement soit suspendu ou que le défroisseur puisse être utilisé sans problème en position verticale, en le déplaçant sur le vêtement de bas en haut ou vice-versa.
- ◆ NOTE: le défroisseur-vapeur est conçu pour être utilisé en position verticale sur des vêtements suspendus. Abstenez-vous d'utiliser le défroisseur-vapeur sur des vêtements disposés à l'horizontale.
- ◆ 1. Vérifiez qu'il y a de la ventilation derrière le tissu.
- ◆ 2. Vérifiez que les poches du vêtement sont vides
- ◆ 3. Suspendez le vêtement sur un cintre et tirez légèrement sur le tissu avec une main
- ◆ 4. NOTE: Il est conseillé de ne pas vaporiser sur les accessoires métalliques. Vaporisez en faisant attention autour des accessoires métalliques.
- ◆ 5. Appuyer sur le bouton d'activation de vapeur. Durant l'opération de défroissage, vous percevrez des vibrations et vous entendrez un léger bourdonnement. Cela est normal. Procédez au défroissage avec la tête dirigée vers le vêtement et en position verticale.
- ◆ 6. Appuyez légèrement la brosse contre le vêtement, en déplaçant le bras du bas vers le haut et du haut vers le bas sur les plis du tissu.
- ◆ 7. Appuyer sur le bouton d'activation de vapeur du défroisseur pour arrêter la vapeur.
- ◆ NOTE: pour de meilleurs résultats, assurez-vous de bien tirer sur le tissu pendant que vous le vaporisez.
- ◆ ⚠ AVERTISSEMENT: la vapeur produite par le défroisseur-vapeur atteint des températures élevées. Ne touchez pas la tête du défroisseur et assurez-vous que le défroisseur est bien dirigé vers le vêtement et en position verticale.
- ◆ 8. Si vous utilisez le défroisseur sans la brosse, maintenez une distance minimum de 5 cm entre la tête du défroisseur et le vêtement.

POUR DÉFROISSER DES RIDEAUX

- ◆ 1. Lavez et séchez les rideaux suivant les recommandations applicables au type de tissu.
- ◆ 2. Accrochez les rideaux à leur place habituelle et vaporisez-les.
- ◆ 3. Tirez légèrement sur le rideau avec une main pendant que vous vaporisez pour éliminer plus facilement les plis.

VAPORISER DES MEUBLES TAPISSÉS

- ◆ 1. Le défroisseur-vapeur peut aussi être utilisé pour raviver des tapisseries, des housses de meubles et des coussins. Avant de vaporiser, toujours faire un essai sur

une petite zone du tissu non visible.

- ◆ 2. Maintenir le défroisseur en position verticale et l'utiliser avec des mouvements de bas en haut et de haut en bas. Vaporisez légèrement le tissu de vos meubles. Il est conseillé de tenir les coussins avec la main et de les maintenir en position verticale pendant la vaporisation. Les laisser sécher complètement avant de les remettre à leur place.
- ◆ NOTE: pour protéger les tissus fragiles, comme la soie, il est préférable d'utiliser le défroisseur avec la brosse. Pour un meilleur résultat lors de l'élimination de plis rebelles, retirez l'accessoire brosse-tissu de la tête du défroisseur et vaporisez de manière continue sur la zone sélectionnée, jusqu'à l'élimination complète des plis.
- ◆ ▲ AVERTISSEMENT: avant de monter ou de démonter la brosse, débranchez toujours le défroisseur-vapeur.
- ◆ NOTE: utilisez uniquement les accessoires fournis avec l'appareil.
- ◆ NOTE: si l'appareil devient bruyant, en émettant un fort bourdonnement, et qu'il ne produit pas de vapeur, vérifiez le niveau d'eau du réservoir.
- ◆ ▲ AVERTISSEMENT: ne pas utiliser le défroisseur-vapeur directement sur la peau animale.

APRÈS UTILISATION DE L'APPAREIL

- ◆ Arrêter l'appareil en appuyant sur l'interrupteur de marche/arrêt.
- ◆ Débrancher l'appareil du secteur.
- ◆ Ouvrez le réservoir d'eau et, au-dessus d'un évier ou d'une bassine, videz le restant d'eau.
- ◆ Rangez le défroisseur-vapeur sur son socle, en position verticale, et laissez-le refroidir.

Fonction d'auto-nettoyage

- ◆ Pour utiliser cette fonction, commencer par préparer un récipient pour recueillir l'eau. Remplir le réservoir d'eau jusqu'au niveau maximum. Brancher l'appareil, appuyer sur le bouton Marche et le maintenir enfoncé pendant 5 secondes. Le voyant Marche clignotera rapidement et l'appareil procédera au nettoyage automatique et pulvérisera de l'eau. Pour arrêter l'auto-nettoyage, maintenir le bouton Marche enfoncé pendant 5 secondes. Le voyant Marche s'éteindra.

NETTOYAGE

- ◆ Débrancher l'appareil du secteur et attendre son refroidissement complet avant de le nettoyer.

- ◆ Nettoyer l'appareil avec un chiffon humide imprégné de quelques gouttes de détergent et le laisser sécher.
- ◆ Ne pas utiliser de solvants ni de produits au pH acide ou basique tels que l'eau de Javel, ni de produits abrasifs pour nettoyer l'appareil.
- ◆ Ne pas immerger l'appareil dans l'eau ou tout autre liquide, ni le passer sous un robinet.

ANOMALIES ET RÉPARATION

- ◆ En cas de panne, remettre l'appareil à un service d'assistance technique agréé. Il est dangereux de tenter de procéder aux réparations ou de démonter l'appareil soi-même.

Pour les versions UE du produit et/ou en fonction de la législation du pays d'installation :

Écologie et recyclage du produit

- ◆ Les matériaux constitutifs de l'emballage de cet appareil font partie d'un programme de collecte, de tri et de recyclage. Si vous souhaitez vous débarrasser du produit, merci de bien vouloir utiliser les conteneurs publics appropriés à chaque type de matériau.
- ◆ Le produit ne contient pas de substances concentrées susceptibles d'être considérées comme nuisibles à l'environnement.



Ce symbole signifie que si vous souhaitez vous débarrasser de l'appareil, en fin de vie utile, celui-ci devra être consigné, en prenant les mesures adaptées, à un centre agréé de collecte sélective des déchets d'équipements électriques et électroniques (DEEE).

Cet appareil est certifié conforme à la Directive 2014/35/EU de Basse Tension, de même qu'à la Directive 2014/30/EU en matière de Compatibilité Électromagnétique, à la Directive 2011/65/EU relative à la limitation d'utilisation de certaines substances dangereuses dans les équipements électriques et électroniques et à la Directive 2009/125/EC sur les conditions de conception écologique applicables aux produits faisant usage d'énergie.

GARANTIE ET ASSISTANCE TECHNIQUE

Ce produit est reconnu et protégé par la garantie établie conformément à la législation en vigueur. Pour faire valoir vos droits ou intérêts, vous devrez vous adresser à l'un de nos services d'assistance technique agréés.

Pour savoir lequel est le plus proche, vous pouvez accéder au lien suivant : <http://www.2helpu.com/>

Vous pouvez aussi nous contacter pour toute information (veuillez consulter la dernière page du manuel).

Vous pouvez télécharger ce manuel d'instructions et ses mises à jour sur <http://www.2helpu.com/>.

Kleidungsdämpfer BXGS1600E

Sehr geehrte Kunden,

Wir danken Ihnen für Ihre Entscheidung, ein BLACK+DECKER Gerät zu kaufen.

Die Technologie, das Design und die Funktionalität dieses Produkts, das die anspruchsvollsten Qualitätsnormen erfüllt, werden Sie über viele Jahre zufriedenstellen.

- ◆ Lesen Sie die Gebrauchsanweisung sorgfältig, bevor Sie das Gerät einschalten und bewahren Sie diese zum Nachschlagen zu einem späteren Zeitpunkt auf. Werden die Hinweise dieser Bedienungsanleitung nicht beachtet und eingehalten, kann es zu Unfällen kommen.

RATSCHLÄGE UND SICHERHEITSHINWEISE

- ◆ Personen, denen es an Wissen im Umgang mit dem Gerät mangelt, geistig behinderte Personen oder Kinder ab 8 Jahren dürfen das Gerät nur unter Aufsicht oder Anleitung über den sicheren Gebrauch des Gerätes benutzen, sofern sie die von dem Gerät ausgehenden Gefahren verstehen.
- ◆ Kinder dürfen keine Reinigungs- oder Instandhaltungsarbeiten am Gerät ausführen, sofern sie nicht von einem Erwachsenen beaufsichtigt werden.
- ◆ Dieses Gerät ist kein Spielzeug. Kinder müssen beaufsichtigt werden, damit sie nicht mit dem Gerät spielen.
- ◆ Wenn das Netzkabel beschädigt ist, muss es aus Sicherheitsgründen vom Kundendienst des Herstellers oder einem entsprechenden Fachmann ersetzt werden.
- ◆ Zum Auffüllen des Wassertanks das Gerät vom Stromnetz nehmen.
- ◆ Ziehen Sie den Stecker heraus und lassen Sie das Gerät abkühlen, bevor Sie mit der Reinigung beginnen.
- ◆ Seien Sie aufgrund des Dampfaustritts vorsichtig bei der Verwendung des Geräts.
- ◆ Dieses Gerät ist ausschließlich für den häuslichen Gebrauch ausgelegt und ist für professionelle oder gewerbliche Zwecke nicht geeignet.
- ◆ Lassen Sie das Gerät nicht unbeaufsichtigt, solange es an das elektrische Netz geschlossen ist.
- ◆ Das Gerät nicht benutzen, wenn es heruntergefallen ist, sichtbare Schäden aufweist oder undicht ist.
- ◆ Halten Sie das Bügeleisen und das Netzkabel außerhalb der Reichweite von Kindern unter 8 Jahren, wenn das Gerät eingeschaltet ist oder abkühlt.
- ◆ Vergewissern Sie sich, dass die Spannung auf dem Typenschild mit der Netzspannung übereinstimmt, bevor Sie den Apparat an das Stromnetz anschließen.
- ◆ Das Gerät an einen Stromanschluss anschließen, der mindestens 16 Ampere liefert.
- ◆ Der Stecker des Geräts muss mit dem Steckdosentyp des Stromanschlusses übereinstimmen. Der Gerätestecker darf unter keinen Umständen modifiziert werden. Keine Adapter für den Stecker verwenden.
- ◆ Nicht mit Gewalt am elektrischen Anschlusskabel ziehen.

Benutzen Sie das elektrische Kabel nicht zum Anheben oder Transportieren des Geräts. Den Stecker nicht am Kabel aus der Dose ziehen.

- ◆ Kabel nicht um das Gerät rollen.
- ◆ Achten Sie darauf, dass das elektrische Kabel nicht getreten oder zerknittert wird.
- ◆ Überprüfen Sie den Zustand des elektrischen Verbindungskabels. Beschädigte oder verwickelte Kabel erhöhen das Risiko von elektrischen Schlägen.
- ◆ Berühren Sie den Stecker nicht mit feuchten Händen.
- ◆ Das Gerät darf nicht mit beschädigtem elektrischem Kabel oder Stecker verwendet werden.
- ◆ Sollte ein Teil der Geräteverkleidung beschädigt sein, ist die Stromzufuhr umgehend zu unterbrechen, um einen möglichen elektrischen Schlag zu vermeiden.
- ◆ Das Gerät nicht benutzen, wenn es heruntergefallen ist, sichtbare Schäden aufweist oder undicht ist.
- ◆ Prüfen Sie, ob die zu reinigende Fläche mit Dampf behandelt werden darf.
- ◆ Das Gerät muss auf einer ebenen und standfesten Oberfläche aufgestellt und benutzt werden.
- ◆ Bevor das Gerät in sein Gestell gestellt wird, vergewissern Sie sich, dass das Gestell auf einer stabilen Fläche steht.
- ◆ Keine Gegenstände auf das Gerät legen. Diese können den einwandfreien Betrieb des/der Sicherheitsventils-/ventile des Geräts beeinträchtigen.
- ◆ Dieses Gerät nicht über einen Programmschalter, eine externe Zeitschaltuhr oder eine sonstige Vorrichtung zum automatischen Einschalten betreiben.
- ◆ Das Gerät nicht im Freien benutzen oder aufbewahren.
- ◆ Das Gerät niemals Regen oder Feuchtigkeit aussetzen. Wasser, das eventuell in das Gerät gelangt, erhöht die Elektroschockgefahr.
- ◆ Das Gerät darf nicht mit nassen Händen oder Füßen und auch nicht barfuß betätigt werden.

Benutzung und Pflege:

- ◆ Vor jedem Gebrauch des Geräts das Stromkabel vollständig abwickeln.
- ◆ Gerät nicht benützen, wenn die Zubehörteile mangelhaft sind. Ersetzen Sie diese sofort.
- ◆ Niemals das Gerät ohne Wasser einschalten.
- ◆ Benützen Sie das Gerät nicht, wenn der An-/Ausschalter nicht funktioniert.
- ◆ Achten Sie auf die MAX- und MIN-Markierungen. (Fig. 1).
- ◆ Ziehen Sie den Stecker heraus und lassen Sie das Gerät abkühlen, bevor Sie mit der Reinigung beginnen.
- ◆ Das Gerät außerhalb der Reichweite von Kindern und/

oder Personen mit eingeschränkten körperlichen, sensorischen oder geistigen Fähigkeiten bzw. Personen ohne ausreichende Erfahrung und Kenntnisse aufbewahren.

- ◆ Das Gerät nicht wegräumen, wenn es noch heiß ist.
- ◆ Verwenden Sie dieses Gerät, seine Zubehörteile und seine Werkzeuge gemäß diesen Anleitungen und unter Berücksichtigung der Arbeitsbedingungen und der zu verrichtenden Arbeit. Der Gebrauch des Gerätes für andere als die vorgesehenen Zwecke kann gefährlich sein.
- ◆ Das Gerät nur mit Wasser verwenden.
- ◆ Die Verwendung von destilliertem Wasser wird empfohlen.
- ◆ Regelmäßig den perfekten Zustand der Dichtung des Deckels überprüfen.
- ◆ Das Gerät nie am Stromnetz angeschlossen und ohne Aufsicht lassen. Sie sparen dadurch Energie und verlängern die Gebrauchsdauer des Gerätes.

Betrieb:

- ◆ Achten Sie darauf, dass Reparaturen am Gerät nur von einem Fachmann ausgeführt werden. Wenn Sie Betriebsmittel / Ersatzteile benötigen, dürfen diese nur Originalteile sein.
- ◆ Unsachgemäße Verwendung bzw. Nichteinhaltung der Gebrauchsanweisung kann Gefahren zur Folge haben und führt zum Erlöschen der Garantieansprüche sowie der Haftung des Herstellers.

BEZEICHNUNG

- | | |
|---|------------------------------|
| A | Dampfkopf |
| B | EIN/AUS-Schalter |
| C | Griff |
| D | Dampftaste |
| E | Kabel |
| F | Wassertank (herausnehmbar) |
| G | Textilbürste (herausnehmbar) |
| H | Statikbürste (herausnehmbar) |
| I | Aufnahme |

Wenn Sie meinen, dass das Gerät nicht mit dem oben angeführten Zubehör ausgestattet ist, können Sie die Teile auch einzeln beim Technischen Dienst erwerben.

BENUTZUNGSHINWEISE

Vor der Benutzung:

- ◆ Entfernen Sie alle Aufkleber oder Schutzabdeckungen vom Dampferkopf.
- ◆ Wickeln Sie das Kabel vor dem Gebrauch ab und rollen Sie es aus.
- ◆ Wenn Sie das Gerät zum ersten Mal verwenden, lassen Sie es einige Minuten Dampf ablassen. Dies trägt dazu bei, dass Unreinheiten und Gerüche entfernt werden, die sich aufgrund des Fabrikationsprozesses noch im Gerät befinden.
- ◆ Wenn Sie den Dampfer zum ersten Mal verwenden, sollten Sie ihn zunächst an einem alten Stück Stoff testen, bevor Sie ihn für Ihre Kleidung verwenden.

ZUSAMMENBAU UND BEDIENUNG IHRES KLEIDUNGSDÄMPFERS

Füllen des Wassertanks

- ◆ 1) Entfernen Sie bei ausgestecktem Gerät den Tank wie in Abbildung 2 und 3 gezeigt.
- ◆ 2) Füllen Sie den Tank, ohne den maximalen Füllstand zu überschreiten. Montieren Sie anschließend den Tank in das Gerät.
- ◆ Hinweis: Das Gerät ist für den Betrieb mit destilliertem Wasser ausgelegt.
- ◆ 3) Setzen Sie den Wassertank wieder in das Gerät ein.

Benutzung

- ◆ Halten Sie das Gerät mit der Hand am Hals des Kleidungs dampfers fest, halten Sie es in aufrechter Position und halten Sie mit der anderen Hand die Bürste am Kopf des Dampfers. Die Bürste kann in beide Richtungen angeschlossen werden und rastet mit einem hörbaren „Klick“ ein.
- ◆ Schließen Sie das Gerät an eine Steckdose an und schalten Sie es ein. Wenn die Einschalttaste gedrückt wird, blinkt die Betriebsleuchte und das Gerät beginnt zu heizen. Wenn die Leuchte nicht mehr blinkt, sondern konstant leuchtet, bedeutet dies, dass das Vorheizen beendet ist und Sie das Gerät verwenden können. Wenn Sie den Netzschalter erneut 3 Sekunden lang drücken, schaltet sich der Verdampfer aus. Wenn das Gerät ausgeschaltet ist, erlischt die Kontrollleuchte.
- ◆ Wenn das Wasser den maximalen Füllstand erreicht hat und das Gerät an das Stromnetz angeschlossen ist, lassen Sie den Dampfer vor dem Gebrauch vorheizen.
- ◆ Dieser Wäschedampfer verfügt über eine intelligente Abschaltautomatik. Wenn der Benutzer dieses Produkt für eine bestimmte Zeit nicht mehr benutzt, schaltet der

interne Steuerkreis des Produkts die Stromversorgung ab, um Unfälle zu vermeiden und Strom zu sparen.

BENUTZUNG DES WÄSCHE DÄMPFERS

- ◆ Der Kleidungs dämpfer ist leicht zu verwenden und perfekt für die Entfernung von Falten oder Knittern in Kleidung oder Vorhängen und für die Auffrischung von Heimtextilien.
- ◆ Er kann für die meisten Stoffe verwendet werden, wenn das Kleidungsstück aufgehängt ist, oder der Dämpfer leicht in vertikaler Position mit einer auf- und absteigenden Bewegung verwendet werden kann.
- ◆ HINWEIS: Der Kleidungs dämpfer ist so entworfen, dass er in vertikaler Position an aufgehängten Kleidungsstücken verwendet werden kann. Verwenden Sie den Dämpfer nicht an Kleidungsstücken, die in einer horizontalen Position angebracht sind.
- ◆ 1. Stellen Sie sicher, dass das Kleidungsstück von hinten belüftet wird.
- ◆ 2. Stellen Sie sicher, dass die Taschen des Kleidungsstücks leer sind.
- ◆ 3. Hängen Sie das Kleidungsstück auf einen Bügel und ziehen Sie den Stoff leicht mit einer Hand.
- ◆ 4. HINWEIS: es wird empfohlen, nicht auf Metallaccessoires zu dämpfen. Seien Sie vorsichtig und dämpfen Sie um die Metallaccessoires herum.
- ◆ 5. Die Dampftaste drücken. Während des Verdampfungsvorgangs spüren Sie Vibrationen und hören ein dezentes Brummen. Dies ist normal. Führen Sie das Sprühen mit nach vorne gerichtetem Kopf und in aufrechter Position durch.
- ◆ 6. Drücken Sie die Bürste sanft gegen das Kleidungsstück und bewegen Sie den Arm in einer Auf- und Abwärtsbewegung über die Falten im Stoff.
- ◆ 7. Drücken Sie die Dampftaste, um den Dampf zu stoppen.
- ◆ HINWEIS: Um ein optimales Ergebnis zu erzielen, stellen Sie sicher, dass Sie den Stoff beim Dämpfen spannen.
- ◆ ⚠️ WARNUNG: Der Kleidungs dämpfer erzeugt hohe Dampftemperaturen. Berühren Sie den Dampferkopf nicht und achten Sie darauf, dass der Dampfer nach vorne und in aufrechter Position steht.
- ◆ 8. Wenn Sie den Kleiderdampfer ohne Bürste verwenden, halten Sie einen Abstand von mindestens 5 cm zwischen dem Dampferkopf und dem Kleidungsstück ein.

ZUM BESPRÜHEN VON VORHÄNGEN

- ◆ 1. Waschen und trocknen Sie die Vorhänge gemäß der

Empfehlungen für diese Art von Stoff.

- ◆ 2. Hängen Sie die Vorhänge auf und dämpfen Sie sie, wenn sie an ihrem Ort angebracht sind.
- ◆ 3. Ziehen Sie den Vorhang leicht mit einer Hand während Sie dämpfen, so werden die Knitter leichter entfernt.

POLSTERMÖBEL DÄMPFEN

- ◆ 1. Der Kleidungsdämpfer kann auch zum Auffrischen von Polstermöbeln, Möbelüberzügen und Kissen auf den Möbeln und im Schlafzimmer verwendet werden. Vor dem Dämpfen muss stets zur Probe an einem kleinen unsichtbaren Bereich des Stoffs gedämpft werden.
- ◆ 2. Den Dämpfer in vertikaler Position halten und mit auf- und absteigenden Bewegungen verwenden. Leicht auf dem Stoff Ihrer Möbel dämpfen. Die Kissen sollten während des Dämpfens festgehalten und in vertikaler Position gedämpft werden. Lassen Sie die Kissen vollständig trocknen, bevor Sie sie wieder an den Möbeln anbringen.

- ◆ **HINWEIS:** Um empfindliche Stoffe, wie z. B. Seide, zu schützen, ist es ratsam, den Dämpfer mit der Bürste zu verwenden. Die besten Ergebnisse bei der Entfernung hartnäckiger Falten erzielen Sie, wenn Sie den Stoffbürstenaufsatz vom Dampferkopf abnehmen und kontinuierlich über den ausgewählten Bereich sprühen, bis die Falten entfernt sind.

- ◆ **▲ WARNUNG:** Trennen Sie vor dem Zusammenbau oder der Demontage der Bürste immer den Kleiderdämpfer vom Stromnetz.

- ◆ **HINWEIS:** Verwenden Sie nur das mitgelieferte Zubehör.

- ◆ **HINWEIS:** Wenn das Gerät ein lautes Summgeräusch von sich gibt und keinen Dampf erzeugt, überprüfen Sie den Wasserstand im Wassertank.

- ◆ **▲ WARNUNG:** Verwenden Sie den Kleiderdämpfer nicht direkt auf der Haut eines Tieres.

NACH DER BENUTZUNG DES GERÄTS

- ◆ Stellen Sie das Gerät mit dem An-/Ausschalter ab.
- ◆ Den Stecker aus der Netzdose ziehen.
- ◆ Öffnen Sie den Wassertankeinlass und schütten Sie (über einem Waschbecken oder Eimer) den Wassertank aus, um das restliche Wasser aus dem Tank abzulassen.
- ◆ Stellen Sie den Kleiderdämpfer in aufrechter Position auf den Sockel und lassen Sie ihn abkühlen.

Selbstreinigungsfunktion

- ◆ Wenn Sie diese Funktion nutzen wollen, müssen Sie zunächst einen Behälter zum Auffangen des Wassers vorbereiten. Füllen Sie den Wassertank bis zum Maximum,

schließen Sie das Gerät an, halten Sie die Einschalttaste 5 Sekunden lang gedrückt. Die Betriebsanzeige blinkt schnell und das Gerät beginnt mit der Selbstreinigung und dem Wasserstrahl. Wenn Sie die Selbstreinigung stoppen möchten, halten Sie die Einschalttaste 5 Sekunden lang gedrückt, woraufhin die Betriebsanzeige erlischt.

REINIGUNG

- ◆ Ziehen Sie den Stecker heraus und lassen Sie das Gerät abkühlen, bevor Sie mit der Reinigung beginnen.
- ◆ Reinigen Sie das Gerät mit einem feuchten Tuch, auf das Sie einige Tropfen Reinigungsmittel geben und trocknen Sie es danach ab.
- ◆ Verwenden Sie zur Reinigung des Geräts weder Löse- oder Scheuermittel noch Produkte mit einem sauren oder basischen pH-Wert wie z.B. Lauge.
- ◆ Das Gerät nicht in Wasser oder andere Flüssigkeiten tauchen und nicht unter den Wasserhahn halten.

STÖRUNGEN UND REPARATUR

- ◆ Bei Schäden und Störungen bringen Sie das Gerät zu einem zugelassenen Technischen Kundendienst. Versuchen Sie nicht, das Gerät selbst auseinanderzubauen und zu reparieren. Das könnte Gefahren zur Folge haben.

Für die EU-Ausführungen des Produkts und/oder für Länder, in denen diese Vorschriften anzuwenden sind:

Ökologie und Recycling des Produkts

- ◆ Die zur Herstellung des Verpackungsmaterials dieses Geräts verwendeten Materialien sind im Sammel-, Klassifizierungs- und Recyclingsystem integriert. Wenn Sie es entsorgen möchten, können Sie die öffentlichen Container für die einzelnen Materialarten verwenden.
- ◆ Das Produkt ist frei von umweltschädlichen Konzentrationen von Substanzen.



Dieses Symbol weist darauf hin, dass das Produkt, wenn Sie es am Ende seiner Lebensdauer entsorgen wollen, in geeigneter Weise bei einer zugelassenen Entsorgungsstelle abzugeben ist, um die getrennte Sammlung von

Elektro- und Elektronikgeräte-Abfall (WEEE) sicherzustellen.

Dieses Gerät erfüllt die Richtlinie 2014/35/EU über Niederspannung, die Richtlinie 2014/30/EU über elektromagnetische Verträglichkeit, die Richtlinie 2011/65/EU zur Beschränkung der Verwendung bestimmter gefährlicher Stoffe in Elektro- und Elektronikgeräten und die Richtlinie 2009/125/EC über die Anforderungen an die umweltgerechte Gestaltung energiebetriebener Produkte.

GARANTIE UND TECHNISCHER SERVICE

Dieses Produkt ist von der gesetzlichen Garantie gemäß der geltenden Gesetzgebung geschützt. Um Ihre Rechte und Interessen geltend zu machen, müssen Sie eines unserer offiziellen Servicezentren aufsuchen.

Über folgenden Link finden Sie ein Servicezentrum in Ihrer Nähe: <http://www.2helpu.com/>

Sie können auch Informationen anfordern, indem Sie sich mit uns in Verbindung setzen (siehe letzte Seite des Handbuchs).

Sie können dieses Benutzerhandbuch und seine Aktualisierungen unter <http://www.2helpu.com/> herunterladen.

Vaporizzatore per abiti BXGS1600E

Egregio cliente,

Le siamo grati per aver acquistato un prodotto della marca BLACK+DECKER.

La sua tecnologia, il suo design e la sua funzionalità, oltre al fatto di aver superato le più rigorose norme di qualità, le assicureranno una totale e durevole soddisfazione.

- ◆ Prima di utilizzare l'apparecchio, leggere attentamente le istruzioni riportate nel presente opuscolo e conservarlo per future consultazioni. La mancata osservanza delle presenti istruzioni può essere causa di incidenti.

CONSIGLI E AVVERTENZE PER LA SICUREZZA

- ◆ Questo apparato può essere utilizzato da persone che non ne conoscono il funzionamento, persone disabili o bambini di età superiore agli 8 anni, ma esclusivamente sotto la sorveglianza di un adulto o nel caso abbiano ricevuto le dovute istruzioni per utilizzarlo in completa sicurezza e ne comprendano i rischi.
- ◆ I bambini possono eseguire operazioni di pulizia o di manutenzione dell'apparecchio solo se sorvegliati da un adulto.
- ◆ Questo apparecchio non è un giocattolo. Assicurarsi che i bambini non giochino con l'apparecchio.
- ◆ Se il cavo di alimentazione è danneggiato farlo sostituire dal produttore, da un servizio di assistenza post-vendita o da personale qualificato per evitare pericoli.
- ◆ Scollegare l'apparecchio dalla rete prima di riempire il serbatoio d'acqua.
- ◆ Scollegare la spina dalla presa di corrente quando l'apparecchio non è in uso e prima di eseguire qualsiasi operazione di pulizia.
- ◆ Fare attenzione durante l'uso dell'apparecchio, giacché emette vapore.
- ◆ Questo apparecchio è destinato unicamente ad un uso domestico, non professionale o industriale.
- ◆ Non lasciare l'apparecchio incustodito quando sia collegato alla rete di alimentazione elettrica.
- ◆ Non usare l'apparecchio in seguito a cadute, nel caso presenti danni visibili o in presenza di qualsiasi perdita.
- ◆ Tenere l'apparecchio e il relativo cavo lontano dalla portata dei bambini di età inferiore agli 8 anni quando è alimentato o si sta raffreddando.
- ◆ Prima di collegare l'apparecchio alla rete elettrica, verificare che il voltaggio indicato sulla targhetta caratteristiche e il selettore di voltaggio corrispondano al voltaggio della rete.
- ◆ Collegare l'apparecchio a una base dotata di messa a terra e che possa sostenere almeno 16 ampere.
- ◆ Verificare che la presa sia adatta alla spina dell'apparecchio. Non apportare alcuna modifica alla spina. Non usare adattatori a spina.
- ◆ Non tirare il cavo elettrico. Non usare mai il cavo elettrico per sollevare, trasportare o scollegare l'apparecchio.
- ◆ Non avvolgere il cavo di alimentazione attorno all'appa-

recchio.

- ◆ Non lasciare che il cavo rimanga impigliato o attorcigliato.
- ◆ Controllare lo stato del cavo di alimentazione. I cavi danneggiati o attorcigliati aumentano il rischio di scariche elettriche.
- ◆ Non toccare mai la spina con le mani bagnate.
- ◆ Non utilizzare l'apparecchio se il cavo di alimentazione o la spina sono danneggiati.
- ◆ In caso di rottura di una parte dell'involucro esterno dell'apparecchio, scollegare immediatamente la spina dalla presa di corrente, al fine di evitare eventuali scariche elettriche.
- ◆ Non usare l'apparecchio dopo una caduta, se presenta danni visibili o in presenza di qualsiasi perdita.
- ◆ Verificare che la superficie da pulire possa essere trattata con vapore.
- ◆ L'apparecchio deve essere collocato e utilizzato su una superficie piana e stabile.
- ◆ Se si colloca l'apparecchio su un supporto, assicurarsi che la superficie sulla quale appoggia il supporto sia stabile.
- ◆ Non collocare sull'apparecchio oggetti che possano impedire il buon funzionamento della/e valvola/e di sicurezza dell'apparecchio.
- ◆ Non collegare l'apparecchio a programmatori, temporizzatore o altri dispositivi che ne consentano il funzionamento automatico.
- ◆ Non usare o esporre l'apparecchio alle intemperie.
- ◆ Non lasciare l'apparecchio sotto la pioggia o in luoghi umidi. Le infiltrazioni d'acqua aumentano il rischio di scariche elettriche.
- ◆ Non utilizzare l'apparecchio con le mani o i piedi umidi, né a piedi scalzi.

Precauzioni d'uso:

- ◆ Prima di ogni utilizzo, svolgere completamente il cavo dell'apparecchio.
- ◆ Non utilizzare l'apparecchio se gli accessori presentano dei difetti. Sostituirli immediatamente.
- ◆ Non utilizzare l'apparecchio senza acqua.
- ◆ Non utilizzare l'apparecchio se il suo dispositivo di accensione/spegnimento non funziona.
- ◆ Fare attenzione ai livelli MASSIMO e MINIMO. (Fig.1).
- ◆ Scollegare l'apparecchio dalla rete elettrica quando non è in uso e prima di effettuare qualsiasi operazione di pulizia, regolazione, ricarica o cambio di accessori.
- ◆ Conservare questo apparecchio fuori dalla portata dei bambini e/o di persone con problemi fisici, mentali o di sensibilità, o con mancanza di esperienza e conoscenza.

- ◆ Non riporre l'apparecchio quando ancora caldo.
- ◆ Usare l'apparecchio, i suoi accessori e gli utensili secondo queste istruzioni, tenendo in considerazione le condizioni di lavoro e il lavoro da svolgere. Utilizzare l'apparecchio per operazioni diverse da quelle previste potrebbe causare una situazione di pericolo.
- ◆ Utilizzare l'apparecchio solo con acqua.
- ◆ Si consiglia l'uso di acqua distillata.
- ◆ Verificare periodicamente il perfetto stato di funzionamento della guarnizione del coperchio.
- ◆ Non lasciare mai l'apparecchio collegato alla rete elettrica e senza controllo. Si otterrà un risparmio energetico e si prolungherà la vita dell'apparecchio stesso.

Servizio:

- ◆ Assicurarsi che il servizio di manutenzione dell'apparecchio sia eseguito da personale specializzato e che, se si dovessero necessitare materiali di consumo/ricambi, questi siano originali.
- ◆ Il produttore invalida la garanzia e declina ogni responsabilità in caso di uso inappropriato dell'apparecchio o non conforme alle istruzioni d'uso.

DESCRIZIONE

- A Testina vapore
- B Pulsante di accensione e spegnimento
- C Impugnatura
- D Pulsante attivazione vapore
- E Cavo
- F Serbatoio dell'acqua (estraibile)
- G Spazzola tessuto (estraibile)
- H Spazzola statica (estraibile)
- I Fori

Se il modello del Suo apparecchio non fosse dotato degli accessori anteriormente elencati, può acquistarli separatamente presso i punti di assistenza tecnica autorizzati.

MODALITÀ D'USO

Prima dell'uso:

- ◆ Rimuovere qualsiasi adesivo o rivestimento di protezione della testina del vaporizzatore.
- ◆ Svolgere e stirare il cavo prima dell'uso.
- ◆ Quando si utilizza il vaporizzatore per abiti la prima volta, lasciarlo emettere vapore per alcuni minuti. Ciò contribuisce ad eliminare le impurità e gli odori, che potrebbero

rimanere in seguito al processo di fabbricazione.

- ◆ Al primo utilizzo del vaporizzatore per abiti è possibile che si desideri testarlo su un pezzo di tela vecchia, prima di usarlo sugli abiti.

MONTAGGIO E FUNZIONAMENTO DEL VAPORIZZATORE PER ABITI

Riempimento del serbatoio

- ◆ 1) Scollegare l'apparecchio ed estrarre il serbatoio, come mostrato nella figura 2 e 3.
- ◆ 2) Riempire il serbatoio senza superare il livello massimo. Poi reinserire il serbatoio nell'apparecchio.
- ◆ Nota: L'apparecchio è stato progettato per funzionare con acqua distillata.
- ◆ 3) Reinserire il serbatoio dell'acqua nell'apparecchio.

Uso

- ◆ Sostenere l'apparecchio con la mano, posizionata in sicurezza sul collo del vaporizzatore per abiti, tenendolo in posizione verticale e utilizzare l'altra mano per sostenere la spazzola sulla testina del vaporizzatore. La spazzola può essere collegata in entrambi i sensi e si blocca nella sua posizione con un "clic" sonoro.
- ◆ Collegare l'apparecchio a una presa di corrente ed accenderlo. Quando si preme il pulsante di accensione, la spia luminosa inizia a lampeggiare e l'apparecchio inizia a riscaldarsi. Quando la luce della spia smette di lampeggiare e rimane fissa indica che il preriscaldamento è terminato e si può iniziare ad usare l'apparecchio. Premendo nuovamente il pulsante di accensione per 3 secondi si spegne. Quando l'apparecchio è spento, anche la spia luminosa si spegne.
- ◆ Quando l'acqua raggiunge il livello massimo e l'apparecchio è collegato a una presa di corrente, lasciare che si preriscaldi prima dell'uso.
- ◆ Questo vaporizzatore per abiti possiede una funzione di spegnimento automatico intelligente. Quando l'utente non utilizza il prodotto per un certo tempo, il circuito interno di controllo interrompe la fornitura di energia per evitare incidenti e risparmiare elettricità.

COME UTILIZZARE IL VAPORIZZATORE PER ABITI

- ◆ Il vaporizzatore per abiti è facile da usare ed è perfetto per eliminare le grinze o le pieghe dei vestiti e delle tende, oltre che per rivitalizzare tutti i tessuti della casa.
- ◆ Si può utilizzare sulla maggior parte dei tessuti, facendo attenzione che il capo sia appeso o che il vaporizzatore possa essere usato facilmente in posizione verticale, con

un movimento ascendente e discendente sul capo.

- ◆ NOTA: il vaporizzatore per abiti è progettato per l'utilizzo in posizione verticale su capi appesi. Non utilizzare il vaporizzatore su capi distesi in posizione orizzontale.
- ◆ 1. Verificare che ci sia ventilazione dietro la tela.
- ◆ 2. Verificare che le tasche del capo siano vuote.
- ◆ 3. Appendere il capo su una gruccia e stirare leggermente il tessuto con una mano.
- ◆ 4. NOTA: si raccomanda di non vaporizzare su accessori di metallo. Agire con precauzione e vaporizzare attorno agli accessori di metallo.
- ◆ 5. Premere il tasto di attivazione del vapore. Durante il processo di vaporizzazione si sentiranno delle vibrazioni e si udirà un leggero ronzio. È completamente normale. Eseguire la vaporizzazione orientando la testina frontalmente e in posizione verticale.
- ◆ 6. Premere dolcemente la spazzola contro il capo, muovendo il braccio verso l'alto e verso il basso sulle pieghe della tela.
- ◆ 7. Premere il pulsante del vaporizzatore per arrestare il vapore.
- ◆ NOTA: per ottenere migliori risultati, assicurarsi di tenere il tessuto teso mentre lo si vaporizza.
- ◆ ⚠ AVVERTIMENTO: il vaporizzatore per abiti produce vapore ad alta temperatura. Non toccare la testina del vaporizzatore e assicurarsi che lo stesso sia orientato frontalmente e in posizione verticale.
- ◆ 8. Quando si utilizza il vaporizzatore per abiti senza spazzola, tenere una distanza di almeno 5 cm tra la testina e il capo.

PER VAPORIZZARE TENDE

- ◆ 1. Lavare ed asciugare le tende, seguendo le raccomandazioni per il tipo di tessuto.
- ◆ 2. Appendere le tende e vaporizzarle quando siano appese nella posizione definitiva.
- ◆ 3. Stirare leggermente la tenda con una mano mentre la si vaporizza, per aiutare ad eliminare le pieghe più facilmente.

VAPORIZZARE LA TAPPEZZERIA DEI MOBILI

- ◆ 1. Il vaporizzatore per abiti può essere utilizzato anche per rivitalizzare tappezzerie, rivestimenti di mobili e cuscini. Prima di vaporizzare, eseguire sempre una prova su una piccola zona di tessuto non visibile.
- ◆ 2. Tenere il vaporizzatore in posizione verticale ed utilizzarlo con movimenti ascendenti e discendenti. Vaporizzare leggermente sul tessuto dei mobili. È raccomandabile sostenere i cuscini in posizione verticale

mentre si vaporizzano. Lasciare asciugare completamente i cuscini, prima di riposizionarli sui mobili.

- ◆ **NOTA:** per proteggere i tessuti delicati, come la seta, è raccomandabile utilizzare il vaporizzatore con la spazzola. Per dei migliori risultati al momento di eliminare le pieghe difficili, rimuovere l'accessorio della spazzola per tessuti dalla testina del vaporizzatore e vaporizzare ininterrottamente sull'area selezionata, finché non spariscono le pieghe.
- ◆ **▲ AVVERTIMENTO:** prima di montare o smontare la spazzola, scollegare sempre il vaporizzatore per abiti.
- ◆ **NOTA:** utilizzare esclusivamente gli accessori in dotazione.
- ◆ **NOTA:** se l'unità diventa rumorosa, il ronzio diventa forte e non genera vapore, controllare il livello dell'acqua del serbatoio.
- ◆ **▲ AVVERTIMENTO:** non utilizzare il vaporizzatore per abiti direttamente sulla pelle di un animale.

UNA VOLTA CONCLUSO L'UTILIZZO DELL'APPARECCHIO

- ◆ Spegnerne l'apparecchio premendo l'interruttore accensione/spegnimento.
- ◆ Scollegare l'apparecchio dalla rete.
- ◆ Aprire l'entrata del serbatoio dell'acqua e (posizionandosi su un lavabo o un secchio) versare il contenuto dello stesso per svuotarlo dall'acqua rimanente.
- ◆ Posizionare il vaporizzatore per abiti sulla sua base, in posizione verticale e lasciar raffreddare.

Funzione pulizia automatica

- ◆ Quando si desidera utilizzare questa funzione, per prima cosa preparare un recipiente per raccogliere l'acqua. Riempire il serbatoio dell'acqua al massimo, collegare l'apparecchio all'alimentazione e tenere premuto il pulsante di accensione per 5 secondi. La spia di accensione lampeggerà rapidamente e l'apparecchio inizierà a pulirsi automaticamente, spruzzando acqua. Se si desidera arrestare la pulizia automatica, tenere premuto il pulsante di accensione per 5 secondi: la spia di accensione si spegnerà.

PULIZIA

- ◆ Scollegare la spina dalla rete elettrica e aspettare che l'apparecchio si raffreddi, prima di eseguirne la pulizia.
- ◆ Pulire il gruppo elettrico con un panno umido, quindi asciugarlo.
- ◆ Per la pulizia non impiegare solventi o prodotti a pH acido o basico come la candeggina, né prodotti abrasivi.

- ◆ Non immergere l'apparecchio in acqua o altri liquidi, né lavarlo con acqua corrente.

ANOMALIE E RIPARAZIONI

- ◆ In caso di guasto, rivolgersi ad un Centro d'Assistenza Tecnica autorizzato. Non tentare di smontare o di riparare l'apparecchio: può essere pericoloso.

Per i prodotti dell'Unione Europea e/o nel caso in cui sia previsto dalla legislazione del Suo paese di origine:

Prodotto ecologico e riciclabile

- ◆ I materiali che costituiscono l'imballaggio di questo apparecchio sono compresi in un sistema di raccolta, classificazione e riciclaggio degli stessi. Per lo smaltimento, utilizzare gli appositi contenitori pubblici, adatti per ogni tipo di materiale.
- ◆ Il prodotto non contiene concentrazioni di sostanze considerate dannose per l'ambiente.



Questo simbolo indica che, per smaltire il prodotto al termine della sua durata utile, occorre depositarlo presso un ente di smaltimento autorizzato alla raccolta differenziata di rifiuti di apparecchiature elettriche ed elettroniche (RAEE).

Questo apparecchio rispetta la Direttiva 2014/35/EU di Bassa Tensione, la Direttiva 2014/30/EU di Compatibilità Elettromagnetica, la Direttiva 2011/65/EU sui limiti d'impiego di determinate sostanze pericolose negli apparecchi elettrici ed elettronici e la Direttiva 2009/125/EC riguardante l'Ecodesign dei prodotti che consumano energia.

GARAZIA E ASSISTENZA TECNICA

- ◆ Questo prodotto possiede il riconoscimento e la protezione della garanzia legale di conformità con la legislazione vigente. Per far valere i suoi diritti o interessi, dovrà rivolgersi a uno qualsiasi dei nostri servizi ufficiali di assistenza tecnica.
- ◆ Può trovare il più vicino cliccando sul seguente link: <http://www.2helpu.com/>.
- ◆ Inoltre, può richiedere informazioni mettendosi in contatto con noi (consultare l'ultima pagina del manuale).
- ◆ Può scaricare questo manuale di istruzioni e i suoi aggiornamenti da <http://www.2helpu.com/>.

Vaporizador de prendas BXGS1600E

Distinguido cliente:

Le agradecemos que se haya decidido por la compra de un producto de la marca BLACK+DECKER.

Su tecnología, diseño y funcionalidad, junto con el hecho de superar las más estrictas normas de calidad le comportarán total satisfacción durante mucho tiempo.

- ◆ Leer atentamente este folleto de instrucciones antes de poner el aparato en marcha y guardarlo para posteriores consultas. La no observación y cumplimiento de estas instrucciones pueden comportar como resultado un accidente.

CONSEJOS Y ADVERTENCIAS DE SEGURIDAD

- ◆ Este aparato pueden utilizarlo niños con edad de 8 años y superior y personas con capacidades físicas, sensoriales o mentales reducidas o falta de experiencia y conocimiento, si se les ha dado la supervisión o formación apropiadas respecto al uso del aparato de una manera segura y comprenden los peligros que implica.
- ◆ La limpieza y el mantenimiento a realizar por el usuario no deben realizarlos los niños sin supervisión.
- ◆ Este aparato no es un juguete. Los niños deben estar bajo vigilancia para asegurar que no jueguen con el aparato.
- ◆ Si el cable de alimentación esta dañado, debe ser substituido por el fabricante, por su servicio postventa o por personal cualificado similar con el fin de evitar un peligro.
- ◆ Desenchufar el aparato de la red antes de rellenar el depósito de agua.
- ◆ Desenchufar el aparato de la red cuando no se use y antes de realizar cualquier operación de limpieza.
- ◆ Tenga cuidado al utilizar el aparato debido a la emisión de vapor.
- ◆ Este aparato está pensado únicamente para un uso doméstico, no para uso profesional o industrial.
- ◆ No dejar el aparato sin vigilancia mientras esté conectado a la red de alimentación eléctrica.
- ◆ No utilizar el aparato si ha caído, si hay señales visibles de daños, o si existe fuga.
- ◆ Mantenga el aparato y su cable fuera del alcance de los niños menores de 8 años cuando esté energizado o se esté enfriando.
- ◆ Antes de conectar el aparato a la red, verificar que el voltaje indicado en la placa de características coincide con el voltaje de red.
- ◆ Conectar el aparato a una base de toma de corriente provista de toma de tierra y que soporte 16 amperios.
- ◆ La clavija del aparato debe coincidir con la base eléctrica de la toma de corriente. Nunca modificar la clavija. No usar adaptadores de clavija.
- ◆ No forzar el cable eléctrico de conexión. Nunca usar el cable eléctrico para levantar, transportar o desenchufar el aparato.
- ◆ No enrollar el cable eléctrico de conexión alrededor del aparato.
- ◆ No dejar que el cable eléctrico de conexión quede

atrapado o arrugado.

- ◆ Verificar el estado del cable eléctrico de conexión. Los cables dañados o enredados aumentan el riesgo de choque eléctrico.
- ◆ No tocar la clavija de conexión con las manos mojadas.
- ◆ No utilizar el aparato con el cable eléctrico o la clavija dañada.
- ◆ Si alguna de las envolventes del aparato se rompe, desconectar inmediatamente el aparato de la red para evitar la posibilidad de sufrir un choque eléctrico.
- ◆ No utilizar el aparato si ha caído, si hay señales visibles de daños, o si existe fuga.
- ◆ Verificar que la superficie a limpiar puede ser tratada con vapor.
- ◆ El aparato debe utilizarse y colocarse sobre una superficie plana y estable.
- ◆ Cuando se coloque el aparato sobre su soporte, asegurarse que la superficie sobre la que se coloca el soporte es estable.
- ◆ No colocar objetos encima del aparato que puedan impedir el buen funcionamiento de la/s válvula/s de seguridad del aparato.
- ◆ No usar el aparato asociado a un programador, temporizador u otro dispositivo que conecte el aparato automáticamente.
- ◆ No utilizar ni guardar el aparato a la intemperie.
- ◆ No exponer el aparato a la lluvia o condiciones de humedad. El agua que entre en el aparato aumentará el riesgo de choque eléctrico.
- ◆ No utilizar el aparato con las manos o los pies húmedos, ni con los pies descalzos.

Utilización y cuidados:

- ◆ Antes de cada uso, extender completamente el cable de alimentación del aparato.
- ◆ No usar el aparato si los accesorios o consumibles acoplados a él presentan defectos. Proceda a sustituirlos inmediatamente.
- ◆ No poner el aparato en marcha sin agua.
- ◆ No usar el aparato si su dispositivo de puesta en marcha/paro no funciona.
- ◆ Respetar los niveles MAX y MIN. (Fig. 1).
- ◆ Desenchufar el aparato de la red cuando no se use y antes de realizar cualquier operación de limpieza, ajuste, carga o cambio de accesorios.
- ◆ Guardar este aparato fuera del alcance de los niños y/o personas con capacidades físicas, sensoriales o mentales reducidas o falta de experiencia y conocimiento.
- ◆ No guardar el aparato si todavía está caliente.

- ◆ Usar este aparato, sus accesorios y herramientas de acuerdo con estas instrucciones, teniendo en cuenta las condiciones de trabajo y el trabajo a realizar. Usar el aparato para operaciones diferentes a las previstas podría causar una situación de peligro.
- ◆ Utilizar el aparato solamente con agua.
- ◆ Se recomienda el uso de agua destilada.
- ◆ Comprobar periódicamente el perfecto estado de uso de la junta de estanqueidad de la tapa.
- ◆ No dejar nunca el aparato conectado y sin vigilancia. Además ahorrará energía y prolongará la vida del aparato.

Servicio:

- ◆ Cerciorarse que el servicio de mantenimiento del aparato sea realizado por personal especializado, y que caso de precisar consumibles/recambios, éstos sean originales.
- ◆ Toda utilización inadecuada, o en desacuerdo con las instrucciones de uso, puede comportar peligro, anulando la garantía y la responsabilidad del fabricante.

DESCRIPCIÓN

- A Cabezal de vapor
- B Botón de encendido/apagado
- C Asa
- D Botón activación de vapor
- E Cable
- F Depósito de agua (Extraíble)
- G Cepillo para ropa delicada (Extraíble)
- H Cepillo para ropa (Extraíble)
- I Orificios

Caso de que su modelo de aparato no disponga de los accesorios descritos anteriormente, éstos también pueden adquirirse por separado en los Servicios de Asistencia Técnica.

MODO DE EMPLEO

Notas previas al uso:

- ◆ Retire cualquier pegatina o cubierta protectora del cabezal del vaporizador.
- ◆ Desenrolle y estire el cable antes de su uso.
- ◆ Al utilizar el vaporizador de prendas por primera vez, deje que suelte vapor durante unos minutos. Esto contribuye a eliminar las impurezas y olores, que podrían permanecer debido al proceso de fabricación.

- ◆ Al utilizar el vaporizador de prendas por primera vez, es posible que desee probar el vaporizador en un viejo pedazo de tela, antes de utilizarlo con su ropa.

MONTAJE Y FUNCIONAMIENTO DE SU VAPORIZADOR DE PRENDAS

Llenar el depósito

- ◆ 1) Con el aparato desenchufado extraer el depósito tal y como se muestra en la figura 2 y 3.
- ◆ 2) Llena el depósito sin exceder el nivel máximo. A continuación, ensamble el depósito en el aparato.
- ◆ Nota: El aparato ha sido diseñado para funcionar con agua destilada.
- ◆ 3) Ensamblar de nuevo el depósito de agua en el aparato.

Uso

- ◆ Sostenga el aparato con la mano colocada de manera segura en el cuello del vaporizador de prendas, manteniéndolo en una posición vertical, y utilice la otra mano para sujetar el cepillo sobre el cabezal del vaporizador. El cepillo se puede conectar en ambos sentidos y se bloqueará en su posición con un "clic" audible.
- ◆ Conecte el aparato a una toma de corriente y enciéndalo. Al pulsar el botón de encendido, el piloto de encendido se pondrá a parpadear y el aparato comenzará a calentarse. Cuando la luz del piloto deje de parpadear para quedarse fija, significa que ha finalizado el precalentamiento y que puede empezar a usarlo. Al pulsar el botón de encendido de nuevo durante 3 segundos, se apaga el vaporizador. Cuando el aparato está apagado, el piloto indicador se apagará.
- ◆ Una vez que el agua ha alcanzado el nivel máximo y el aparato está conectado a la toma de corriente, deje que el vaporizador se precaliente antes de su uso.
- ◆ Este vaporizador de prendas tiene una función de apagado automático inteligente. Cuando el usuario deja de utilizar este producto durante un cierto tiempo, el producto del circuito de control interno cortará el suministro de energía para prevenir accidentes y para ahorrar electricidad.

CÓMO USAR SU VAPORIZADOR DE PRENDAS

- ◆ El vaporizador de prendas es fácil de usar y es perfecto para la eliminación de arrugas o pliegues de la ropa y las cortinas, así como para revitalizar los textiles del hogar.
- ◆ Se puede utilizar en la mayoría de los tejidos, siempre y cuando la prenda esté colgada o donde el vaporizador

pueda ser utilizado fácilmente en una posición vertical, moviéndolo sobre la prenda en un movimiento ascendente y descendente.

- ◆ NOTA: el vaporizador de prendas está diseñado para ser utilizado en una posición vertical sobre prendas colgadas. Absténgase de utilizar el vaporizador en prendas colocadas en una posición horizontal.
- ◆ 1. Compruebe que haya ventilación detrás de la tela.
- ◆ 2. Compruebe que los bolsillos de la prenda estén vacíos.
- ◆ 3. Cuelgue la prenda de una percha y estire ligeramente la tela con una mano.
- ◆ 4. NOTA: se recomienda no vaporizar sobre accesorios de metal. Actúe con cuidado y vaporice en torno a los accesorios de metal.
- ◆ 5. Presione el botón de activación de vapor. Durante la operación de vaporizado, sentirá vibraciones y oirá un zumbido sutil. Esto es normal. Realice el vaporizado con el cabezal dirigido hacia el frente y en posición vertical.
- ◆ 6. Presione suavemente el cepillo contra la prenda, moviendo el brazo en un movimiento ascendente y descendente sobre las arrugas de la tela.
- ◆ 7. Presione el botón del vaporizador para detener el vapor.
- ◆ NOTA: para obtener mejores resultados, asegúrese de que estira el tejido mientras lo vaporiza.
- ◆ ⚠ ADVERTENCIA: el vaporizador de prendas genera altas temperaturas del vapor. No toque el cabezal de vaporizador y asegúrese de que el vaporizador está dirigido hacia el frente y en posición vertical.
- ◆ 8. Cuando utilice el vaporizador de prendas sin el cepillo, mantenga una distancia de, como mínimo, 5 cm entre el cabezal del vaporizador y la prenda.

PARA VAPORIZAR CORTINAS

- ◆ 1. Lave y seque las cortinas según lo recomendado para el tipo de tejido.
- ◆ 2. Cuelgue las cortinas y vaporícelas cuando estén colgadas en su lugar.
- ◆ 3. Estire ligeramente la cortina con una mano, mientras vaporiza, para ayudar a eliminar las arrugas más fácilmente.

VAPORIZAR MUEBLES TAPIZADOS

- ◆ 1. El vaporizador de prendas también se puede utilizar para revitalizar tapicerías, las fundas de muebles y los cojines en los muebles y en la habitación. Antes de vaporizar, siempre hay que probar en una pequeña zona del tejido que no sea visible.
- ◆ 2. Mantener el vaporizador en posición vertical y

utilizarlo con movimientos ascendentes y descendentes. Vaporizar ligeramente sobre la tela de sus muebles. Es recomendable sostener los cojines y mantenerlos en posición vertical mientras se vaporizan. Deje que los cojines se sequen completamente antes de volver a colocarlos en los muebles.

- ◆ **NOTA:** con el fin de proteger las telas delicadas, como la seda, es recomendable utilizar el vaporizador con el cepillo. Para un mejor resultado al eliminar las arrugas rebeldes, retire el accesorio de cepillo de tela del cabezal del vaporizador y vaporice continuamente sobre el área seleccionada, hasta que se eliminen las arrugas.
- ◆ **▲ ADVERTENCIA:** antes de montar o desmontar el cepillo, desconecte siempre el vaporizador de prendas.
- ◆ **NOTA:** utilice únicamente los accesorios suministrados.
- ◆ **NOTA:** si la unidad se vuelve ruidosa, emitiendo un zumbido fuerte y no genera vapor, compruebe el nivel de agua del depósito de agua.
- ◆ **▲ ADVERTENCIA:** no utilice el vaporizador de prendas directamente sobre la piel de un animal.

UNA VEZ FINALIZADO EL USO DEL APARATO

- ◆ Parar el aparato, accionando el interruptor marcha/paro.
- ◆ Desenchufar el aparato de la red eléctrica.
- ◆ Abra la entrada del depósito de agua y (sobre un fregadero o un cubo) vierta el depósito de agua para vaciar el agua restante del mismo.
- ◆ Colocar el vaporizador de prendas en su base, en posición vertical, y dejar enfriar.

Self-cleaning function

- ◆ Cuando desee utilizar esta función, primero debe preparar un recipiente para recolectar el agua. Llene el depósito de agua al máximo, enchufe el aparato, mantenga presionado el botón de encendido durante 5 segundos. La luz de encendido parpadeará rápidamente y el aparato comenzará a autolimpiarse y rociará agua. Si desea detener la autolimpieza, mantenga presionado el botón de encendido 5 segundos, y la luz de encendido se apagará.

LIMPIEZA

- ◆ Desenchufar el aparato de la red y dejarlo enfriar antes de iniciar cualquier operación de limpieza.
- ◆ Limpiar el aparato con un paño húmedo impregnado con unas gotas de detergente y secarlo después.
- ◆ No utilizar disolventes, ni productos con un factor pH ácido o básico como la lejía, ni productos abrasivos, para la limpieza del aparato.

- ◆ No sumergir el aparato en agua u otro líquido, ni ponerlo bajo el grifo.

ANOMALÍAS Y REPARACIÓN

- ◆ En caso de avería llevar el aparato a un Servicio de Asistencia Técnica autorizado. No intente desmontarlo o repararlo ya que puede existir peligro.

Para las versiones EU del producto y/o en el caso de que en su país aplique:

Ecología y reciclabilidad del producto

- ◆ Los materiales que constituyen el envase de este aparato, están integrados en un sistema de recogida, clasificación y reciclado de los mismos. Si desea deshacerse de ellos, puede utilizar los contenedores públicos apropiados para cada tipo de material.
- ◆ El producto está exento de concentraciones de sustancias que se puedan considerar dañinas para el medio ambiente.



Este símbolo significa que si desea deshacerse del producto, una vez transcurrida la vida del mismo, debe depositarlo por los medios adecuados a manos de un gestor de residuos autorizado para la recogida selectiva de Residuos de Aparatos Eléctricos y Electrónicos (RAEE).

Este aparato cumple con la Directiva 2014/35/EU de Baja Tensión, con la Directiva 2014/30/EU de Compatibilidad Electromagnética, con la Directiva 2011/65/EU sobre restricciones a la utilización de determinadas sustancias peligrosas en aparatos eléctricos y electrónicos y con la Directiva 2009/125/EC sobre los requisitos de diseño ecológico aplicable a los productos relacionados con la energía.

GARANTÍA Y ASISTENCIA TÉCNICA

Este producto goza del reconocimiento y protección de la garantía legal de acuerdo con la legislación vigente. Para hacer valer sus derechos o intereses, debe acudir a cualquiera de nuestros servicios oficiales de asistencia técnica.

Puede encontrar el más cercano accediendo al siguiente enlace web: <http://www.2helpu.com/>

También puede solicitar información relacionada poniéndose en contacto con nosotros (consulte la última página del manual).

Puede descargar este manual de instrucciones y sus actualizaciones en <http://www.2helpu.com/>

Vaporizador de roupa BXGS1600E

Caro cliente:

Obrigado por ter adquirido um produto da marca BLACK+DECKER.

A sua tecnologia, design e funcionalidade, aliados às mais rigorosas normas de qualidade, garantir-lhe-ão uma total satisfação durante muito tempo.

- ◆ Leia atentamente este manual de instruções antes de ligar o aparelho e guarde-o para consultas futuras. A não observância e cumprimento destas instruções pode resultar em acidente.

CONSELHOS E ADVERTÊNCIAS DE SEGURANÇA

- ◆ Este aparelho pode ser utilizado por pessoas não familiarizadas com a sua utilização, pessoas incapacitadas ou crianças a partir dos 8 anos, desde que o façam sob supervisão ou tenham recebido formação sobre a utilização segura do aparelho e compreendam os perigos que este acarreta.
- ◆ As crianças não devem realizar operações de limpeza ou manutenção do aparelho, a menos que se encontrem sob a supervisão de um adulto.
- ◆ Este aparelho não é um brinquedo. As crianças devem ser vigiadas para garantir que não brincam com o aparelho.
- ◆ Se o cabo de alimentação estiver danificado, deve ser substituído pelo fabricante, pelo serviço pós-venda ou por pessoal semelhante qualificado com o fim de evitar riscos.
- ◆ Desligue o aparelho da corrente antes de encher o depósito de água.
- ◆ Desligue o aparelho da corrente quando não estiver a ser utilizado e antes de iniciar qualquer operação de limpeza.
- ◆ Tenha cuidado ao utilizar o aparelho devido à emissão de vapor.
- ◆ Este aparelho foi concebido exclusivamente para uso doméstico, não para uso profissional ou industrial.
- ◆ Não deixe o aparelho sem vigilância quando estiver ligado à alimentação.
- ◆ Não utilize o aparelho se este caiu e se existirem sinais visíveis de danos ou de fuga.
- ◆ Mantenha o aparelho e o seu cabo elétrico fora do alcance das crianças com menos de 8 anos de idade quando este estiver ligado ou a arrefecer.
- ◆ Antes de ligar o aparelho à corrente, verifique se a tensão indicada na placa de características corresponde à tensão da rede.
- ◆ Ligue o aparelho a uma tomada de corrente com ligação à terra e que suporte 16 amperes.
- ◆ A ficha do aparelho deve coincidir com a tomada de corrente elétrica. Nunca modifique a ficha. Não utilize adaptadores de ficha.
- ◆ Não force o cabo elétrico. Nunca utilize o cabo de alimentação para levantar, transportar ou desligar o aparelho da corrente.
- ◆ Não enrole o cabo no aparelho.
- ◆ Não deixe que o cabo elétrico fique preso ou dobrado.

- ◆ Verifique o estado do cabo de elétrico. Os cabos danificados ou entrelaçados aumentam o risco de choque elétrico.
- ◆ Não toque na ficha de ligação com as mãos molhadas.
- ◆ Não utilize o aparelho se tiver o cabo elétrico ou a ficha danificados.
- ◆ Se algum dos revestimentos do aparelho se partir, desligue imediatamente o aparelho da corrente para evitar a possibilidade de sofrer um choque elétrico.
- ◆ Não utilize o aparelho se este caiu e se existirem sinais visíveis de danos ou de fuga.
- ◆ Verifique se a superfície a limpar pode ser tratada com vapor.
- ◆ O aparelho deve ser utilizado e colocado sobre uma superfície plana e estável.
- ◆ Quando colocar o aparelho no suporte, certifique-se de que a superfície sobre a qual se coloca o suporte é estável.
- ◆ Não colocar objectos em cima do aparelho que possam impedir o bom funcionamento da(s) válvula(s) de segurança do aparelho.
- ◆ Não utilize o aparelho associado a um programador, temporizador ou outro dispositivo que ligue automaticamente.
- ◆ Não utilize nem guarde o aparelho ao ar livre.
- ◆ Não exponha o aparelho à chuva ou a condições de humidade. A água que entrar no aparelho aumentará o risco de choque elétrico.
- ◆ Não utilize o aparelho com as mãos ou com os pés húmidos, nem com os pés descalços.

Utilização e cuidados:

- ◆ Antes de cada utilização, desenrole completamente o cabo de alimentação do aparelho.
- ◆ Não utilize o aparelho se os acessórios ou consumíveis acoplados ao mesmo apresentarem defeitos. Substitua-os imediatamente.
- ◆ Não coloque o aparelho em funcionamento sem água.
- ◆ Não utilize o aparelho se o dispositivo de ligar/desligar não funcionar.
- ◆ Respeite os níveis de MÁXIMO e MÍNIMO. (Fig.1).
- ◆ Desligue o aparelho da corrente elétrica quando não estiver a utilizá-lo e antes de realizar qualquer operação de limpeza, ajuste, carregamento ou troca de acessórios.
- ◆ Este aparelho não está destinado a pessoas (incluindo crianças) que apresentem capacidades físicas, sensoriais ou mentais reduzidas, ou que tenham falta de experiência e conhecimento
- ◆ Não guarde o aparelho se ainda estiver quente.

- ◆ Utilize este aparelho e respetivos acessórios e ferramentas de acordo com estas instruções, tendo em conta as condições de trabalho e o trabalho a realizar. A utilização do aparelho para operações diferentes das previstas pode originar situações de perigo.
- ◆ Utilize o aparelho apenas com água.
- ◆ Recomenda-se o uso de água destilada.
- ◆ Comprove o periodicamente o perfeito estado de utilização da junta estanque da tampa.
- ◆ Nunca deixe o aparelho ligado e sem vigilância. Além disso, poupará energia e prolongará a vida do aparelho.

Assistência técnica:

- ◆ Certifique-se de que o serviço de manutenção do aparelho é realizado por pessoal especializado e que, caso o aparelho necessite de consumíveis/peças de substituição, estas sejam de origem.
- ◆ Qualquer utilização inadequada ou em desacordo com as instruções de utilização pode ser perigosa e anula a garantia e a responsabilidade do fabricante.

DESCRIÇÃO

- A Cabeça de vapor
- B Botão de ligar e desligar
- C Pega
- D Botão de ativação do vapor.
- E Cabo
- F Depósito de água (amovível)
- G Escova Fabric brush (amovível)
- H Escova Static brush (amovível)
- I Orifícios

Caso o modelo do seu aparelho não disponha dos acessórios descritos anteriormente, pode adquiri-los separadamente nos Serviços de Assistência Técnica.

MODO DE UTILIZAÇÃO

Notas para antes da utilização:

- ◆ Retire eventuais autocolantes ou a tampa protetora da cabeça do vaporizador.
- ◆ Desenrole e estique o cabo antes de utilizar.
- ◆ Ao utilizar o vaporizador de roupa pela primeira vez, deixe que liberte vapor por alguns minutos. Esta ação permite eliminar impurezas e odores que poderiam permanecer devido ao processo de fabrico.

- ♦ Ao utilizar o vaporizador de roupa pela primeira vez, recomenda-se testá-lo num pedaço de tecido antigo, antes de o utilizar na sua roupa.

MONTAGEM E FUNCIONAMENTO DO VAPORIZADOR DE ROUPA

Encha o depósito

- ♦ 1) Com o aparelho desligado da corrente, retire o depósito tal como se demonstra nas figuras 2 e 3.
- ♦ 2) Encha o depósito sem exceder o nível máximo. Em seguida, torne a montar o depósito no aparelho.
- ♦ Nota: Este aparelho foi projetado para funcionar com água destilada.
- ♦ 3) Monte novamente o depósito de água no aparelho.

Utilização

- ♦ Com uma mão, segure a pega do vaporizador de roupa, mantendo o aparelho na posição vertical e utilize a outra mão para fixar a escova à cabeça do vaporizador. A escova pode ser fixada de ambos os sentidos e bloqueia-se no lugar com um estalido.
- ♦ Ligue o aparelho a uma tomada elétrica e acenda-o. Ao premir o botão de ligar, o indicador de ligado fica intermitente e o aparelho começa a aquecer. Quando a luz do indicador ficar fixa, a fase de preaquecimento do aparelho foi concluída e poderá começar a utilizá-lo. Ao premir novamente o botão de ligar por 3 segundos, desliga-se o vaporizador. Quando o aparelho está desligado, o indicador desliga-se.
- ♦ Quando a água atingir o nível máximo e com o aparelho ligado à corrente elétrica, aguarde que o vaporizador preaqueça antes de o utilizar.
- ♦ Este vaporizador de roupa tem uma função de desativação automática inteligente. Quando o utilizador deixa de utilizar o produto por um certo período de tempo, o dispositivo do circuito de controlo interno corta o fornecimento de energia para prevenir acidentes e poupar energia elétrica.

COMO UTILIZAR O VAPORIZADOR DE ROUPA

- ♦ O vaporizador de roupa é fácil de usar e é perfeito para eliminar vincos e pregas em peças de roupa e cortinados, assim como para revitalizar os têxteis do seu lar.
- ♦ Pode ser utilizado na maioria dos tecidos, sempre que a peça esteja pendurada ou quando o vaporizador possa ser utilizado facilmente na posição vertical, movimentan-

do-o sobre a peça de forma ascendente e descendente.

- ♦ NOTA: o vaporizador de roupa foi concebido para ser utilizado na posição vertical sobre peças de roupa penduradas. Não utilize o vaporizador em peças que estejam numa posição horizontal.
- ♦ 1. Verifique se existe ventilação atrás do tecido.
- ♦ 2. Verifique se os bolsos da peça estão vazios
- ♦ 3. Pendure a peça num cabide e estique ligeiramente o tecido com uma mão.
- ♦ 4. NOTA: recomenda-se não vaporizar sobre peças de metal. Utilize o aparelho com cuidado e vaporize à volta de peças de metal.
- ♦ 5. Prima o botão de ativação do vapor. Durante a operação de vapor, sentirá vibrações e ouvirá um zumbido subtil. Isto é normal. Realize a vaporização com a cabeça dirigida para a frente e na posição vertical.
- ♦ 6. Prima suavemente a escova contra a peça, movendo o braço num movimento ascendente e descendente sobre as rugas do tecido.
- ♦ 7. Prima o botão do vaporizador para deter o vapor.
- ♦ NOTA: para obter melhores resultados, certifique-se de que estica o tecido enquanto o vaporiza.
- ♦ ⚠ ADVERTÊNCIA: o vaporizador de roupa gera temperaturas de vapor elevadas. Não toque na cabeça do vaporizador e certifique-se de que o vaporizador está virado para a frente e na posição vertical.
- ♦ 8. Ao utilizar o vaporizador de roupa sem a escova, mantenha uma distância mínima de 5 cm entre a cabeça do vaporizador e a peça.

VAPORIZAR CORTINADOS

- ♦ 1. Lave e seque os cortinados de acordo com as recomendações para o tipo de tecido.
- ♦ 2. Vaporize os cortinados quando estiverem pendurados no seu lugar.
- ♦ 3. Estique ligeiramente o cortinado com uma mão enquanto vaporiza, para ajudar a eliminar mais facilmente os vincos.

VAPORIZAR MOBILIÁRIO FORRADO

- ♦ 1. O vaporizador de roupa também pode ser utilizado para revitalizar tapeçarias, resguardos de sofás e almofadas de sofás e camas. Antes de vaporizar, realize um teste numa pequena zona do tecido que não seja visível.
- ♦ 2. Mantenha o vaporizador na posição vertical e utilize-o com movimentos ascendentes e descendentes. Vaporize ligeiramente sobre o tecido. Recomenda-se segurar as almofadas e mantê-las na posição vertical enquanto se vaporiza. Aguarde que as almofadas sequem completamente antes de voltar a colocá-las na mobília

- ◆ NOTA: para proteger tecidos delicados, como a seda, recomenda-se utilizar o vaporizador com a escova. Para um melhor resultado ao eliminar os vincos mais persistentes, retire o acessório da escova de tecido da cabeça do vaporizador e vaporize continuamente sobre a área selecionada, até eliminar os vincos.
- ◆ ▲ ADVERTÊNCIA: antes de montar ou desmontar a escova, desligue o vaporizador de roupa.
- ◆ NOTA: utilize apenas os acessórios fornecidos.
- ◆ NOTA: se a unidade emitir muito ruído, um zumbido forte ou não gerar vapor, verifique o nível de água do depósito de água.
- ◆ ▲ ADVERTÊNCIA: não utilize o vaporizador de roupa diretamente sobre a pele de um animal.

UMA VEZ CONCLUÍDA A UTILIZAÇÃO DO APARELHO

- ◆ Pare o aparelho, acionando o botão de ligar/desligar.
- ◆ Desligue o aparelho da corrente elétrica.
- ◆ Abra a entrada do depósito de água e (sobre o lava-loiças ou um balde) verta o depósito de água para esvaziar a água restante.
- ◆ Coloque o vaporizador de roupa na sua base, na posição vertical, e deixe arrefecer.

Função de autolimpeza

- ◆ Quando desejar utilizar esta função, deve primeiro preparar um recipiente para recolher a água. Encha o depósito de água ao máximo, ligue o aparelho e mantenha premido o botão de ligar durante 5 segundos. A luz de ligado fica a piscar rapidamente e o aparelho iniciará a autolimpeza e verterá água. Se desejar parar a autolimpeza, mantenha premido o botão de ligado durante 5 segundos, e a luz de ligado apaga-se.

LIMPEZA

- ◆ Desligue o aparelho da corrente elétrica e deixe-o arrefecer antes de iniciar qualquer operação de limpeza.
- ◆ Limpe o aparelho com um pano húmido com algumas gotas de detergente e seque-o de seguida.
- ◆ Não utilize solventes, produtos com um fator pH ácido ou básico como a lixívia, nem produtos abrasivos para a limpeza do aparelho.
- ◆ Nunca mergulhe o aparelho dentro de água ou em qualquer outro líquido, nem o coloque debaixo da torneira.

ANOMALIAS E REPARAÇÃO

- ◆ Em caso de avaria leve o aparelho a um Serviço de Assistência Técnica autorizado. Não tente desmontar ou reparar o aparelho, já que tal acarreta perigos.

Para as versões EU do produto e/ou caso aplicável no seu país:

Ecologia e reciclagem e do produto

- ◆ Os materiais que constituem a embalagem deste aparelho estão integrados num sistema de recolha, classificação e reciclagem. Se desejar eliminá-los, utilize os contentores de reciclagem colocados à disposição para cada tipo de material.
- ◆ O produto está isento de concentrações de substâncias que possam ser consideradas nocivas para o ambiente.



Este símbolo significa que se desejar desfazer-se do produto depois de terminada a sua vida útil, deve entregá-lo através dos meios adequados ao cuidado de um gestor de resíduos autorizado para a recolha seletiva de

Resíduos de Equipamentos Elétricos e Eletrónicos (REEE).

Este aparelho cumpre a Diretiva 2014/35/EU de Baixa Tensão, a Diretiva 2014/30/EU de Compatibilidade Eletromagnética, a Diretiva 2011/65/EU sobre restrições à utilização de determinadas substâncias perigosas em aparelhos elétricos e eletrónicos e a Diretiva 2009/125/EC sobre os requisitos de design ecológico aplicável aos produtos relacionados com a energia.

GARANTIA E ASSISTÊNCIA TÉCNICA

Este produto goza do reconhecimento e proteção da garantia legal em conformidade com a legislação em vigor. Para fazer valer os seus direitos ou interesses, deve recorrer sempre aos nossos serviços oficiais de assistência técnica.

Poderá encontrar o mais próximo de si através do seguinte website: <http://www.2helpu.com/>.

Também pode solicitar informações relacionadas, pondo-se em contacto connosco (consulte a última página do manual).

Pode fazer o download deste manual de instruções e suas atualizações em <http://www.2helpu.com/>.

Kledingstomer BXGS1600E

Geachte klant:

We danken u voor de aankoop van een product van het merkBLACK+DECKER.

De technologie, het ontwerp en de functionaliteit van dit product, dat voldoet aan de meest strikte kwaliteitseisen, staan garant voor langdurige tevredenheid.

- ◆ Neem deze gebruiksaanwijzing aandachtig door voordat u het apparaat in gebruik neemt en bewaar haar voor toekomstig gebruik. Het niet opvolgen en naleven van deze instructies kan een ongeluk tot gevolg hebben.

VEILIGHEIDSADVIEZEN EN WAARSCHUWINGEN

- ◆ Dit apparaat mag, onder toezicht, door personen met lichamelijke, zintuiglijke of geestelijke beperkingen, of met een gebrek aan ervaring en kennis, of kinderen vanaf 8 jaar gebruikt worden, mits zij voldoende informatie ontvangen hebben om het apparaat op een veilige manier te kunnen gebruiken en de gevaren kennen.
- ◆ Door de gebruiker te verrichten reiniging en onderhoud mag alleen door kinderen uitgevoerd worden als ze daarbij onder toezicht staan.
- ◆ Dit apparaat is geen speelgoed. Houd toezicht op kinderen om er zeker van te zijn dat ze niet met het apparaat spelen.
- ◆ Als de voedingskabel beschadigd is, moet hij door de fabrikant, zijn klantenservice of gekwalificeerd personeel vervangen worden, om eventuele risico's te voorkomen.
- ◆ Haal de stekker uit het stopcontact alvorens het waterreservoir te vullen.
- ◆ Haal de stekker uit het stopcontact wanneer het apparaat niet in gebruik is en voordat u het reinigt.
- ◆ Wees voorzichtig bij gebruik van het apparaat vanwege de stoomproductie.
- ◆ Dit apparaat is alleen bedoeld voor huishoudelijk gebruik, niet voor professioneel of industrieel gebruik.
- ◆ Laat het apparaat nooit zonder toezicht wanneer het op het lichtnet is aangesloten.
- ◆ Het apparaat niet gebruiken wanneer het gevallen is, wanneer er zichtbare schade is, of indien het lek is.
- ◆ Houd het strijkijzer en het snoer buiten het bereik van kinderen die jonger dan 8 jaar zijn wanneer het apparaat is ingeschakeld of aan het afkoelen is.
- ◆ Controleer dat de spanningsgegevens op het typeplaatje overeenkomen met die van het lichtnet alvorens het apparaat erop aan te sluiten.
- ◆ Het apparaat aansluiten op een stopcontact dat minimaal 16 ampère aankan.
- ◆ De stekker van het apparaat moet geschikt zijn voor het stopcontact. Wijzig de stekker niet. Gebruik geen adapters.
- ◆ Forceer de elektriciteitskabel niet. Gebruik de kabel nooit om het apparaat op te tillen, te transporteren of om de

stekker uit het stopcontact te trekken.

- ◆ Wikkel de elektriciteitskabel niet om het apparaat.
- ◆ Zorg ervoor dat de elektriciteitskabel niet bekneld raakt of geknikt wordt.
- ◆ Controleer de staat van de elektriciteitskabel. Beschadigde kabels of kabels die in de war zijn vergroten het risico van elektrische schokken.
- ◆ Raak de stekker niet met natte handen aan.
- ◆ Gebruik het apparaat niet wanneer de elektriciteitskabel of de stekker beschadigd is.
- ◆ Als een deel van de behuizing beschadigd wordt, moet u de stekker van het apparaat onmiddellijk uit het stopcontact trekken om een elektrische schok te voorkomen.
- ◆ Gebruik het apparaat niet als het is gevallen, wanneer er zichtbare tekenen van schade zijn of wanneer het lekt.
- ◆ Controleer dat het te reinigen oppervlak met stoom behandeld kan worden.
- ◆ Plaats het apparaat voor gebruik op een vlak en stabiel oppervlak.
- ◆ Zorg dat het onderstel op een stabiel oppervlak staat wanneer men het apparaat erop plaatst.
- ◆ Plaats geen voorwerpen op het apparaat die de correcte werking van het (de) veiligheidsventiel(en) kunnen belemmeren.
- ◆ Sluit het apparaat nooit aan op een programmeur, timer of een ander mechanisme dat het apparaat automatisch kan inschakelen.
- ◆ Bewaar of gebruik het apparaat niet buitenshuis.
- ◆ Stel het apparaat niet aan regen of vochtigheid bloot. Water dat in het apparaat komt vergroot het risico van een elektrische schok.
- ◆ Gebruik het apparaat niet met vochtige handen of voeten, noch blootsvoets.

Gebruik en onderhoud:

- ◆ Rol voor gebruik de voedingskabel van het apparaat volledig af.
- ◆ Gebruik het apparaat niet als de aangesloten accessoires of onderdelen storingen vertonen. Vervang ze onmiddellijk.
- ◆ Zet het apparaat niet aan zonder water.
- ◆ Gebruik het apparaat niet als de aan/uit knop niet werkt.
- ◆ Respecteer het MAXIMUM- en MINIMUM-niveau. (Fig. 1)
- ◆ Haal de stekker van het apparaat uit het stopcontact wanneer het niet in gebruik is en voordat u begint met het schoonmaken, instellen, plaatsen of verwisselen van accessoires.
- ◆ Houd dit apparaat buiten bereik van kinderen en/of

personen met lichamelijke, zintuiglijke of geestelijke beperkingen, of met een gebrek aan ervaring en kennis.

- ◆ Berg het apparaat niet op als het nog warm is.
- ◆ Volg deze aanwijzingen altijd nauwgezet op bij gebruik van het apparaat en zijn accessoires en hulpmiddelen. Houd altijd rekening met de omstandigheden en de uit te voeren werkzaamheden. Het gebruik van het apparaat voor andere dan de voorziene doeleinden kan gevaarlijk zijn.
- ◆ Gebruik het apparaat uitsluitend met water.
- ◆ Het gebruik van gedistilleerd water wordt aanbevolen.
- ◆ Controleer regelmatig of waterdichte afdichting van de dop in goede conditie verkeert.
- ◆ Laat het apparaat nooit zonder toezicht aan staan. U bespaart hierdoor energie en verlengt tevens de levensduur van het apparaat.

Reparaties:

- ◆ Verzekeer u ervan dat het onderhoud van het apparaat door een deskundige wordt uitgevoerd en dat de eventuele te vervangen onderdelen origineel zijn.
- ◆ Onjuist gebruik of een gebruik dat niet overeenstemt met de gebruiksaanwijzing kan gevaar inhouden en doet de garantie en de aansprakelijkheid van de fabrikant teniet.

Beschrijving

- A Stoomkop
- B Aan-/uitschakelaar
- C Handgrepen
- D Stoomknop
- E Netsnoer
- F Waterreservoir (uitneembaar)
- G Kledingborstel (uitneembaar)
- H Statische borstel (uitneembaar)
- I Openingen

Mocht het model van uw apparaat niet beschikken over de hiervoor beschreven hulpstukken, dan kunt u deze ook apart verkrijgen bij de Technische Service.

Gebruiksaanwijzing

Opmerkingen voorafgaand aan het gebruik:

- ◆ Verwijder eventuele stickers en de beschermende hoes van de stoomkop.
- ◆ Wikkel de kabel voor gebruik af en strek hem uit.
- ◆ Laat de kledingstomer bij het eerste gebruik gedurende

enige minuten stoom produceren. Hierdoor worden verontreinigen en de ongewenste geur ten gevolge van het fabricatieproces verwijderd.

- ◆ Het verdient aanbeveling de kledingstomer bij het eerste gebruik uit te proberen op een oude lap voordat u uw kleding gaat stomen.

MONTAGE EN WERKING VAN UW KLEDINGSTOMER

Het waterreservoir vullen

- ◆ 1) Verwijder het reservoir terwijl het apparaat niet aangesloten is op het lichtnet, zoals getoond in figuren 2 en 3.
- ◆ 2) Vul het reservoir zonder het maximumniveau te overschrijden. Plaats het reservoir vervolgens weer in het apparaat.
- ◆ Opmerking: Het apparaat is ontworpen om te functioneren met gedestilleerd water.
- ◆ 3) Plaats het waterreservoir weer in het apparaat.

Gebruik

- ◆ Pak het apparaat stevig beet met een hand op de hals van de kledingstomer en houd het verticaal. Gebruik de andere hand om de borstel op de stoomkop te plaatsen. De borstel kan in beide richtingen geplaatst worden en zit goed wanneer men een "klik" hoort.
- ◆ Steek de stekker in het stopcontact en zet het apparaat aan. Wanneer men op de aan-knop drukt gaat het controlelampje knipperen terwijl het apparaat opwarmt. Wanneer het controlelampje ophoudt met knipperen en continu brandt is de opwarming voltooid en is het apparaat gereed voor gebruik. Als je de aan / uit-schakelaar nogmaals 3 seconden ingedrukt houdt, gaat de verdamer uit. Wanneer het apparaat uit staat, brandt het controlelampje niet.
- ◆ Vul het waterreservoir maximaal bij, steek de stekker in het stopcontact en laat de kledingstomer opwarmen voor gebruik.
- ◆ Deze kledingstomer beschikt over een intelligent systeem dat het apparaat automatisch uitschakelt. Wanneer de gebruiker het product gedurende enige tijd niet gebruikt, zal het inwendige controlesysteem de energietoevoer onderbreken om ongelukken te voorkomen en elektriciteit te sparen.

GEBRUIK VAN UW KLEDINGSTOMER

- ◆ De kledingstomer is makkelijk te gebruiken en ideaal om kreukels en vouwen uit kleding en gordijnen te strijken en om huiselijk textiel te verfrissen.
- ◆ Het is geschikt voor bijna alle stoffen, mits het kledingstuk opgehangen is of de kledingstomer makkelijk ver-

ticaal toegepast kan worden in een op- en neergaande beweging.

- ◆ **OPMERKING:** de kledingstomer is ontworpen om verticaal op opgehangen kledingstukken toegepast te worden. Gebruik de kledingstomer niet op horizontaal gedrapeerde kledingstukken.
- ◆ 1. Controleer dat de achterzijde van de textiel geventileerd is.
- ◆ 2. Controleer dat de zakken van het kledingstuk leeg zijn.
- ◆ 3. Hang het kledingstuk op een hanger en strijk het met de hand glad.
- ◆ 4. **OPMERKING:** het wordt afgeraden metalen accessoires te stomen. Wees voorzichtig en vermijd de metalen accessoires bij het stomen.
- ◆ 5. Druk op de stoomknop. Tijdens het stomen zult u een trilling voelen en een zacht gezoem horen. Dit is normaal. Stoom in verticale stand en richt de stoomkop naar voren.
- ◆ 6. Druk de borstel zacht tegen het kledingstuk en strijk de arm in een op- en neergaande beweging over de kreukels van de stof.
- ◆ 7. Druk op de stoomknop om de stoomproductie te onderbreken.
- ◆ **OPMERKING:** rek de stof uit tijdens het stomen voor een optimaal resultaat.
- ◆ **⚠ WAARSCHUWING:** de kledingstomer produceert zeer hete stoom. Raak de stoomkop niet aan en let erop dat de stoomkop naar voren is gericht in verticale stand.
- ◆ 8. Wanneer u de kledingstomer zonder borstel gebruikt moet u een afstand van tenminste 5 cm bewaren tussen de stoomkop en het kledingstuk.

GORDIJNEN STOMEN

- ◆ 1. Was en droog de gordijnen in overeenstemming met de aanbevelingen voor het type textiel.
- ◆ 2. Hang de gordijnen op en stoom ze op de plek waar ze opgehangen worden.
- ◆ 3. Strek de gordijnen tijdens het stomen met een hand uit om de kreukels beter te verwijderen.

DE BEKLEDING VAN MEUBELS STOMEN

- ◆ 1. De kledingstomer kan ook gebruikt worden om de bekleding en hoezen van meubels en kussens te verfrissen. Probeer de kledingstomer altijd eerst uit op een klein stuk van de stof dat niet zichtbaar is.
- ◆ 2. Houd de kledingstomer verticaal en maak een op- en neergaande beweging. Pas de stoom voorzichtig toe op de stof van uw meubels. Het wordt aanbevolen de kussens verticaal te houden bij het stomen. Laat de

kussens geheel drogen voordat u ze opnieuw in de meubels plaatst.

- ◆ **OPMERKING:** om fijne stoffen, zoals zijde, te beschermen, verdient het aanbeveling om de borstel van de kledingstomer te gebruiken. Voor een optimaal resultaat bij hardnekkige kreukels, verwijder de borstel van de stoomknop en pas langdurig stoom toe op de betreffende plek om de kreukels te verwijderen.
- ◆ **▲ WAARSCHUWING:** zet de kledingstomer altijd uit voordat u de borstel aanbrengt of verwijdert.
- ◆ **OPMERKING:** gebruik alleen de bijgeleverde accessoires.
- ◆ **OPMERKING:** wanneer het apparaat veel lawaai maakt, een krachtig gezoem laat horen en geen stoom produceert, controleer het waterniveau van het reservoir.
- ◆ **▲ WAARSCHUWING:** gebruik de kledingstomer niet op de huid van een dier.

NA GEBRUIK VAN HET APPARAAT

- ◆ Stop het apparaat door op de aan/uit knop te drukken.
- ◆ Trek de stekker uit het stopcontact.
- ◆ Open de dop van het waterreservoir en giet het resterende water uit het reservoir (in de gootsteen of in een emmer).
- ◆ Plaats de kledingstomer op zijn basis, in verticale positie, en laat hem afkoelen.

Zelfreinigende functie

- ◆ Wanneer u deze functie wilt gebruiken moet u een kom bereid hebben om het water op te vangen. Vul het waterreservoir maximaal, steek de stekker in het stopcontact en houd de aan-knop gedurende 5 seconden ingedrukt. Het controlelampje knippert snel, het apparaat start de zelfreiniging en sproeit water. Stop de zelfreiniging door de aan-knop gedurende 5 seconden ingedrukt te houden, waarna het controlelampje uit gaat.

REINIGING

- ◆ Trek de stekker uit het stopcontact en laat het apparaat afkoelen alvorens het te reinigen.
- ◆ Maak het apparaat schoon met een vochtige doek met een paar druppels afwasmiddel en droog het daarna goed af.
- ◆ Gebruik geen oplosmiddelen of producten met een zure of basische pH zoals bleekwater, noch schuurmiddelen, om het apparaat schoon te maken.

- ◆ Dompel het apparaat niet onder in water of een andere vloeistof en houd het niet onder de kraan.

STORINGEN EN REPARATIE

- ◆ Breng het apparaat bij storing naar een erkende Technische Dienst. Probeer het apparaat niet zelf te demonteren of te repareren, want dit kan gevaarlijk zijn.

Voor EU-versies van het product en/of indien van toepassing in uw land:

Ecologie en hergebruik van het product

- ◆ Het verpakkingsmateriaal van dit apparaat is geschikt voor inzameling, classificatie en hergebruik. U kunt dit materiaal wegwerpen in de openbare afvalcontainers die voor de desbetreffende materialen bestemd zijn.
- ◆ Het product bevat geen stoffen in concentraties die als schadelijk voor het milieu beschouwd kunnen worden.



Dit symbool betekent dat u het product aan het eind van zijn levenscyclus moet afgeven aan een erkende afvalverwerker voor de gescheiden verwerking van Afgedankte Elektrische en Elektronische Apparatuur (AEEA).

Dit apparaat voldoet aan de laagspanningsrichtlijn 2014/35/EU, met de richtlijn 2014/30/EU met betrekking tot elektromagnetische compatibiliteit en met de richtlijn 2011/65/EU met betrekking tot beperkingen in de toepassing van bepaalde gevaarlijke stoffen in elektrische en elektronische apparaten en met de richtlijn 2009/125/EC met betrekking tot de eisen inzake ecologisch ontwerp voor energiegerelateerde producten.

GARANTIE EN TECHNISCHE ONDERSTEUNING

- ◆ Dit product valt onder de legale garantievoorwaarden zoals bepaald in de actuele wetgeving. Om een beroep te doen op uw rechten of aanspraken kunt u contact opnemen met onze officiële technische service.
- ◆ U kunt de dichtstbijzijnde technische service vinden op de website: <http://www.2helpu.com/>
- ◆ Voor verdere informatie kunt u ook contact met ons opnemen (zie de laatste bladzijde van de gebruiksaanwijzing).
- ◆ U kunt deze gebruiksaanwijzing en eventuele actualisering ervan downloaden via <http://www.2helpu.com/>.

Parownica do ubrań BXGS1600E

Szanowny Kliencie,

Serdecznie dziękujemy za zdecydowanie się na zakup sprzętu gospodarstwa domowego marki BLACK+DECKER.

Jego technologia, forma i funkcjonalność, jak również fakt, że spełnia on wszelkie normy jakości, dostarczy Państwu pełnej satysfakcji przez długi czas.

- ◆ Przeczytać uważnie instrukcję przed uruchomieniem urządzenia i zachować ją w celu późniejszych konsultacji. Niedostosowanie się i nieprzestrzeganie niniejszych instrukcji może doprowadzić do wypadku.

PORADY I OSTRZEŻENIA DOTYCZĄCE BEZPIECZEŃSTWA

- ◆ To urządzenie może być używane przez dzieci w wieku 8 lat i powyżej oraz osoby o ograniczonej sprawności fizycznej, sensorycznej lub umysłowej lub nieposiadające doświadczenia i wiedzy, jeżeli były one nadzorowane lub odpowiednio przeszkolone w zakresie korzystania z urządzenia w sposób bezpieczny i rozumieją zagrożenia z tego wynikające.
- ◆ Czyszczenie i konserwacja urządzenia nie powinny być wykonywane przez dzieci bez nadzoru dorosłych.
- ◆ To urządzenie nie jest zabawką. Dzieci powinny pozostać pod czujną opieką w celu zagwarantowania iż nie bawią się urządzeniem.
- ◆ Jeśli kabel zasilający jest uszkodzony powinien zostać wymieniony przez producenta, poprzez jego oficjalny serwis lub przez odpowiedni personel, aby uniknąć niebezpieczeństwa.
- ◆ Przed przystąpieniem do napełniania zbiornika wodą wyłączyć urządzenie z prądu.
- ◆ Wyłączać urządzenie z prądu, jeśli nie jest ono używane i przed przystąpieniem do jakiegokolwiek czyszczenia.
- ◆ Należy zachować ostrożność w trakcie używania urządzenia ze względu na wydobywającą się parę.
- ◆ Urządzenie to zaprojektowane zostało wyłącznie do użytku domowego, a nie do użytku profesjonalnego czy przemysłowego.
- ◆ Nie pozostawiać urządzenia bez nadzoru, gdy jest ono podłączone do sieci elektrycznej.
- ◆ Nie używać urządzenia, jeśli ono upadło czy kiedy występują widoczne oznaki uszkodzenia, albo jeśli istnieją wycieki.
- ◆ Przechowywać urządzenie i jego przewód w miejscu niedostępnym dla dzieci poniżej 8 roku życia, gdy jest ono zasilane lub chłodzone.
- ◆ Przed podłączeniem urządzenia do sieci, sprawdzić czy napięcie wskazane na tabliczce znamionowej odpowiada napięciu sieci.
- ◆ Podłączyć urządzenie do gniazdka z uziemieniem, które może utrzymać 16 amperów.
- ◆ Wtyczka urządzenia powinna być zgodna z podstawą

elektryczną gniazodka. Nigdy nie modyfikować wtyczki. Nie używać przejściówek dla wtyczki.

- ◆ Nie napinać kabla połączeniowego. Nie używać nigdy kabla elektrycznego do podnoszenia, przenoszenia ani wyłączania urządzenia.
- ◆ Nie zwiąć kabla elektrycznego podłączenia wokół urządzenia.
- ◆ Nie pozostawiać, by kabel elektryczny podłączenia został schwytyany lub pomarszczony.
- ◆ Sprawdzić stan elektrycznego kabla połączeń. Uszkodzone czy zaplątane kable zwiększają ryzyko porażenia prądem.
- ◆ Nie dotykać wtyczki mokrymi rękoma.
- ◆ Nie używać urządzenia, gdy kabel elektryczny lub wtyczka jest uszkodzona.
- ◆ Jeśli popełka jakiś element obudowy urządzenia, natychmiast wyłączyć urządzenie z prądu, aby uniknąć porażenia prądem.
- ◆ Nie używać urządzenia, jeśli ono upadło czy kiedy występują widoczne oznaki uszkodzenia, albo jeśli istnieją wycieki.
- ◆ Sprawdzić, czy powierzchnia, którą chcemy czyścić może być czyszczona parą.
- ◆ Urządzenie powinno być ustawiane i używane na powierzchni płaskiej i stabilnej.
- ◆ Należy ustawić urządzenie na podstawie na powierzchni stałej i stabilnej.
- ◆ Nie umieszczać na urządzeniu przedmiotów, które mogą utrudnić prawidłowe funkcjonowanie zaworu/ów bezpieczeństwa urządzenia.
- ◆ Nie należy używać z urządzeniami automatycznymi jak czasomierze lub podobne, które włączałyby urządzenie automatycznie.
- ◆ Nie używać, ani nie przechowywać urządzenia na zewnątrz.
- ◆ Nie wystawiać urządzenia na deszcz ani narażać na warunki wilgotności. Woda, która dostanie się do urządzenia zwiększy ryzyko porażenia prądem.
- ◆ Nie używać urządzenia mając wilgotne ręce czy stopy, ani będąc boso.

Używanie i konserwacja:

- ◆ Przed każdym użyciem, rozwinąć całkowicie przewód zasilania urządzenia.
- ◆ Nie używać urządzenia jeśli akcesoria lub osprzęt do niego są uszkodzone. Należy je wówczas natychmiast wymienić.
- ◆ Nie włączać urządzenia jeśli nie zawiera wody.
- ◆ Nie używać urządzenia, jeśli nie działa przycisk włączania ON/OFF.

- ◆ Przestrzegać poziomów MAX i MIN. (Fig. 1).
- ◆ Wylądzać urządzenie z prądu, jeśli nie jest ono używane i przed przystąpieniem do jakiegokolwiek czyszczenia.
- ◆ Przechowywać urządzenie w miejscu niedostępnym dla dzieci i/lub osób o ograniczonych zdolnościach fizycznych, dotykowych lub mentalnych oraz nie posiadających doświadczenia lub znajomości tego typu urządzeń.
- ◆ Nie chować jeśli jest jeszcze gorące.
- ◆ Urządzenie i jego akcesoria należy używać zgodnie z powyższą instrukcją obsługi, używanie go do innych celów niż opisane może powodować niebezpieczeństwo. Nie należy używać go do innych celów niż przeznaczony, gdyż może to spowodować zagrożenie dla zdrowia.
- ◆ Używać urządzenia napelniając je wyłącznie wodą.
- ◆ Zaleca się używanie wody destylowanej.
- ◆ Regularnie sprawdzać prawidłowy stan uszczelki pokryw.
- ◆ Nie pozostawiać nigdy urządzenia podłączonego i bez nadzoru. W ten sposób zaoszczędzi się energię i przedłuży okres użytkowania urządzenia.

Serwis techniczny:

- ◆ Należy upewnić się, że serwis urządzenia jest przeprowadzony przez wykwalifikowany personel, i że części zamienne są oryginalne.
- ◆ Wszelkie niewłaściwe użycie lub niezgodne z instrukcją obsługi może doprowadzić do niebezpieczeństwa, anulując przy tym gwarancję i odpowiedzialność producenta.

OPIS

- A Głowica parownika
- B Przycisk włącz/wyłącz (ON/OFF)
- C Uchwyt
- D Przycisk aktywacji pary
- E Kabel
- F Pojemnik na wodę (wyjmowany)
- G Szczotka do tkanin (wyjmowana)
- H Szczotka statyczna (wyjmowana)
- I Otwory

W przypadku, jeśli model Państwa urządzenia nie posiada opisanych powyżej akcesoriów, te można również nabyć osobno w Serwisie Technicznym.

SPOSÓB UŻYCIA

Uwagi przed użyciem:

- ♦ Usunąć jakąkolwiek naklejkę lub protektor podstawy parownicy.
- ♦ Rozwinąć i wyprostować kabel przed jej użyciem.
- ♦ Korzystając z parownicy ubrań po raz pierwszy należy pozwolić, aby para wydobywała się swobodnie przez parę minut. Pozwoli to na wyeliminowanie nieczystości i zapachów, które mogły nagromadzić się w procesie produkcji.
- ♦ Korzystając z parownicy ubrań po raz pierwszy, należy ją wypróbować na starym kawałku tkaniny, zanim użyjemy jej na swoim ubraniu.

MONTAŻ I DZIAŁANIE TWOJEJ PAROWNICY DO UBRAŃ

Napełnianie zbiornika

- ♦ 1) Po odłączeniu urządzenia wyjąć zbiornik, jak pokazano na rys. 2 i 3.
- ♦ 2) Napełnić zbiornik nie przekraczając maksymalnego poziomu. Następnie zamontować zbiornik na urządzeniu.
- ♦ Uwaga: Urządzenie zostało zaprojektowane do pracy z wodą destylowaną.
- ♦ 3) Ponownie zamontować zbiornik na wody w urządzeniu.

Użycie

- ♦ Trzymać mocno urządzenie ręką umiejscowioną na szyjce parownicy do ubrań, podtrzymując ją w pozycji pionowej i użyć drugiej ręki, aby założyć szczotkę na głowicy parownicy. Szczotka może być podłączona w obu kierunkach i zablokowana w swojej pozycji na „klik”.
- ♦ Podłączyć urządzenie do gniazdka elektrycznego i włączyć je. Naciskając na przycisk włączenia (ON), wskaźnik włącznika zacznie pulsować i urządzenie zacznie się nagrzewać. Kiedy światło wskaźnika przestanie pulsować i zacznie świecić stałym światłem, oznacza to, że zakończył się proces nagrzewania i można je używać. Naciskając ponownie przycisk ON przez 3 sekundy, wyłączy się parownica. kiedy urządzenie jest wyłączone, wskaźnik gaśnie.
- ♦ Gdy woda osiągnie najwyższy poziom, a urządzenie jest podłączone do sieci elektrycznej, należy pozostawić parownicę, aby się nagrzała przed jej użyciem.
- ♦ Ta parownica do ubrań posiada inteligentną funkcję automatycznego wyłączania. Gdy użytkownik nie korzysta

z urządzenia przez pewien czas, wtedy obwód kontroli wewnętrznej urządzenia odetnie zasilanie, aby zapobiec awariom i oszczędzać energię elektryczną.

JAK UŻYWAĆ PAROWNICY DO UBRAŃ?

- ♦ Parownica do ubrań jest łatwa w użyciu i idealna do usuwania zagnieceń lub fałd ubrań i zasłon, a także w celu odświeżenia tekstyliów domowych.
- ♦ Można ją stosować do większości tkanin, pod warunkiem, że ubranie będzie zawieszane lub gdzie parownica może być używana z łatwością w pozycji pionowej, przemieszczając ją po ubraniu w górę i w dół.
- ♦ UWAGA: parownica do ubrań jest przeznaczona do stosowania w pozycji pionowej na zawieszanych ubraniach. Powstrzymać się od stosowania parownicy na ubraniach umieszczonych w pozycji poziomej.
- ♦ 1. Upewnić się, że istnieje wentylacja z tyłu tkaniny.
- ♦ 2. Upewnić się, że kieszenie ubrania są puste.
- ♦ 3. Powiesić ubranie na wieszaku i wygładzić lekko ręką tkaninę.
- ♦ 4. UWAGA: zaleca się nie nanosić pary na elementy i akcesoria metalowe. Należy postępować ostrożnie rozpylając parę wokół akcesoriów metalowych.
- ♦ 5. Należy nacisnąć przycisk aktywujący parę. W trakcie nanoszenia pary będą odczuwalne wibracje i słyszalny lekki szum. Jest to normalne. Nanieść parę głowicą skierowaną do przodu i w pozycji pionowej.
- ♦ 6. Delikatnie docisnąć szczotkę do ubrania, przesuując rękę w górę i w dół na zagięciach tkaniny..
- ♦ 7. Nacisnąć przycisk parowania, aby zatrzymać wydobywanie się pary.
- ♦ UWAGA: w celu uzyskania lepszych rezultatów należy naciągać tkaninę w czasie nanoszenia pary.
- ♦ ⚠ OSTRZEŻENIE: parownica do ubrań generuje wysokie temperatury. Nie dotykaj głowicy nanoszenia pary i upewnij się, że parownica jest skierowana do przodu i jest w pozycji pionowej.
- ♦ 8. Podczas korzystania z parownicy do ubrań bez szczotki, zachować odległość, co najmniej, 5 cm pomiędzy głowicą natryskową (nanoszenia pary) a ubraniem.

PRASOWNIE ZASŁON

- ♦ 1. Wyprać i suszyć zasłony zgodnie ze wskazaniami dot. rodzaju tkaniny.
- ♦ 2. Rozwiesić zasłony i nanieść parę, kiedy będą zawieszane na swoim miejscu.
- ♦ 3. Naciągnąć delikatnie zasłonę ręką, kiedy наносimy parę, aby ułatwić wyeliminowanie zagnieceń.

NANOSZENIE PARY NA MEBLE I TAPICERKĘ

- ◆ 1. Parownica do ubrań może być również stosowana do odświeżania tapicerki, pokrowców na meble oraz poduszek na meblach i w pokoju. Przed naniesieniem pary, zawsze należy przetestować na malej powierzchni tkaniny, która nie jest widoczna.
- ◆ 2. Trzymać parownicę w pozycji pionowej i używać przesuwaną ją w górę i w dół. Nanosić delikatnie parę na tkaniny meblowe. Wskazane jest trzymanie poduszki w pozycji pionowej w trakcie nanoszenia pary. Poduszki powinny całkowicie wyschnąć zanim ponownie zostaną ułożone na swoim miejscu.
- ◆ UWAGA: w celu ochrony delikatnych tkanin, takich jak jedwab, należy użyć parownicy ze szcztotką. Aby uzyskać najlepszy rezultat w usunięciu ciężkich zagnieceń, należy wyjąć szcztotkę do tkanin z głowicy (dyszy) parownicy i nanosić parę w sposób ciągły na wybrany obszar, aż do momenty usunięcia zagnieceń.
- ◆ ▲ OSTRZEŻENIE: Przed przystąpieniem do montażu lub demontażu szcztotki, zawsze należy odłączyć parownicę do ubrań.
- ◆ UWAGA: używaj wyłącznie dostarczonych akcesoriów.
- ◆ UWAGA: jeśli urządzenie zaczyna być głośnie, wydając głośny szum i nie wytwarza pary, sprawdź poziom wody w zbiorniku na wodę.
- ◆ ▲ OSTRZEŻENIE: nie stosuj parownicy do ubrań bezpośrednio na sierści zwierząt.

PO ZAKOŃCZENIU KORZYSTANIA Z URZĄDZENIA

- ◆ Wyłączyć urządzenie za pomocą przełącznika ON/OFF.
- ◆ Wyłączyć z sieci elektrycznej.
- ◆ Otwórz wejście do zbiornika wody (nad zlewem lub wiadrem) i wylej wodę znajdującą się w zbiorniku, opróżniając go całkowicie.
- ◆ Umieść parownicę do ubrań w jej podstawie, w pozycji pionowej, i pozostawić, aby się ostudziła.

Self-cleaning function / Funkcja samooczyszczania

- ◆ Chcąc skorzystać z tej funkcji, należy najpierw przygotować pojemnik do zbierania wody. Napełnić zbiornik na wodę do poziomu max., włączyć urządzenie, przytrzymując przycisk włączenia (On) przez 5 sekund. Kontrolka zasilania zacznie szybko migać i urządzenie rozpocznie samooczyszczanie i rozpryskiwać wodę. Jeśli chcemy przerwać samooczyszczanie, należy

nacisnąć i przytrzymać przycisk zasilania przez 5 sekund i lampka zasilania zgaśnie.

CZYSZCZENIE

- ◆ Odłączyć urządzenie z sieci i pozostawić aż do ochłodzenia przed przystąpieniem do jakiegokolwiek czyszczenia.
- ◆ Czyścić urządzenie wilgotną szmatką zmoczoną kilkoma kroplami płynu i następnie osuszyć.
- ◆ Nie używać do czyszczenia urządzenia rozpuszczalników, produktów z czynnikiem pH takich jak chlor, ani środków żrących.
- ◆ Nie zanurzać urządzenia w wodzie ni innej cieczy, nie wkładać pod kran.

NIEPRAWIDŁOWOŚCI I NAPRAWA

- ◆ W razie awarii zanieść urządzenie do autoryzowanego Serwisu Technicznego. Nie próbować rozbierać urządzenia ani go naprawiać, ponieważ może to być niebezpieczne.

Dla urządzeń wyprodukowanych w Unii Europejskiej i w przypadku wymagań prawnych obowiązujących w danym kraju:

Ekologia i zarządzanie odpadami

- ◆ Materiały, z których wykonane jest opakowanie tego urządzenia, znajdują się w ramach systemu zbierania, klasyfikacji oraz ich odzysku. Jeżeli chcecie Państwo się ich pozbyć, należy umieścić je w kontenerze przeznaczonym do tego typu materiałów.
- ◆ Produkt nie zawiera koncentracji substancji, które mogłyby być uznane za szkodliwe dla środowiska.



Symbol ten oznacza, że jeśli chcecie się Państwo pozbyć tego produktu po zakończeniu okresu jego użytkowania, należy go przekazać przy zastosowaniu określonych środków do autoryzowanego podmiotu zarządzającego odpadami w celu przeprowadzenia selektywnej zbiórki Odpadów Urządzeń Elektrycznych i Elektronicznych (WEEE).

Urządzenie spełniające wymogi Ustawy 2014/35/EU o Niskim Napięciu, Ustawy 2014/30/EU o Zgodności Elektromagnetycznej, Ustawy 2011/65/EU o gospodarce odpadami elektrycznymi i elektronicznymi i ustawy 2009/125/EC o

urządzeniach konsumujących energię.

GWARANCJA I SERWIS TECHNICZNY

Ten produkt jest uznawany i chroniony prawną gwarancją zgodnie z obowiązującymi przepisami. W celu wyegzekwowania swoich prawa lub interesów, należy udać się do dowolnego z naszych oficjalnych usług pomocy technicznej.

Najbliższy punkt można znaleźć, korzystając z poniższego linku: <http://www.2helpu.com/>

Można również poprosić o informacje, kontaktując się z nami (patrz ostatnia strona instrukcji).

Można też pobrać niniejszą instrukcję obsługi i jej aktualizacje na <http://www.2helpu.com/>.

Ατμοκαθαριστής ρούχων BXGS1600E

Αξιοτίμη πελάτη:

Σας ευχαριστούμε που αποφασίσατε να αγοράσετε ένα προϊόν μάρκας BLACK+DECKER.

Η τεχνολογία, ο σχεδιασμός και η λειτουργία του, σε συνδυασμό με το γεγονός ότι το προϊόν πληροί τις αυστηρότερες προδιαγραφές ποιότητας θα σας εξασφαλίσουν πλήρη ικανοποίηση για πολύ καιρό.

- ◆ Διαβάστε προσεκτικά το παρόν φυλλάδιο οδηγιών πριν θέσετε σε λειτουργία τη συσκευή, και φυλάξτε το για να το συμβουλευέστε στο μέλλον. Η μη τήρηση των παρακάτω οδηγιών μπορεί να οδηγήσει σε ατύχημα.

ΟΔΗΓΙΕΣ ΚΑΙ ΠΡΟΕΙΔΟΠΟΙΗΣΕΙΣ ΑΣΦΑΛΕΙΑΣ

- ◆ Αυτή τη συσκευή μπορούν να τη χρησιμοποιούν παιδιά ηλικίας 8 ετών και άνω καθώς επίσης και άτομα με μειωμένες σωματικές, αισθητηριακές ή διανοητικές ικανότητες ή με έλλειψη εμπειρίας ή γνώσεων, εφόσον τους παρέχεται η κατάλληλη εποπτεία ή εκπαιδευτούν στην ασφαλή χρήση της συσκευής και εφόσον κατανοούν τους κινδύνους που εγκυμονεί.
- ◆ Η καθαριότητα και η συντήρηση που πρέπει να πραγματοποιεί ο χρήστης δεν πρέπει να πραγματοποιούνται από παιδιά χωρίς επιτήρηση.
- ◆ Η παρούσα συσκευή δεν είναι παιχνίδι. Τα παιδιά πρέπει να επιτηρούνται ώστε να διασφαλίζεται ότι δεν παίζουν με τη συσκευή.
- ◆ Αν το καλώδιο τροφοδοσίας έχει υποστεί ζημιά, πρέπει να αντικατασταθεί από τον κατασκευαστή, από το τμήμα του εξυπηρέτησης μετά την πώληση, ή από παρεμφερές ειδικευμένο προσωπικό, ώστε να αποφεύγεται τυχόν κίνδυνος.
- ◆ Αποσυνδέστε τη συσκευή από το ρεύμα πριν γεμίσετε τη δεξαμενή νερού.
- ◆ Αποσυνδέετε τη συσκευή από το ρεύμα, όταν δεν τη χρησιμοποιείτε καθώς και πριν πραγματοποιήσετε οποιαδήποτε διαδικασία καθαρισμού.
- ◆ Προσέχετε κατά τη χρήση της συσκευής επειδή η συσκευή εκτοξεύει ατμό.
- ◆ Αυτή η συσκευή έχει σχεδιαστεί μόνο για οικιακή χρήση, όχι για επαγγελματική ή βιομηχανική χρήση.
- ◆ Μην αφήνεται τη συσκευή χωρίς επιτήρηση όταν είναι συνδεδεμένη στο ρεύμα.
- ◆ Μην χρησιμοποιείτε τη συσκευή αν έχει πέσει στο δάπεδο, αν παρουσιάζει εμφανή φθορά ή διαρροή.
- ◆ Κρατήστε μακριά από παιδιά κάτω των 8 ετών τη συσκευή και το καλώδιό της, όταν η συσκευή είναι ενεργοποιημένη ή όταν κρυνώνει.
- ◆ Πριν συνδέσετε τη συσκευή στο ρεύμα, ελέγξτε ότι η

τάση που αναφέρεται στην πινακίδα σήμανσης συμπίπτει με την τάση του ρεύματος.

- ◆ Συνδέστε τη συσκευή σε πρίζα ρεύματος που να διαθέτει γείωση και να αντέχει 16 αμπέρ.
- ◆ Το βύσμα της πρίζας της συσκευής πρέπει να συμπίπτει με την πρίζα λήψης ρεύματος. Μην αλλάζετε ποτέ το βύσμα της πρίζας. Μην χρησιμοποιείται μετασχηματιστές στο βύσμα της πρίζας.
- ◆ Μην ασκείτε πίεση στο ηλεκτρικό καλώδιο. Μην χρησιμοποιείτε ποτέ το ηλεκτρικό καλώδιο για να σηκώνετε, να μεταφέρετε ή να βγάλετε από την πρίζα τη συσκευή.
- ◆ Μην τυλίγετε το ηλεκτρικό καλώδιο σύνδεσης γύρω από τη συσκευή.
- ◆ Φροντίστε να μη μένει μαγκωμένο ή διπλωμένο το ηλεκτρικό καλώδιο σύνδεσης.
- ◆ Ελέγξτε την κατάσταση του καλωδίου τροφοδοσίας. Αν το καλώδιο παρουσιάζει φθορά ή έχει μπλεχτεί αυξάνεται ο κίνδυνος ηλεκτροπληξίας.
- ◆ Μην αγγίζετε το βύσμα σύνδεσης με υγρά χέρια.
- ◆ Μην χρησιμοποιείτε τη συσκευή όταν το ηλεκτρικό καλώδιο ή το βύσμα έχουν υποστεί ζημιά.
- ◆ Εάν κάποιο από τα περιβλήματα της συσκευής σπάσει, αποσυνδέστε αμέσως τη συσκευή από το ρεύμα για να αποφύγετε πιθανότητα ηλεκτροπληξίας.
- ◆ Μην χρησιμοποιείτε τη συσκευή αν έχει πέσει στο δάπεδο, αν παρουσιάζει εμφανή φθορά ή διαρροή.
- ◆ Βεβαιωθείτε ότι η επιφάνεια που θέλετε να καθαρίσετε μπορεί να καθαριστεί με ατμό.
- ◆ Η συσκευή πρέπει να χρησιμοποιείται και να διατηρείται σε επίπεδη και σταθερή επιφάνεια.
- ◆ Όταν η συσκευή τοποθετείται στη βάση της, βεβαιωθείτε ότι η επιφάνεια πάνω στην οποία τοποθετείται η βάση είναι σταθερή.
- ◆ Μην τοποθετείτε αντικείμενα επάνω στη συσκευή που μπορεί να εμποδίσουν τη λειτουργία της/των βαλβίδας/ων ασφαλείας της συσκευής.
- ◆ Μην χρησιμοποιείτε τη συσκευή όταν είναι συνδεδεμένη με προγραμμιτιστές, χρονοδιακόπτες ή άλλη διάταξη που ενεργοποιεί τη συσκευή αυτομάτως.
- ◆ Μην χρησιμοποιείτε ούτε να φυλάσσετε τη συσκευή σε εξωτερικούς χώρους.
- ◆ Μην αφήνετε τη συσκευή εκτεθειμένη σε βροχή ή υγρασία. Το νερό που εισέρχεται στη συσκευή αυξάνει τον κίνδυνο ηλεκτροπληξίας.
- ◆ Μην χρησιμοποιείτε τη συσκευή με υγρά χέρια ή πόδια, ούτε ξυπόλυτοι.

Χρήση και συντήρηση:

- ◆ Πριν από κάθε χρήση, ξυτυλίξτε τελείως το καλώδιο

τροφοδοσίας της συσκευής.

- ◆ Μην χρησιμοποιείτε τη συσκευή, εάν τα εξαρτήματα ή τα αναλώσιμα που τη συνοδεύουν παρουσιάζουν ελαττώματα. Φροντίστε να τα αντικαταστήσετε αμέσως.
- ◆ Μην θέτετε τη συσκευή σε λειτουργία χωρίς νερό.
- ◆ Μην χρησιμοποιείται τη συσκευή αν δεν λειτουργεί ο διακόπτης έναρξης/παύσης λειτουργίας.
- ◆ Τηρείτε τα επίπεδα MAX και MIN. (Fig.1).
- ◆ Αποσυνδέστε τη συσκευή από το ρεύμα, όταν δεν χρησιμοποιείται καθώς και πριν εκτελέσετε οποιαδήποτε εργασία καθαρισμού, προσαρμογής, φόρτισης ή αλλαγής εξαρτημάτων.
- ◆ Διατηρήστε την παρούσα συσκευή μακριά από τα παιδιά ή/και τα άτομα με μειωμένες σωματικές, αισθητηριακές ή διανοητικές ικανότητες ή άτομα με ελλειψείς εμπειρίες ή γνώσεις.
- ◆ Μην φυλάσσετε ούτε να μεταφέρετε τη συσκευή όσο είναι ακόμα ζεστή.
- ◆ Χρησιμοποιείτε αυτήν τη συσκευή, τα εξαρτήματα και εργαλεία της σύμφωνα με τις παρούσες οδηγίες, λαμβάνοντας υπόψη τις συνθήκες χρήσης καθώς και τη χρήση που θα γίνει. Η χρήση της συσκευής για διαφορετικές λειτουργίες από αυτές που προβλέπονται μπορεί να προκαλέσει επικίνδυνες καταστάσεις.
- ◆ Χρησιμοποιείτε τη συσκευή μόνο με νερό.
- ◆ Συνιστάται η χρήση αποσταγμένου νερού.
- ◆ Ελέγχετε σε τακτικά χρονικά διαστήματα ότι ο δακτύλιος στεγανότητας στο καπάκι είναι σε άριστη κατάσταση χρήσης.
- ◆ Μην αφήνετε ποτέ συνδεδεμένη τη συσκευή και χωρίς επίτηρηση. Έτσι θα εξοικονομήσετε επίσης ενέργεια και θα επιμηκύνετε τη ζωή της συσκευής.

Λειτουργία:

- ◆ Η επισκευή της συσκευής πρέπει να πραγματοποιείται μόνο από ειδικευμένο προσωπικό και πρέπει να χρησιμοποιούνται μόνο γνήσια ανταλλακτικά ή εξαρτήματα για την αντικατάσταση υπαρχόντων τμημάτων/εξαρτημάτων.
- ◆ Οποιαδήποτε μη ενδεδειγμένη χρήση ή χρήση αντίθετη προς τις οδηγίες χρήσης μπορεί να εγκυμονεί κινδύνους, και ακυρώνει την εγγύηση και την ευθύνη του κατασκευαστή.

ΠΕΡΙΓΡΑΦΗ

- A Κεφαλή ατμού
- B Διακόπτης έναρξης και παύσης λειτουργίας
- C Χερούλι

- D Κουμπί ενεργοποίησης ατμού
- E Καλώδιο
- F Δεξαμενή νερού (αφαιρούμενη)
- G Βούρτσα υφασμάτων (αφαιρούμενη)
- H Στατική βούρτσα (αφαιρούμενη)
- I Οπές

Σε περίπτωση που το μοντέλο της συσκευής σας δεν διαθέτει τα εξαρτήματα που περιγράφονται παραπάνω, αυτά τα εξαρτήματα μπορείτε να τα αποκτήσετε μεμονωμένα από τις υπηρεσίες τεχνικής συνδρομής.

Τρόπος λειτουργίας

Παρατηρήσεις πριν τη χρήση:

- ♦ Αφαιρέστε τυχόν αυτοκόλλητα ή προστατευτικά καλύμματα από την κεφαλή του ατμοκαθαριστή.
- ♦ Ξετυλίξτε και κεντώστε το καλώδιο πριν τη χρήση του.
- ♦ Όταν χρησιμοποιείτε τον ατμοκαθαριστή ρούχων για πρώτη φορά, αφήστε να βγάλει ατμό για λίγα λεπτά. Αυτό συμβάλλει στην απομάκρυνση τυχόν ακαθαρσιών και οσμών οι οποίες θα μπορούσαν να έχουν απομείνει από τη διαδικασία κατασκευής.
- ♦ Όταν χρησιμοποιείτε τον ατμοκαθαριστή για ρούχα για πρώτη φορά, θα ήταν ίσως καλό να δοκιμάσετε τον ατμοκαθαριστή σε ένα παλιό ρετάλι υφάσματος, πριν το χρησιμοποιήσετε επάνω στα ρούχα σας.

ΣΥΝΑΡΜΟΛΟΓΗΣΗ ΚΑΙ ΛΕΙΤΟΥΡΓΙΑ ΤΟΥ ΑΤΜΟΚΑΘΑΡΙΣΤΗ ΡΟΥΧΩΝ ΣΑΣ

Γεμίστε τη δεξαμενή

- ♦ 1) Με τη συσκευή εκτός ρεύματος, αφαιρέστε τη δεξαμενή, με τον τρόπο που παρουσιάζεται στα σχήματα 2 και 3.
- ♦ 2) Γεμίστε τη δεξαμενή, χωρίς να υπερβείτε τη μέγιστη στάθμη. Στη συνέχεια, συναρμολογήστε τη δεξαμενή επάνω στη συσκευή.
- ♦ Σημείωση: Η συσκευή έχει σχεδιαστεί για να λειτουργεί με αποσταγμένο νερό.
- ♦ 3) Συναρμολογήστε και πάλι τη δεξαμενή νερού στη συσκευή.

Χρήση

- ♦ Πιάστε τη συσκευή με σταθερό χέρι από τον λαιμό του ατμοκαθαριστή ρούχων, κρατώντας την σε κάθετη θέση, και χρησιμοποιήστε το άλλο χέρι σας για να στηρίζετε τη βούρτσα επάνω στην κεφαλή του ατμοκαθαριστή.

Η βούρτσα μπορεί να συναρμολογηθεί και από τις δύο πλευρές και θα έχει κλειδώσει στη θέση της, όταν ακούσετε ένα «κλικ».

- ♦ Συνδέστε τη συσκευή σε μια πρίζα και ενεργοποιήστε τη. Πατώντας το κουμπί ενεργοποίησης, η φωτεινή ένδειξη θα αρχίσει να αναβοσβήνει και η συσκευή θα αρχίσει να ζεσταίνεται. Όταν το φως της φωτεινής ένδειξης σταματήσει να αναβοσβήνει και σταθεροποιηθεί, σημαίνει ότι ολοκληρώθηκε η προθέρμανση και ότι μπορείτε να αρχίσετε να τη χρησιμοποιείτε. Εάν πατήσετε ξανά το κουμπί λειτουργίας για 3 δευτερόλεπτα, απενεργοποιείται η ηλεκτρική σκούπα ατμού. Όταν η συσκευή είναι απενεργοποιημένη, η φωτεινή ένδειξη σβήνει.
- ♦ Όταν το νερό έχει φτάσει στην ανώτατη στάθμη και η συσκευή είναι συνδεδεμένη στην πρίζα, αφήστε τη συσκευή να προθερμανθεί πριν τη χρήση.
- ♦ Αυτός ο ατμοκαθαριστής ρούχων διαθέτει λειτουργία έξυπνης αυτόματης απενεργοποίησης. Όταν ο χρήστης σταματήσει να χρησιμοποιεί το προϊόν για κάποιο χρονικό διάστημα, το κύκλωμα εσωτερικού ελέγχου θα διακόψει την παροχή ενέργειας για την πρόληψη ατυχημάτων και για να εξοικονομείται ηλεκτρική ενέργεια.

ΠΩΣ ΝΑ ΧΡΗΣΙΜΟΠΟΙΕΙΤΕ ΤΟΝ ΑΤΜΟΚΑΘΑΡΙΣΤΗ ΡΟΥΧΩΝ

- ♦ Ο ατμοκαθαριστής ρούχων είναι εύχρηστος και ιδανικός για να εξαφανίζετε ζάρες ή πτυχώσεις στα ρούχα και τις κουρτίνες, καθώς επίσης και για να αναζωογονείτε τα υφάσματα που υπάρχουν μέσα στο σπίτι.
- ♦ Μπορεί να χρησιμοποιείται στα περισσότερα υφάσματα, αρκεί το ρούχο είναι κρεμασμένο ή κάπου όπου ο ατμοκαθαριστής να μπορεί να χρησιμοποιηθεί εύκολα σε κάθετη θέση, ενώ μετακινείται επάνω στο ρούχο με ανοδικές ή καθοδικές κινήσεις.
- ♦ ΣΗΜΕΙΩΣΗ: ο ατμοκαθαριστής ρούχων έχει σχεδιαστεί για να χρησιμοποιείται σε κάθετη θέση, σε κρεμασμένα ρούχα. Αποφύγετε να χρησιμοποιείτε τον ατμοκαθαριστή ρούχων σε ρούχα που έχουν τοποθετηθεί οριζόντια.
- ♦ 1. Βεβαιωθείτε ότι υπάρχει εξερισμός πίσω από το ύφασμα.
- ♦ 2. Βεβαιωθείτε ότι οι τσέπες του ρούχου είναι άδειες.
- ♦ 3. Κρεμάστε το ρούχο από μια κρεμάστρα και τεντώστε ελαφρώς το ύφασμα με το ένα χέρι.
- ♦ 4. ΣΗΜΕΙΩΣΗ: συνιστάται να μην εκτοξεύετε ατμό σε μεταλλικά αξεσουάρ. Να είστε προσεκτικοί και φροντίστε να εκτοξεύετε ατμό γύρω από τα μεταλλικά αξεσουάρ.
- ♦ 5. Πατήστε το κουμπί ενεργοποίησης του ατμού. Κατά την παραγωγή ατμού, θα νιώσετε δονήσεις και θα ακούσετε ένα ελαφρύ συριγμό. Αυτό είναι φυσιολογικό.

Εκτοξεύστε ατμό με την κεφαλή να κοιτάζει κατά μέτωπο και να είναι σε κάθετη θέση σε σχέση με το ρούχο.

- ♦ 6. Πατήστε ελαφρώς τη βούρτσα επάνω στο ρούχο, μετακινώντας το χέρι σε μια ανοδική και καθοδική κίνηση επάνω στις ζάρες του υφάσματος.
- ♦ 7. Πιέστε το κουμπί του ατμοκαθαριστή για να σταματήσετε τον ατμό.
- ♦ ΣΗΜΕΙΩΣΗ: για καλύτερα αποτελέσματα, βεβαιωθείτε ότι τονώνετε το ύφασμα ενώ του εκτοξεύετε ατμό.
- ♦ **▲ ΠΡΟΕΙΔΟΠΟΙΗΣΗ:** ο ατμοκαθαριστής ρούχων παράγει υψηλές θερμοκρασίες ατμού. Μην αγγίζετε την κεφαλή του ατμοκαθαριστή και βεβαιωθείτε ότι ο ατμοκαθαριστής κοιτάζει κατά μέτωπο και είναι σε κάθετη θέση σε σχέση με το ρούχο.
- ♦ 8. Όταν χρησιμοποιείτε τον ατμοκαθαριστή ρούχων χωρίς βούρτσα, να διατηρείτε μια απόσταση τουλάχιστον 5 cm ανάμεσα στην κεφαλή του ατμοκαθαριστή και το ρούχο.

ΓΙΑ ΝΑ ΚΑΘΑΡΙΣΕΤΕ ΜΕ ΑΤΜΟ ΚΟΥΡΤΙΝΕΣ

- ♦ 1. Πλύνετε και στεγνώστε τις κουρτίνες ανάλογα με τις οδηγίες για το συγκεκριμένο είδος υφάσματος.
- ♦ 2. Κρεμάστε τις κουρτίνες και εκτοξεύστε ατμό, όταν πια θα έχουν κρεμαστεί στη θέση τους.
- ♦ 3. Τεντώστε ελαφρώς την κουρτίνα με το ένα χέρι, ενώ εκτοξεύετε ατμό, για να βοηθήσετε να εξαφανιστούν οι ζάρες ευκολότερα.

ΚΑΘΑΡΙΣΜΟΣ ΜΕ ΑΤΜΟ ΤΑΠΕΤΣΑΡΙΣΜΕΝΩΝ ΕΠΙΠΛΩΝ

- ♦ 1. Ο ατμοκαθαριστής ρούχων μπορεί επίσης να χρησιμοποιηθεί για να αναζωογονηθούν ταπετσάρια, καλύμματα επίπλων και μαξιλάρια επίπλων καθώς και μαξιλάρια υπονοματίου. Πριν από την παραγωγή ατμού, πάντα πρέπει να δοκιμάζετε σε μια μικρή περιοχή του υφάσματος που να μην είναι ορατή.
- ♦ 2. Διατηρείστε τον ατμοκαθαριστή σε κάθετη θέση και χρησιμοποιήστε τον με ανοδικές και καθοδικές κινήσεις. Εκτοξεύστε λίγο ατμό στο ύφασμα των επίπλων σας. Συνιστούμε να κρατάτε τα μαξιλάρια και να τα διατηρείτε σε κάθετη θέση, όσο εκτοξεύετε ατμό επάνω τους. Αφήστε τα μαξιλάρια να στεγνώσουν τελείως, προτού τα ξαναποθετήσετε στα έπιπλα.
- ♦ ΣΗΜΕΙΩΣΗ: προκειμένου να προστατευτούν τα ευαίσθητα υφάσματα, όπως το μετάξι, συνιστάται να χρησιμοποιείτε τον ατμοκαθαριστή μαζί με τη βούρτσα. Για να έχετε καλύτερα αποτελέσματα σε επίμονες ζάρες, αφαιρέστε το εξάρτημα της βούρτσας υφασμάτων από

την κεφαλή του ατμοκαθαριστή και εκτοξεύστε ατμό συνεχόμενα επάνω στην επιλεγμένη περιοχή, μέχρι να εξαφανιστούν οι ζάρες.

- ♦ **▲ ΠΡΟΕΙΔΟΠΟΙΗΣΗ:** πριν συναρμολογήσετε ή αποσυναρμολογήσετε τη βούρτσα, να αποσυνδέετε πάντα τον ατμοκαθαριστή ρούχων από το ρεύμα.
- ♦ ΣΗΜΕΙΩΣΗ: χρησιμοποιήστε μόνο τα παρεχόμενα εξαρτήματα.
- ♦ ΣΗΜΕΙΩΣΗ: αν η συσκευή αρχίσει να κάνει θόρυβο, εκπέμποντας έναν δυνατό συριγμό και δεν παράγει ατμό, ελέγξτε τη στάθμη νερού στη δεξαμενή νερού.
- ♦ **▲ ΠΡΟΕΙΔΟΠΟΙΗΣΗ:** μη χρησιμοποιείτε τον ατμοκαθαριστή απευθείας σε δέρμα ζώου.

Αφού ολοκληρωθεί η χρήση της συσκευής:

- ♦ Σταματήστε τη λειτουργία της συσκευής, χρησιμοποιώντας το κουμπί έναρξης/παύσης.
- ♦ Αποσυνδέστε τη συσκευή από το ηλεκτρικό δίκτυο.
- ♦ Ανοίξτε την είσοδο της δεξαμενής νερού και (σε έναν νεροχύτη ή έναν κουβά) γύρετε τη δεξαμενή νερού για να αδειάσει το εναπομείναν νερό σε αυτήν.
- ♦ Τοποθετήστε τον ατμοκαθαριστή ρούχων στη βάση του, σε κάθετη θέση, και αφήστε να κρυώσει.

Λειτουργία αυτοκαθαρισμού

- ♦ Όταν επιθυμείτε να χρησιμοποιήσετε αυτήν τη λειτουργία, πρώτα πρέπει να ετοιμάσετε ένα δοχείο για να συλλέξετε το νερό. Γεμίστε τη δεξαμενή νερού στο μέγιστο, συνδέστε τη συσκευή στο ρεύμα, διατηρήστε πατημένο το κουμπί ενεργοποίησης για 5 δευτερόλεπτα. Το φως ενεργοποίησης θα αναβοσβήσει γρήγορα και η συσκευή θα αρχίσει να αυτοκαθαρίζεται και θα εκτοξεύει νερό. Αν θέλετε να σταματήσετε τον αυτοκαθαρισμό, κρατήστε πατημένο το κουμπί ενεργοποίησης για 5 δευτερόλεπτα και το φως ενεργοποίησης θα σβήσει.

ΚΑΘΑΡΙΟΤΗΤΑ

- ♦ Αποσυνδέετε τη συσκευή από το ρεύμα και αφήστε τη να ψυχρανθεί πριν πραγματοποιήσετε οποιαδήποτε διαδικασία καθαρισμού.
- ♦ Καθαρίστε τη συσκευή με ένα υγρό πανί, βρεγμένο με μερικές σταγόνες απορρυπαντικού και μετά στεγνώστε τη.
- ♦ Μη χρησιμοποιείται διαλυτικά ούτε προϊόντα με όξινο ή αλκαλικό παράγοντα pH, όπως η χλωρίνη, ούτε λιπαντικά προϊόντα για τον καθαρισμό της συσκευής.
- ♦ Μην εμβαπτίζετε ποτέ τη συσκευή σε νερό ή άλλο υγρό, ούτε να τη βάζετε κάτω από τη βρύση.

ΠΡΟΒΛΗΜΑΤΑ ΚΑΙ ΕΠΙΣΚΕΥΕΣ

- ◆ Σε περίπτωση βλάβης, μεταφέρετε τη συσκευή σε εξουσιοδοτημένο κατάστημα τεχνικής εξυπηρέτησης πελατών. Μην προσπαθήσετε να την αποσυναρμολογήσετε ή να την επισκευάσετε γιατί μπορεί να εκτεθείτε σε κίνδυνο.

Μπορείτε επίσης να ζητήσετε πληροφορίες, επικοινωνώντας μαζί μας (συμβουλευτείτε την τελευταία σελίδα του εγχειριδίου).

Μπορείτε να «κατεβάσετε» από το διαδίκτυο το παρόν εγχειρίδιο οδηγιών και τις σχετικές ενημερώσεις του στο <http://www.2helpu.com/>.

Για τις εκδόχές ΕΕ της συσκευής και/ή εφόσον ισχύουν τα παρακάτω στη χώρα σας:

Οικολογία και ανακυκλωσιμότητα του προϊόντος

- ◆ Τα υλικά συσκευασίας αυτής της συσκευής, συμμετέχουν σε πρόγραμμα αποκομιδής, ταξινόμησης και ανακύκλωση τους. Αν θέλετε να απαλλαγείτε από αυτά τα υλικά, μπορείτε να χρησιμοποιήσετε τους δημόσιους κάδους που ενδείκνυνται για κάθε είδος υλικού.
- ◆ Το προϊόν δεν περιέχει συγκεντρώσεις ουσιών που μπορούν να θεωρηθούν επιζήμιες για το περιβάλλον.



Αυτό το σύμβολο σημαίνει ότι εάν θέλετε να απαλλαγείτε από το προϊόν, όταν έχει ολοκληρωθεί ο κύκλος ζωής του, οφείλετε να το εναποθέσετε, με τα κατάλληλα μέσα, στα χέρια ενός διαχειριστή αποβλήτων, εγκεκριμένου για την επιλεκτική συλλογή αποβλήτων ειδών ηλεκτρικού και ηλεκτρονικού εξοπλισμού (ΑΗΗΕ).

Το παρόν προϊόν συμμορφώνεται με την οδηγία 2014/35/EU χαμηλής τάσης, με την οδηγία 2014/30/EU για την ηλεκτρομαγνητική συμβατότητα, με την οδηγία 2011/65/EU για τον περιορισμό της χρήσης ορισμένων επικίνδυνων ουσιών σε ηλεκτρικό και ηλεκτρονικό εξοπλισμό και με την οδηγία 2009/125/EC για τις απαιτήσεις οικολογικού σχεδιασμού όσον αφορά τα συνδεδεμένα με την ενέργεια προϊόντα.

ΕΓΓΥΗΣΗ ΚΑΙ ΤΕΧΝΙΚΗ ΥΠΟΣΤΗΡΙΞΗ

Το παρόν προϊόν αναγνωρίζεται και προστατεύεται από τη νόμιμη εγγύηση συμμόρφωσης προς την ισχύουσα νομοθεσία. Για να διεκδικήσετε τα δικαιώματά ή συμφέροντά σας πρέπει να απευθυνθείτε σε οποιοδήποτε από τα επίσημα γραφεία μας τεχνικής υποστήριξης.

Για να βρείτε το πιο κοντινό σε εσάς, ανατρέξτε στην ιστοσελίδα: <http://www.2helpu.com/>.

Отпариватель для одежды BXGS1600E

Уважаемый клиент!

Благодарим за выбор продукции торговой марки BLACK+DECKER

Он выполнен с применением передовых технологий, имеет элегантный дизайн, надежную конструкцию и превышает наиболее требовательные стандарты качества, что обеспечит полное соответствие вашим требованиям и продолжительный срок службы.

- ♦ Внимательно прочтите эту инструкцию перед включением электроприбора и сохраните ее для использования в будущем. Ненадлежащее соблюдение этой инструкции может быть причиной несчастного случая.

ИНСТРУКЦИЯ ПО ТЕХНИКЕ БЕЗОПАСНОСТИ

- ♦ Данное устройство может использоваться детьми старше 8 лет, лицами с ограниченными физическими, сенсорными или умственными возможностями, а также лицами, не обладающими соответствующим опытом или знаниями, только под присмотром или после проведения инструктажа по безопасному использованию устройства и с пониманием связанных с ним опасностей.
- ♦ Дети не должны выполнять чистку или ухаживать за прибором без присмотра старших.
- ♦ Прибор не является игрушкой. Необходимо следить за детьми, чтобы они не играли с ним.
- ♦ Поврежденный сетевой шнур подлежит замене в авторизованном сервисном центре. Не допускается разбирать или ремонтировать прибор, поскольку это небезопасно.
- ♦ отключите прибор от сетевой розетки перед тем, как вновь наполнить резервуар для воды.
- ♦ Отсоедините электроприбор от сети после использования или для его чистки;
- ♦ Соблюдайте осторожность во время использования прибора из-за выделения пара.
- ♦ этот прибор предназначен только для домашнего, а не профессионального или промышленного использования.
- ♦ не оставляйте прибор без присмотра подключенным к сети;
- ♦ Не допускается использовать прибор после падения на пол, если на нем имеются видимые следы повреждений или протечка.
- ♦ Не допускайте контакта детей младше 8 лет с утюгом и сетевым шнуром, если прибор включен, а также в процессе его охлаждения.
- ♦ Прежде чем включить электроприбор, убедитесь, что напряжение на этикетке соответствует напряжению в сети.
- ♦ Подключите электроприбор к заземленной розетке, рассчитанной на ток не менее 16 ампер.

- ◆ Сетевая вилка должна подходить к розетке. Не допускается вносить изменения в вилку сетевого шнура. Не допускается также использовать переходники для розетки.
- ◆ Не тяните шнур питания. Не допускается использовать шнур питания, чтобы поднимать или переносить электроприбор, вынимать вилку из розетки, потянув за шнур.
- ◆ Не накручивайте сетевой шнур на прибор.
- ◆ Не допускается пережимать или сильно сгибать шнур питания.
- ◆ Не допускается, чтобы сетевой шнур свешивался или касался горячих частей прибора.
- ◆ Проверьте состояние шнура питания. Поврежденный или запутанный шнур может быть причиной поражения электрическим током.
- ◆ Не прикасайтесь к вилке влажными руками.
- ◆ не допускается эксплуатировать электроприбор с поврежденным шнуром или вилкой питания.
- ◆ При любом повреждении корпуса электроприбора немедленно отключите его от сети, чтобы не допустить поражения электрическим током.
- ◆ Не допускается использовать прибор после падения на пол, если на нем имеются видимые следы повреждений или протечка.
- ◆ Убедитесь, что поверхность для очистки или глажки пригодна для очистки паром.
- ◆ Прибор нужно установить на ровную и устойчивую поверхность.
- ◆ Когда прибор поставлен на основание, убедитесь, что поверхность, на которой он стоит, устойчива.
- ◆ Не накрывайте прибор предметами, которые могут помешать правильной работе предохранительного клапана.
- ◆ не используйте прибор вместе с устройствами программирования, таймерами или другими устройствами, которые могут автоматически включить его.
- ◆ Не допускается использовать или хранить электроприбор на открытом воздухе.
- ◆ Не оставляйте прибор под дождем или во влажном месте. Если в прибор попадет вода, это может стать причиной поражения электрическим током;
- ◆ Не используйте прибор, если руки или ноги влажные, а также босиком;

Использование и уход:

- ◆ Перед каждым использованием полностью разворачивайте сетевую кабель.
- ◆ не используйте прибор с неисправными принадлежностями. Их следует немедленно установить

правильно.

- ◆ Не включайте прибор без воды.
- ◆ Не допускается эксплуатировать электроприбор с неисправным выключателем питания.
- ◆ Соблюдайте уровни MAX и MIN для воды. (Fig.1).
- ◆ Отсоедините электроприбор от сети после использования или для его чистки.
- ◆ Храните этот прибор вне досягаемости детей и/или лиц с ограниченными физическими, сенсорными или умственными возможностями, а также тех, кто не знаком с правилами его использования;
- ◆ Не ставьте электроприбор на хранение, пока он горячий.
- ◆ Любое несоответствующее использование прибора или несоблюдение инструкций по эксплуатации освобождают производителя от гарантийных обязательств по ремонту, а также снимают ответственность с изготовителя. Несоблюдение норм безопасности может привести к несчастному случаю.
- ◆ Пользуйтесь прибором только с водой.
- ◆ Рекомендуется использование дистиллированной воды.
- ◆ Рекомендуется использовать дистиллированную воду, особенно, если там, где вы находитесь, вода содержит глину или если она жесткая (содержит известь или магний).
- ◆ Не оставляйте включенный электроприбор без присмотра. Это сохранит электроэнергию и продлит срок его службы.

Сервисное обслуживание:

- ◆ Ремонтировать прибор разрешается только квалифицированным специалистам с использованием только оригинальных запасных частей.
- ◆ Любое неправильное использование или несоблюдение инструкций автоматически приводит к аннулированию гарантии и снятию ответственности производителя.

ОПИСАНИЕ

- A Паровой наконечник
- B Кнопка питания
- C Ручка
- D Кнопка активации пара
- E Кабель электропитания
- F Резервуар для воды (съёмный)
- G Щетка для ткани (съёмная)

Н Жесткая щетка (съёмная)
I Сопло

Если ваша модель не укомплектована нужной вам принадлежностью, ее можно приобрести отдельно через службу технической поддержки.

ИНСТРУКЦИЯ ПО ЭКСПЛУАТАЦИИ

Перед использованием:

- ◆ Снимите с паровой головки заводскую наклейку или крышку.
- ◆ Перед использованием размотайте и выровняйте шнур питания.
- ◆ Убедитесь в том, что вы полностью распаковали прибор.
- ◆ Используя отпариватель первый раз, дайте ему поработать несколько минут, чтобы удалить загрязнение и запахи, которые могли остаться после производства.
- ◆ При первом использовании отпаривателя для одежды, прежде чем отпаривать одежду, рекомендуется опробовать работу прибора на старом куске ткани.

Заливка воды:

- ◆ 1) Убедитесь, что прибор отключен от сети, поверните резервуар для воды по часовой стрелке и отсоедините его от основного корпуса прибора. (Fig. 2)
- ◆ 2) Отвинтите крышку резервуара для воды (Fig. 3).
- ◆ 2) затем залейте в него воду, не превышайте максимальный уровень воды. После этого плотно закрутите резервуар и совместите его с основным корпусом прибора.
- ◆ Примечание: Данный прибор предполагает использование чистой деминерализованной воды.
- ◆ Поместите резервуар для воды в прибор.

Использование:

- ◆ Возьмите отпариватель для одежды за ручку, придерживаясь правил безопасности. Держа прибор в вертикальном положении, другой рукой прикрепите щетку для ткани к паровому наконечнику. Прикрепите щетку для ткани очень легко, она зафиксируется на приборе, издав «щелчок».
- ◆ Подсоедините электроприбор к сети и включите его. Нажмите на кнопку питания, индикатор питания начнет мигать, и прибор начнет нагреваться. Когда световой индикатор перестанет мигать и станет гореть постоянно, можно начать использовать прибор.

Отключите отпариватель, нажав на кнопку питания в течение 3 секунд. Когда прибор выключится, световой индикатор погаснет.

- ◆ После заполнения резервуара до уровня МАКСИМУМ и подсоединения электроприбора к сети дайте ему прогреться перед использованием.
- ◆ В этом приборе предусмотрена функция автоматического выключения питания. Если его не использовать некоторое время, он автоматически выключится в целях безопасности и экономии электроэнергии.

ПОРЯДОК ИСПОЛЬЗОВАНИЯ ОТПАРИВАТЕЛЯ

- ◆ Отпариватель для одежды прост в использовании и им удобно разглаживать складки на одежде или занавесках, а также освежать глаженные вещи.
- ◆ Отпариватель можно использовать практически на всех вещах — для этого их нужно повесить на плечики и проводить отпаривателем вверх и вниз.
- ◆ ПРИМЕЧАНИЕ: отпариватель для одежды предназначен для использования в вертикальном положении на висящей одежде. Не используйте отпариватель внутри изделий или на одежде, находящейся в горизонтальном положении.
- ◆ 1. С обратной стороны вещи должна быть обеспечена вентиляция.
- ◆ 2. Проверьте, чтобы ничего не было в карманах.
- ◆ 3. Повесьте вещь на плечики и слегка натяните одной рукой.
- ◆ 4 ПРИМЕЧАНИЕ: рекомендуется не обрабатывать паром металлические аксессуары. Соблюдайте осторожность, проводя прибором вокруг металлических аксессуаров.
- ◆ 5. Нажмите кнопку подачи пара. Вы почувствуете вибрацию и услышите тонкий жужжащий звук при подаче пара - это нормально, пар направлен в противоположном от вас, вертикальном направлении.
- ◆ 6. Слегка прижмите щетку к одежде и проводите ею вверх и вниз по складкам.
- ◆ 7. Нажмите на кнопку подачи пара для остановки прибора.
- ◆ ПРИМЕЧАНИЕ: для достижения лучшего результата ткань должна быть немного натянута.
- ◆ ▲ ПРЕДУПРЕЖДЕНИЕ: отпариватель для одежды создает пар высокой температуры. Не прикасайтесь к паровому наконечнику, убедитесь, что отпариватель повернут в противоположном от вас, вертикальном направлении.
- ◆ 8. Если щетка не используется, удерживайте паровую головку на расстоянии не менее 5 см от ткани.

ОТПАРИВАНИЕ ЗАНАВЕСОК

- ◆ 1. Постирайте и просушите занавески в соответствии с типом ткани.
- ◆ 2. Отпаривайте занавески, повешенные на место.
- ◆ 3. При отпаривании слегка натягивайте занавеску второй рукой, чтобы лучше разглаживались складки.

ОТПАРИВАНИЕ ОБИВКИ МЕБЕЛИ

- ◆ 1. Отпариватель для одежды можно использовать для ухода за обивкой и чехлами на мебели, а также диванными подушками в комнате. Перед обработкой паром всегда проверяйте работу прибора на небольшом невидимом участке материала.
- ◆ 2. Удерживайте отпариватель для одежды в вертикальном положении и используйте его, совершая движения вверх и вниз. Слегка отпарьте мебельную обивку, диванные подушки следует снять и отпаривать, держа их в вертикальном положении. Прежде чем класть диванные подушки обратно, они должны полностью высохнуть.
- ◆ ПРИМЕЧАНИЕ: Для отпаривания таких деликатных тканей, как шелк, рекомендуется использовать щетку для ткани. Эта насадка защитит ткань во время отпаривания. Для достижения наилучшего результата, при разглаживании стойких складок, снимите щетку для ткани с парового наконечника и продолжайте отпаривать выбранную область, пока складки не исчезнут.
- ◆ ▲ ВНИМАНИЕ: снимая и устанавливая щетку, обязательно отсоединяйте отпариватель от сети.
- ◆ ПРИМЕЧАНИЕ: используйте только прилагаемые к прибору принадлежности.
- ◆ ПРИМЕЧАНИЕ: если электроприбор начинает издавать громкие хлопающие звуки и прекращает генерировать пар, нужно проверить уровень воды в резервуаре.
- ◆ ▲ ВНИМАНИЕ: запрещается направлять отпариватель на тело человека или животного.

После использования:

- ◆ Выключите прибор, используя переключатель on/off.
- ◆ Отключите прибор от сети.
- ◆ Откройте крышку резервуара для воды и вылейте воду в раковину или ведро.
- ◆ Поставьте отпариватель на основание в вертикальном положении для остывания.

Функция самоочистки:

- ◆ Если вы хотите использовать эту функцию, вам пона-

добится дополнительная емкость: возьмите прибор и опустите сопло в емкость. Налейте воду в резервуар для воды до максимального уровня, подключите прибор к сети, нажмите и удерживайте кнопку питания в течение 5 секунд, индикатор питания начнет быстро мигать, и прибор начнет самоочистку; во время этой операции прибор будет распылять воду, что является нормальным явлением. Если вы хотите остановить самоочистку, нажмите и удерживайте кнопку питания в течение 5 секунд, индикатор питания погаснет.

ОЧИСТКА

- ◆ Отсоедините прибор от сети после использования, чтобы он остыл перед чисткой.
- ◆ Очистите прибор, используя влажную ткань и несколько капель чистящей жидкости, а затем сухую ткань.
- ◆ Не допускается использовать растворители или продукты на основе кислоты или с высоким уровнем pH, например, отбеливатель, а также абразивные чистящие вещества.
- ◆ Не помещайте электроприбор в воду или иную жидкость, а также под струю воды.

НЕИСПРАВНОСТИ И РЕМОНТ

- ◆ В случае неисправности отнесите электроприбор в сервисный центр. Не пытайтесь самостоятельно ремонтировать электроприбор — это может быть опасно.

Для изделий в версии ЕС и/или, если этого требует законодательство в вашей стране:

Экология и вторичное использование

- ◆ Материалы упаковки прибора принимаются системой сбора и сортировки материалов для вторичного их использования. Для утилизации используйте бытовые контейнеры для каждого типа мусора.
- ◆ В изделии нет веществ в концентрациях, которые считаются вредными для окружающей среды.



Этот значок означает, что после окончания срока службы для утилизации электроприбора отнесите его в пункт сбора электрических и электронных отходов (WEEE).

Этот прибор выполнен в соответствии с Директивой по низковольтному оборудованию 2014/35/EU, Директивой по электромагнитной совместимости 2014/30/EU, Директивой 2011/65/EU, ограничивающей использование некоторых опасных веществ в электрическом и электронном оборудовании, а также Директивой 2009/125/ЕС по экологическим требованиям к изделиям, потребляющим энергию.

ГАРАНТИЯ И ТЕХНИЧЕСКАЯ ПОДДЕРЖКА

Этот продукт защищен юридической гарантией в соответствии с действующим законодательством. Чтобы обеспечить соблюдение ваших прав или интересов, вы должны обратиться в любую из наших официальных служб по технической поддержке клиентов. Вы можете найти ближайшие из центров, пройдя по следующей веб-ссылке: <http://www.2helpu.com/> Вы также можете запросить соответствующую информацию, связавшись с нами (см. последнюю страницу руководства). Вы можете скачать это руководство и обновления к нему по адресу <http://www.2helpu.com/>

Aparat de călcat pe verticală cu abur BXGS1600E

Stimate client,

Suntem bucuroși că ați ales să cumpărați un produs marca BLACK+DECKER.

Datorită tehnologiei sale, designului și modului de funcționare, precum și faptului că depășește cele mai stricte standarde de calitate, se poate garanta o utilizare complet satisfăcătoare și de lungă durată a produsului.

- ◆ Înainte de a porni aparatul, citiți cu atenție aceste instrucțiuni și păstrați-le pentru a le putea consulta în viitor. Nerespectarea acestor instrucțiuni poate provoca un accident.

RECOMANDĂRI ȘI AVERTIZĂRI PRIVIND SIGURANȚA

- ◆ Acest aparat poate fi utilizat de către copiii cu vârsta de peste 8 ani, precum și de către persoanele cu o capacitate fizică, senzorială sau mentală redusă sau fără experiență și cunoștințe, doar dacă aceștia sunt sub supraveghere sau au fost instruiți în legătură cu utilizarea aparatului în condiții de siguranță și înțeleg eventualele pericole.
- ◆ Curățarea și întreținerea nu trebuie efectuate de către copii fără supraveghere.
- ◆ Acest aparat nu este o jucărie. Copiii trebuie supravegheați, pentru a vă asigura că nu se joacă cu aparatul.
- ◆ În cazul în care conexiunea la rețeaua de alimentare a fost avariata, aceasta trebuie înlocuită, iar aparatul trebuie dus la un service de asistență tehnică autorizat. Nu încercați să dezamblați sau să reparați aparatul pe cont propriu, pentru a evita pericolele.
- ◆ Înainte de a umple rezervorul de apă, scoateți aparatul din priză.
- ◆ Deconectați aparatul de la rețeaua de alimentare atunci când nu îl utilizați și înainte de a-l curăța.
- ◆ Aveți grijă când utilizați aparatul din cauza emisiilor de abur.
- ◆ Acest aparat este destinat exclusiv uzului casnic, nu profesional sau industrial.
- ◆ Nu lăsați aparatul nesupravegheat atunci când acesta este conectat la rețeaua de energie electrică.
- ◆ Nu utilizați aparatul dacă a fost scăpat pe jos, dacă există semne vizibile de deteriorare sau dacă prezintă scurgeri.
- ◆ Nu lăsați fierul de călcat și cablul său de alimentare la îndemâna copiilor cu vârsta sub 8 ani atunci când este pornit sau se răcește.
- ◆ Înainte de a branșa aparatul, verificați dacă tensiunea de pe plăcuța de identificare a aparatului corespunde celei de la rețeaua de alimentare.
- ◆ Conectați aparatul la o priză de minim 16 amperi.
- ◆ Ștecărul aparatului trebuie să intre corect în priză. Nu modificați ștecărul. Nu utilizați adaptoare pentru ștecăre.
- ◆ Nu forțați cablul de alimentare. Nu utilizați niciodată cablul de alimentare pentru a ridica, transporta sau deconecta aparatul.
- ◆ Nu înfășurați cablul electric în jurul aparatului.
- ◆ Nu prindeți cu cleme și nu pliați cablul de alimentare.

- ◆ Nu permiteți cablului de alimentare să atârne sau să intre în contact cu suprafețele fierbinți ale aparatului.
- ◆ Verificați starea cablului de alimentare. Cablurile deteriorate sau încurcate măresc riscul de electrocutare.
- ◆ Nu atingeți ștecărul cu mâinile ude.
- ◆ Nu utilizați aparatul dacă acesta are ștecărul sau cablul de alimentare deteriorat.
- ◆ Dacă una din părțile carcasei aparatului se sparge, deconectați imediat aparatul de la rețea, pentru a preveni posibilitatea unui șoc electric.
- ◆ Nu utilizați aparatul dacă a căzut, dacă există semne vizibile de defecțiune sau dacă prezintă scurgeri.
- ◆ Verificați dacă suprafața care trebuie curățată sau călcată poate fi tratată cu abur.
- ◆ Aparatul trebuie utilizat și păstrat pe o suprafață plană și stabilă.
- ◆ Când aparatul este plasat pe suportul său, verificați ca suprafața pe care stă să fie stabilă.
- ◆ Nu acoperiți aparatul cu obiecte care ar putea deranja funcționarea corectă a supapei(lor) de siguranță.
- ◆ Nu utilizați acest aparat împreună cu un programator, temporizator sau alt dispozitiv care îl pornește în mod automat.
- ◆ Nu utilizați și nici nu depozitați aparatul în exterior.
- ◆ Nu lăsați aparatul în ploaie sau expus la umezeală. În cazul în care se infiltrază apă în interiorul aparatului, riscul de electrocutare va crește.
- ◆ Nu utilizați aparatul cu mâinile sau cu picioarele ude sau atunci când nu purtați încălțăminte.

Utilizare și îngrijire:

- ◆ Desfășurați complet cablul de alimentare al aparatului înainte de fiecare utilizare.
- ◆ Nu utilizați aparatul dacă accesoriile sau consumabilele atașate sunt defecte. Înlocuiți-le imediat.
- ◆ Nu porniți aparatul fără să aibă apă.
- ◆ Nu utilizați aparatul dacă comutatorul pornit/oprit nu funcționează.
- ◆ Respectați nivelurile MAX și MIN. (Fig.1).
- ◆ Deconectați aparatul de la rețeaua de alimentare atunci când nu îl utilizați și înainte de a-l curăța.
- ◆ Depozitați aparatul într-un loc care să nu fie la îndemâna copiilor și/sau a persoanelor cu capacități fizice, senzoriale sau mentale reduse, ori care nu au experiență sau cunoștințele necesare.
- ◆ Nu depozitați aparatul dacă este încă fierbinte.
- ◆ Utilizați aparatul, accesoriile și instrumentele sale conform acestor instrucțiuni. Țineți cont de condițiile de funcționare și de sarcina pe care o îndepliniți. Orice

utilizare incorectă sau în dezacord cu instrucțiunile de utilizare poate implica o situație periculoasă.

- ◆ Utilizați numai apă pentru aparat.
- ◆ Se recomandă utilizarea apei distilate.
- ◆ Este recomandat să utilizați apă distilată, mai ales dacă apa din zona dvs. conține argilă sau dacă este „dură” (conține calcar sau magneziu).
- ◆ Nu lăsați niciodată aparatul conectat și nesupravegheat dacă nu este utilizat. Astfel se economisește energie și se prelungeste durata de viață a aparatului.

Service:

- ◆ Asigurați-vă că lucrările de întreținere ale aparatului sunt efectuate doar de personal calificat și că sunt utilizate doar piese de schimb și accesorii originale pentru înlocuirea pieselor/accesoriilor existente.
- ◆ Orice utilizare necorespunzătoare sau nerespectare a instrucțiunilor determină garanția și responsabilitățile producătorului să devină nule și neavenite.

DESCRIERE

- A Cap pentru abur
- B Întreprupător
- C Mâner
- D Buton de activare abur
- E Cablu de alimentare
- F Rezervor de apă (detașabil)
- G Perie din țesătură (detașabilă)
- H Perie statică (detașabilă)
- I Duză

Dacă modelul aparatului dvs. nu are accesoriile descrise mai sus, acestea pot fi achiziționate și separat de la serviciul de asistență tehnică.

INSTRUCȚIUNI DE UTILIZARE- Înainte de utilizare:

- ◆ Scoateți banda adezivă sau capacul de protecție de la capul de aburi.
- ◆ Desfaceți și îndreptați cordonul înainte de utilizare.
- ◆ Asigurați-vă că ați înlăturat toate ambalajele produsului.
- ◆ Când folosiți pentru prima dată fierul de călcat pe verticală cu aburi, lăsați-l să producă aburi timp de câteva minute. Astfel se vor îndepărta toate impuritățile și mirosurile rămase eventual în urma procesului de

fabricație.

- ◆ Când folosiți aparatul de călcat cu abur pentru prima dată, vă recomandăm să încercați aburul pe o bucată veche de țesătură înainte de a vă aburi țesătura.

Umplerea cu apă:

- ◆ 1) Asigurați-vă că aparatul este deconectat, rotiți rezervorul de apă spre dreapta, separați-l de corpul principal. (fig. 2). Deșurubați capacul rezervorului de apă (fig. 3)
- ◆ 2) apoi completați apa; Nu depășiți nivelul maxim de apă. Apoi, rotiți-l pentru a strânge, potriviți-l cu corpul principal.
- ◆ Notă: Aparatul dvs. a fost proiectat să funcționeze folosind apă pură demineralizată.
- ◆ Montați rezervorul de apă la aparat.

Utilizare:

- ◆ Țineți aparatul cu mâna poziționată în siguranță pe mânerul aparatului de călcat pe verticală cu aburi. În poziție verticală, folosiți cealaltă mână pentru a atașa peria pentru țesături pe capul de aburi. Peria pentru țesături poate fi atașată în ambele sensuri, blocându-se pe poziție cu un „clic” audibil.
- ◆ Conectați aparatul la o priză și porniți-l. Apăsăți butonul de alimentare, indicatorul luminos de alimentare va clipi și aparatul va începe să se încălzească. Când luminile încetează să clipească într-o lumină lungă, cea preîncălzire terminată, puteți începe să o utilizați. Oprți aburul apăsând din nou butonul de alimentare timp de 3 secunde. Când aparatul este oprit, indicatorul luminos se va stinge.
- ◆ După ce rezervorul este umplut până la nivelul MAXIMUM și aparatul este băgat în priză, lăsați fierul de călcat pe verticală cu aburi să se preîncălzească, înainte de a-l utiliza.
- ◆ Acest aparat de călcat pe verticală cu aburi are o funcție inteligentă de oprire automată. Când utilizatorul nu mai folosește acest produs un anumit timp, circuitul de comandă intern va întrerupe alimentarea, împiedicând producerea unui accident și economisind energia electrică.

CĂLCAREA ARTICOLELOR DE ÎMBRĂCĂ-MINTE

- ◆ Aparatul de călcat pe verticală cu aburi este ușor de folosit, fiind perfect pentru îndepărtarea încrețiturilor și cutelor articolelor de îmbrăcăminte și perdelelor, precum și pentru împrăștierea țesăturilor articolelor de mobilier.
- ◆ Se poate utiliza pe majoritatea tipurilor de țesături, cu condiția ca acestea să fie suspendate sau ca fierul de

călcat cu aburi să poată fi folosit în poziție verticală, deplasându-l în sus și în jos de-a lungul țesăturii.

- ◆ NOTĂ: aparatul de călcat cu abur vertical este conceput pentru a fi utilizat în poziție verticală pe articolele de îmbrăcăminte suspendate. Nu utilizați aparatul de călcat cu abur în sau pe articole de îmbrăcăminte în poziție orizontală.
- ◆ 1. Verificați ca în spatele țesăturii să existe aer.
- ◆ 2. Verificați ca buzunarele hainelor să fie goale.
- ◆ 3. Așezați îmbrăcăminte pe un umerăș și întindeți-o ușor, cu mâna.
- ◆ 4. NOTĂ: vă recomandăm să nu călcați cu abur peste accesoriile metalice. Aveți grijă și călcați cu abur în jurul accesoriilor metalice.
- ◆ 5. Apăsăți butonul „abur”. Veți simți vibrații și veți auzi un bâzâit subtil în timp ce călcați cu aburi; acest lucru este normal; aburul este îndreptat departe de dvs. și într-o poziție superioară, corectă
- ◆ 6. Apăsăți ușor peria de haine pe articolul de îmbrăcăminte, deplasând brațul în sus și în jos, de-a lungul cutelor țesăturii.
- ◆ 7. Apăsăți butonul pentru abur pentru a opri aburul.
- ◆ NOTĂ: pentru a obține rezultate optime, verificați ca țesătura călcată să fie întinsă.
- ◆ ▲ AVERTISMENT: Aparatul de călcat cu aburi generează temperaturi ridicate ale aburului. Nu atingeți capul de aburi și aveți grijă ca fierul să fie îndreptat dinspre dvs., în poziție verticală.
- ◆ 8. Dacă utilizați aparatul fără peria de haine, păstrați o distanță de minimum 5 cm între capul de aburi și haină.

CĂLCAREA PERDELELOR

- ◆ 1. Spălați și uscați perdelele conform instrucțiunilor, în funcție de tipul țesăturii.
- ◆ 2. Atârnați perdelele și călcați-le în timp ce acestea sunt suspendate la locul lor.
- ◆ 3. Întindeți ușor perdeaua cu o mână, în timp ce călcați, pentru a îndepărta mai ușor cutele.

CĂLCAREA TAPIȚERIEI

- ◆ 1. Aparatul de călcat pe verticală cu abur poate fi folosit pentru împrăștierea tapițeriei, a huselor pentru mobilă și a pernelor mobilei sau din cameră. Înainte de a călca, întotdeauna testați pe o bucată de țesătură care nu este vizibilă.
- ◆ 2. Păstrarea aparatului de călcat pe verticală cu abur și utilizarea și mișcarea sus și jos a aparatului de călcat cu abur. Călcați ușor cu abur peste materialul mobilei dvs. Pernele trebuie îndepărtate și ținute în poziție verticală pentru a produce abur. Lăsați pernele să se usuce bine

Înainte de a le înlocui pe mobilier.

- ◆ NOTĂ: Este recomandat să utilizați accesoriul de perie pentru țesături atunci când aburiți țesături delicate, precum mătasea, acest lucru va reduce la minim articolul vestimentar în timpul călcării cu abur. Pentru un rezultat mai bun atunci când îndepărtați cutele persistente, îndepărtați accesoriul periei de țesătură de pe capul de abur și aburiți continuu peste zona selectată până când sunt îndepărtate cutele.
- ◆ ▲ AVERTISMENT: Întotdeauna scoateți din priză aparatul de călcat pe verticală cu aburi, înainte de a atașa sau detașa peria de haine.
- ◆ NOTĂ: Folosiți numai accesoriile furnizate.
- ◆ NOTĂ: Dacă unitatea scoate un zumzet puternic și nu generează aburi, verificați nivelul apei din rezervor.
- ◆ ▲ AVERTISMENT: Nu utilizați aparatul de călcat pe verticală cu aburi direct pe corp sau pe animale.

După ce ați terminat cu utilizarea aparatului:

- ◆ Opriti aparatul de la întrerupătorul pornit/oprit.
- ◆ Deconectați aparatul de la rețeaua de alimentare.
- ◆ Deschideți capacul rezervorului de apă (deasupra chiuvetei sau unei găleți) și răsturnați rezervorul de apă pentru a-l goli de apa rămasă.
- ◆ Puneți fierul de călcat pe verticală cu aburi pe talpa sa, în poziție verticală și lăsați-l să se răcească.

Funcția de autocurățare:

- ◆ Când doriți să utilizați această funcție, mai întâi trebuie să pregătiți un recipient, să manevrați aparatul pentru a pune duza în recipient. Umpleți rezervorul de apă până la maxim, conectați aparatul la priză, apăsați lung butonul de alimentare 5 s, indicatorul de alimentare va lumina intermitent rapid, iar aparatul va începe să se autocurățeze, apoi aparatul va pulveriza apă, ceea ce este normal. Dacă doriți să opriti auto-curățarea, apăsați lung butonul de alimentare 5 s, indicatorul de alimentare va fi stins.

CURĂȚARE

- ◆ Deconectați aparatul de la sursa de alimentare și lăsați-l să se răcească înainte de a-l curăța.
- ◆ Curățați aparatul cu o cârpă umedă și câteva picături de detergent lichid, apoi uscați-l.
- ◆ Nu utilizați solvenți sau produse cu pH acid sau bazic, precum înălbitori sau produse abrazive, pentru curățarea aparatului.
- ◆ Nu introduceți niciodată aparatul în apă sau în orice alt

lichid și nici nu țineți aparatul sub jet de apă.

ANOMALII ȘI REPARAȚII

- ◆ Duceți aparatul la un service de asistență tehnică autorizat, dacă produsul este deteriorat sau apar alte probleme. Nu încercați să demontați sau să reparați singur aparatul, deoarece poate fi periculos.

Pentru versiunile UE ale produsului și/sau în cazul în care este obligatoriu în țară dvs.:

Ecologia și reciclarea produsului

- ◆ Materialele din care este alcătuit ambalajul acestui produs sunt incluse într-un sistem de colectare, clasificare și reciclare. Dacă veți dori să le eliminați, utilizați pubelele publice corespunzătoare fiecărui tip de material.
- ◆ Produsul nu conține substanțe în concentrații care ar putea fi considerate dăunătoare pentru mediu.



Acest simbol înseamnă că, în cazul în care doriți să aruncați aparatul la încheierea duratei de funcționare, trebuie să îl duceți la un centru de colectare a deșeurilor autorizat, pentru colectarea selectivă a Deșeurilor provenite de la Echipamente Electrice și Electronice (DEEE).

Acest aparat respectă Directiva 2014/35/EU cu privire la echipamentele electrice destinate utilizării în cadrul unor anumite limite de tensiune, Directiva 2014/30/EU cu privire la compatibilitatea electromagnetică, Directiva 2011/65/EU privind restricțiile de utilizare a anumitor substanțe periculoase în echipamentele electrice și electronice, precum și Directiva 2009/125/EC de instituire a unui cadru pentru stabilirea cerințelor în materie de proiectare ecologică aplicabile produselor cu impact energetic.

GARANȚIE ȘI ASISTENȚĂ TEHNICĂ

Acest produs beneficiază de recunoașterea și protecția garanției legale în conformitate cu legislația în vigoare. Pentru a vă exercita drepturile sau interesele, trebuie să vă adresați unuia dintre service-urile noastre oficiale de asistență tehnică.

Puteți găsi cel mai apropiat serviciu de asistență tehnică accesând următorul link web: <http://www.2helpu.com/>.

De asemenea, puteți solicita informații conexe, contactând-ne (consultați ultima pagină a manualului).

Puteți descărca acest manual de instrucțiuni și actualizările sale la <http://www.2helpu.com/>.

Вапоризатор (пароструйка) за дрехи BXGS1600E

Уважаеми клиенти,

Благодарим Ви, че закупихте електроуред с марката BLACK+DECKER.

Технологията, дизайнът и функционалността на същия, както и фактът, че той надвишава най-стриктните норми за качество ще Ви донесат пълно и дълготрайно задоволство от него.

- ◆ Моля прочетете внимателно тази брошура, преди да пуснете уреда в действие. Запазете я за по-нататъшни справки. Несъобразяването с настоящите указания може да стане причина за произшествие.

СЪВЕТИ И ПРЕДУПРЕЖДЕНИЯ ЗА БЕЗОПАСНОСТ.

- ◆ Уредът може да бъде използван от хора, неумеещи да боравят с този вид продукти, хора с физически увреждания или деца над 8 години, но само и единствено ако се намират под надзора на някой възрастен, или ако предварително им е обяснено как безопасно да използват уреда, а също и ако разбират наличните рискове.
- ◆ Уредът може да бъде почистван или поддръжката му да бъде извършвана от деца, единствено ако се намират под надзора на възрастен човек.
- ◆ Този уред не е играчка. Наблюдавайте децата, така че да не си играят с уреда.
- ◆ В случай, че захранващият кабел е повреден, същият следва да бъде заменен от производителя, от службата за поддръжка или подобен квалифициран персонал, с цел да бъде избегнато произшествие.
- ◆ Изключете уреда от ел. мрежата преди да напълните резервоара с вода.
- ◆ Изключете уреда, когато не го използвате, или когато се готвите да го почистите.
- ◆ Използвайте уреда с повишено внимание поради изпускането на пара.
- ◆ Този уред е предназначен единствено за битови нужди, а не за професионална или промишлена употреба.
- ◆ Моля, не оставяйте уреда без надзор, докато е включен в електрозахранващата мрежа.
- ◆ Не използвайте уреда ако е паднал, ако има видими повреди или теч.
- ◆ Когато уредът се намира под напрежение или докато изстива, моля дръжте - и него, и неговия кабел - извън достъпа на деца под 8 годишна възраст.
- ◆ Преди да свържете уреда към мрежата, проверете, дали посоченото на табелката с техническите характеристики напрежение съвпада с напрежението на електрическата мрежа.
- ◆ Включете уреда в заземен източник на електрически ток, който да може да издържа 16 ампера.

- ◆ Щепселът на уреда следва да съвпада по вид с електрически контакт. В никакъв случай не променяйте вида на щепсела. Не използвайте адаптори за щепсела.
- ◆ Не упражнявайте сила върху електрическия кабел. В никакъв случай не използвайте електрическия кабел за повдигане, пренасяне или изключване на уреда.
- ◆ Не навивайте електрическия кабел около уреда.
- ◆ Не допускате притискане или прегъване на електрическия кабел.
- ◆ Проверявайте често състоянието на захранващия кабел. Ако кабелът е повреден или заплетен, опасността от електрически удар нараства.
- ◆ Не докосвайте щепсела за включване в мрежата с мокри ръце.
- ◆ Не използвайте уреда при повреден кабел или щепсел.
- ◆ Ако някоя външна част на уреда се повреди, незабавно го изключете от захранващата мрежа, за да предотвратите опасността от електроудар.
- ◆ Моля не използвайте уреда, ако е паднал или ако по него има видими следи от увреждане.
- ◆ Уверете се, че повърхността, която ще почиствате може да бъде обработвана с пара.
- ◆ Уредът следва да се постави и използва върху равна и устойчива повърхност.
- ◆ При поставяне на уреда върху неговата основа, подсигурете се, че повърхността, върху която се поставя основата е стабилна.
- ◆ Не поставяйте предмети върху уреда тъй като могат да попречат на правилното функциониране на предпазната/предпазните клапа/ клапи на уреда.
- ◆ Не използвайте уреда, ако е свързан с програматор, таймер или друго устройство за автоматично включване на уреда.
- ◆ Не използвайте и не съхранявайте уреда на открито.
- ◆ Не излагайте уреда на дъжд и влага. Водата, проникнала в уреда повишава риска от токов удар.
- ◆ Не използвайте уреда в близост до вани, душове и басейни.

Употреба и поддръжка :

- ◆ Преди употреба развийте напълно захранващия кабел на уреда.
- ◆ Моля, не използвайте уреда в случай, че скачените към него приставки или консумативи имат дефекти. Незабавно ги заменете.
- ◆ Не пускайте уреда в действие без вода.
- ◆ Не използвайте уреда при повреден бутон за вкл./

изкл.

- ◆ Спазвайте максималното и минималното ниво. (Fig.1).
- ◆ Изключвайте уреда от мрежата, когато не е в употреба, както и преди почистване, монтаж, зареждане или смяна на приставките.
- ◆ Съхранявайте уреда далеч от досега на деца и/или хора с намалени физически, сензорни или умствени възможности, или такива без опит и познания за боравене с него.
- ◆ Не съхранявайте уреда, ако все още е топъл.
- ◆ Използвайте този уред, както и приставките и инструментите към него като следвате тези инструкции, съобразявайки се с работните условия и предстоящата за извършване дейност. Употребата на уреда за цели, различни от посочените може да доведе до опасни положения.
- ◆ Използвайте уреда единствено с вода.
- ◆ Препоръчителна е употребата на дестилирана вода.
- ◆ От време на време проверявайте, дали уплътнението на капака. То трябва да се намира в безупречно състояние.
- ◆ В никакъв случай не оставяйте без наблюдение уреда, докато е включен. По този начин ще спестите енергия, а също и ще удължите живота на ел.уреда.

Обслужване на уреда:

- ◆ Уверете се, че поддръжката на уреда се осъществява от специализирано лице и винаги използвайте оригинални консумативи и резервни части.
- ◆ Неправилното използване на уреда или неспазването на инструкциите за работа е опасно, анулира гаранцията и освобождава производителя от отговорност.

ОПИСАНИЕ

- A Крайник за парата
- B Бутон за включване и изключване
- C Ръкохватка
- D Бутон за задействане на парата
- E Кабел
- F Резервоар за вода (изваждаем)
- G Четка за тъкани (изваждаема)
- H Статична четка (изваждаема)
- I Отвори

В случай, че уредът, с който разполагате е модел, не-окомплектован с гореописаните приставки, тях можете да придобиете отделно в сервизите за техническо обслужване.

НАЧИН НА УПОТРЕБА

Забележки преди употреба:

- ◆ Отстранете всякакви лепенки или защитната покривка върху главата на пароструйката.
- ◆ Преди употреба, развийте и опънете добре кабела.
- ◆ При употреба на пароструйката за първи път, оставете я да изпусна пара в продължение на няколко минути. Това спомага за отстраняването на нечистотии и миризми, възможно задържали се в уреда вследствие процеса на производство.
- ◆ При употреба за първи път на пароструйката, преди да пристъпите към използването ѝ върху дрехи, можете да го изпробвате върху старо парче плат.

ПОСТАВЯНЕ И РАБОТА НА ПАРОСТРУЙКАТА ЗА ДРЕХИ

Напълнете резервоара

- ◆ 1) При изключен уред, извадете резервоара така, както е показано във фиг. 2 и 3.
- ◆ 2) Напълнете резервоара, без да надхвърляте означението за най-високо равнище. Впоследствие вкарайте отново резервоара в уреда.
- ◆ Бележка: Уредът е предназначен да работи само с дестилирана вода.
- ◆ 3) Поставете отново резервоара в уреда.

Употреба

- ◆ С една ръка, дръжте здраво за гърлото пароструйката в отвесно положение, а с другата ръка поддържайте четката върху накрайника на пароризатора. Четката може да се прикачи и в двете посоки. Когато се намести на своето положение, ще се чуе ясно изщракване.
- ◆ Пъхнете щепсела в електроконтакта и включете уреда. При натискане копчето за включване, лампичката ще започне да мига и уредът ще започне да се загрява. Когато лампичката престане да мига и започне да свети постоянно, това означава, че подгряването е завършило и уредът е готов за употреба. За да изключите пароструйката, натиснете повторно копчето за включване за 3 секунди. При изключване на уреда, лампичката ще престане да свети.

- ◆ Преди да започнете да работите с пароструйката, след като водата е достигнала най-високото си равнище и уредът е включен към електрическия контакт, оставете пароструйката да се подгрее.
- ◆ Пароструйката за дрехи има интелигентна функция за автоматическо изключване. Когато пароструйката не се използва за известно време, вградената верига за вътрешен контрол прекратява достъпа на енергия. По този начин се предотвратяват произшествия и спестява електроенергия.

КАК ДА ИЗПОЛЗВАМЕ ПАРОСТРУЙКАТА ЗА ДРЕХИ

- ◆ Пароструйката за дрехи е лесна за употреба и е чудесно средство за премахване на гънки и следи от смачкано по дрехата или пердетата, както и за освежаване на тъканите в дома.
- ◆ Може да бъде използвана при по-голямата част от платовете. За целта дрехата следва да е окачена, или да е поставена така, че пароструйката да може да се използва лесно в отвесно положение, като се придвижва нагоре и надолу по дрехата.
- ◆ **ВНИМАНИЕ:** Пароструйката за дрехи е предвидена за използване в отвесно положение върху окачени дрехи. Не използвайте пароструйката върху дрехи, поставени водоравно.
- ◆ 1. Подсигурете се, че зад дрехата има достатъчно място за проветряване.
- ◆ 2. Подсигурете се, че джобовете на дрехата са празни.
- ◆ 3. Окачете дрехата на закачалка и с една ръка леко опънете дрехата.
- ◆ 4. **БЕЛЕЖКА:** препоръчва се дрехите да не се паробработват върху метални приспособления. Действайте внимателно и паробработвайте около металните приспособления.
- ◆ 5. Натиснете бутона за задействане на парата. По време на паробработката ще почувствате трептения и уредът ще издава леко жужене. Това е нещо обикновено. Извършвайте паробработката с насочен напред накрайник, в отвесно положение.
- ◆ 6. Притиснете леко четката до дрехата, като движите ръката нагоре и надолу върху гънките по тъканта.
- ◆ 7. Натиснете бутона на пароструйката, за да спрете парата.
- ◆ **БЕЛЕЖКА:** За най-добра резултатност, опъвайте тъканта по време на паробработката.
- ◆ **▲ ВНИМАНИЕ:** Пароструйката образува високи температури на парата. Не докосвайте накрайника на пароструйката и винаги насочвайте пароструйката

напред и е във водоравно положение.

- ◆ 8. При употреба на пароструйката без четка, разстоянието между накрайника и дрехата следва да бъде най-малко 5 см.

ПАРООБРАБОТКА НА ЗАВЕСИ

- ◆ 1. Изперете и изсушете завесите, според препоръчанията за съответния вид тъкан.
- ◆ 2. Качете завесите и ги обработете на място с парата.
- ◆ 3. С цел да отстраните по-лесно гънките, опъвайте леко завесата с една ръка, докато я обработвате с парата.

ПАРООБРАБОТКА НА ТАПИЦИРАНИ МЕБЕЛИ

- ◆ Вапоризаторът за дрехи може също така да бъде използвана за освежаване на тапицерии, на калъфи на мебели, както на и възглавниците по мебелите във вашата стая. Преди парообработката, винаги трябва да се направи опит върху място на тъканта, което да не се вижда.
- ◆ 2. Придържайте пароструйката в отвесно положение и при използването ѝ я движете нагоре и надолу. Обработвайте внимателно с пара платовете по Вашите мебели. Препоръчва, при обработката им с пара, възглавниците да се придържат в отвесно положение. Преди отново да ги върнете на мястото им, оставете възглавниците да се изсушат напълно.
- ◆ ВНИМАНИЕ: С цел опазване на особено деликатните тъкани, като например коприна, препоръчва се пароструйката да се използва с четка. За отстраняване на особено упорити гънки, откачете четката за плат от накрайника на пароструйката и усърдно обработете с пара избраната част на плата, докато гънките изчезнат.
- ◆ ▲ ВНИМАНИЕ: Винаги изключвайте пароструйката преди да поставите или извадите четката.
- ◆ БЕЛЕЖКА: Винаги използвайте само принадлежностите, с които се предлага пароструйката.
- ◆ БЕЛЕЖКА: Ако уредът започне да издава шум, т.е. силно жужене, и ако престане да нагнетява пара, проверете равнището на водата в резервоарчето.
- ◆ ▲ ВНИМАНИЕ: Не използвайте пароструйката пряко върху козината на животни.

СЛЕДА ПРИКЛЮЧВАНЕ РАБОТАТА С УРЕДА, НАПРАВЕТЕ СЛЕДНОТО

- ◆ Спрете уреда от бутона за включване/изключване.

- ◆ Изключете го от захранващата мрежа.
- ◆ Поставете уреда над мивката или над кофа, отворете входа на резервоарчето за вода и изпразнете съдържанието му.
- ◆ Поставете пароструйката върху основата ѝ, в отвесно положение, и я оставете да изстине.

Режим „самопочистване“

- ◆ За този режим първо следва да подготвите съд за събиране на водата. Напълнете резервоара с вода догоре, след което включете уреда. Дръжте бутона за включване натиснат в продължение на 5 секунди.. Светлината за включване ще примигне и уредът ще започне да се самопочиства. Ще започне да изпуска пръски вода. Ако желаете да спрете самопочистването, задръжте натиснат бутона за включване в продължение на 5 секунди. Светлината за „включено“ ще изгасне.

ПОЧИСТВАНЕ

- ◆ Преди почистване изключете уреда от захранващата мрежа и го оставете да изстинеа.
- ◆ Почистете уреда с влажна кърпа, напоена с няколко капки миеш препарат, след което го подсушете.
- ◆ За почистването на уреда не използвайте разтворители и препарати с киселинен или основен рН фактор, като например белина и абразивни продукти.
- ◆ Не потапяйте уреда във вода или друга течност, и не го поставяйте под течаща вода.

НЕИЗПРАВНОСТИ И ПОПРАВКА

- ◆ В случай на неизправност, моля отнесете уреда в оторизиран сервиз за техническо обслужване. Моля не се опитвайте да разглобявате уреда или пък да го поправяте - това е опасно.

За разновидностите EU на това изделие и/или в случая, приложим за Вашата страна:

Опазване на околната среда и рециклиране на изделието.

- ◆ Материалите, от които изработена опаковката на този електроуред са включени в система за тяхното събиране, класифициране и рециклиране. Ако желаете

ете да се освободите от тях, използвайте обществения контейнери, пригодени за всеки отделен вид материал.

- ◆ В изделието отсъстват концентрации на вещества, които могат да бъдат определени като вредни за околната среда.



Този символ означава, че ако желаете да се освободите от уреда след изтичане на експлоатационния му живот трябва да го предадете по подходящ начин на фирма за преработка на отпадъци, оторизирана за разделно събиране на относно отпадъци от електрическо и електронно оборудване (ОЕЕО).

Настоящият уред изпълнява Директива 2014/35/EU за ниски напрежения, Директива 2014/30/EU за електромагнитно съответствие и с Директива 2011/65/EU за ограниченията при употреба на някои определени опасни вещества в електрически и електронни апарати и с Директива 2009/125/ЕС за изискванията за екологичен дизайн, приложими към изделия, свързани с енергия.

ГАРАНЦИЯ И ТЕХНИЧЕСКИ СЕРВИЗ

Настоящият продукт има законна гаранция, в съответствие с действащото законодателство. За да упражните правата си на потребител следва да се насочите към някой от нашите оторизирани сервизи.

Най-близкия до Вас сервиз можете да откриете на следния линк: <http://www.2helpu.com/>

Също така, можете да потърсите информация, свързвайки се с нас (вижте на последната страница на наръчника).

Наръчника с указания и неговите осъвременявания можете да свалите на следния <http://www.2helpu.com/>.

België/Belgique	Stanley Black & Decker Belgium BVBA Egide Walschaertsstraat 16 2800 Mechelen	www.blackanddecker.be enduser.BE@SBDinc.com Tel - NL. +32 15 47 37 65 Tel – FR. +32 15 47 37 66
Bulgaria	Stanley Black&Decker Polska Bucharest Branch Phoenicia Business Center Turturelelor Street, No 11A, 6th Floor,Module 15, 3rd District. Bucharest (Romania)	office.bucharest@sbdinc.com Tel. +4021.320.61.04.
Česká Republika	Stanley Black & Decker Czech Republic s.r.o. Chodov Tůrkova 2319/5b 149 00 Praha 4 Česká Republika	www.blackanddecker.cz recepcie@blackanddecker.cz Tel: 261 009 782
Danmark	Stanley Black & Decker Denmark Roskildevej 22 2620 Albertslund	www.blackanddecker.dk kundeservice.dk@sbdinc.com Tel. 70 20 15 10 Fax. 70 22 49 10
Deutschland	Stanley Black & Decker Deutschland GmbH Black & Decker Str. 40, D - 65510 Idstein	www.blackanddecker.de infobfge@sbdinc.com Tel. 06126 21-0 Fax 06126 21-2980
Ελλάδα	Black & Decker Ελλάς ΕΔΡΑ-ΓΡΑΦΕΙΑ : Στράβωνος 7 & Λ. Βουλιαγμένης. 166 74 Γλυφάδα - Αθήνα SERVICE : Ημερος Τόπος 2 (Χάνι Αδάμ) - 193 00 Ασπρόπυργος	www.blackanddecker.gr Greece.Service@sbdinc.com Τηλ: 00302108981616 Φαξ: 00302108983570
España	Engineering and Technology for Life Spain Avenida Barcelona s/n 25790 Oliana (Lleida)	www.blackanddecker.es service.spain@etforlife.com
France	Engineering and Technology for Life France 6 rue de l'Industrie Z.I des Sablons 89100 Sens	www.blackanddecker.fr service.france@etforlife.com
Helvetia	ROFO AG Gewerbezone Seeblick 3213 Kleinbödingen	www.blackanddecker.ch service@rofoag.ch Tel. 026 674 93 93 Fax 026 674 93 94
Hungary	Stanley Black & Decker Hungary Kft. Meszaros u. 58/B 1016 Budapest (Hungary)	www.blackanddecker.hu Tel: 1.6 225-1661 / 62
Italia	Stanley Black & Decker Italia Via Energypark 6 c/o Energypark Building 3 sud 20871 Vimercate (MB)	www.blackanddecker.it service.italia@blackanddecker.com Tel. 800-213935 Fax 039-9590313
Nederland	Stanley Black & Decker Netherlands BV Holtum Noordweg 35 6121 RE BORN Postbus 83. 6120 AB BORN	www.blackanddecker.nl enduser.NL@SBDinc.com Tel. +31 164 283 065 Fax +31 164 283 200
Norge	Stanley Black & Decker Norway AS Gullhaugveien 11, 0484 Oslo PB 4613, Nydalen, 0405 Oslo	www.blackanddecker.no kundeservice.no@sbdinc.com Tlf. 22 90 99 10 Fax 45 25 08 00

Österreich	Stanley Black & Decker Austria GmbH Oberlaaerstraße 248, A-1230 Wien	www.blackanddecker.at service.austria@sbdinc.com Tel. 01 66116-0 Fax 01 66116-614
Polska	Stanley Black & Decker Polska SP.z.o.o ul. Postepu 21D 02-676 Warszawa Polska	www.blackanddecker.pl reception.warsaw@sbdinc.com Tel: 22 4642700
Portugal	Engineering and Technology for Life Portugal Avenida Rainha D. Amélia, nº12-B 1600-677 Lisboa	www.blackanddecker.pt service.portugal@efforlife.com
Romania	Stanley Black&Decker Polska Bucharest Branch Phoenicia Business Center Turturelelor Street, No 11A, 6th Floor,Module 15, 3rd District. Bucharest (Romania)	office.bucharest@sbdinc.com Tel. +4021.320.61.04.
Slovenija	G-M&M, proizvodnja in marketing, d.o.o. Brvace 11 1290 Grosuplje (Slovenija)	G-M&M, proizvodnja in marketing, d.o.o. Brvace 11 1290 Grosuplje (Slovenija)
Suomi	Stanley Black & Decker Finland Oy Kumpulantie 13B, 00520 Helsinki PL 47, 00521 Helsinki	www.blackanddecker.fi asiakaspalvelu.fi@sbdinc.com Puh. 010 400 43 33 Faksi 0800 411 340
Sverige	Stanley Black & Decker Sweden AB Flöjelbergsgatan 1c, 431 35 Mölndal Box 94, 431 22 Mölndal	www.blackanddecker.se kundservice.se@sbdinc.com Tel. 031-68 60 60 Fax 031-68 60 80
United Kingdom & Republic Of Ireland	"Black & Decker Slough, Berkshire SL1 3YD 210 Bath Road "	www.blackanddecker.co.uk emeaservice@sbdinc.com Tel. 01753 511234

