

Drawing



Tools for Chefs

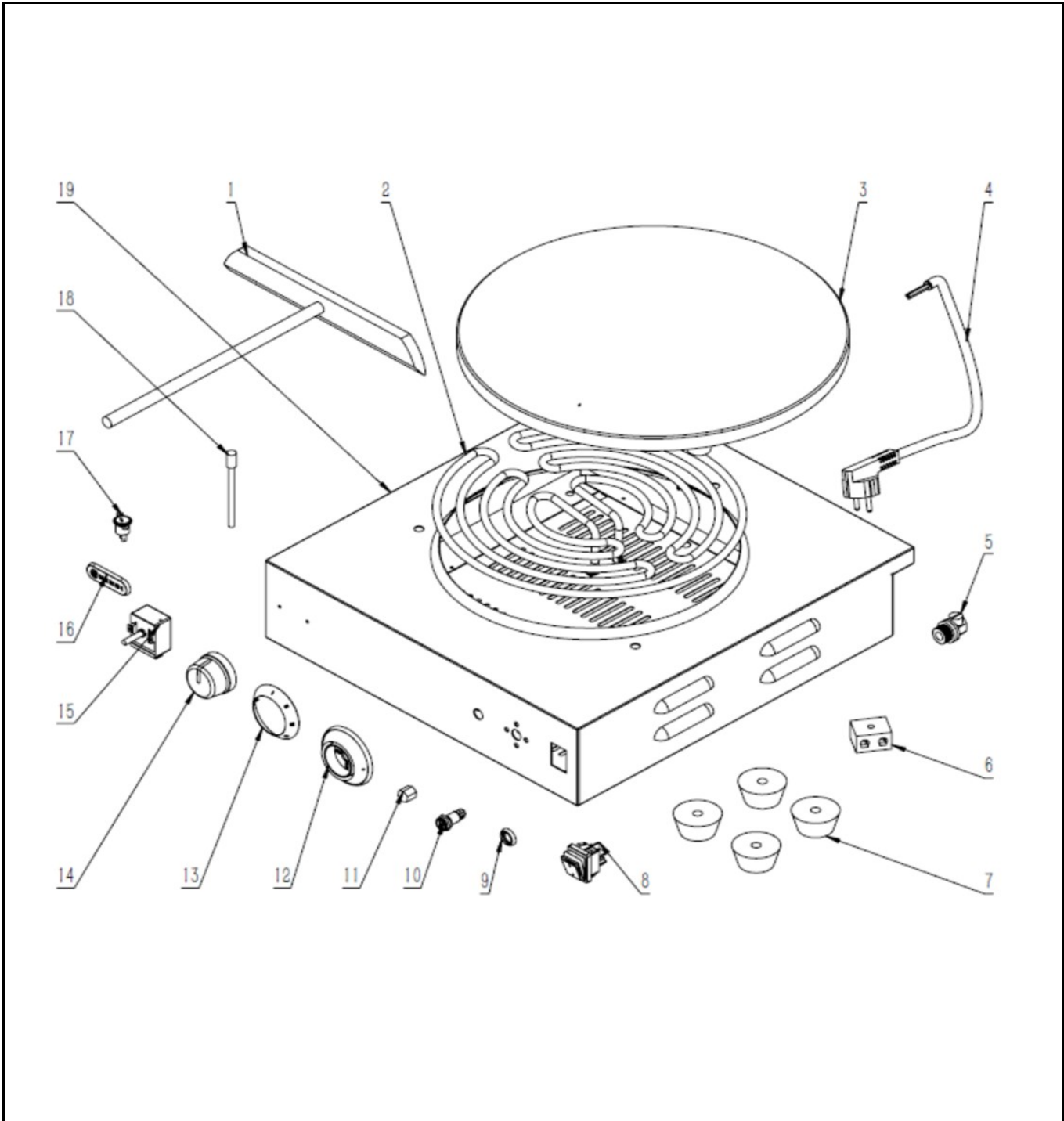
Hendi B.V.
Steenoven 21
3911 TX Rhenen
The Netherlands

Batch #
HK035919 and
up

Appliance part#
212028

Description
Crêpe maker

Date	07-05-2021	Revision #	1.0
Revision	First Bill of Materials (BOM)		



Circuit diagram



HENDI

Tools for Chefs

Hendi B.V.

Steenoven 21
3911 TX Rhenen
The Netherlands

Batch #

HK035919 and
up

Appliance part#

212028

Description

Crêpe maker

Date 07-05-2021

Revision # 1.0

Revision First Bill of Materials (BOM)

