

Drawing



Tools for Chefs

Hendi B.V.
 Steenoven 21
 3911 TX Rhenen
 The Netherlands

Batch #

000000 and up

Appliance part#

220290

Description

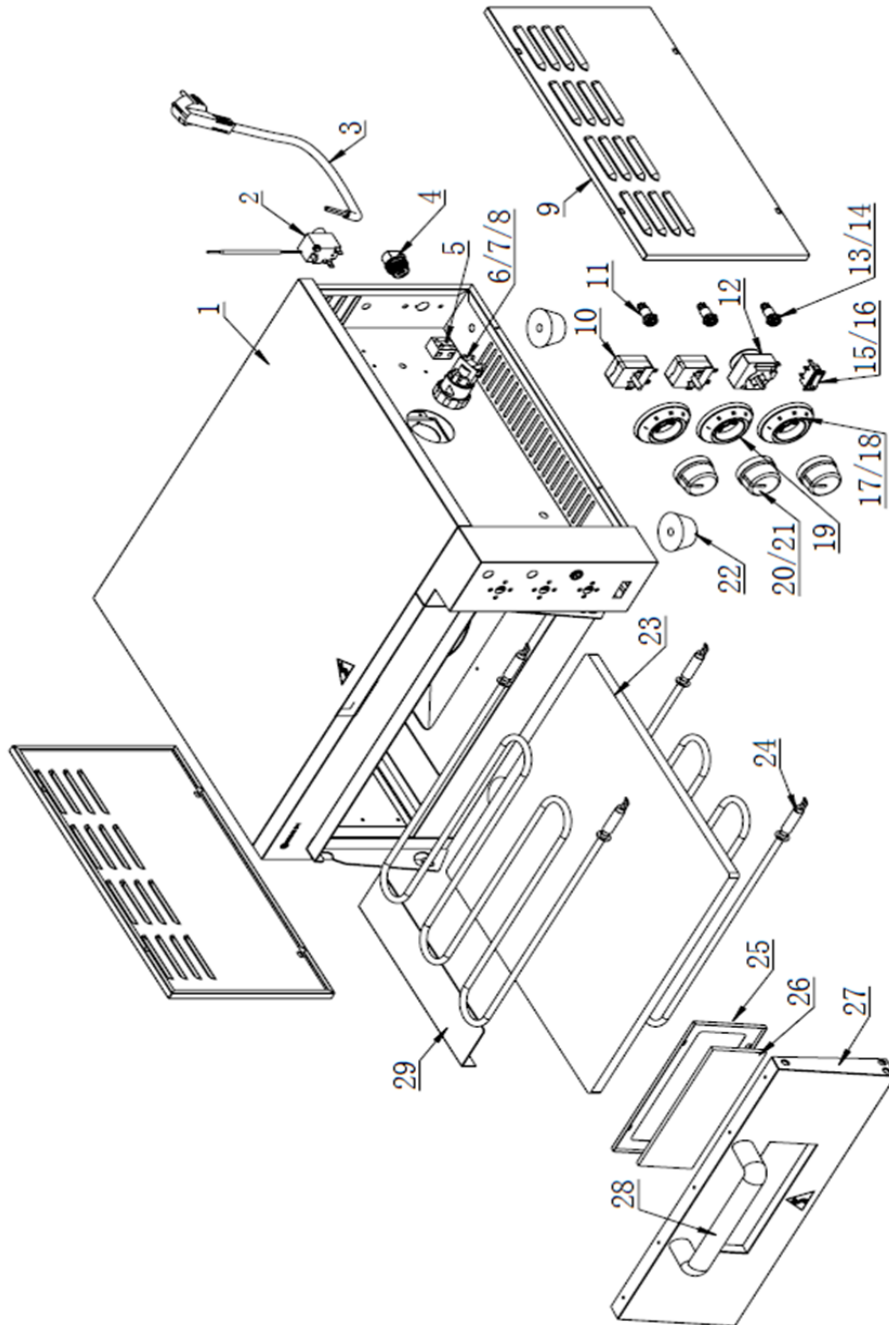
Pizza oven 1 tier

Date 08-09-2022


Revision #

1.0

Revision First Bill of Materials (BOM)



Bill of materials (BOM)

| | | |
|--|--------------------------|------------------------|
|  <b style="font-size: 24px; margin-left: 10px;">HENDI Tools for Chefs Hendi B.V. Steenoven 21 3911 TX Rhenen The Netherlands | Batch # | Appliance part# |
| | 000000 and up | 220290 |
| | Description | |
| | Pizza oven 1 tier | |


| | | | |
|-----------------|-------------------------------|-------------------|-----|
| Date | 08-09-2022 | Revision # | 1.0 |
| Revision | First Bill of Materials (BOM) | | |

| Item | Description | Part# | Quantity | Remark | Picture |
|------|--|--------|----------|--------------------------------|---------|
| 1 | Frame | n/a | 1 | | |
| 2 | Hi-limiter | 956069 | 1 | | |
| 3 | Power cord | 912027 | 1 | | |
| 4 | Cord inlet with retention | 912201 | 1 | | |
| 5 | Terminal | 929940 | 1 | | |
| 6 | Lamp gasket | nss | 1 | | |
| 7 | Lamp fitting | nss | 1 | | |
| 8 | Chamberlight assembly | 956076 | 1 | Incl. item 6 and 7 | |
| * | Ovenlamp (heat resistant, E14 230V, 15W) | 904974 | 1 | Universal incandescence bulb | |
| 9 | Housing panel | n/a | 2 | | |
| 10 | Thermostat | 956083 | 2 | | |
| 11 | Indicator light (orange) | 930533 | 2 | Incl. item 14 | |
| 12 | Timer | 942932 | 1 | | |
| 13 | Indicator light (green) | 942925 | 1 | Incl. item 14 | |
| 14 | O-ring indicator lights | nss | 1 | Available as 930533 and 942925 | |
| 15 | Chamber light switch | 956090 | 1 | Incl. item 16 | |
| 16 | Chamber light switch cover | nss | 1 | Available as **15** | |
| 17 | Graduation ring (timer) | nss | 1 | Available as 952221 | |
| 18 | Groundplate | nss | 3 | Available as 952221 and 955901 | |
| 19 | Graduation ring (thermostat) | nss | 2 | Available as 955901 | |
| 20 | Knob timer | 952221 | 1 | Incl. item 17 and 18 | |
| 21 | Knob thermostat | 955901 | 2 | Incl. item 18 and 19 | |
| 22 | Feet | 956977 | 4 | Set of 4 | |
| 23 | Refractory stone | 956984 | 1 | | |
| 24 | Heating element | 956991 | 2 | | |
| 25 | Door glass cover | n/a | 1 | | |
| 26 | Door glass | n/a | 1 | | |
| 27 | Door | n/a | 1 | | |
| 28 | Door handle | 958377 | 1 | | |
| 29 | Bracket | n/a | 1 | | |
| | | | | | |
| | | | | | |

n/a -> not available

nss -> not sold separately

Circuit diagram

| | | |
|--|--------------------|------------------------|
|  <b style="font-size: 2em; margin-left: 10px;">HENDI Tools for Chefs Hendi B.V. Steenoven 21 3911 TX Rhenen The Netherlands | Batch # | Appliance part# |
| | 000000 and up | 220290 |
| | Description | |
| | Pizza oven 1 tier | |

| | | | |
|-----------------|-------------------------------|-------------------|-----|
| Date | 08-09-2022 | Revision # | 1.0 |
| Revision | First Bill of Materials (BOM) | | |

