

Drawing



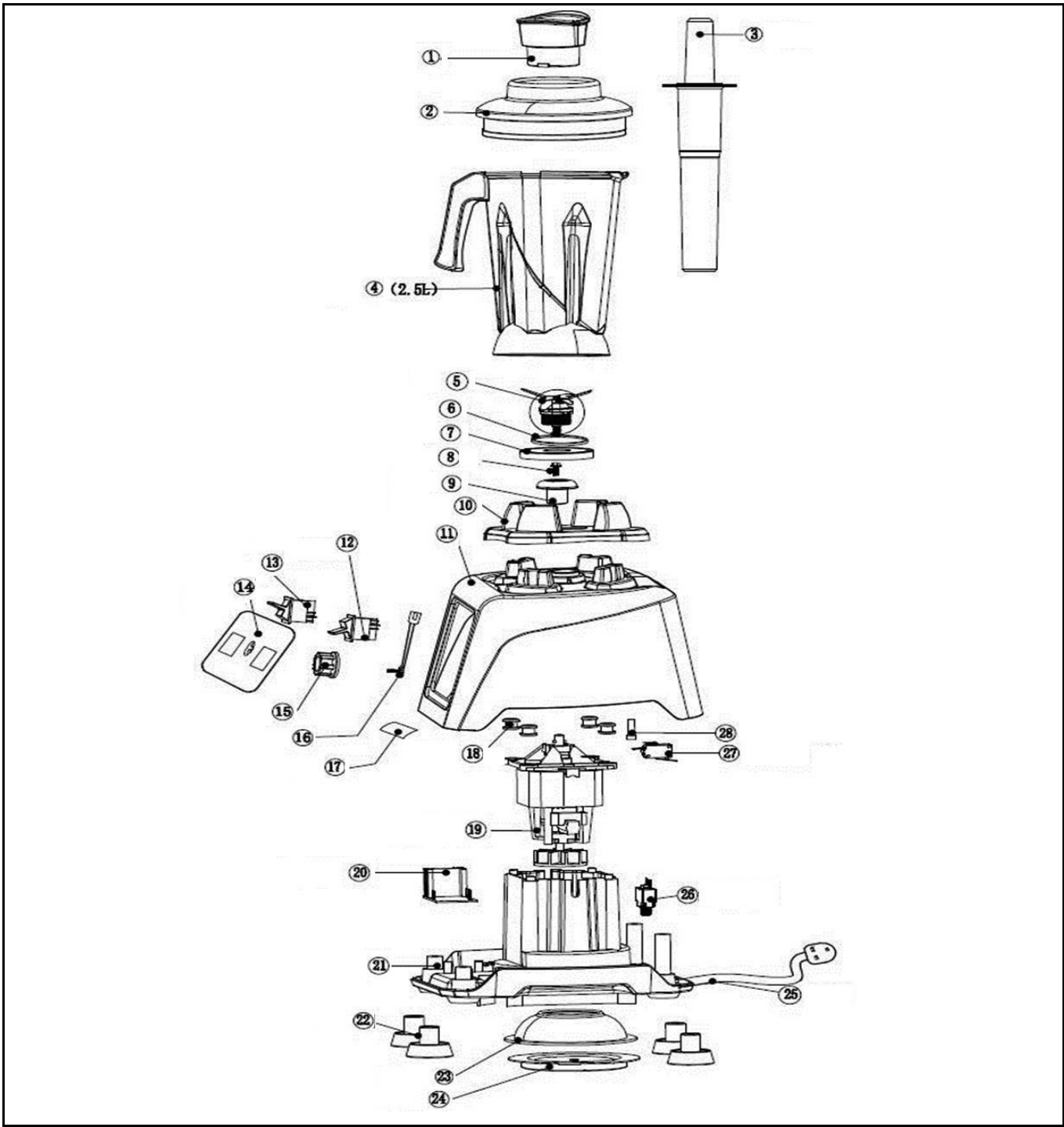
Hendi B.V.
 Steenoven 21
 3911 TX Rhenen
 The Netherlands

Batch #
 500675 and up


Appliance part#
 230718

Description
 Blender 2,5L

Date	24-08-2018	Revision #	Revision version
Revision	First bill of materials (BOM)		



Bill of materials (BOM)

 HENDI <small>FOOD SERVICE EQUIPMENT</small> Hendi B.V. Steenoven 21 3911 TX Rhenen The Netherlands	Batch #	Appliance part#
	500675 and up	230718
	Description	
Blender 2,5L		


Date	24-08-2018	Revision #	Revision version
Revision	First bill of materials (BOM)		

Item	Description	Part#	Quantity	Remark	Picture
1	Transparant cap	nss	1	Available as 933787	
2	Lid complete	933787	1	Incl. item 1	
3	Stick	933794	1		
4	Jug complete	933688	1	Incl. item 1,2,4,5,6,7.	
5	Cutting unit	933800	1		
6	Sealing nut cutting unit	933817	1		
7	Nut	933824	1		
8	Screw M4x6	nss	1	Available in 933831	
9	Clutch	933831	1	Incl. item 8	
10	Jug holder	933848	1		
11	Housing	n/a	1		
12	Puls switch	917091	1		
13	On/off switch	917060	1		
14	Display panel	n/a	1		
15	Knob potentiometer	933893	1		
16	Potentiometer	933909	1		
17	Warning label	n/a	1		
18	Dampers	nss	4	Available in 933916	
19	Motor	933916	1	Incl. item 18	
20	Main pcb	933855	1		
21	Inner housing	n/a	1		
22	Feet	933862	4	Sold per pcs	
23	Air deflector	n/a	1		
24	Cover air deflector	n/a	1		
25	Power cord	933923	1		
26	Overload protector	933930	1		
27	Microswitch	207093	1		
28	Pin	n/a	1		
*	Net filter PCB	946176	1	*Not shown on exploded view	

n/a -> not available

nss -> not sold separately

Circuit diagram

 HENDI FOOD SERVICE EQUIPMENT Hendi B.V. Steenoven 21 3911 TX Rhenen The Netherlands	Batch #	Appliance part#
	500675 and up	230718
	Description	
	Blender 2,5L	

Date	24-08-2018	Revision #	Revision version
Revision	First bill of materials (BOM)		

