

Apach

COOK *Line*

Catalogo parti di ricambio valido
dalla matricola 0000001 (31.10.2006) ad oggi (16.02.2023)

Catalogue pieces detachees
valable à partir du numero de Série n. 0000001 (31.10.2006) jusqu'à aujourd'hui
(16.02.2023)

Ersatzteilkatalog
gültig ab Serien-Nr. 0000001 (31.10.2006) bis heute (16.02.2023)

Spare parts catalogue
valid from serial no. 0000001 (31.10.2006) up today (16.02.2023)

Catálogo de peças de reposição
válido do número de série 0000001 (31.10.2006) até hoje (16.02.2023)

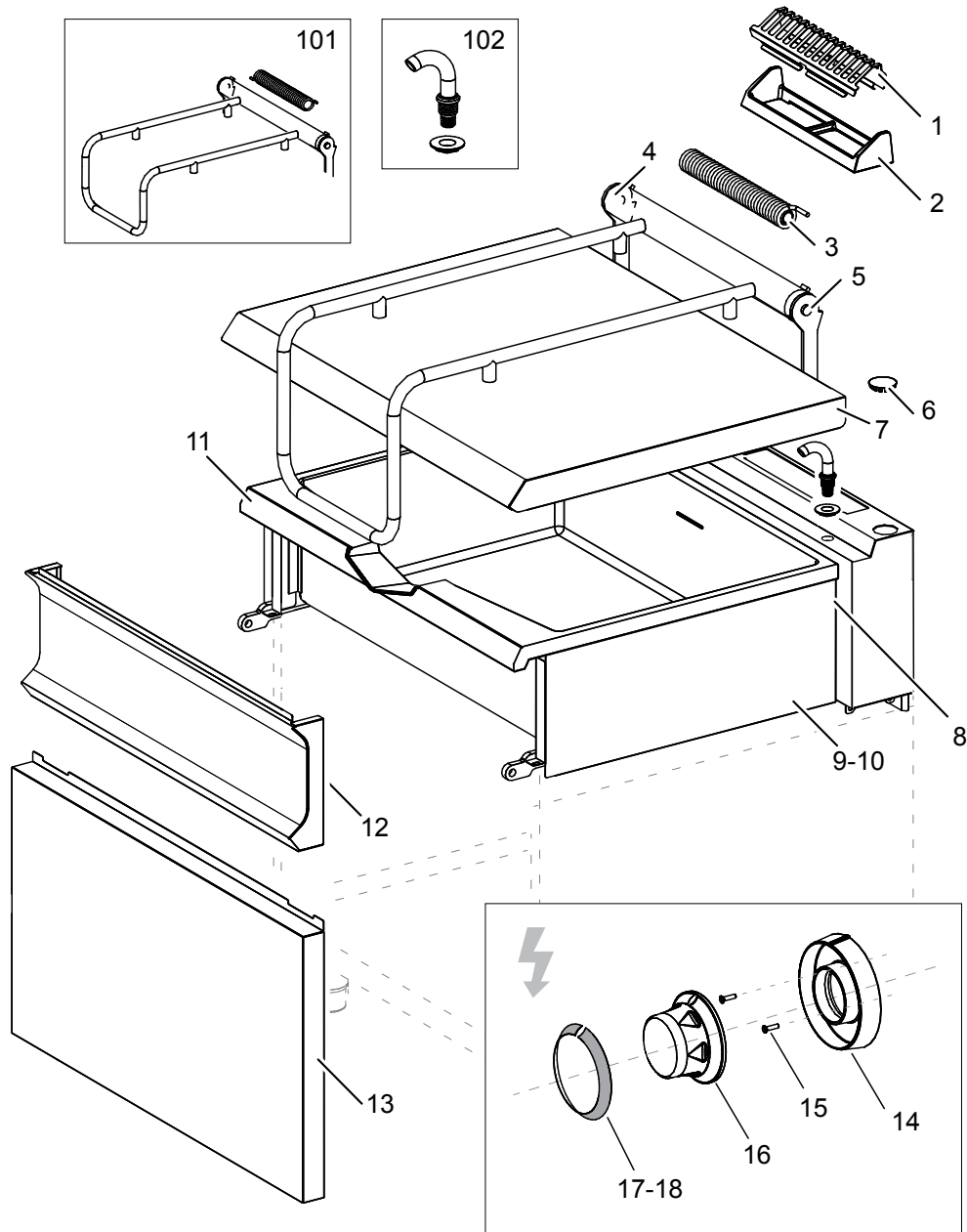
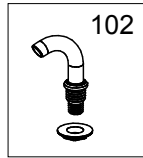
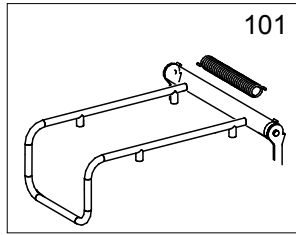
Le informazioni sono considerate non vincolanti. Le immagini rappresentate sono puramente indicative. Il produttore si riserva il diritto di apportare modifiche in qualsiasi momento senza preavviso.

Les informations données ne sont pas contraignantes. Les images montrées sont à titre indicatif. Le producteur se réserve le droit d'apporter des modifications sans préavis.

Die im vorliegenden Dokument aufgeführten Informationen und Bilder sind unverbindlich. Der Hersteller behält sich das Recht vor, jederzeit ohne vorherige Ankündigung Änderungen vorzunehmen

Info and drawing could be slightly different from reality and they cannot be considered as compelling. Manufacturer can modify info anytime without forewarning.

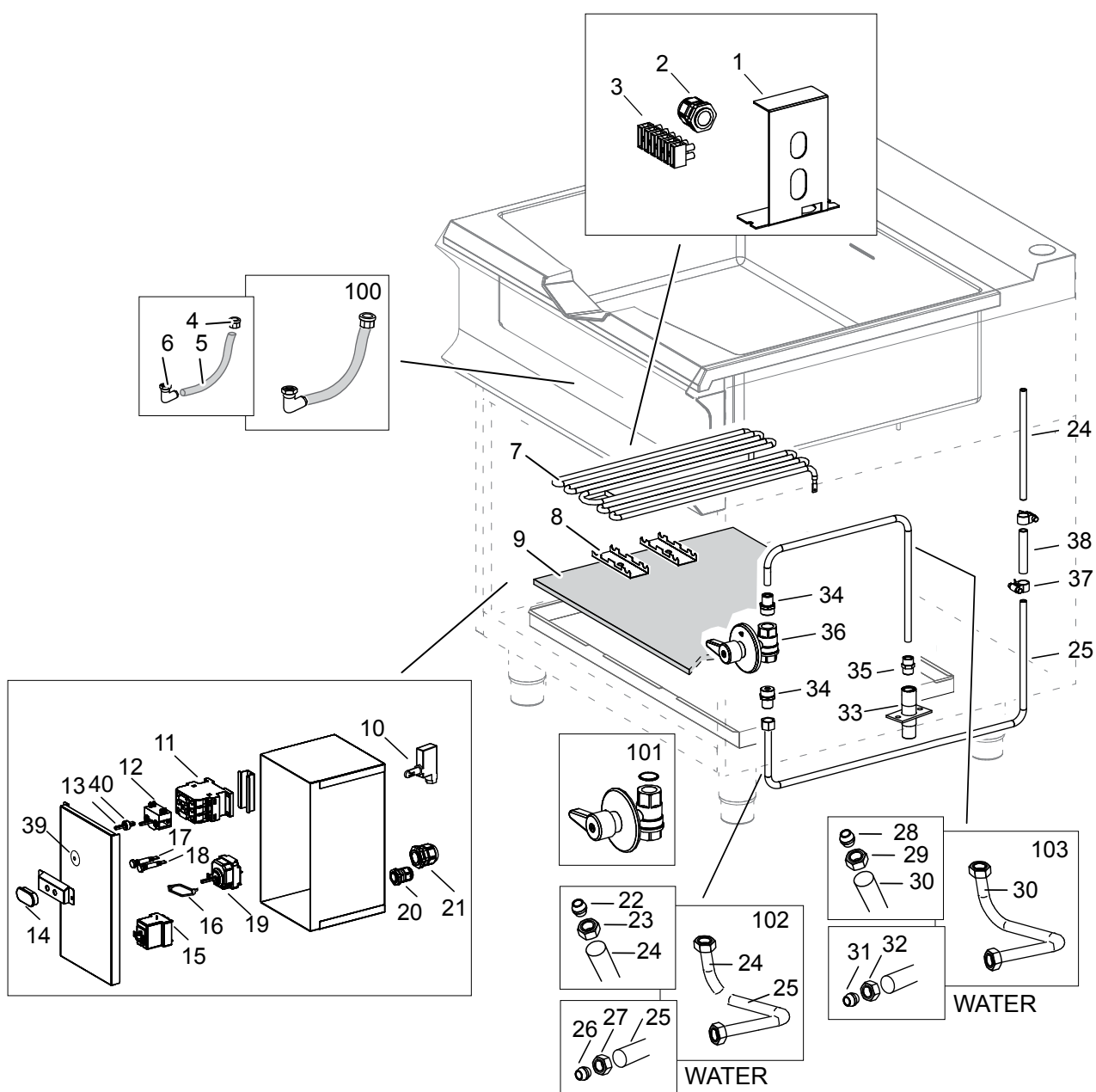
As Informações e desenhoS podem estar um pouco diferente da realidade e são puramente indicativas. O fabricante pode modificar estas informações a qualquer momento sem aviso prévio.



Nr.	Code	Title	Recommended
1.	202046	CHIMNEY GRILL	
3.	RTBF800103	HINGE SPRING	✓
4.	203768	LEFT HINGE TERMINAL	
5.	203769	RIGHT HINGE TERMINAL	
7.	184297	COVER	
8.	183005	REAR BATH FAIRING	
9.	183004	LEFT TANK FAIRING	
10.	183003	RIGHT SIDE PANEL	
11.	182978	S/STEEL TANK GBR908/EBR908	
12.	204352	CONTROL PANEL	
13.	204353	FRONT PANEL	
16.	202200	COMMUTATOR KNOB	
17.	200488	THERMOSTAT RING	
100.	ECS9015	RECOMMENDED PARTS FOR BRE98A	
101.	RIC0005116	COMPLETE HINGE	
102.	167439	WATER EROGATOR	

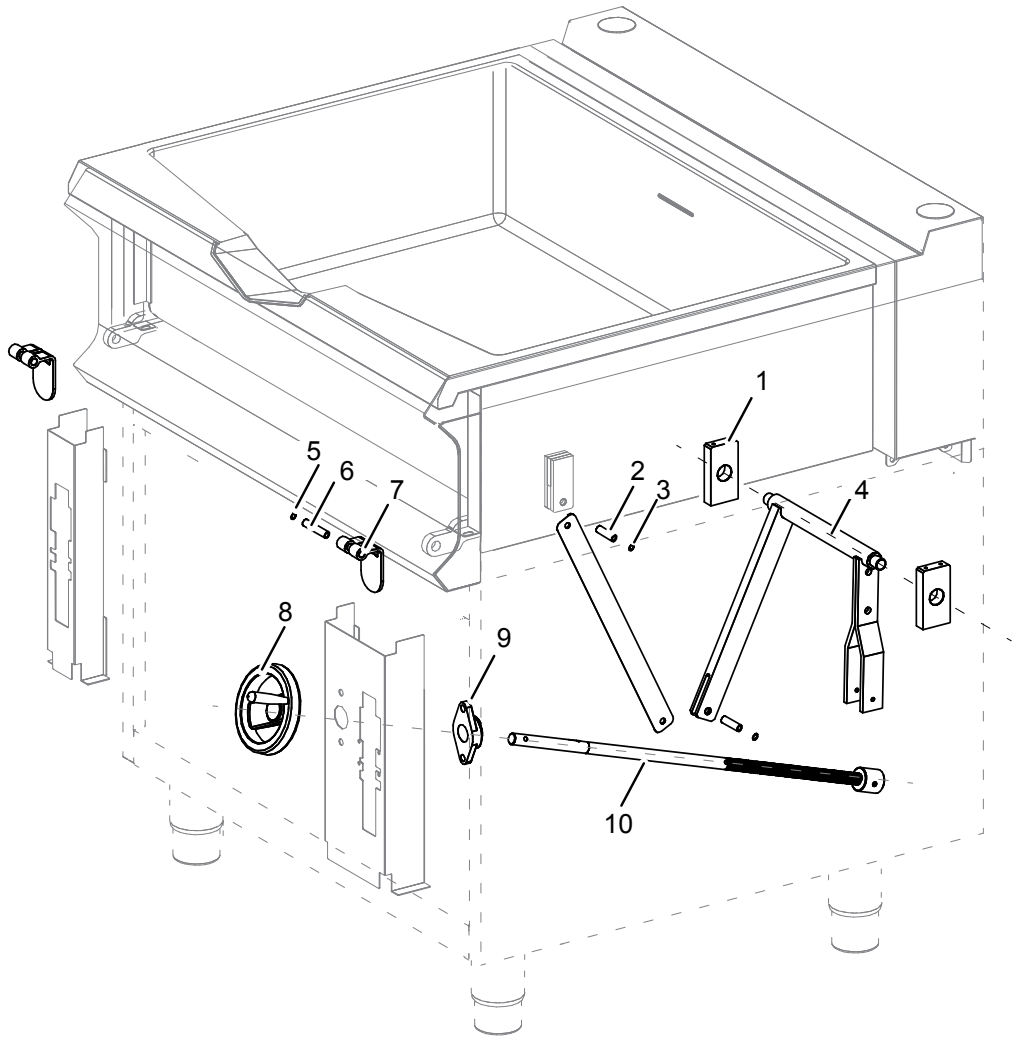


Nr.	Code	Title	Recommended
6.	201347	<i>BACK SIDE</i>	
7.	201346	<i>LOWER BACK SIDE</i>	
8.	203992	<i>RIGHT SIDE</i>	
9.	203993	<i>LEFT SIDE</i>	
13.	RTCU700277	<i>FOOT</i>	



Nr.	Code	Title	Recommended
1.	201355	TERMINAL BLOCK SUPPORT	
2.	RTBF800138	CHOCK	
3.	RTBF900045	TERMINAL BOARD	
4.	173143	SLEEVE	
5.	173141	SHEATH	
6.	173142	CRANK	
7.	182342	HEATING ELEMENT 2KW	✓
8.	PABF900131	PLATE	
9.	166026	INSULATING PANEL	
10.	175286	MICRO SWITCH -UL-	✓
11.	177040	RELAIS	✓
12.	RTCU900110	THERMOSTAT COMMUTATOR	✓
13.	187364	ROD EXTENSION	
14.	180779	DISPLAY	
15.	RTBF800076	SAFETY THERMOSTAT	✓
16.	RTCU900112	HIGH BRACKET COMMUTATOR/THERMOSTAT	✓
17.	166466	ORANGE LAMP LIGHT	✓
18.	166465	GREEN WARNING LIGHT	✓
19.	RTCU700085	WORKING THERMOSTAT	✓
20.	RTBF700021	CABLE PRESS WITH NUT	
21.	RTBF800138	CHOCK	
22.	RTCU900012	BICONE D.10	✓
23.	RTCU900013	NUT D.10 HEIGHT H. 14 MM	✓
24.	183011	ALIMENTATION PIPE FOR WATER EROGATOR	
25.	182824	ALIMENTATION PIPE FOR WATER TAP	
26.	RTCU900012	BICONE D.10	✓
27.	RTCU900013	NUT D.10 HEIGHT H. 14 MM	✓
28.	RTCU900012	BICONE D.10	✓
29.	RTCU900013	NUT D.10 HEIGHT H. 14 MM	✓
30.	183012	ALIMENTATION PIPE FOR WATER TAP	
31.	RTCU900012	BICONE D.10	✓
32.	RTCU900013	NUT D.10 HEIGHT H. 14 MM	✓
33.	180550	WATER CONNECTION	

34.	RTCU900132	NIPPLE 1/2"- 3/8"	
35.	RTCU900103	NIPPLE 3/8"	✓
36.	RTCU600075	WATER FILLING TAP	✓
37.	RTMIN00304	CLAMP, TU.MINUS D14X22X10 I.	
38.	165791	SILICON PIPE	
39.	RTCU800185	GASKET FOR COMMUTATOR ROD	✓
40.	187365	ROD EXTENSION STOP	
100.	RIC0005117	SHEATH KIT	
101.	RTCU600075	WATER FILLING TAP	✓
102.	RIC0005182	FEED TUBE KIT WATER TAP	
103.	RIC0005181	FEED TUBE KIT DISPENSER	



Nr.	Code	Title	Recommended
1.	RTCU700512	TILTER SUPPORT	
2.	RTBF900096	EXTENSION FIXING PIN	
3.	RTMIN00123	EXTERNAL SEEGER E10	
4.	RTCU700509	TILTER	
5.	RTMIN00293	EXTERNAL SEEGER E12	
6.	RTCU700503	FRONT HINGE PIN	
7.	174580	FRONT HINGE	
8.	165900	HANDWHEEL	✓
9.	RTCU700504	BEARING	
10.	182078	TILTER SCREW + SLEEVE	