



# FOOD-PROCESSOR K-41

Compact bowl cutter. 1 speed.



## SALES DESCRIPTION

Compact ACTIVE line. 1-speed motor block + 4,4 l cutter bowl.

### Efficiency and performance.

- ✓ 4.4 l-bowl equipped with lateral stirrer and high shaft for larger production capacity.
- ✓ Transparent polycarbonate lid equipped with hole to add ingredients in use.
- ✓ Lid complete with gasket to avoid product overflowing.
- ✓ Homogeneous and fine mixing result thanks to the lateral stirrers and invert-blade technology.
- ✓ The lateral stirrers avoid product overheating.
- ✓ Very uniform finish due to the movement generated the special position of the cutting edges.
- ✓ Depending on usage, optional smooth or perforated blades available.
- ✓ Optional vegetable slicer attachment available.

### Built to last

- ✓ Sturdy construction in food-grade best quality materials.
- ✓ High power asynchronous motor.

### Maximum comfort for the user

- ✓ Cutter bowl equipped with ergonomic handle.
- ✓ The electronic command panel is very intuitive.
- ✓ Recessed cord relief allowing flush against wall operation

### Maintenance, safety, hygiene

- ✓ Safety microswitches in the position of the bowl and the lid.
- ✓ Complete error warning system.
- ✓ Appliance certified by NSF International (regulations on hygiene, cleaning and materials suitable for contact with foods).
- ✓ 100% tested.

## INCLUDES

- ✓ 1-speed motor block.
- ✓ Cutter bowl with toothed blades.

## OPTIONAL

- Hub with smooth blades.
- Vegetable slicer attachment.
- Hub with perforated blades.

## ACCESSORIES

- Cutter bowl (Compact line)
- Hubs with blades (Compact)

## SPECIFICATIONS

Bowl capacity: 4.4 l  
 Max. product capacity: 2.5 Kg  
 Maximum capacity (liquid): 2.4 l  
 Bowl dimensions: Ø193 mm x 161 mm  
 Total loading: 800 W  
 Speed, min-max: 1500 rpm

### External dimensions (WxDxH)

- ✓ Width: 252 mm
  - ✓ Depth: 309 mm
  - ✓ Height: 434 mm
- Net weight: 14.2 Kg

### Crated dimensions

285 x 385 x 695 mm  
 Volume Packed: 0.08 m<sup>3</sup>  
 Gross weight: 18.4 Kg

## AVAILABLE MODELS

1050980	Cutter K-41 230/50/1
1050986	Cutter K-41 220/60/1
1050992	Cutter K-41 120/60/1

\* Ask for special versions availability

DYNAMIC PREPARATION  
CUTTER-MIXERS & EMULSIFIERS

product sheet  
updated 06/10/2022



SAMMIC, S.L.  
Bassate, 1 - 20729 Azzio (MI)  
www.sammic.com

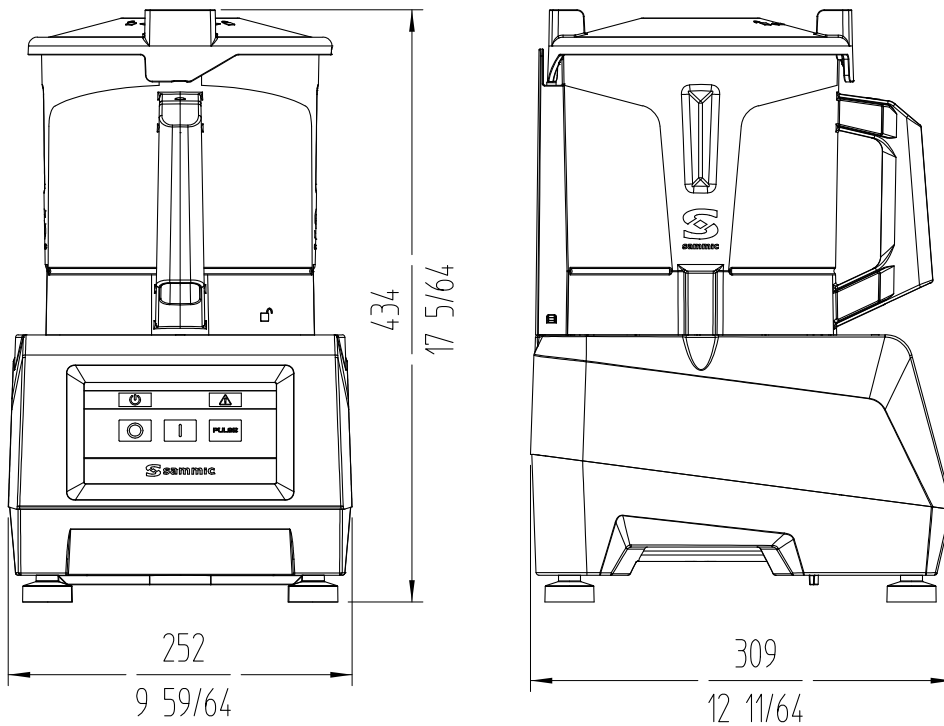


# FOOD-PROCESSOR K-41

Compact bowl cutter. 1 speed.



DYNAMIC PREPARATION  
CUTTER-MIXERS & EMULSIFIERS



 **sammic** | [www.sammic.com](http://www.sammic.com)  
Food Service Equipment Manufacturer

Polígono Basarte, 1. phone +34 943 15 72 36  
20720 Azkoitia, Spain [sales@sammic.com](mailto:sales@sammic.com)



Project	Date
Item	Qty
Approved	

product sheet  
updated 06/10/2022