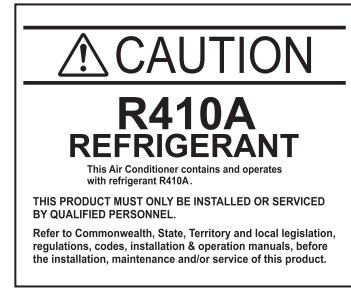


AIR CONDITIONER OUTDOOR UNIT



INSTALLATION MANUAL

For authorized personnel only.

English

INSTALLATIONSANLEITUNG

Nur für autorisiertes Personal.

Deutsch

MANUEL D'INSTALLATION

Pour le personnel agréé uniquement.

Français

MANUAL DE INSTALACIÓN

Solo para personal autorizado.

Español

MANUALE D'INSTALLAZIONE

Ad uso esclusivo del personale autorizzato.

Italiano

ΕΓΧΕΙΡΙΔΙΟ ΕΓΚΑΤΑΣΤΑΣΗΣ

Για εξουσιοδοτημένο προσωπικό σέρβις.

Ελληνικά

MANUAL DE INSTALAÇÃO

Apenas para técnicos autorizados.

Português

РУКОВОДСТВО ПО УСТАНОВКЕ

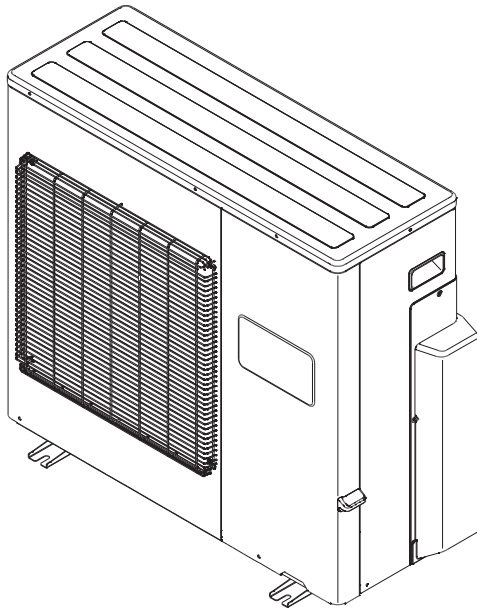
Для уполномоченного персонала.

Русский

MONTAJ KILAVUZU

Yetkili servis personeli içindir.

Türkçe



INSTALLATION MANUAL


PART NO. 9374872121-03

Contents


1. SAFETY PRECAUTIONS	1
2. ABOUT THE PRODUCT	
2.1. Precautions for using R410A refrigerant	1
2.2. Special tools for R410A	2
2.3. Accessories	2
2.4. System configuration	2
3. INSTALLATION WORK	
3.1. Selecting an installation location	3
3.2. Drain installation	3
3.3. Installation dimensions	3
3.4. Transportation of the unit	4
3.5. Installation of the unit	4
4. PIPE INSTALLATION I	
4.1. Flare connection (pipe connection)	4
5. ELECTRICAL WIRING	
5.1. The precautions of electrical wiring	5
5.2. Electrical requirement	6
5.3. Unit wiring	6
5.4. Connection diagrams	6
5.5. Outdoor unit	6
6. PIPE INSTALLATION II	
6.1. Vacuum	7
6.2. Additional charging	7
7. POWER	8
8. TEST RUN	
8.1. Make a TEST RUN in accordance with the installation Manual for the indoor unit	8
8.2. Outdoor unit LEDES	8
9. PUMP DOWN	8

1. SAFETY PRECAUTIONS

Be sure to read this Manual thoroughly before installation. The warnings and precautions indicated in this Manual contain important information pertaining to your safety. Be sure to observe them. Hand this Manual, together with the Operating Manual, to the customer. Request the customer to keep them on hand for future use, such as for relocating or repairing the unit. After installation, explain correct operation to the customer, using the operating manual.


 WARNING	This mark indicates procedures which, if improperly performed, might lead to the death or serious injury of the user.
Never touch electrical components immediately after the power supply has been turned off. Electrical shock may occur. After turning off the power, always wait 5 minutes or more before touching electrical components.	
Request your dealer or a professional installer to install the indoor unit in accordance with this Installation Manual. An improperly installed unit can cause serious accidents such as water leakage, electric shock, or fire. If the indoor unit is installed in disregard of the instructions in the Installation Manual, it will void the manufacturer's warranty.	
Do not turn ON the power until all work has been completed. Turning ON the power before the work is completed can cause serious accidents such as electric shock or fire.	
If refrigerant leaks while work is being carried out, ventilate the area. If the refrigerant comes in contact with a flame, it produces a toxic gas.	
Installation work must be performed in accordance with national wiring standards by authorized personnel only.	
Do not use this equipment with air or any other unspecified refrigerant in the refrigerant lines. Excess pressure can cause a rupture.	
During installation, make sure that the refrigerant pipe is attached firmly before you run the compressor. Do not operate the compressor under the condition of refrigerant piping not attached properly with 2-way or 3-way valve open. This may cause abnormal pressure in the refrigeration cycle that leads to rupture and even injury.	
When installing and relocating the air conditioner, do not mix gases other than the specified refrigerant (R410A) to enter the refrigerant cycle. If air or other gas enters the refrigerant cycle, the pressure inside the cycle will rise to an abnormally high value and cause rupture, injury, etc.	
For the air conditioner to operate satisfactorily, install it as outlined in this installation manual.	
Connect the indoor unit and outdoor unit with the air conditioner piping and cable available standards parts. This installation manual describes the correct connections using the installation set available from our standard parts.	
Also, do not use an extension cable.	
Do not purge the air with refrigerants but use a vacuum pump to vacuum the installation.	
There is not extra refrigerant in the outdoor unit for air purging.	
Use a vacuum pump for R410A exclusively.	

Using the same vacuum pump for different refrigerants may damage the vacuum pump or the unit.
Use a clean gauge manifold and charging hose for R410A exclusively.
During the pump-down operation, make sure that the compressor is turned off before you remove the refrigerant piping. Do not remove the connection pipe while the compressor is in operation with 2 way or 3 way valve open. This may cause abnormal pressure in the refrigeration cycle that leads to rupture and even injury.

 CAUTION	This mark indicates procedures which, if improperly performed, might possibly result in personal harm to the user, or damage to property.
Read carefully all security information before use or install the air conditioner.	
Do not attempt to install the air conditioner or a part of the air conditioner by yourself.	
This unit must be installed by qualified personnel with a capacity certificate for handling refrigerant fluids. Refer to regulation and laws in use on installation place.	
The installation must be carried out in compliance with regulations in force in the place of installation and the installation instructions of the manufacturer.	
This unit is part of a set constituting an air conditioner. It must not be installed alone or with non-authorized by the manufacturer.	
Always use a separate power supply line protected by a circuit breaker operating on all wires with a distance between contact of 3mm for this unit.	
The unit must be correctly grounded and the supply line must be equipped with a differential breaker in order to protect the persons.	
The units are not explosion proof and therefore should not be installed in explosive atmosphere.	
This unit contains no user-serviceable parts. Always consult authorized service personnel to repairs.	
When moving, consult authorized service personnel for disconnection and installation of the unit.	
Children should be monitored to ensure they do not play with the device.	
This appliance is not intended for use by persons (including children) with reduced physical, sensory or mental capabilities, or lack of experience and knowledge, unless they have been given supervision or instruction concerning use of the appliance by a person responsible for their safety. Children should be supervised to ensure that they do not play with the appliance.	

2. ABOUT THE PRODUCT

2.1. Precautions for using R410A refrigerant

 WARNING
The basic installation work procedures are the same as conventional refrigerant models. However, pay careful attention to the following points:
<ul style="list-style-type: none"> Since the working pressure is 1.6 times higher than that of conventional refrigerant (R22) models, some of the piping and installation and service tools are special. (See the table below.) Especially, when replacing a conventional refrigerant (R22) model with a new refrigerant R410A model, always replace the conventional piping and flare nuts with the R410A piping and flare nuts. Models that use refrigerant R410A have a different charging port thread diameter to prevent erroneous charging with conventional refrigerant (R22) and for safety. Therefore, check beforehand. [The charging port thread diameter for R410A is 1/2 UNF 20 threads per inch.] Be careful that foreign matter (oil, water, etc.) does not enter the piping than with refrigerant models. Also, when storing the piping, securely seal the openings by pinching, taping, etc. When charging the refrigerant, take into account the slight change in the composition of the gas and liquid phases. And always charge from the liquid phase where refrigerant composition is stable.

2.2. Special tools for R410A

Tool name	Contents of change
Gauge manifold	Pressure is high and cannot be measured with a conventional gauge. To prevent erroneous mixing of other refrigerants, the diameter of each port has been changed. It is recommended the gauge with seals -0.1 to 5.3 MPa (-1 to 53 bar) for high pressure. -0.1 to 3.8 MPa (-1 to 38 bar) for low pressure.
Charge hose	To increase pressure resistance, the hose material and base size were changed.
Vacuum pump	A conventional vacuum pump can be used by installing a vacuum pump adapter.
Gas leakage detector	Special gas leakage detector for HFC refrigerant R410A.

Copper pipes

It is necessary to use seamless copper pipes and it is desirable that the amount of residual oil is less than 40 mg/10 m. Do not use copper pipes having a collapsed, deformed or discolored portion (especially on the interior surface). Otherwise, the expansion valve or capillary tube may become blocked with contaminants.

As an air conditioner using R410A incurs pressure higher than when using conventional refrigerant, it is necessary to choose adequate materials.

Thicknesses of copper pipes used with R410A are as shown in the table. Never use copper pipes thinner than that in the table even when it is available on the market.

Thicknesses of Annealed Copper Pipes (R410A)





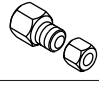
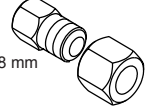
Pipe outside diameter	Thickness
6.35 mm (1/4 in.)	0.80 mm
9.52 mm (3/8 in.)	0.80 mm
12.70 mm (1/2 in.)	0.80 mm
15.88 mm (5/8 in.)	1.00 mm
19.05 mm (3/4 in.)	1.20 mm

2.3. Accessories

WARNING

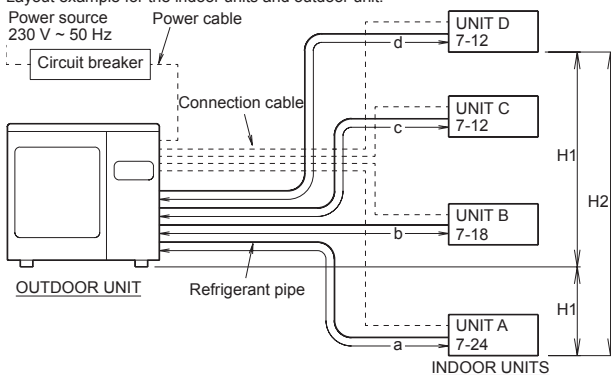
For installation purposes, be sure to use the parts supplied by the manufacturer or other prescribed parts. The use of non-prescribed parts can cause serious accidents such as the unit falling, water leakage, electric shock, or fire.

Do not throw away the connecting parts until the installation has been complete.

Name and shape	Q'ty	Application
Installation manual 	1	(This book)
Drain cap 	2	For outdoor unit drain piping work [Heat & Cool model (Reverse cycle) only]
Drain pipe 	1	
Putty 	1	For sealing
Adapter assy 12.7 mm / 9.52 mm 	2	For use when connecting models 7-12 to outdoor port A or B
Adapter assy 12.7 mm / 15.88 mm 	1	For use when connecting model 24

2.4. System configuration

Layout example for the indoor units and outdoor unit.



2.4.1. CONNECTABLE INDOOR UNIT CAPACITY TYPE

CAUTION

The total capacity of the indoor units connected must be between 27,000 and 49,000 BTU.

Be sure to check the connecting pattern in technical manual when installed since connection pattern is specified in it. Operation cannot be guaranteed if connected by a method not specified in it. It can cause the fault of the product.

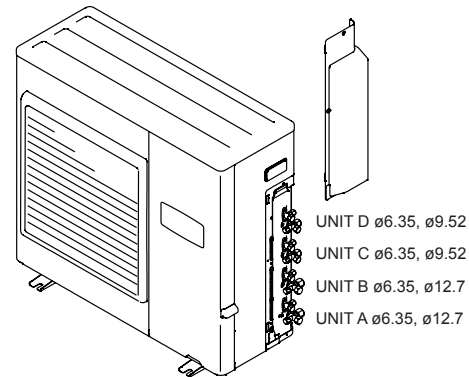
At least three indoor units must be connected to the outdoor unit.

- To install an indoor unit, refer to the installation Manual included with the indoor unit.

Outdoor port	Connectable model name	
	Standard port size	
D	6.35/9.52	7 - 12
C	6.35/9.52	7 - 12
B	6.35/12.7	7 - 12 ¹ / 14 - 18
A	6.35/12.7	7 - 12 ¹ / 14 - 24 ²

¹ When connecting models 7-12 to the outdoor unit, the included adapter is necessary. (For more information, refer to "4.1.3. HOW TO USE ADAPTER".)

² When connecting model 24 to the outdoor unit, connect only two other indoor units to the outdoor unit. (Max indoor unit capacity connection: 24,000 + 12,000 + 12,000 BTU) In addition, the included adapter is necessary to connect the indoor unit to the outdoor unit. (For more information, refer to "4.1.3. HOW TO USE ADAPTER".)



2.4.2. LIMITATION OF REFRIGERANT PIPING LENGTH

CAUTION

The total maximum pipe lengths and height difference of this product are shown in the table. If the units are further apart than this, correct operation cannot be guaranteed.

Total max. length (a+b+c+d)	70 m (230 ft) ³
Max. length for each indoor unit (a, b, c, or d)	25 m (82 ft)
Max. height difference between outdoor unit and each indoor unit (H1)	15 m (49 ft)
Max. height difference between indoor units (H2)	10 m (33 ft)
Min. length for each indoor unit (a, b, c, or d)	5 m (16 ft)
Total min. length (a+b+c+d)	20 m (66 ft)

³ If the total piping length is 51 m or longer, additional refrigerant charging is necessary. (For more information, refer to "6.2. Additional charging".)

2.4.3. SELECTING PIPE SIZES

The diameters of the connection pipes differ according to the capacity of the indoor unit. Refer to the following table for the proper diameters of the connection pipes between the indoor and outdoor units.

Capacity of indoor unit	Gas pipe size (thickness) [mm]	Liquid pipe size (thickness) [mm]
7 - 12	ø9.52 (0.8)	ø6.35 (0.8)
14 - 18	ø12.7 (0.8)	ø6.35 (0.8)
24	ø15.88 (1.0)	ø6.35 (0.8)

CAUTION

Operation cannot be guaranteed if the correct combination of pipes, valves, etc., is not used to connect the indoor and outdoor units.

2. 4. 4. HEAT INSULATION AROUND CONNECTION PIPES REQUIREMENTS

⚠ CAUTION

Install heat insulation around both the gas and liquid pipes. Failure to do so may cause water leaks.

Use heat insulation with heat resistance above 120 °C. (Reverse cycle model only)
In addition, if the humidity level at the installation location of the refrigerant piping is expected to exceed 70%, install heat insulation around the refrigerant piping. If the expected humidity level is 70-80%, use heat insulation that is 15 mm or thicker and if the expected humidity exceeds 80%, use heat insulation that is 20 mm or thicker.
If heat insulation is used that is not as thick as specified, condensation may form on the surface of the insulation.

In addition, use heat insulation with heat conductivity of 0.045 W/(m·K) or less (at 20 °C).

Connect the connection pipes according to "4. PIPE INSTALLATION 1" in this installation Manual.

3. INSTALLATION WORK

Please obtain the approval of the customer when selecting the location of installation and installing the unit.

3. 1. Selecting an installation location

⚠ WARNING

Securely install the outdoor unit at a location that can withstand the weight of the unit. Otherwise, the outdoor unit may fall and cause injury.

Be sure to install the outdoor unit as prescribed, so that it can withstand earthquakes and typhoons or other strong winds. Improper installation can cause the unit to topple or fall, or other accidents.

Do not install the outdoor unit near the edge of a balcony. Otherwise, children may climb onto the outdoor unit and fall off of the balcony.

⚠ CAUTION

Do not install the outdoor unit in the following areas:

- Area with high salt content, such as at the seaside. It will deteriorate metal parts, causing the parts to fail or the unit to leak water.
- Area filled with mineral oil or containing a large amount of splashed oil or steam, such as a kitchen. It will deteriorate plastic parts, causing the parts to fail or the unit to leak water.
- Area that generates substances that adversely affect the equipment, such as sulfuric gas, chlorine gas, acid, or alkali. It will cause the copper pipes and brazed joints to corrode, which can cause refrigerant leakage.
- Area containing equipment that generates electromagnetic interference. It will cause the control system to malfunction, preventing the unit from operating normally.
- Area that can cause combustible gas to leak, contains suspended carbon fibers or flammable dust, or volatile inflammables such as paint thinner or gasoline. If gas leaks and settles around the unit, it can cause a fire.
- Area that has heat sources, vapors, or the risk of the leakage of flammable gas in the vicinity.
- Area where small animals may live. It may cause failure, smoke or fire if small animals enter and touch internal electrical parts.
- Area where animals may urinate on the unit or ammonia may be generated.

Please install the outdoor unit without slant.

Install the outdoor unit in a well-ventilated location away from rain or direct sunlight.

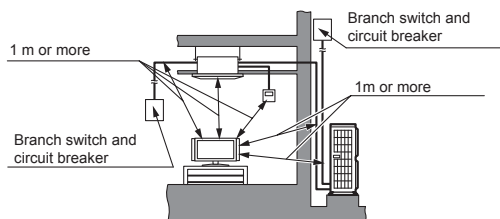
If the outdoor unit must be installed in an area within easy reach of the general public, install as necessary a protective fence or the like to prevent their access.

Install the outdoor unit in a location that would not inconvenience your neighbors, as they could be affected by the airflow coming out from the outlet, noise, or vibration. If it must be installed in proximity to your neighbors, be sure to obtain their approval.

If the outdoor unit is installed in a cold region that is affected by snow accumulation, snow fall, or freezing, take appropriate measures to protect it from those elements. To ensure a stable operation, install inlet and outlet ducts.

Install the outdoor unit in a location that is away from exhaust or the vent ports that discharge vapor, soot, dust, or debris.

Install the indoor unit, outdoor unit, power supply cable, connection cable, and remote controller cable at least 1 m away from a television or radio receivers. The purpose of this is to prevent TV reception interference or radio noise. (Even if they are installed more than 1 m apart, you could still receive noise under some signal conditions.)



⚠ CAUTION

If children under 10 years old may approach the unit, take preventive measures so that they cannot reach the unit.

Keep the length of the piping of the indoor and outdoor units within the allowable range.

For maintenance purposes, do not bury the piping.

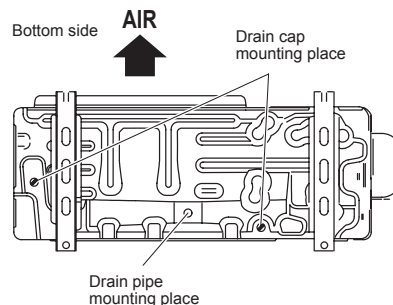
3. 2. Drain installation

⚠ CAUTION

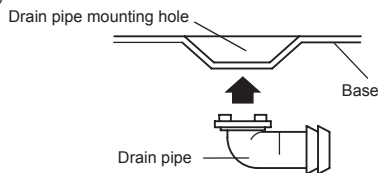
Perform drain work in accordance with this Manual, and ensure that the drain water is properly drained. If the drain work is not carried out correctly, water may drip down from the unit, wetting the furniture.

When the outdoor temperature is 0 °C or less, do not use the accessory drain pipe and drain cap. If the drain pipe and drain cap are used, the drain water in the pipe may freeze in extremely cold weather. (Reverse cycle model only)

Outdoor unit to be fasten with bolts at the four places indicated by the arrows without fail.



Since the drain water flows out of the outdoor unit during heating operation, install the drain pipe and connect it to a commercial 16 mm hose. (Reverse cycle model only)
When installing the drain pipe, plug all the holes other than the drain pipe mounting hole in the bottom of the outdoor unit with putty so there is no water leakage. (Reverse cycle model only)



3. 3. Installation dimensions

⚠ CAUTION

Select installation locations that can properly support the weight of the indoor and outdoor units. Install the units securely so that they do not topple or fall.

⚠ WARNING

Do not install where there is the danger of combustible gas leakage.

Do not install the unit near heat source of heat, steam, or flammable gas.

If children under 10 years old may approach the unit, take preventive measures so that they cannot reach the unit.

⚠ CAUTION

Install the unit where it will not be tilted by more than 3°. However, do not install the unit with it tilted towards the side containing the compressor.

When installing the outdoor unit where it may be exposed to strong wind, fasten it securely.

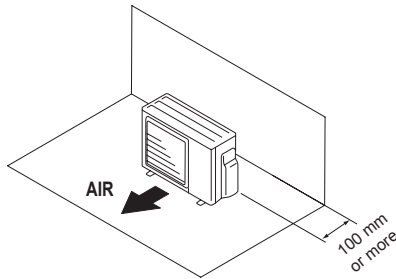
Decide the mounting position with the customer as follows:

- (1) Install the outdoor unit in a location which can withstand the weight of the unit and vibration, and which can install horizontally.
- (2) Provide the indicated space to ensure good airflow.
- (3) If possible, do not install the unit where it will be exposed to direct sunlight. (If necessary, install a blind that does not interfere with the airflow.)
- (4) Do not install the unit near a source of heat, steam, or flammable gas.
- (5) During heating operation, drain water flows from the outdoor unit. Therefore, install the outdoor unit in a place where the drain water flow will not be obstructed. (Reverse cycle model only)
- (6) Do not install the unit where strong wind blows or where it is very dusty.
- (7) Do not install the unit where people pass.
- (8) Install the outdoor unit in a place where it will be free from being dirty or getting wet by rain as much as possible.
- (9) Install the unit where connection to the indoor unit is easy.

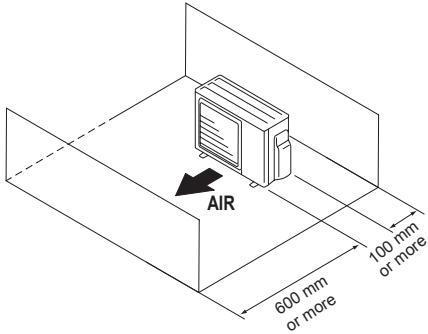
3.3.1. Single outdoor unit installation

When the upward area is open

- When there are obstacles at the back side.

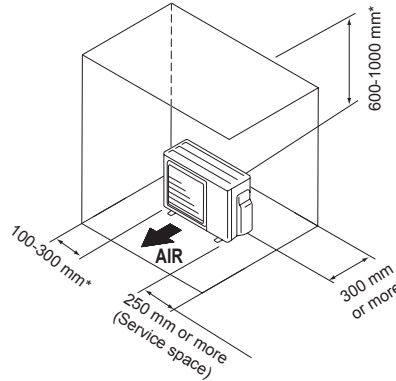


- When there are obstacles at the back and front sides.



When an obstruction is present also in the upward area

- When there are obstacles at the back, side(s), and top



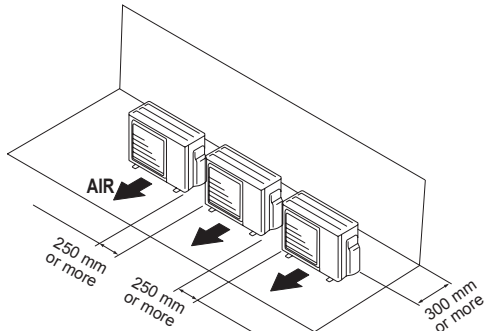
※ If the space is larger than that is stated, the condition will be the same as that there are no obstacles.

3.3.2. Multiple outdoor unit installation

- Provide at least 250 mm of space between the outdoor units if multiple units are installed.
- When routing the piping from the side of an outdoor unit, provide space for the piping.
- No more than 3 units must be installed side by side.

When 3 units or more are arranged in a line, provide the space as shown in the following example when an obstruction is present also in the upward area.

- When there are obstacles at the back side with the installation of more than one unit.



3.4. Transportation of the unit

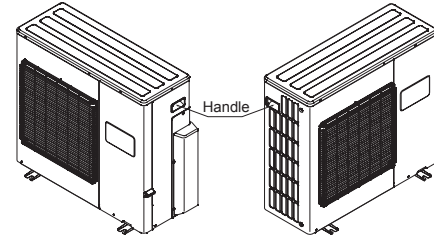
⚠ WARNING

Do not touch the fins. Otherwise, personal injury could result.

⚠ CAUTION

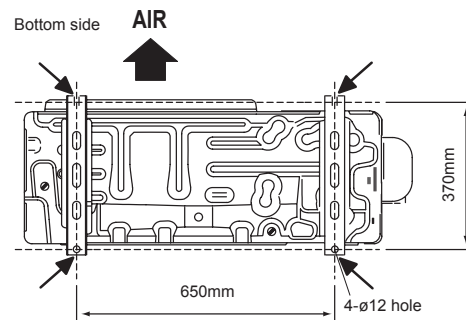
When carrying the unit, hold the handles on the right and left sides and be careful. If the outdoor unit is carried from the bottom, hands or fingers may be pinched.

- Be sure to hold the handles on the sides of the unit. Otherwise, holding the suction grille on the sides of the unit may cause deformation.

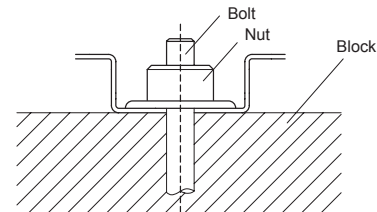


3.5. Installation of the unit

- Install 4 anchor bolts at the locations indicated with arrows in the figure.
- To reduce vibration, do not install the unit directly on the ground. Install it on a secure base (such as concrete blocks).
- The foundation shall support the legs of the unit and have a width of 50mm or more.
- Depending on the installation conditions, the outdoor unit may spread its vibration during operation, which may cause noise and vibration. Therefore, attach damping materials (such as damping pads) to the outdoor unit during installation.
- Install the foundation, making sure that there is enough space for installing the connection pipes.
- Secure the unit to a solid block using foundation bolts. (Use 4 sets of commercially available M10 bolts, nuts, and washers.)
- The bolts should protrude 20mm. (Refer to the figure.)
- If overturning prevention is required, purchase the necessary commercially available items.



Fix securely with bolts on a solid block. (Use 4 sets of commercially available M10 bolt, nut and washer.)



4. PIPE INSTALLATION I

4.1. Flare connection (pipe connection)

⚠ CAUTION

Do not use mineral oil on a flared part. Prevent mineral oil from getting into the system as this would reduce the lifetime of the units.

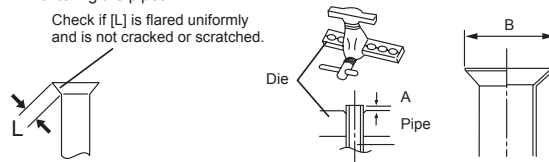
While welding the pipes, be sure to blow dry nitrogen gas through them.

The maximum lengths of this product are shown in the table. If the units are further apart than this, correct operation cannot be guaranteed.

Flaring

- Use special pipe cutter and flare tool exclusive for R410A.
- (1) Cut the connection pipe to the necessary length with a pipe cutter.
 - (2) Hold the pipe downward so that the cuttings will not enter the pipe and remove any burrs.
 - (3) Insert the flare nut (always use the flare nut attached to the indoor and outdoor units respectively) onto the pipe and perform the flare processing with a flare tool. Leakage of refrigerant may result if other flare nuts are used.
 - (4) Protect the pipes by pinching them or with tape to prevent dust, dirt, or water from entering the pipes.

Check if [L] is flared uniformly and is not cracked or scratched.



Pipe outside diameter [mm (in.)]	Dimension A (mm)	Dimension B ± 0.4 [mm]
	Flare tool for R410A, clutch type	
6.35 (1/4)	0 to 0.5	9.1
9.52 (3/8)		13.2
12.70 (1/2)		16.6
15.88 (5/8)		19.7
19.05 (3/4)		24.0

- When using conventional flare tools to flare R410A pipes, the dimension A should be approximately 0.5mm more than indicated in the table (for flaring with R410A flare tools) to achieve the specified flaring. Use a thickness gauge to measure the dimension A.

Width across flats



Pipe outside diameter [mm (in.)]	Width across flats of Flare nut [mm]
6.35 (1/4)	17
9.52 (3/8)	22
12.70 (1/2)	26
15.88 (5/8)	29
19.05 (3/4)	36

4. 1. 1. Bending pipes

CAUTION

To prevent breaking of the pipe, avoid sharp bends. Bend the pipe with a radius of curvature of 100mm or more.

If the pipe is bent repeatedly at the same place, it will break.

- If pipes are shaped by hand, be careful not to collapse them.
- Do not bend the pipes at an angle of more than 90°.
- When pipes are repeatedly bent or stretched, the material will harden, making it difficult to bend or stretch them any more.
- Do not bend or stretch the pipes more than 3 times.

4. 1. 2. Pipe connection

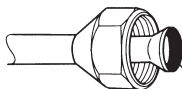
CAUTION

Be sure to install the pipe against the port on the indoor unit and the outdoor unit correctly. If the centering is improper, the flare nut cannot be tightened smoothly. If the flare nut is forced to turn, the threads will be damaged.

Do not remove the flare nut from the outdoor unit pipe until immediately before connecting the connection pipe.

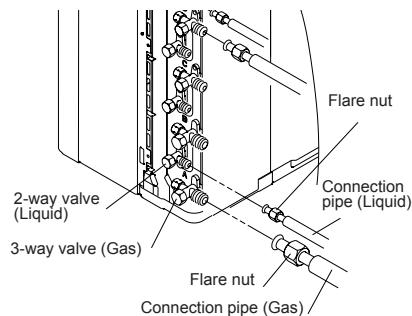
After installing the piping, make sure that the connection pipes do not touch the compressor or outer panel. If the pipes touch the compressor or outer panel, they will vibrate and produce noise.

- Detach the caps and plugs from the pipes.
- Center the pipe against the port on the outdoor unit, and then turn the flare nut by hand.

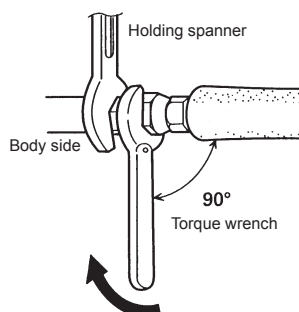


To prevent gas leakage, coat the flare surface with alkylbenzene oil (HAB). Do not use mineral oil.

- Attach the connection pipe.



- When the flare nut is tightened properly by your hand, use a torque wrench to finally tighten it.



CAUTION

Hold the torque wrench at its grip, keeping it in a right angle with the pipe, in order to tighten the flare nut correctly.

- Outer panel may be distorted if fastened only with a wrench. Be sure to fix the elementary part with a holding wrench (spanner) and fasten with a torque wrench (refer to below diagram). Do not apply force to the blank cap of the valve or hang a wrench, etc., on the cap. If blank cap is broken, it may cause leakage of refrigerant.

Flare nut [mm (in.)]	Tightening torque [N·m (kgf·cm)]
6.35 (1/4) dia.	16 to 18 (160 to 180)
9.52 (3/8) dia.	32 to 42 (320 to 420)
12.70 (1/2) dia.	49 to 61 (490 to 610)
15.88 (5/8) dia.	63 to 75 (630 to 750)
19.05 (3/4) dia.	90 to 110 (900 to 1100)

4. 1. 3. HOW TO USE ADAPTER (Connection ports of outdoor unit)

- When using the ADAPTER, be careful not to overtighten the nut, or the smaller pipe may be damaged.
- Apply a coat of refrigeration oil to the threaded connection port of the outdoor unit where the flare nut comes in.
- Use appropriate wrenches to avoid damaging the connection thread by overtightening the flare nut.
- Apply wrenches on both of flare nut (local part), and ADAPTER to tighten them.

Adapter type [mm]	Tightening torque [N·m (kgf·cm)]
ø12.7 → ø9.52	49 to 61 (490 to 610)
ø12.7 → ø15.88	49 to 61 (490 to 610)

5. ELECTRICAL WIRING

5. 1. The precautions of electrical wiring

WARNING

Wiring connections must be performed by a qualified person in accordance with specifications. The rated supply of this product is 50Hz, 230V. Use a voltage within the range of 198-264V.

Before connecting the wires, make sure the power supply is OFF.

Be sure to install a breaker of the specified capacity. When selecting breaker, please comply with the laws and the regulations of each country. One breaker must be installed on the power supply of the outdoor unit. Wrong selection and setup of the breaker will cause electric shock or fire.

Be sure to install an earth leakage breaker. Otherwise, it will cause electric shock or fire.

Do not connect AC power supply to the transmission line terminal board. Improper wiring can damage the entire system.

Connect the connector cable securely to the terminal. Faulty installation can cause a fire.

Make sure to secure the insulation portion of the connector cable with the cable clamp. A damaged insulation can cause a short circuit.

Never install a power factor improvement condenser. Instead of improving the power factor, the condenser may overheat.

Before servicing the unit, turn the power supply switch OFF. Then, do not touch electric parts for 5 minutes due to the risk of electric shock.

Make sure to perform grounding work. Improper grounding work can cause electric shocks.

CAUTION

The primary power supply capacity is for the air conditioner itself, and does not include the concurrent use of other devices.

Do not use crossover power supply wiring for the outdoor unit.

If the electrical power is inadequate, contact your electric power company.

Install a breaker in a location that is not exposed to high temperatures. If the temperature surrounding the breaker is too high, the amperage at which the breaker cuts out may decrease.

This system uses an inverter which means that it must be used an earth leakage breaker that can handle harmonics in order to prevent malfunctioning of the earth leakage breaker itself.

When the electrical switchboard is installed outdoors, place it under lock and key so that it is not easily accessible.

Do not fasten the power supply cable and connection cable together.

Always keep to the maximum length of the connection cable. Exceeding the maximum length may lead to erroneous operation.

⚠ CAUTION

The static electricity that is charged to the human body can damage the control PC Board when handling the control PC Board for address setting, etc. Please keep caution to the following points.
Provide the grounding of Indoor unit, Outdoor unit and Option equipment.
Cut off the power supply (breaker).
Touch the metal section (such as the unpainted control box section) of the indoor or outdoor unit for more than 10 seconds. Discharge the static electricity in your body. Never touch the component terminal or pattern on the PC Board.

5.2. Electrical requirement

⚠ CAUTION

Be sure to install a breaker of the specified capacity.

Regulation of cables and breaker differs from each locality, refer in accordance with local rules.

Voltage rating	1Φ 230V (50Hz)
Operating range	198-264V

Cable	Cable size (mm ²) ^{*1}	Type	Remarks
Power supply cable	4.0	Type 60245 IEC 66	2 cable + Earth (Ground), 1 Ø 230V
Connection cable	1.5	Type 60245 IEC 57	3 cable + Earth (Ground), 1 Ø 230V

^{*1} Selected sample: Select the correct cable type and size according to the country or region's regulations.
Max. wire length: Set a length so that the voltage drop is less than 2%. Increase the wire diameter when the wire length is long.

Breaker	Specification ^{*2}
Circuit breaker (over current)	Current : 25 (A)
Earth leakage breaker	Leakage current : 30mA 0.1sec or less ^{*3}

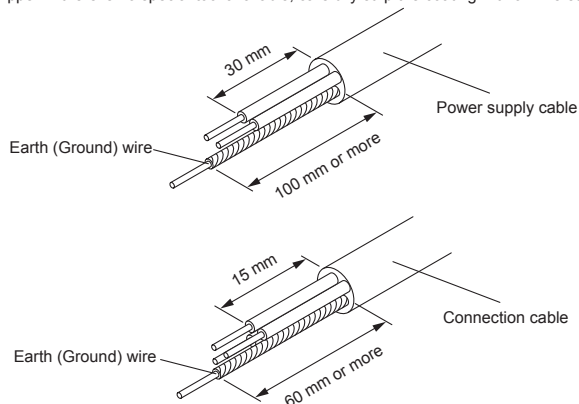
^{*2} Select the appropriate breaker of the described specification according to the national or regional standards.

^{*3} Select the breaker that enough load current can pass through it.

- Before starting work check that power is not being supplied to all poles of the indoor unit and outdoor unit.
- Install all electrical works in accordance to standard.
- Install the disconnect device with a contact gap of at least 3mm in all poles nearby the units. (Both indoor unit and outdoor unit)
- Wiring size must comply with the applicable local and national code.

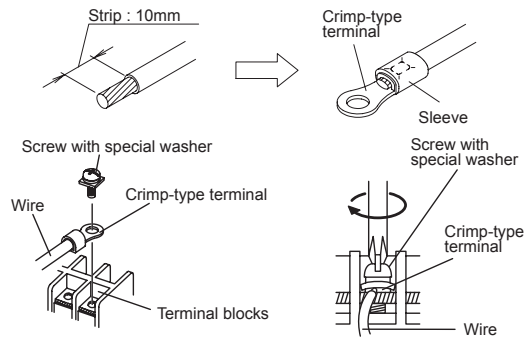
5.3. Unit wiring

- When stripping off the coating of a lead wire, always use a special tool such as a wire stripper. If there is no special tool available, carefully strip the coating with a knife etc.



How to connect wiring to the terminal Caution when wiring cable

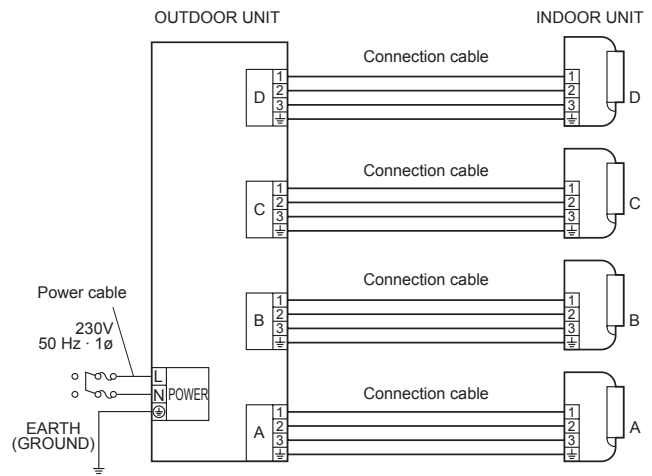
- (1) Use crimp-type terminals with insulating sleeves as shown in the figure to connect to the terminal block.
- (2) Securely clamp the crimp-type terminals to the wires using an appropriate tool so that the wires do not come loose.
- (3) Use the specified wires, connect them securely, and fasten them so that there is no stress placed on the terminals.
- (4) Use an appropriate screwdriver to tighten the terminal screws. Do not use a screwdriver that is too small, otherwise, the screw heads may be damaged and prevent the screws from being properly tightened.
- (5) Do not tighten the terminal screws too much, otherwise, the screws may break.
- (6) See the table below for the terminal screw tightening torques.



Tightening torque [N·m (kgf·cm)]

M4 screw	1.2 to 1.8 (12 to 18)
----------	-----------------------

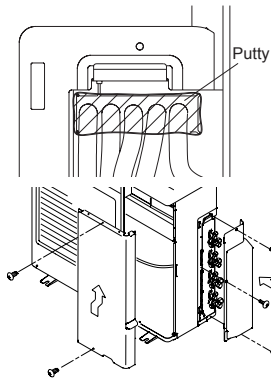
5.4. Connection diagrams



5.5. Outdoor unit

- (1) Service panel removal
• Remove the two mounting screws.
• Remove the service panel by pushing downwards.
- (2) Connect the power supply cable and the connection cable to terminal.
- (3) Fasten the power supply cable and connection cable with cable clamp.

- (4) Be sure to seal the holes when applying the putty. Place the cables side by side. (Do not overlap the cables.)



- (5) Put the service panel and valve cover back after completion of the work.

6. PIPE INSTALLATION II

6.1. Vacuum

CAUTION

- Always use a vacuum pump to purge the air.
- Refrigerant for purging the air is not charged in the outdoor unit at the factory.
- Refrigerant must not be discharged into atmosphere.
- Use a vacuum pump, gauge manifold and charge hose for R410A exclusively. Using the same vacuum for different refrigerants may damage the vacuum pump or the unit.
- After connecting the piping, check the joints for gas leakage with gas leak detector or soapy water.

6.1.1. CHECKING GAS LEAKAGE AND PURGING AIR

Gas leak checks are performed using either vacuum or nitrogen gas, so select the proper one depending on the situation.

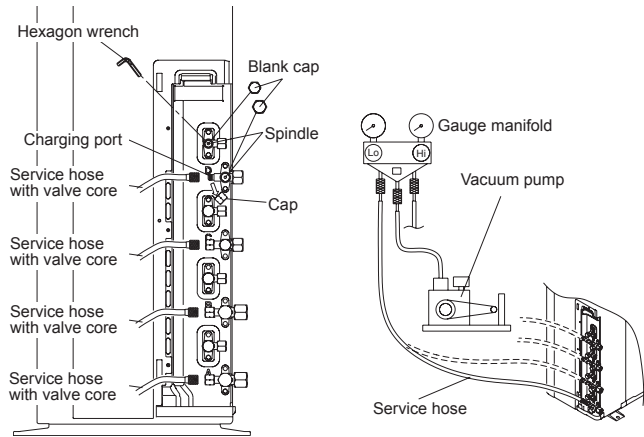
Checking gas leaks with vacuum:

- (1) Check if the piping connections are secure.
- (2) Remove the cap of 3-way valve, and connect the gauge manifold charge hoses to the charging port of the 3-way valve.
- (3) Open the valve of the gauge manifold fully.
- (4) Operate the vacuum pump and start pump down.
- (5) Check that the compound pressure gauge reads -0.1 MPa (76 cmHg), operate the vacuum pump for 30 minutes or more in each valve.
- (6) At the end of pump down, close the valve of the gauge manifold fully and stop the vacuum pump.
(It checks that leave as it is for about 10 minutes, and a needle does not return.)
- (7) Disconnect the charge hose from the 3-way valve charging port.
- (8) Remove the blank caps, and fully open the spindles of the 2-way and 3-way valves with a hexagon wrench.
[torque: 6 to 7 N·m (60 to 70 kgf·cm)].
- (9) Tighten the blank caps and charging port cap of the 2-way valve and 3-way valve to the specified torque.

Checking gas leaks with nitrogen gas:

- (1) Check if the piping connections are secure.
- (2) Remove the cap of 3-way valve, and connect the gauge manifold charge hoses to the charging port of the 3-way valve.
- (3) Pressurize with nitrogen gas using the 3-way valve charging port.
- (4) Do not pressurize up to the specified pressure all at once but do so gradually.
 - ① Increase the pressure up to 0.5 Mpa (5 kgf/cm²), let it sit for about five minutes and then check for any decrease in pressure.
 - ② Increase the pressure up to 1.5 Mpa (15 kgf/cm²), let it sit for about five minutes and then check for any decrease in pressure.
 - ③ Increase the pressure up to the specified pressure (the pressure designed for the product) and then make a note of it.
- (5) Let it sit at the specified pressure and if there is no decrease in pressure then it is satisfactory. If a pressure decrease is confirmed, there is a leak, so it is necessary to specify the leak location and make minor adjustments.
- (6) Discharge the nitrogen gas and starting removing the gas with a vacuum pump.
- (7) Open the valve of the gauge manifold fully.
- (8) Operate the vacuum pump and start pump down.
- (9) Check that the compound pressure gauge reads -0.1 MPa (76 cmHg), operate the vacuum pump for 30 minutes or more in each valve.
- (10) At the end of pump down, close the valve of the gauge manifold fully and stop the vacuum pump.
- (11) Disconnect the charge hose from the 3-way valve charging port.
- (12) Remove the blank caps, and fully open the spindles of the 2-way and 3-way valves with a hexagon wrench.
[torque: 6 to 7 N·m (60 to 70 kgf·cm)].
- (13) Tighten the blank caps and charging port cap of the 2-way valve and 3-way valve to the specified torque.

Tightening torque		
Blank cap	6.35 mm (1/4 in.)	20 to 25 N·m (200 to 250 kgf·cm)
	9.52 mm (3/8 in.)	20 to 25 N·m (200 to 250 kgf·cm)
	12.70 mm (1/2 in.)	28 to 32 N·m (280 to 320 kgf·cm)
	15.88 mm (5/8 in.)	30 to 35 N·m (300 to 350 kgf·cm)
	19.05 mm (3/4 in.)	35 to 40 N·m (350 to 400 kgf·cm)
Charging port cap		10 to 12 N·m (100 to 120 kgf·cm)



CAUTION

- Do not purge the air with refrigerants, but use a vacuum pump to vacuum the installation! There is no extra refrigerant in the outdoor unit for air purging!
- Use a vacuum pump and gauge manifold and charging hose for R410A exclusively. Using the same vacuum for different refrigerants may damage the vacuum pump or the unit.

6.2. Additional charging

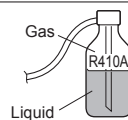
Refrigerant suitable for a total piping length of 50 m is charged in the outdoor unit at the factory.

When the piping is longer than 50 m, additional charging is necessary. For the additional amount, see the table below.

Total piping length	50m (164 ft)	60m (197 ft)	70m (230 ft)	Total piping length
Additional refrigerant	None	250g (8.8 oz)	500g (17.6 oz)	25g/m (0.27 oz/ft)

CAUTION

- When moving and installing the air conditioner, do not mix gas other than the specified refrigerant (R410A) inside the refrigerant cycle.
- When charging the refrigerant R410A, always use an electronic balance for refrigerant charging (to measure the refrigerant by weight).
- When charging the refrigerant, take into account the slight change in the composition of the gas and liquid phases, and always charge from the liquid phase side whose composition is stable.
- Add refrigerant from the charging valve after the completion of the work.
- If the units are further apart than the maximum pipe length, correct operation can not be guaranteed.



7. POWER

⚠ WARNING

Always use a special branch circuit and install a special receptacle to supply power to the air conditioner.

Use a special branch circuit breaker and receptacle matched to the capacity of the air conditioner. (Install in accordance with standard.)

Perform wiring work in accordance with standards so that the air conditioner can be operated safely and positively.

Install a leakage special branch circuit breaker in accordance with the related laws and regulations and electric company standards.

⚠ CAUTION

When the voltage is low and the air conditioner is difficult to start, contact the power company the voltage raised.

8. TEST RUN

The test run method may be different for each indoor unit that is connected. Refer to the installation Manual included with each indoor unit.

⚠ CAUTION

Always turn on the power 12 hours prior to the start of the operation in order to ensure compressor protection.

8. 1. Make a TEST RUN in accordance with the installation Manual for the indoor unit

8. 1. 1. CHECK ITEMS

(1) INDOOR UNIT

- (1) Is operation of each button on the remote controller normal?
- (2) Does each lamp light normally?
- (3) Do the air flow-direction louver operate normally?
- (4) Is the drain normal?
- (5) Is there any abnormal noise and vibration during operation?

(2) OUTDOOR UNIT

- (1) Is there any abnormal noise and vibration during operation?
- (2) Will noise, wind, or drain water from the unit disturb the neighbors?
- (3) Is there any gas leakage?
 - Do not operate the air conditioner in the test running state for a long time.
 - For the operation method, refer to the operating manual and perform operation check.

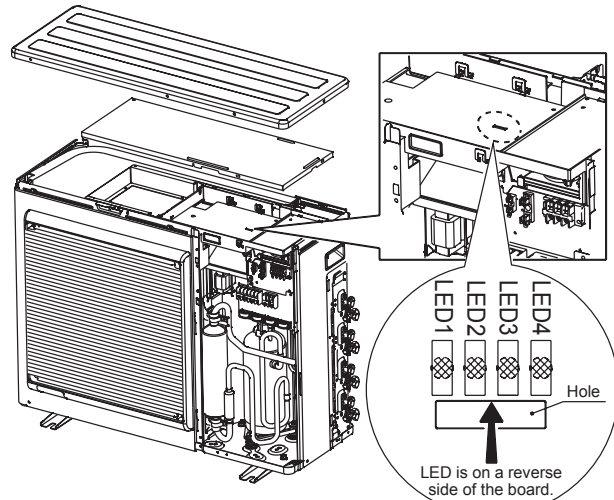
8. 2. Outdoor unit LEDS

When a malfunction occurs in the outdoor unit, the LED on the circuit board lights to indicate the error. Refer to the following table for the description of each error according to the LED.

Error contents	LED 1	LED 2	LED 3	LED 4
Communication error (outdoor unit to indoor unit A)	●1 time	-	-	-
Communication error (outdoor unit to indoor unit B)	-	●1 time	-	-
Communication error (outdoor unit to indoor unit C)	-	-	●1 time	-
Communication error (outdoor unit to indoor unit D)	-	-	-	●1 time
Discharge temp. sensor error	●2 times	-	-	-
Outdoor unit Heat Ex. middle temp. sensor error	●3 times	-	-	-
Outdoor temp. sensor error	●4 times	-	-	-
2 way valve temp. sensor error(for Indoor unit A)	●5 times	-	-	-
2 way valve temp. sensor error(for Indoor unit B)	-	●5 times	-	-
2 way valve temp. sensor error(for Indoor unit C)	-	-	●5 times	-
2 way valve temp. sensor error(for Indoor unit D)	-	-	-	●5 times
3 way valve temp. sensor error(for Indoor unit A)	●6 times	-	-	-
3 way valve temp. sensor error(for Indoor unit B)	-	●6 times	-	-
3 way valve temp. sensor error(for Indoor unit C)	-	-	●6 times	-
3 way valve temp. sensor error(for Indoor unit D)	-	-	-	●6 times
Compressor temp. sensor error	●7 times	-	-	-
Heat sink temp. sensor error	●8 times	-	-	-
High pressure switch 1 error	●9 times	-	-	-
High pressure switch 2 error	●10 times	-	-	-
Indoor unit capacity error	●11 times	-	-	-
Trip detection	●12 times	-	-	-
Compressor rotor position detection error	●13 times	-	-	-

Error contents	LED 1	LED 2	LED 3	LED 4
Trip terminal L error	●14 times	-	-	-
Outdoor unit fan motor error	●15 times	-	-	-
Outdoor unit PCB microcomputer communication error	●17 times	-	-	-
Discharge temperature error	●18 times	-	-	-
Compressor temperature error	●19 times	-	-	-
4 way valve error	●20 times	-	-	-
Outdoor unit PCB model information error	●21 times	-	-	-
Active filter error, PFC circuit error	●22 times	-	-	-

● : flashing - : Off



9. PUMP DOWN

PUMP DOWN OPERATION

To avoid discharging refrigerant into the atmosphere at the time of relocation or disposal, recover refrigerant by doing the cooling operation or forced cooling operation according to the following procedure. (When the cooling operation cannot start in winter, and so on, start the forced cooling operation.)

- (1) Do the air purging of the charge hose by connecting the charging hose of gauge manifold to the charging port of 3 way valve (At least one unit of connected units) and opening the low pressure valve slightly.
- (2) Close the valve stem of 2 way valve (All connected units) completely.
- (3) Start the cooling operation or following forced cooling operation. (All connected units) When using the remote controller Press the TEST RUN button after starting the cooling operation by the remote controller. The operation indicator lamp and timer indicator lamp will begin to flash simultaneously during test run. When using the MANUAL AUTO button of the indoor unit (The remote controller is lost, and so on.) Keep on pressing the MANUAL AUTO button of the indoor unit for more than 10 seconds. (The forced cooling operation cannot start if the MANUAL AUTO button is not kept on pressing for more than 10 seconds.)
- (4) Close the valve stem of 3 way valve (All connected units) when the reading on the compound pressure gauge becomes 0.05~0 Mpa (0.5~0 kg/cm²).
- (5) Stop the operation. (All connected units) Press the START/STOP button of the remote controller to stop the operation. Press the MANUAL AUTO button when stopping the operation from indoor unit side. (It is not necessary to press on keeping for more than 10 seconds.)