

ecomaxTM
by **HOBART**

UNDERCOUNTER GLASS AND DISHWASHERS



 made in germany

LOW PRICE
HIGH PERFORMANCE



ECOMAX OR ECOMAX PLUS – IT'S YOUR CHOICE!



ecomax™ by HOBART

The entry-level models for those who search for a low-cost dishwasher for commercial use. Ideal for start-ups and companies with irregular washing frequency, which invest in a dishwasher for the first time. **ecomax** meets all requirements for hygienic wash results.



Model G404

Model F504

ecomax plus by HOBART

For budget-oriented operators who seek a plus in comfort and equipment. **ecomax plus** combines all the features of a **ecomax** dishwasher and offers a plus in wash power, energy efficiency, noise reduction and ease of use.



Model G415

Model F515



ECOMAX G404 COMPACT GLASSWASHER

The fast and reliable glasswasher in compact design. Perfect for start-ups, small bars or restaurants.

FEATURES

- Electronic control with digital temperature indication for easy operation
- Rotating wash and rinse arms for an even water distribution
- Indented nozzles prevent blocking
- Integrated counter for cycles and water consumption, e.g. for control of water treatment system
- Deep drawn rack track for easy cleaning
- USB connection for easier service access
- Incl. connection cable, supply and drain hose for immediate operation
- Thermostop function for guaranteed temperatures
- Self-cleaning programme for hygienic cleanliness also in the machine
- Switchable to thermolabile temperature setting





ECOMAX PLUS G415 COMPACT GLASSWASHER

The compact glasswasher for hotels, bars and restaurants, which are washing more than hundred glasses a day.

plusFEATURES

+++ additional to ecomax +++

- + Electronic control with digital temperature indication and 3 programmes for easy operation
- + Deep-drawn wash tank for easy cleaning
- + Better energy efficiency saves operating costs
- + Double-walled housing and heat insulated front door for reduction of noise and energy losses
- + Tank strainer, coarse filter and pump suction casing secure safe operation
- + Door damping control for long life operation
- + Fully equipped with rinse pressure pump, detergent and rinse aid dispenser and drain pump
- + Optional cabinet base for ergonomic operation
- + Refill signal available with optional suction lances





ECOMAX F504 DISHWASHER

With a high capacity of up to 60 racks per hour, this dishwasher is a reliable partner for club houses, bistros, and fast-food restaurants. The practical floor unit fits under every work counter.

FEATURES

- Electronic control with digital temperature indication for easy operation
- Rotating wash and rinse arms for an even water distribution
- Indented nozzles prevent blocking
- Integrated counter for cycles and water consumption, e.g. for control of water treatment system
- Deep drawn rack track for easy cleaning
- USB connection for easier service access
- Incl. connection cable, supply and drain hose for immediate operation
- Thermostop function for guaranteed temperatures
- Self-cleaning programme for hygienic cleanliness also in the machine
- Tank strainer reduces soiling of the tank water
- Optional cabinet base for ergonomic operation





ECOMAX PLUS F515 DISHWASHER

Due to the high wash power, the double-walled housing and the robust filter systems, it is the quiet and resource-saving solution for your busy workaday life.


plusFEATURES

+++ additional to ecomax +++

- + Electronic control with digital temperature indication and 3 programmes for easy operation
- + Deep-drawn wash tank for easy cleaning
- + Better energy efficiency saves operating costs
- + Double-walled housing and heat insulated front door for reduction of noise and energy losses
- + Coarse filter secures safe operation
- + Door damping control for long life operation
- + Fully equipped with rinse pressure pump, detergent and rinse aid dispenser and drain pump
- + Refill signal available with optional suction lances



FEATURES

 MODELS	GLASSWASHER		plus	DISHWASHER		plus	plus	plus
	G404-10B	G404-32B	G415-11A	F504-10B	F504-30/32B	F515-11A	F515S-11A	F515-50A
Thermolabel compliant	●	●	–	●	●	–	–	●
Integrated water softener*	○	–	–	○	–	–	●	–
External water treatment system**	○	○	○	○	○	○	–	○
Double walled door	●	●	●	●	●	●	●	●
Double-walled housing	–	–	●	–	–	●	●	●
Deep-drawn wash tank	–	–	●	–	–	●	●	●
Door damping control	–	–	●	–	–	●	●	●
Tank strainer	–	–	●	●	●	●	●	●
Drain pump	○	○	●	○	○	●	●	●
Rinse pressure pump ***	–	–	●	●	–	●	●	●
Rinse aid dispenser	●	○	●	●	○	●	●	●
Detergent dispenser	○	○	●	○	○	●	●	●
Base cabinet (435 mm high) with removable front panel	–	–	○	○	○	○	○	○
Glass rack (4 sloped rows)	●	●	●	○	○	○	○	○
Glass rack (flat)	○	○	●	○	○	○	○	○
Plate rack P-18-12	–	–	–	●	●	●	●	●
Cutlery box CB-1	●	●	–	●	●	○	○	○
Cutlery rack CB-4	–	–	–	○	○	●	●	●
Universal flat rack B-00-07	–	–	–	○	○	●	●	●

* For machine protection the water hardness should not exceed 3°dH, if higher we recommend using an integrated water softener or an external water treatment system.

** For use of an external water treatment system, an integrated rinse pressure pump is necessary.

*** Necessary flow pressure without rinse pressure pump: 2-6 bar. Flow pressure with integrated rinse pressure pump: 0,8-6 bar

● inclusive ○ optional – not available

TECHNICAL SPECIFICATIONS

made in germany

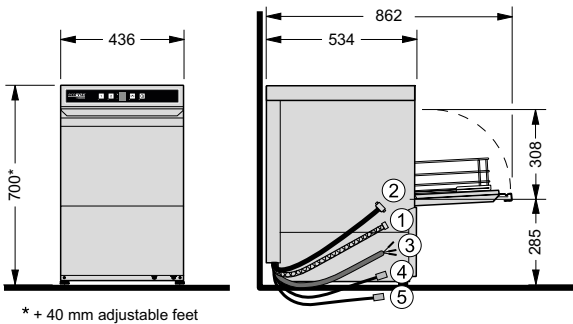
MODELS	ecomax [™] by HOBART				ecomax [™] plus by HOBART		
	G404-10B	G404-32B	F504-10/30B	F504-32B	G415-11A	F515-11A	F515-50A
Cycle times*	60 / 120 sec.	60 / 120 sec.	60 / 150 sec.	60 / 150 sec.	60/120/180 sec.	60/120/180 sec.	60/120/180 sec.
Capacity cycles	60 /h	60 /h	60 /h	60 /h	60 /h	60 /h	60 /h
Tank capacity	10 l	10 l	25 l	25 l	8 l	10.6 l	10.6 l
Water consumption	2 l/rack	2 l/rack	2.3 l/rack	2.3 l/rack	2.0 l/rack	2.3 l/rack	2.3 l/rack
Wash pump	0.2 kW	0.2 kW	0.35 kW	0.35 kW	0.4 kW	0.5 kW	0.5 kW
Tank heating	1.8 kW	1.9 kW	1.8 kW	1.8 kW	0.8 kW	0.8 kW	1.7 kW
BOOSTER HEATING							
Standard	1.9 kW (230 V)	1.9 kW	5.6 kW (400 V)	3.7 kW (1P)	2.8 kW (230 V)	6.2 kW (400 V)	6.2 kW
Alternative	5.6 kW (400 V)	3.7 kW	1.9 kW (230 V)	5.5 kW (3P)	4.2 kW (400 V)	2.1 kW (230 V)	–
TOTAL LOADING							
Standard	2.1 kW (230 V)	2.1 kW	5.9 kW (400 V)	4.1 kW (1P)	3.2 kW (230 V)	7.5 kW (400 V)	8.4 kW
Alternative	5.8 kW (400 V)	3.9 kW	2.2 kW (230 V)	5.9 kW (3P)	5.4 kW (400 V)	3.4 kW (230 V)	–
Rated voltage	230/50/1 (400/50/3N)	230/60/1	400/50/3N (230/50/1)	230/60/1 (230/60/3)	230/50/1 (400/50/3N)	400/50/3N (230/50/1)	380-415/50/3N
Width	436 mm	436 mm	576 mm	576 mm	460 mm	600 mm	600 mm
Depth	534 mm	534 mm	604 mm	604 mm	590 mm	600 mm	600 mm
Height	700 mm	700 mm	820 mm	820 mm	705 mm	825 mm	825 mm
Loading height	308 mm	308 mm	360 mm	360 mm	315 mm	425 mm	425 mm
Rack size	390 x 390 mm	390 x 390 mm	500 x 500 mm	500 x 500 mm	400 x 400 mm	500 x 500 mm	500 x 500 mm

* The machines are equipped with an automatic cycle-time control which ensures hygienic rinse temperatures even on a cold-water supply or with reduced heating performance.

DRAWINGS



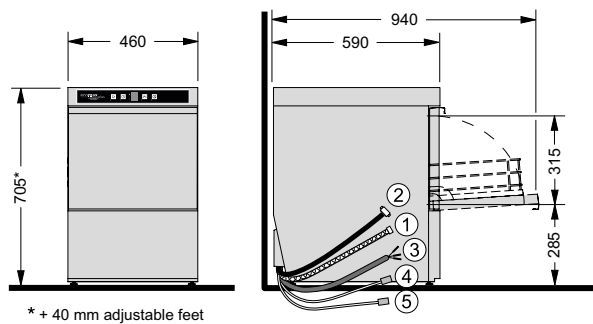
Glasswasher model **G404**



* + 40 mm adjustable feet

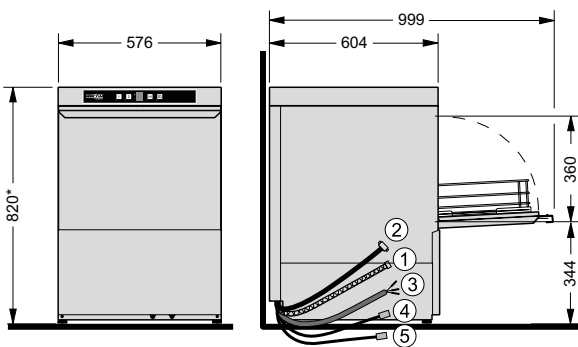


Glasswasher model **G415**



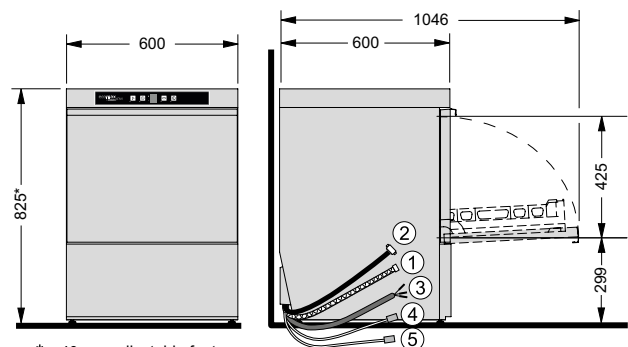
* + 40 mm adjustable feet

Undercounter dishwasher model **F504**



* + 40 mm adjustable feet

Undercounter dishwasher model **F515**



* + 40 mm adjustable feet

plus

- ① Drain hose
- ② Supply hose
- ③ Power cord
- ④ Detergent ^{a)}
- ⑤ Rinse aid ^{a)}

^{a)} depending on the device chemical dispensers are not included

HYDROLINE WATER TREATMENT



Always the exactly right water quality for your application – whether your focus is on protecting your machine efficiently against limescale, or on ensuring that your wine glasses are free of stains after washing.

External single-chamber softener SE-H

Protects heating rods against limescale and reduces detergent consumption. Quantity-controlled automatic regeneration.

External double-chamber softener SD-H

Protects heating rods against limescale and reduces detergent consumption. Regeneration takes place parallel to the cleaning process.

Partial demineralisation cartridge STAR PD

Residue-free removal of hardness components from the water.

Full demineralisation cartridge STAR EXTRA FD

Removes all minerals from the water. For brilliant wash results for glasses and cutlery.

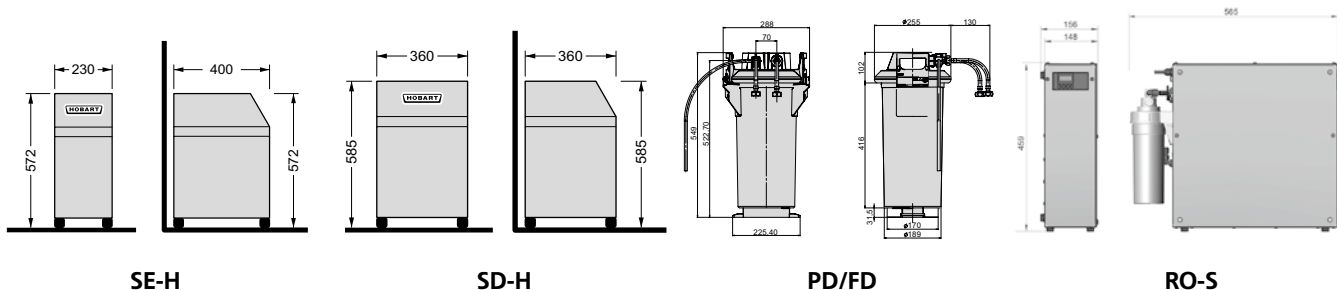
Reverse osmosis RO-S

Removes all minerals and particles from the water. For brilliant wash results for glasses and cutlery.

HYDROLINE	PROTECT SE-H	PROTECT SD-H	STAR PD	STAR EXTRA FD	PURE RO-S
Model	Single-chamber softener	Double-chamber softener	Partial demineralisation	Full demineralisation	Reverse osmosis
Supply water temperature	2 - 50°C	2 - 65°C	4 - 60°C	4 - 60°C	5 - 35°C
Supply capacity (continuously)	3 - 20 l/min	2 - 20 l/min	5 l/min	5 l/min	2.0 l/min
Flow pressure	3 - 7 bar	3 - 7 bar	2 - 6 bar	2 - 6 bar	1,5 - 6 bar
Supply hose	R 3/4"	R 3/4"	R 3/4"	R 3/4"	R 3/4"
Drain hose	R 3/4"	R 3/4"	R 3/4"	R 3/4"	R 3/4"
Regeneration type	quantity-controlled	quantity-controlled	–	–	–
Capacity	704 l at 8°dH (total hardness)	1,083 l at 8°dH (total hardness)	13,000 l at 10°dH (carbonate hardness)	5,400 l at 10°dH (total hardness)	–
Voltage	–	–	–	–	230/50/1*
Total connected load	–	–	–	–	0.2 kW

For machine protection the water hardness should not exceed 3°dH, if higher we recommend using an integrated water softener or an external water treatment system. For a water hardness of 10°dH and up, an external upstream softening system is recommended to protect the RO-S membrane against plugging. For a water hardness of 35°dH and up, an upstream softening system is mandatory for the operation of the RO-S.

* A 230 V connection is needed on site





THAILAND

HOBART Thailand

43 Thai CC Tower Building
31st FL · Room No. 310-311
South Sathorn Rd. · Yannawa
Sathorn · Bangkok · 10120 · Thailand

Tel: +66(0)2-675-6279-81
Fax: +66(0)2-675-6282
enquiry@hobartthailand.com
www.hobartthailand.com

SINGAPORE

HOBART International (S) Pte Ltd

158 · Kallang Way
#06-03/05
Singapore 349245

Phone: +65(0)6846 7117
Fax: +65(0)6846 0991
enquiry@hobart.com.sg
www.hobart.com.sg

INDIA

HOBART India

Unit of ITW India Pvt.Ltd.
501-502 · Vipul Trade Center
Sohna Road · Sector 48
Gurugram 122001 · India

Phone: +91 124 424 54-30
Fax: +91 124 424 54-32
info@itwfeg.in
www.itwfeg.in



made in germany

The details given in this brochure are correct as of 09/2021.
We reserve the right to technical or design modifications.

