



*coffeeing the World*

# CLASSE 9 USB XCELSIUS

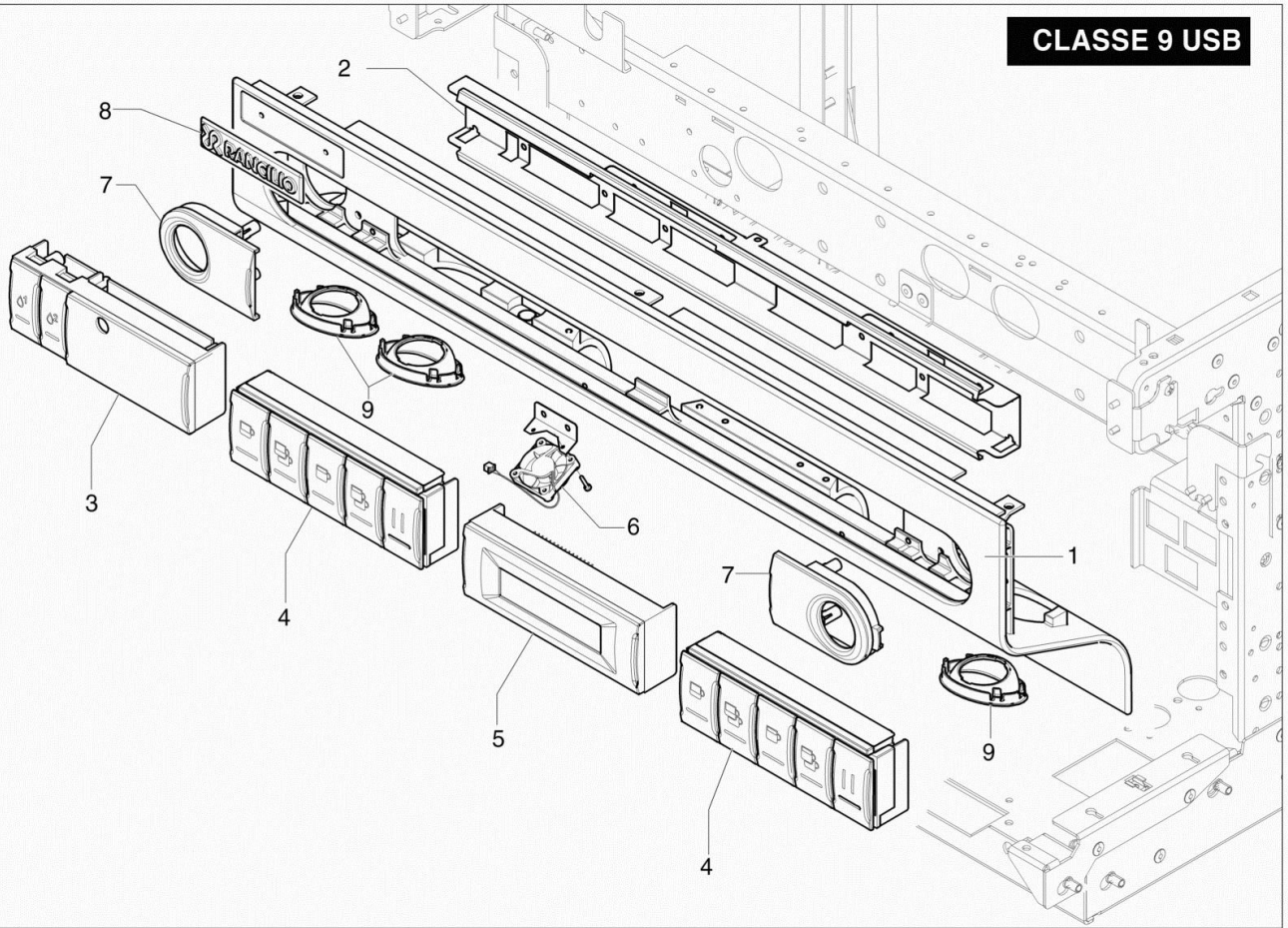


CLASSE 9

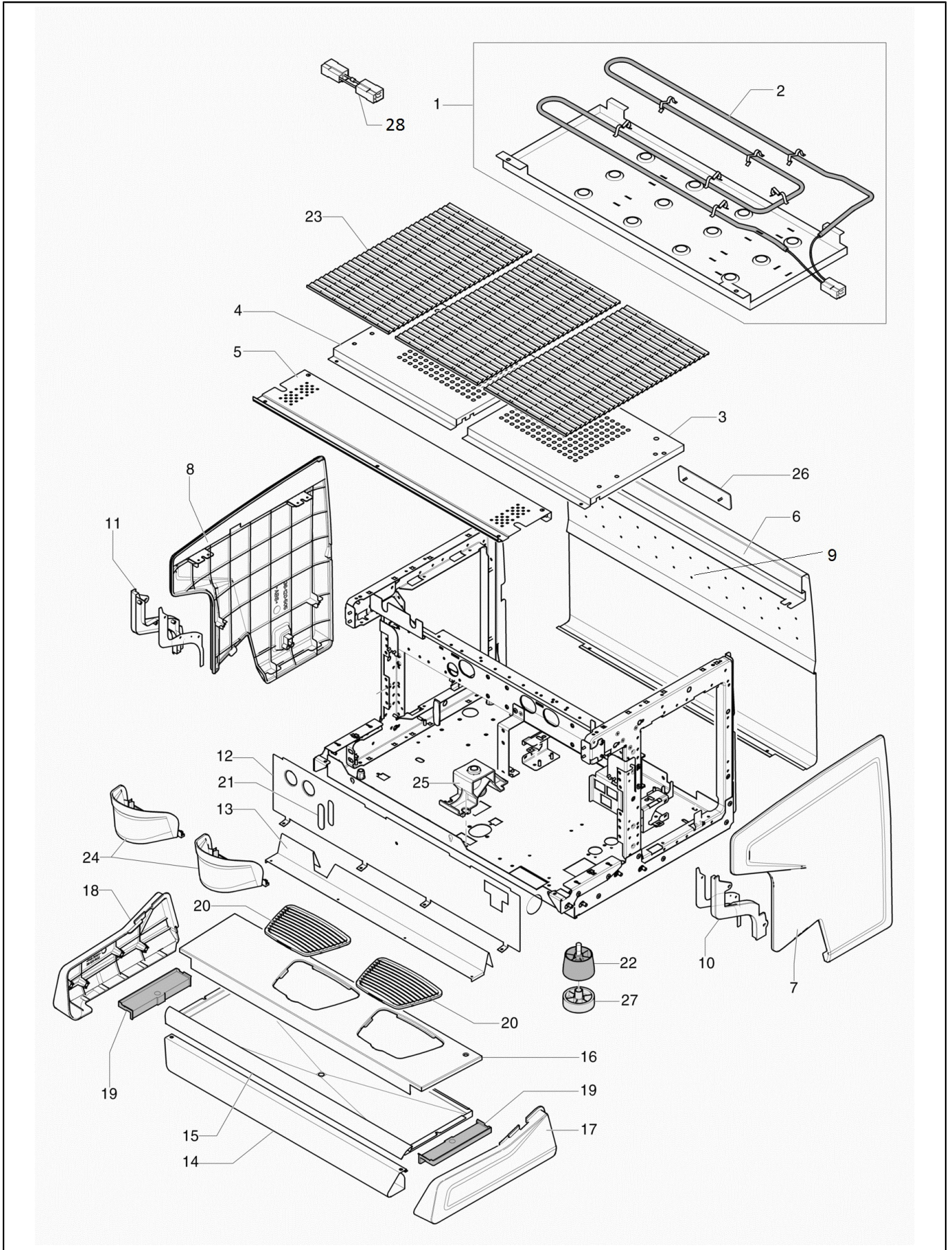
## Index

Table 1001_1 - PANNELLO COMANDI XCELSIUS.....	4
Table 1000 - Body.....	6
Table 1003 - HOUSING TALL.....	8
Table 2013 - HYDRAULIC MODULE USB/XCELSIUS.....	10
Table 2002 - HYDRAULIC CIRCUIT XCELSIUS.....	12
Table 2003 - HEATING ELEMENT/CHECK EXP. VALVE.....	14
Table 2006 - BREWING GROUP XCELSIUS.....	16
Table 2007 - Water spout .....	18
Table 2008 - Clever Steam Tap .....	20
Table 2009 - XCELSIUS SYSTEM.....	22
Table 2010 - LEVEL INDICATOR.....	24
Table 3002 - ELECTRIC/ELECTRONIC PARTS XCELSIUS.....	26
Table 4000 - ISTEAM CLASSE 9.....	28
Alphanumeric index.....	30

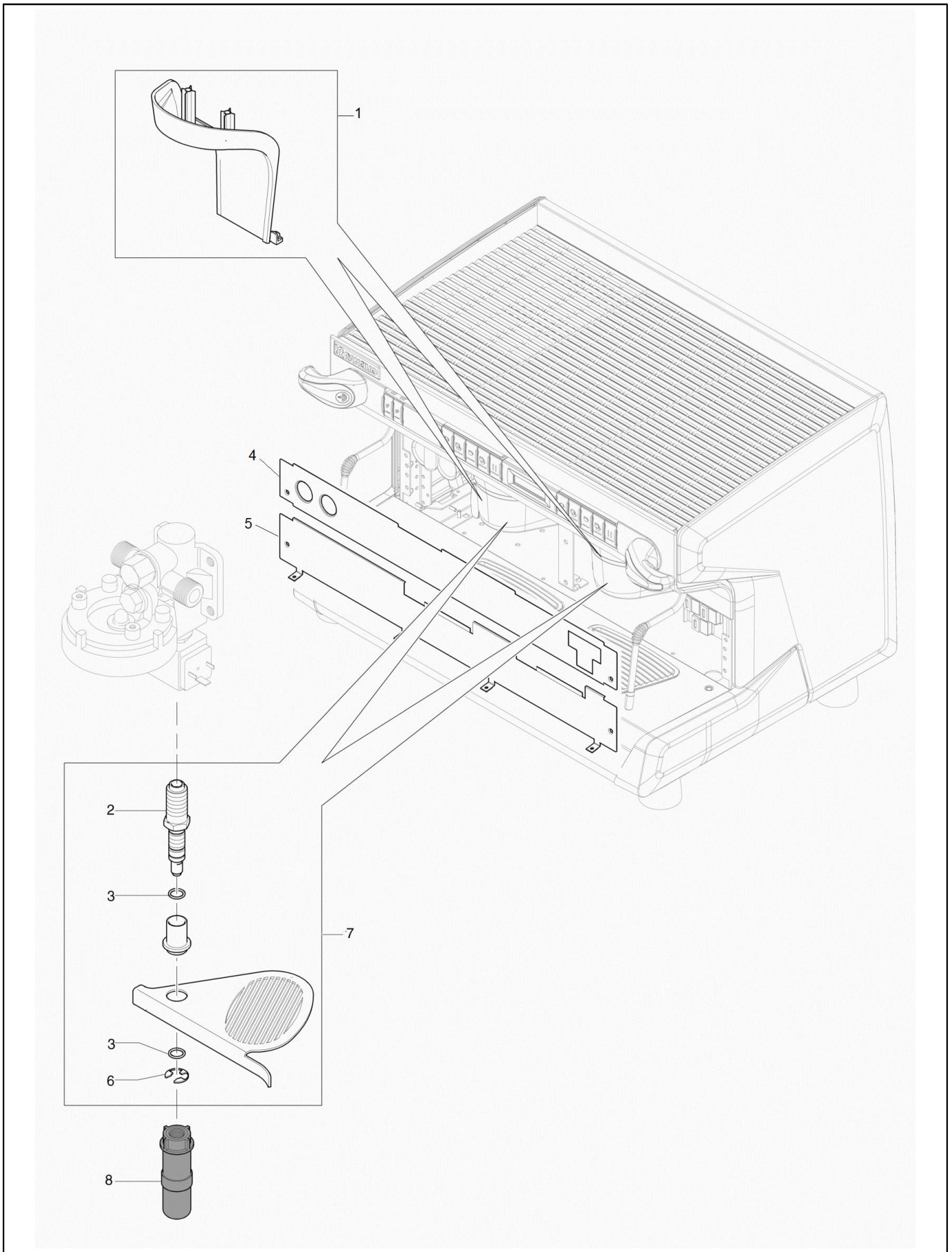
**CLASSE 9 USB**



POS.	CODE	DESCRIPTION	NOTES
1	10700331	CONTROL PANEL KIT CLASSE 9 2GR	
	10700332	CONTROL PANEL KIT CLASSE 9 3GR	
	10700333	KIT PANNELLO COMANDI C9 4GR.	
	24902055	CONTROL PANEL 2GR C9/2012	
	24902056	CONTROL PANEL 3GR C9/2012	
	24902057	CONTROL PANEL 4GR C9/2012	
2	32331747	KEYPAD SUPPORT C9USB 2GR	
	32331748	KEYPAD SUPPORT C9USB 3GR	
	32331749	KEYPAD SUPPORT C9USB 4GR	
3	10705785	WATER BUTTON CLASSE 9 X/14 PPO ASSY.	
4	10701167	KIT 5 PUSH BUTTON C7-C9 PPO	
	10705778	COFFEE KEYBOARD CLASSE 9 USB/14 PPO/LED ASSY.	
	38120262	AESTHETIC CAP CLASSE 9 USB/14	per versione 3 e 4gr. for 3 and 4gr
5	10705779	DISPLAY CLASSE 9/USB/14	
6	10110470	DISPLAY FAN	
7	38120515	HANDLE HOLE CAP	
8	42200135	CLASSE 9 PLATE/14	
9	38120508	LANCE WATER-STEAM CLOSING	
10	37154212	SCREW 4,2X13	

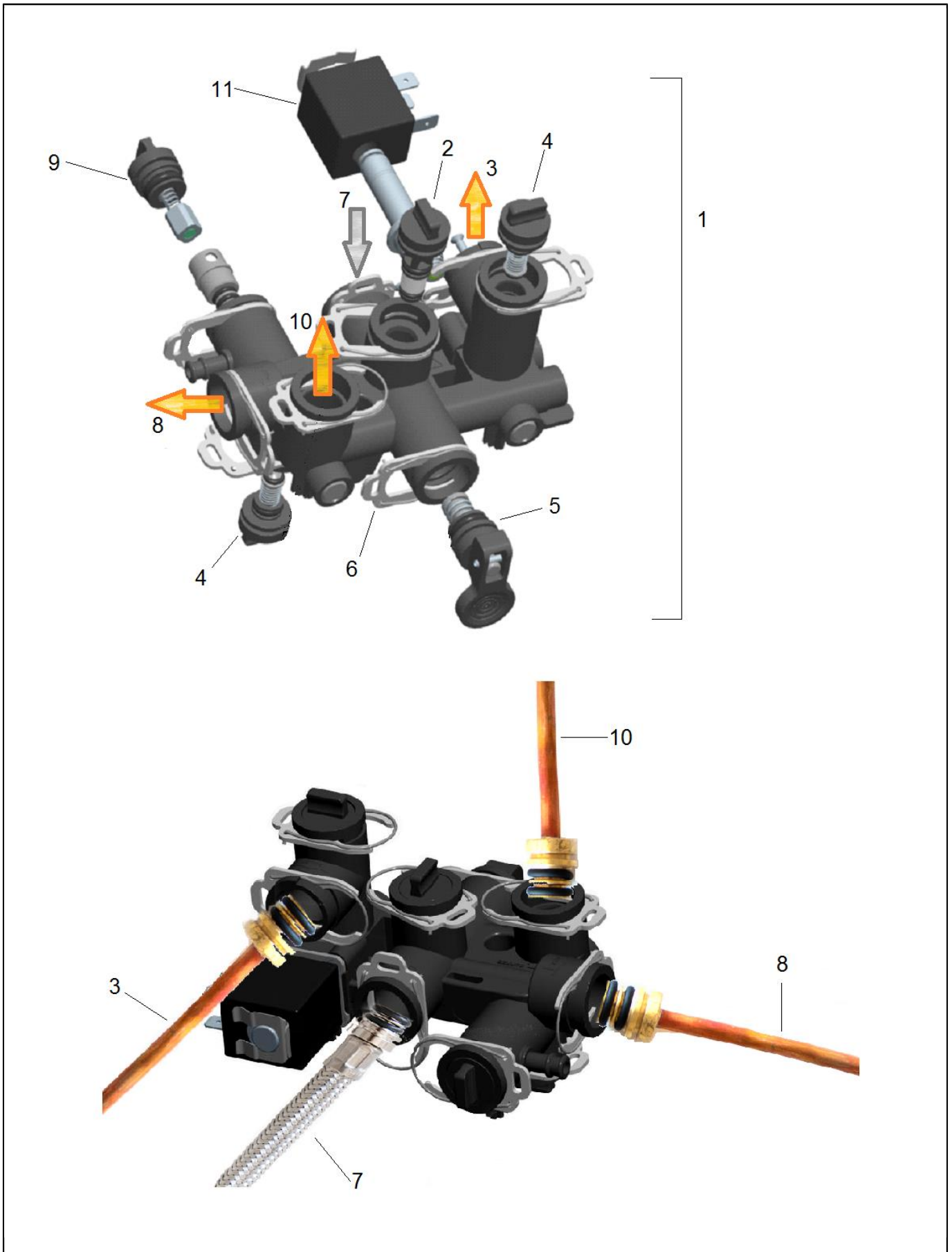


POS.	CODE	DESCRIPTION	NOTES
1	10700276	KIT CUPWARMER 2GR + SCREWS SET	
	10700277	KIT CUPWARMER 3GR + SCREWS SET	
	10700278	KIT CUPWARMER 4GR + SCREWS SET	
2	33122002	CUP-WARMER RESISTANCEANCE 230V 2GR	
	33122003	CUP-WARMER RESISTANCEANCE 230V 3GR	
	33122004	CUP-WARMER RESISTANCEANCE 230V 4GR	
3	32330971	HEATING CUP GRATE DX	
	32330973	HEATING CUP GRATE	
4	32330972	HEATING CUP GRATE SX	
5	32331726	UPPER GROUP BAND 2GR	
	32331727	UPPER GROUP BAND 3GR	
	32331728	UPPER GROUP BAND 4GR	
6	32331730	REAR PANEL 2GR CLASSE 9	
	32331731	REAR PANEL 3GR CLASSE 9	
	32331732	REAR PANEL 4GR CLASSE 9	
7	10905015	RIGHT SIDE PANEL C9	
8	10905016	LEFT SIDE PANEL C9	
9	45010240	STICKER XCELSIUS BACK PANEL	
10	10705696	LED BAR RIGHT XCELSIUS RED	
11	10705697	LED BAR LEFT XCELSIUS RED	
12	32331714	FRONT PANEL 2GR	
	32331715	FRONT PANEL 3GR	
	32331716	FRONT PANEL 4GR.	
13	32331710	PROTECTION DRAIN TRAY	
	32331711	PROTECTION DRAYN TRAY 3GR	
	32331712	PROTECTION DRAYN TRAY 4GR	
14	32331702	LOWER DRAIN TRAY BAND 2GR	
	32331703	LOWER DRAIN TRAY BAND 3GR	
	32331704	LOWER DRAIN TRAY BAND 4GR	
15	32331706	DRAIN TRAY 2GR	
	32331707	DRAIN TRAY 3GR	
	32331708	DRAIN TRAY 4GR	
16	32331736	CUP TRAY 2GR C9	
	32331737	CUP TRAY 3GR C9	
	32331738	CUP TRAY 4GR C9	
17	38120501	RIGHT BASIN SIDE	
18	38120502	LEFT BASIN SIDE	
19	38120503	LATERAL GRATE SUPPORT C9	
20	38123666	CUP TRAY MC/07	
21	38123856	LEVEL WATCH GLASS	
22	38123568	COFFEE MACHINE LEG	
23	38123921	HEATING CUPS GRATE	
24	10700940	GROUP COVER WITH XCELSIUS LOGO	
25	38120511	DRAIN TRAIN CANALIZER	
26	42200123	RANCILIO PLATE MM.145	
27	38123852	RISER FOR COFFEE MACHINE LEG	
28	10110427	WIRING FOR CUPWARMER REDUCER	
29	37030509	SCREW M5 X 10 TCB PH INOX	side panel/back panel/top panel
30	37154212	SCREW 4,2X13	front panel

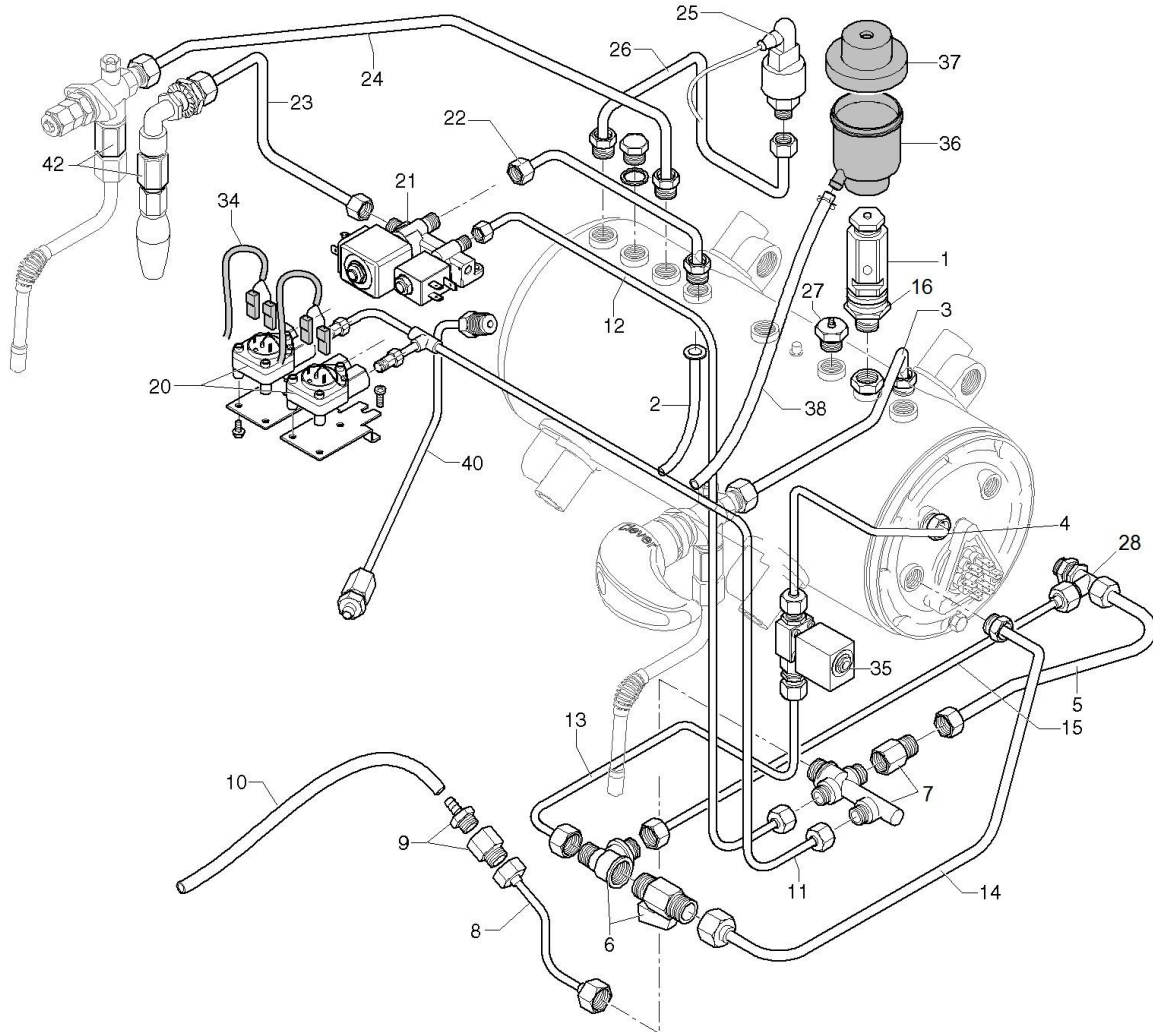




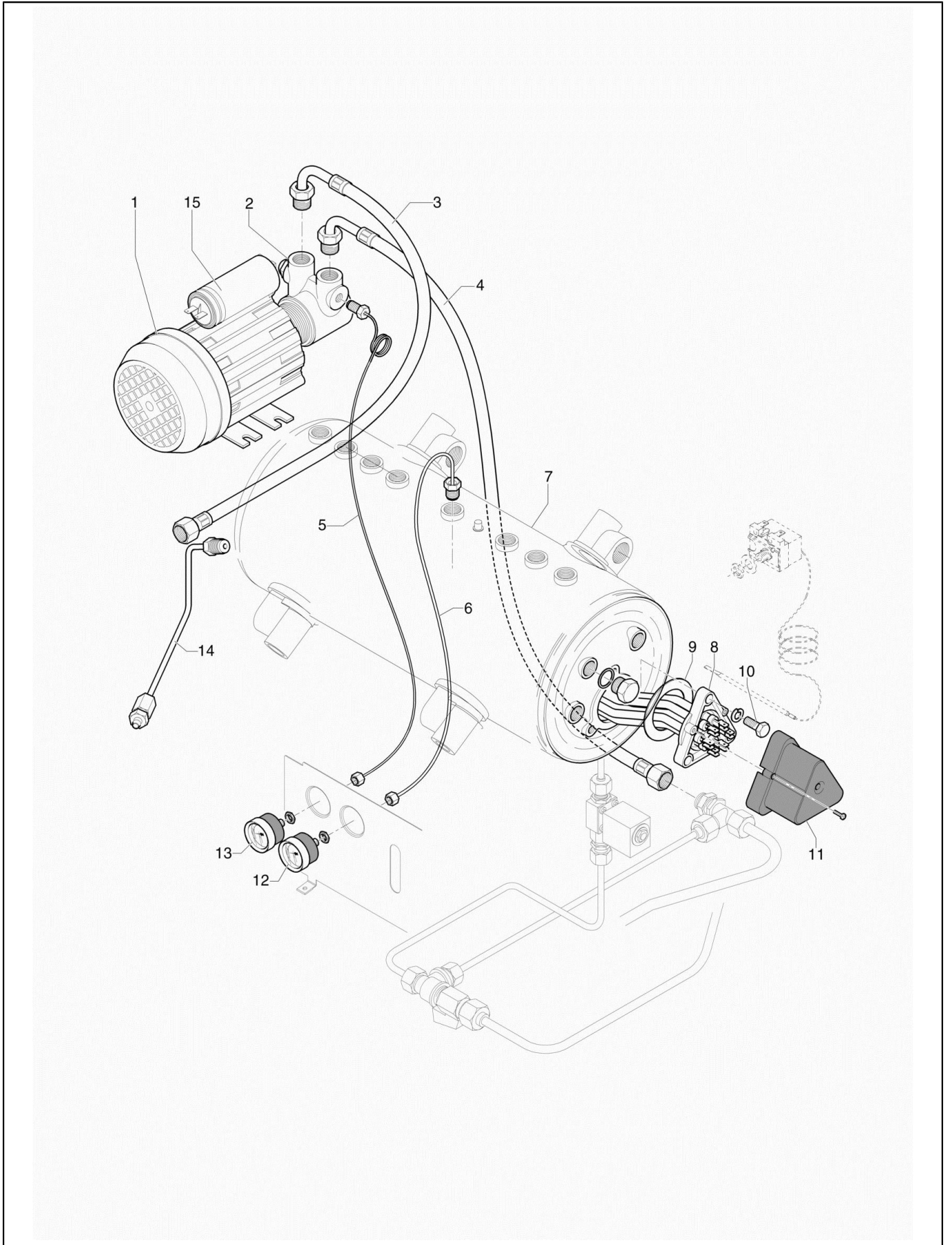
POS.	CODE	DESCRIPTION	NOTES
1	38120525	GROUPHEAD COVER CLASSE 9 TALL	
2	23000042	DRAIN ELECTROV TALL	
3	36404026	O-RING 10,82 X 1,78 V 2043	
4	32331718	UPPER FRONT PANEL 2GR. TALL C9	
	32331719	UPPER FRONT PANEL 3GR. TALL C9	
	32331720	UPPER FRONT PANEL 4GR. TALL C9	
5	32331722	LOWER FRONT PANEL 2GR. TALL C9	
	32331723	LOWER FRONT PANEL 3GR. TALL C9	
	32331724	LOWER FRONT PANEL 4GR. TALL C9	
6	37521000	ELASTIC RING DIAM.10	
7	10781163	EXTRACTIBLE RISE	
8	10090002	THERM.GROUP JETBREAKER	
9	37154212	SCREW 4,2X13	
10	37030408	SCREW M 4 X 8	



POS.	CODE	DESCRIPTION	NOTES
1	10700299	KIT STARTER HYDRO HUB 24V	
	10701244	HYDRO HUB 24V	
2	69140006	FILTER HYDRAULIC MODULE	
3	10042026	PIPE 6X4X368	
	36404052	O-RING 9,16 X 2,62 F 3037	
4	69140007	CHECK VALVE HYDRAULIC MODULE	
	69140016	CHECK VALVE CAP	
	69140017	CHECK VALVE PISTON	
	69140018	CHECK VALVE SPRING	
5	69140008	MANUAL TAP HYDRAULIC MODULE	
6	69140012	CLOSING BRACKET HYDRAULIC MODULE	
7	36404052	O-RING 9,16 X 2,62 F 3037	
	69000730	FLEX PIPE M3/8 1060 MM ELBOW	
	69000731	FLEX PIPE 3/8M-SN MM 830 ELBOW	
	69000738	FLEX PIPE M3/8 1290 MM ELBOW	
8	10042062	PIPE 6X4X690 ECONOMIZER HYDRAULIC MOD.	
	10042146	PIPE 6 X 4 X 1250 WATER MIXER-HYDRO HUB	2gr tall
	10042196	ECO TUBO MOD.IDR-ECONOM.2GR.C11	2gr
	36404052	O-RING 9,16 X 2,62 F 3037	
9	69140009	PRESSURE RELIEF VALVE HYDRAULIC MODULE	
	69140010	SPRING PRESSURE RELIEF VALVE HYDRAULIC MODULE	
	69140011	PLUNGER PRESSURE RELIEF VALVE HYDRAULIC MODULE	
	69140019	PRESSURE RELIEF VALVE CAP	
10	10046030	PIPE MANIFOLD FLOWMETER 2GR HYDRAULIC MOD.	
	10046084	ECO TUBO COLLETT-VENTOL.3GR.	
	10046085	ECO TUBO COLLETT-VENTOL.4GR.	
	10046086	ECO TUBO COLLETT-VENTOLINO 3GR.X-CELS	
	10046088	ECO TUBO COLLETT-VENTOL.2GR.TALL MOD/IDR.	
	10046089	ECO TUBO COLLETT-VENTOL.3GR.TALL MOD/IDR.	
	10046090	ECO TUBO COLLETT-VENTOL.4GR.TALL MOD/IDR.	
	10046091	ECO TUBO COLLETT-VENTOLINO 3GR.X-CELS TALL MOD/IDR	
	36404052	O-RING 9,16 X 2,62 F 3037	
11	69140013	OPERATOR KIT 24V HYDRAULIC MODULE	

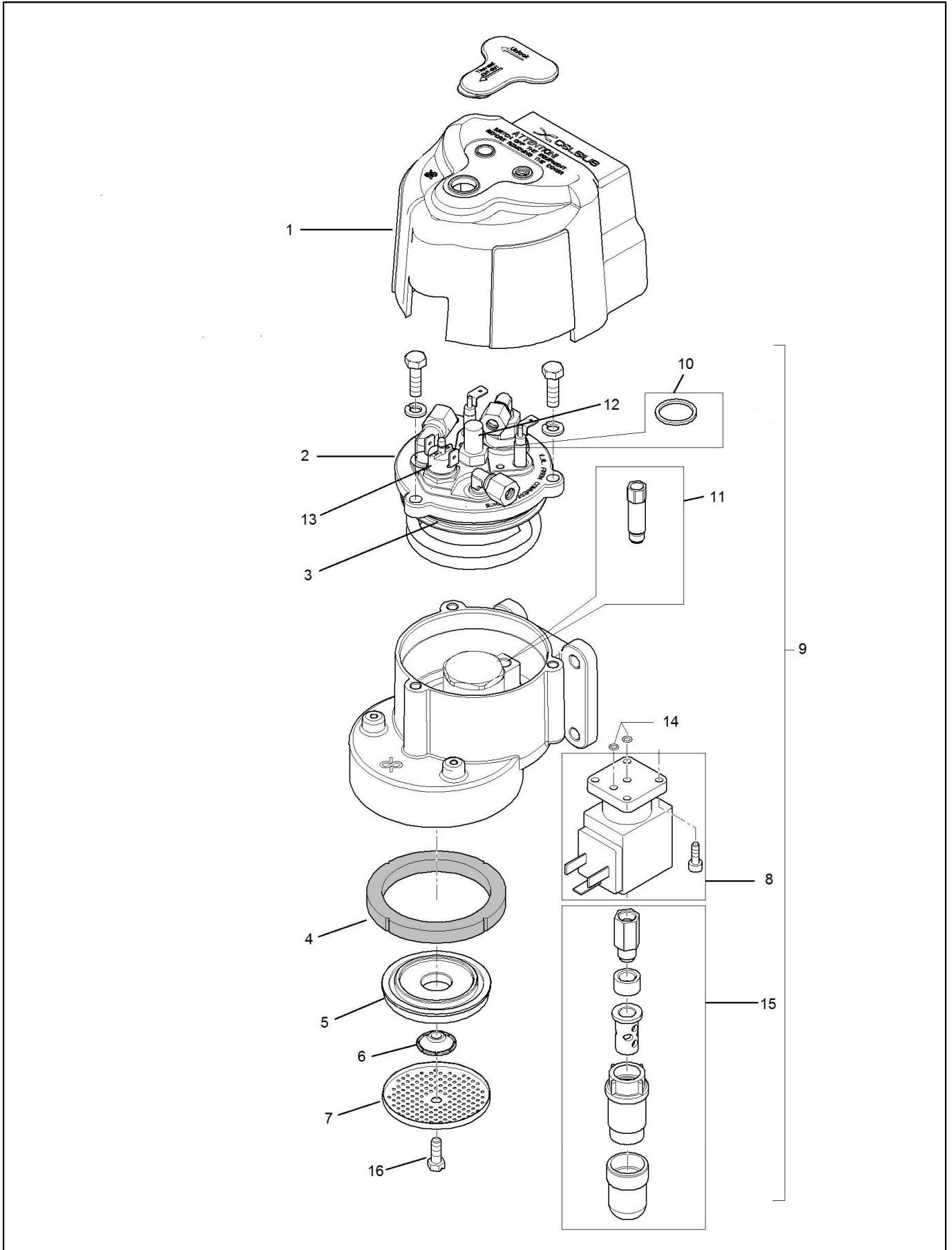


POS.	CODE	DESCRIPTION	NOTES
1	10060525	SAFETY VALVE	
2	27120130	HOT WATER SUCTION PIPE	
3	10043044	PIPE 8 X 6 X MML = 320 MM	
4	10042022	TUBE 6X4X230	
5	10043102	PIPE 8 X 6 X MML = 130 MM	
6	10706083	MANUAL WATER CHARGE ASSY	
7	10060448	CHECK VALVE	
8	10042127	PIPE 6X4X180	
9	10060479	EXPANSION VALVE 8 X G 3/8	
10	38228002	SILICONE HOSE D. 9 X 6MML = 560 MM	
11	10046014	MANIFOLD FAN PIPE 2GR	
	10046029	FLOWMETER PIPE XCELSIUS 3GR	
12	10042052	PIPE 6X4X690 F1/4	
	10042054	PIPE 6X4X1030 F1/4-FREE	
13	10042117	PIPE 6 X 4 X MML = 220 MM	
14	10043046	PIPE 8 X 6 X MML = 270 MM	
15	10043067	PIPE 8X6X210 F3/8-F3/8 2-3-4GR.	
16	23000359	SAFETY VALVE EXTENSION	
20	10705240	KIT FLOWMETER	
21	10705759	WATER MIXER 24V/2016	
22	10043130	ECO TUBO ECONOM-CALDAIA C11	
23	10043036	PIPE 8X6X185	
24	10043028	PIPE 8 X 6 X MML = 420 MM F3/8-M3/8	
25	34200288	PRESSURE SENSOR	
26	10043039	PIPE 8 X 6 X MML = 350 MM	
27	10060061	EVO ANTIVACUUM SOLENOID	
28	20123001	T JUNCTION	
34	10110402	FLOWMETER WIRING 1/2GR.	
	10110445	WIRING FAN 2-3-4 GR.	
35	10060466	ELECTROVALVE CHARGE+RETURN 24V	
36	38123947	DRAIN TANK SECURITY VALVE	
37	38123946	SECURITY VALVE TOP	
38	38228003	SILICONE HOSE D. 9 X 6MML = 480 MM	
40	10043007	BOILER DISCHARGE PIPE COMPL.	
42	23000158	EXTENSION TAP	



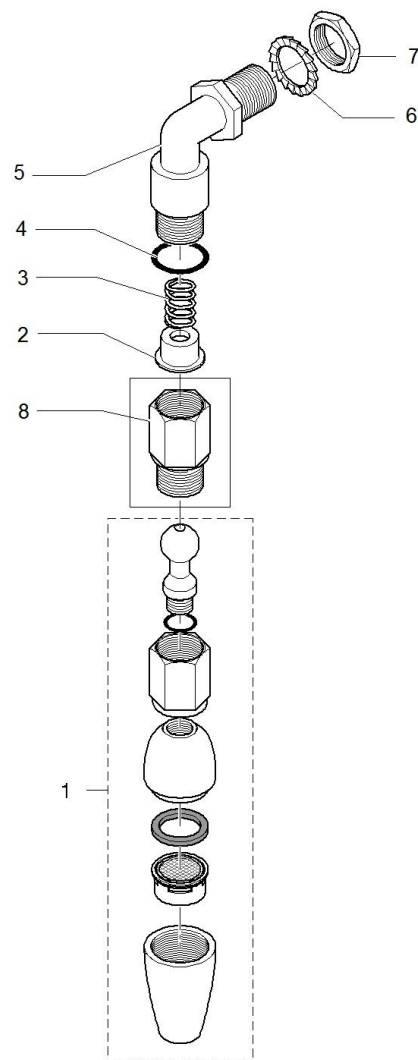
## HEATING ELEMENT/CHECK EXP. VALVE

POS.	CODE	DESCRIPTION	NOTES
1	34011009	MOTOR 110 V CE / UL	
	34011102	VM MOTOR 230V	
2	10705960	KIT PUMPING ELEMENT	
	69000993	VOLUMETRIC PUMP VM 200L/H "RANCILIO"	
3	69000734	FLEX PIPE MM1800 WITH ELBOW+CHECK VALVE	
	69000735	FLEX PIPE MM2300 WITH ELBOW+CHECK VALVE	
4	69000722	FLEX PIPE MM.500	
	69000724	FLEX PIPE MM.1200	
	69000725	PIPE FLEX MM.730	
5	69000243	PIPE CAPILLARY MANOMETER F1/8-M1/8	
6	10041042	PIPE 4 X 3 MML = 600 MM	
7	10022340N	BOILER 4GR PLATED	
	10701376	BOILER RETROFIT KIT 2GR	
	10701377	BOILER RETROFIT KIT 3GR	
	10701378	BOILER RETROFIT KIT 4GR	
	10701397	RETROFIT KIT CALDAIA 2GR NICHELATA	
	10701398	RETROFIT KIT CALDAIA 3GR NICHELATA	
8	33323004	HEATING ELEMENT CAPILL. 230V/4300W	2GR VERSION 230V
	33323005	HEATING ELEMENT+CAPIL. 230V/5400W	2GR VERSION 220V ETL 3GR VERSION 220V ETL / 230V 4GR VERSION 220V ETL / 230V
9	36930012	GASKET RESISTANCE TEFLON	
10	37040821	SCREW M 8X22	
11	38123665	COVER HEATING ELEMENT	
12	35002508	BOILER MANOMETER	
13	35002509	PUMP MANOMETER	
14	10043007	BOILER DISCHARGE PIPE COMPL.	
15	34020020	CONDENSER 8 MF RPM	
16	36240002	GASKET 1/8 COPPER	

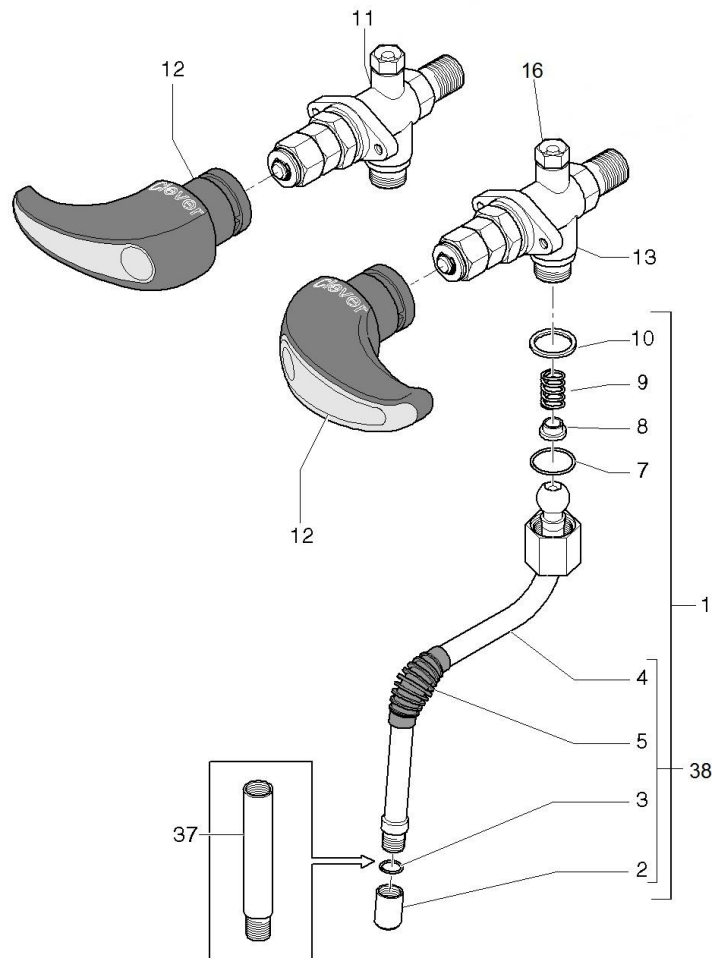
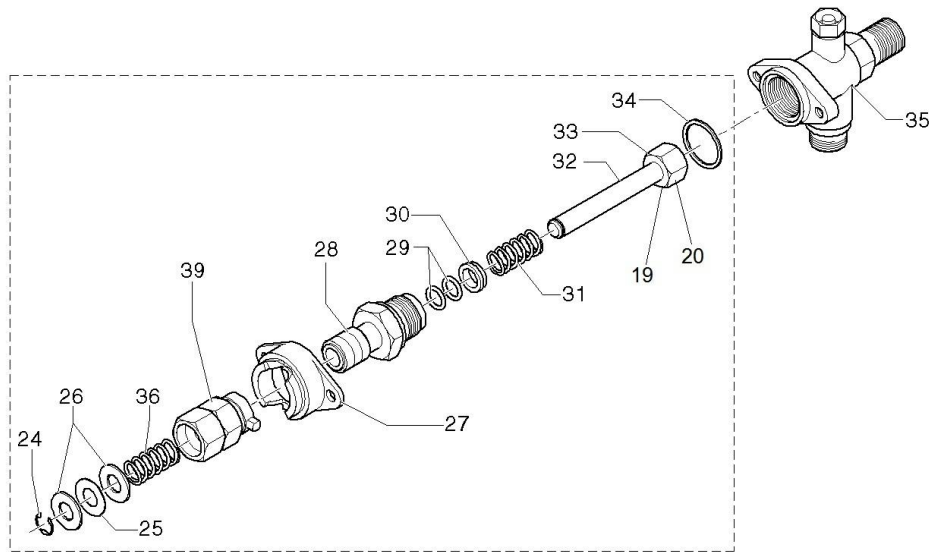




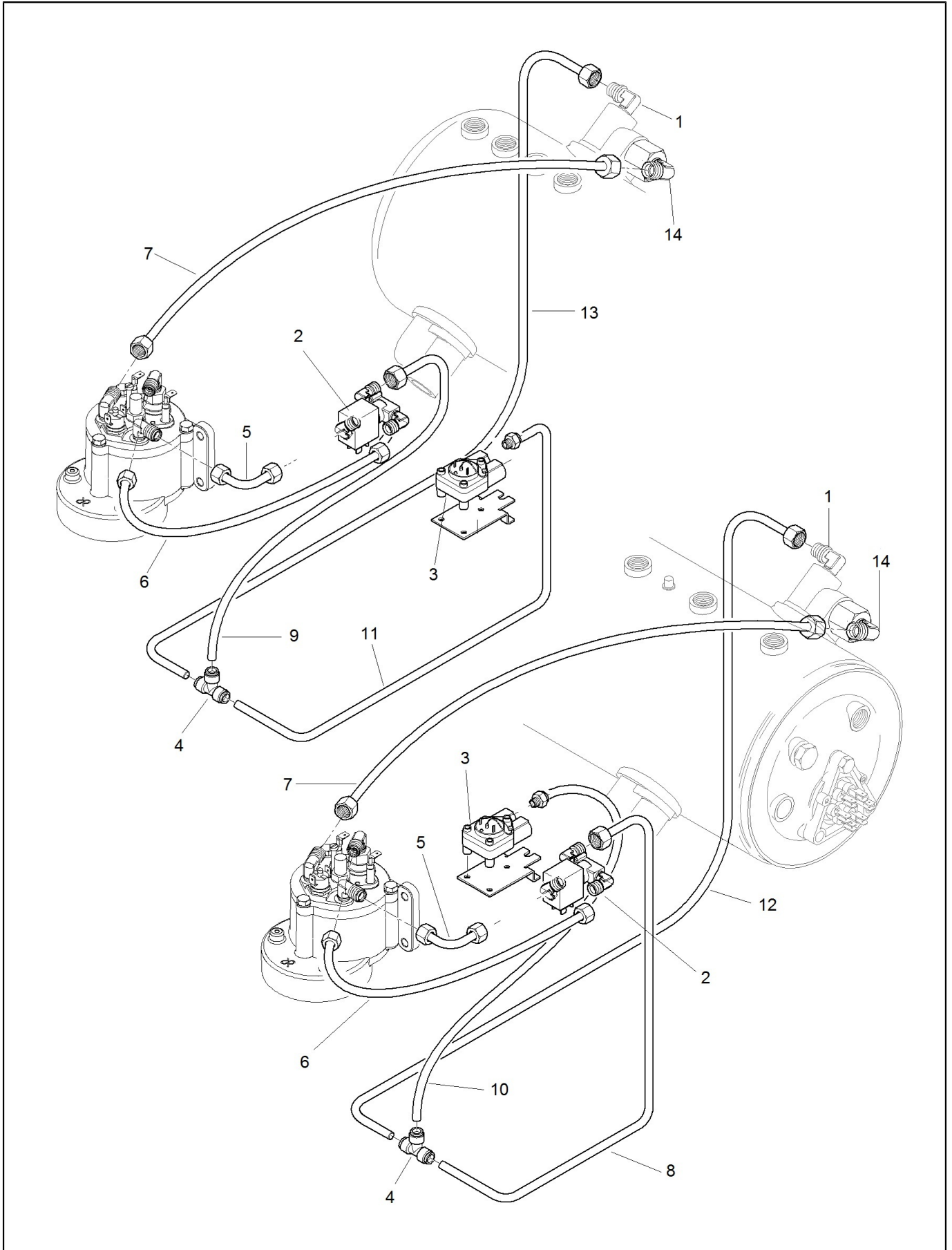
POS.	CODE	DESCRIPTION	NOTES
1	10705539	GROUP HEAD PROTECTION COVER XCELSIUS	
2	10700937	THERMOREG. GROUPHEAD COVER XCELSIUS COMPLETE	
3	36404050	O-RING 71,44 X 3,53 EPDM	
4	36301046	GROUP GASKET PEROSSIDICA HP	
5	20200182N	SHOWER HOLDER NICKEL PLATE	
6	25139001	GROUP JETBREAKER	
7	40200005	SHOWER NET	
8	34040151	ELECTROVALVE 3/2 WAYS 24V SIRAI	
9	10051184	XCELSIUS GROUP HEAD	
10	36402003	O-RING 9,25 X 1,78 V 75SH	
11	10060604	GROUP HEAD JET XCELSIUS ASSY.	
12	10110876	EXTENSION PROBE WIRING CLASSE 9X	necessaria per sonde con cavo corto, S/N 10212693 necessary for machine with short cable, S/N 10212693
	10701149	KIT TEMP.PROBE INOX+EXTENSION CLASSE 9 XCELSIUS	
	34070115	TEMPERATURE PROBE PT1000 1/8" XCELSIUS INOX	dal S/N 10212693 utilizza sonda con cavo corto, retrofit kit sonda+prolunga 1070149 from S/N 10212693 probe has short wire, retrofit kit 10701149
13	00100300.001	TEMPERATURE LIMITER 140 C	
14	36402005	O-RING ELECTROVALVE	
15	10090002	THERM.GROUP JETBREAKER	
	23000180	ELECTROVALVE EXTENSION XCELSIUS	
16	37030518	SHOWER SCREW	
17	10701365	DRAIN KIT XCELSIUS GROUP	



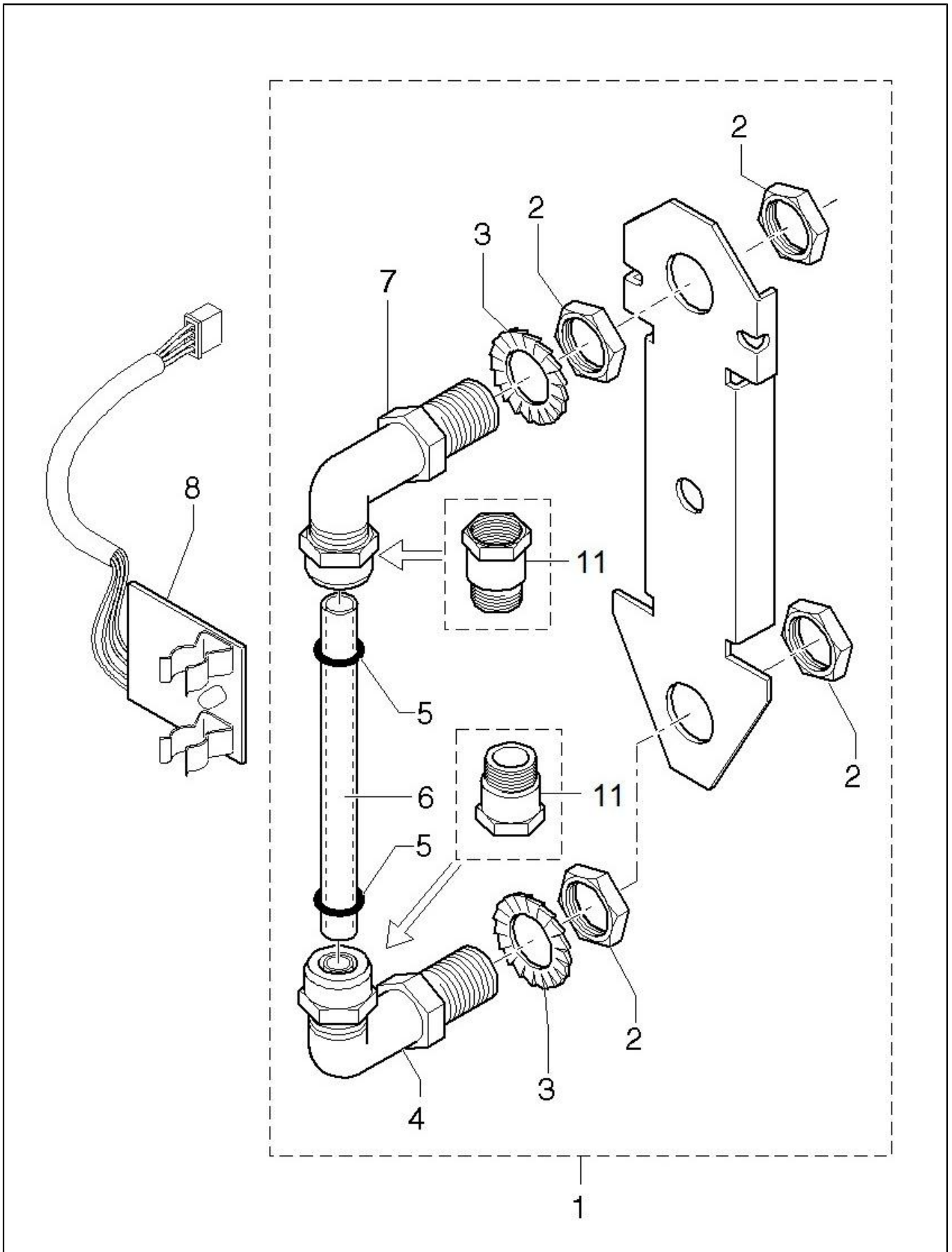
POS.	CODE	DESCRIPTION	NOTES
1	10049014	NOEPerl MIXING NOZZLE G 3/8	
2	36930016	GASKET	
3	39110038	SPRING	
4	36220009	GASKET NUT NOTE TEFLON	
5	20200113	HOT WATER CONNECTION BRASS	
6	37431600	OUTER TOOTHED WASHER D16	
7	26220005	FLAT NUT 3/8	
8	23000158	EXTENSION TAP	



POS.	CODE	DESCRIPTION	NOTES
1	10701426	LANCIA COOLTOUCH/17	
	10706034	STEAM PIPE+JOINT LG.25 INOX	CLASSE 9
2	23000121	SPRAYER LG25 D1.1	
	25111006	STEAM NOZZLE	
3	36404022	O-RING 6,4 X 1,9 R5A	
4	10049112	STEAM PIPE INOX LG 25	CLASSE 9
	10049127	LANCIA COOL TOUCH COMPLETA-C9-C11-ONE	
5	36990004	RUBBER FOR STEAM PIPES	
7	36930017	TEFLON GASKET FOR STEAM WAND NUT	
8	36930016	GASKET	
9	39110038	SPRING	
10	36220009	GASKET NUT NOTE TEFLON	
11	10060134	CLEVER/15 STEAM TAP LEFT	
	10060139	CLEVER STEAM TAP LEFT+A.V. VALVE	
12	10060181	HANDLE CLEVER	
13	10060135	CLEVER/15 STEAM TAP RIGHT	
	10060140	CLEVER STEAM TAP RIGHT+A.V. VALVE	
16	10705180	KIT AV VALVE STEAM TAP	
27	10701239	KIT CLEVER/15 CAMS PEEK RIGHT	
	10701240	KIT CLEVER/15 CAMS PEEK LEFT	
35	10705014	STEAM COCK BODY+VALVE A.VV	
39	10701239	KIT CLEVER/15 CAMS PEEK RIGHT	
	10701240	KIT CLEVER/15 CAMS PEEK LEFT	

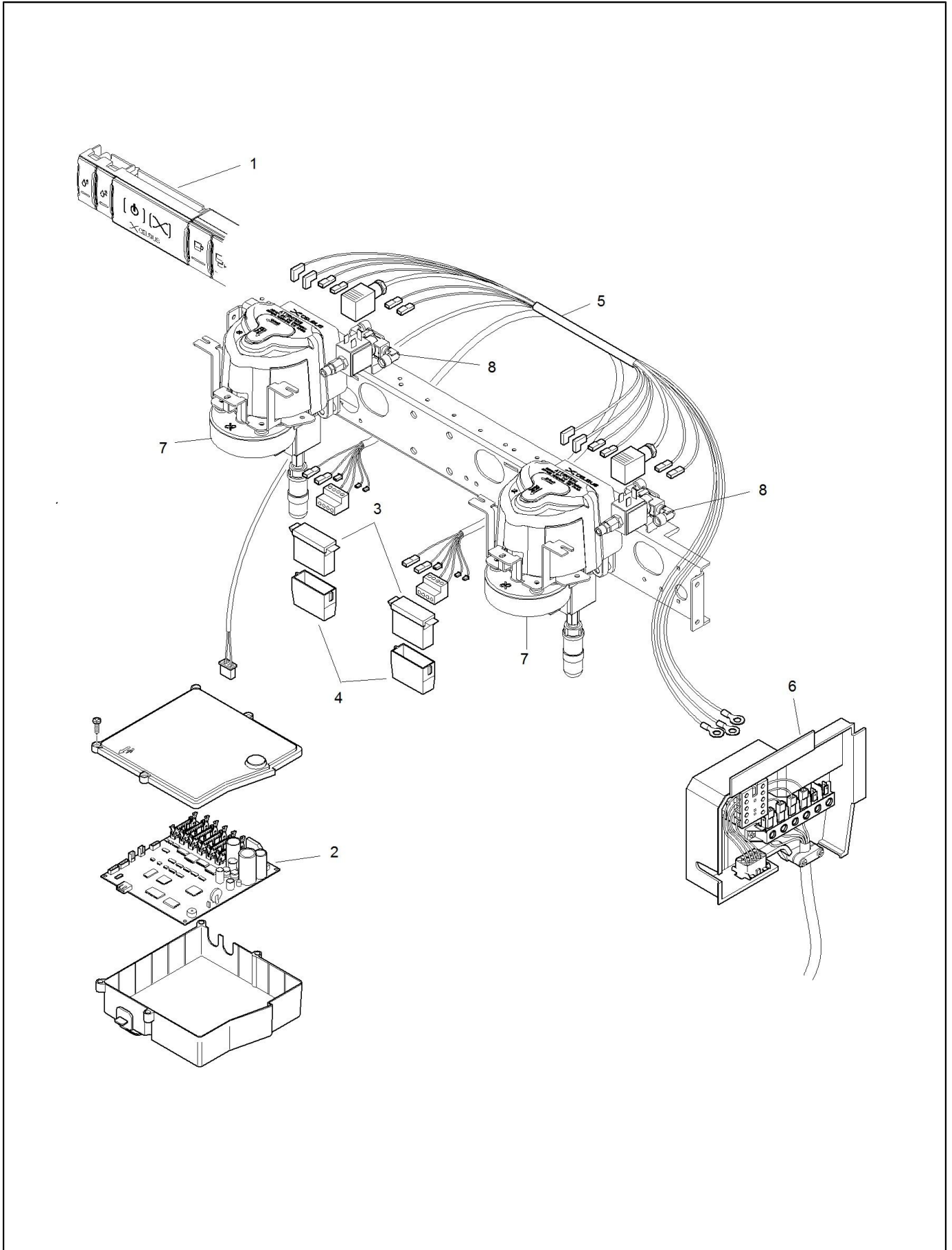


POS.	CODE	DESCRIPTION	NOTES
1	69200102	ELBOW CONNECTOR G 1/8 PIPE D. 8	
2	10705466	ELECTROVALVE PROFILING XCELSIUS D. 8	
	10705467	ELECTROVALVE PROFILING XCELSIUS TALL D. 8	
3	10705240	KIT FLOWMETER	
4	69200104	T CONNECTOR 3 WAYS PIPE D. 8	
5	10700285	PIPE GROUPHEAD PROFILING XCELSIUS (SHORT)	
6	10700286	PIPE GROUPHEAD PROFILING XCELSIUS (LONG)	
7	10700287	PIPE GROUPHEAD HEATING EXCH. XCELSIUS	
	23000185	REDUCTION D1.1 XCELSIUS	
8	10700288	PIPE PROFILING T RIGHT XCELSIUS	
	10700298	PIPE PROFILING T RIGHT XCELSIUS TALL	
9	10700289	PIPE PROFILING T LEFT XCELSIUS	
	10700297	PIPE PROFILING T LEFT XCELSIUS TALL	
10	10700290	PIPE T FLOWMETER RIGHT XCELSIUS	
	10700294	PIPE T FLOWMETER RIGHT XCELSIUS TALL	
11	10700291	PIPE T FLOWMETER LEFT XCELSIUS	
	10700295	PIPE T FLOWMETER LEFT XCELSIUS TALL	
12	10700292	PIPE T HEATING EXCH. RIGHT XCELSIUS	
13	10700293	PIPE T HEATING EXCH. LEFT XCELSIUS	
14	69200103	ELBOW G 1/8 PIPE 6	

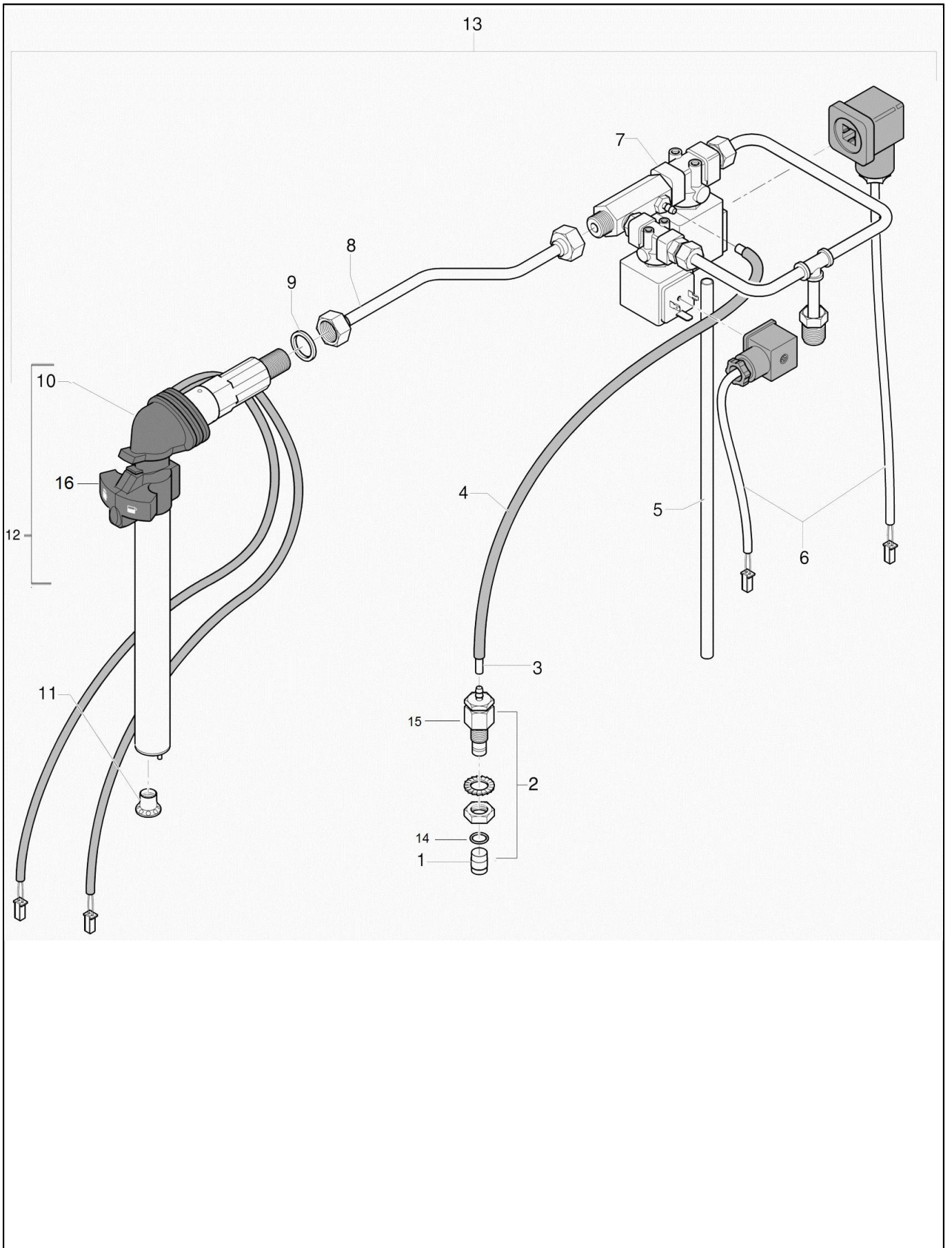




POS.	CODE	DESCRIPTION	NOTES
1	10060383	LEVEL INDICATOR CLASSE 9/13	
2	26220005	FLAT NUT 3/8	
3	37430600	TOOTH LOCK WASHER D. 6	
4	20121103	JUNCTION FOR LEVEL	
5	36402003	O-RING 9,25 X 1,78 V 75SH	
6	38228066	TEFLON PIPE D.10X8X107,5	
7	23222035	LONG JUNCTION 3/8	
8	34070211	LEVEL BOARD	



POS.	CODE	DESCRIPTION	NOTES
1	10705785	WATER BUTTON CLASSE 9 X/14 PPO ASSY.	
2	10700983	KIT CPU BOARD C9 USB/XCELSIUS	
3	10110383	ELECTRIC BOX GR. XCELSIUS	
4	36990031	SPRAY PROTECTION COVER XCELSIUS	
5	10110681	XCELSIUS WIRING 2GR	
	10110682	XCELSIUS WIRING 3GR	
6	10110375	ELECTRIC BOX 230V+FILTER EMC	
	10110773	WIRING RELAY BOILER OVERPRESSURE CLASSE 10 CLASSE	
	34021007	EMC FILTER 3POLE	
	34150026	CLAMP 4 POSITION	
	34200097	SAVE- HEATING ELEMENT EGO MONOF.	
	34200332	MINI-CONTACTOR 220-240V	
	34300073	CABLE	
	34300079	POWER SUPPLY CABLE2N 380 - 415V	
7	10051184	XCELSIUS GROUP HEAD	
8	10705466	ELECTROVALVE PROFILING XCELSIUS D. 8	
	10705467	ELECTROVALVE PROFILING XCELSIUS TALL D. 8	



POS.	CODE	DESCRIPTION	NOTES
1	23000092	FLOW LIMITER D. 0,25 MM	
	23000093	FLOW LIMITER D. 0,35 MM	
	23000192	JET ISTEAM YOUSTEAM D. 0,15	
2	10705320	AIR INPUT VALVE	
3	38228016	SILICON PIPE D5X3	
4	34209124	SHEATH PLAITED POLIESTER UL94	
5	38228002	SILICONE HOSE D. 9 X 6MML = 560 MM	
6	10110420	WIRING GROUP/WATER EV.	
7	10705575	ASSEMBLY ELETTR. -VENTURI ISTEAM	
8	10043067	PIPE 8X6X210 F3/8-F3/8 2-3-4GR.	
9	23000091	DISTANCE STEAM TAP BODY ISTEAM	
10	36990017	STEAM SHROUD ISTEAM	
11	23000098T	ISTEAM SPRAYER	
12	10705350	KIT ISTEAM LONG	250mm
13	10705980	RETROFIT KIT ISTEAM CLASSE 9 USB	
14	36404013	O-RING SILICONE 2031	
15	36230017	DUCKBILL	

Code	No. table	Pos.
00100300.001	2006	13
10022340N	2003	7
10041042	2003	6
10042022	2002	4
10042026	2013	3
10042052	2002	12
10042054	2002	12
10042062	2013	8
10042117	2002	13
10042127	2002	8
10042146	2013	8
10042196	2013	8
10043007	2002	40
10043007	2003	14
10043028	2002	24
10043036	2002	23
10043039	2002	26
10043044	2002	3
10043046	2002	14
10043067	2002	15
10043067	4000	8
10043102	2002	5
10043130	2002	22
10046014	2002	11
10046029	2002	11
10046030	2013	10
10046084	2013	10
10046085	2013	10
10046086	2013	10
10046088	2013	10
10046089	2013	10
10046090	2013	10
10046091	2013	10
10049014	2007	1
10049112	2008	4
10049127	2008	4
10051184	2006	9
10051184	3002	7
10060061	2002	27
10060134	2008	11
10060135	2008	13
10060139	2008	11
10060140	2008	13
10060181	2008	12
10060383	2010	1
10060448	2002	7
10060466	2002	35
10060479	2002	9
10060525	2002	1
10060604	2006	11
10090002	1003	8
10090002	2006	15
10110375	3002	6
10110383	3002	3
10110402	2002	34
10110420	4000	6
10110427	1000	28
10110445	2002	34
10110470	1001_1	6
10110681	3002	5
10110682	3002	5
10110773	3002	6
10110876	2006	12
10700276	1000	1
10700277	1000	1
10700278	1000	1
10700285	2009	5

Code	No. table	Pos.
10700286	2009	6
10700287	2009	7
10700288	2009	8
10700289	2009	9
10700290	2009	10
10700291	2009	11
10700292	2009	12
10700293	2009	13
10700294	2009	10
10700295	2009	11
10700297	2009	9
10700298	2009	8
10700299	2013	1
10700331	1001_1	1
10700332	1001_1	1
10700333	1001_1	1
10700937	2006	2
10700940	1000	24
10700983	3002	2
10701149	2006	12
10701167	1001_1	4
10701239	2008	27
10701239	2008	39
10701240	2008	27
10701240	2008	39
10701244	2013	1
10701365	2006	17
10701376	2003	7
10701377	2003	7
10701378	2003	7
10701397	2003	7
10701398	2003	7
10701426	2008	1
10705014	2008	35
10705180	2008	16
10705240	2002	20
10705240	2009	3
10705320	4000	2
10705350	4000	12
10705466	2009	2
10705466	3002	8
10705467	2009	2
10705467	3002	8
10705539	2006	1
10705575	4000	7
10705696	1000	10
10705697	1000	11
10705759	2002	21
10705778	1001_1	4
10705779	1001_1	5
10705785	1001_1	3
10705785	3002	1
10705960	2003	2
10705980	4000	13
10706034	2008	1
10706083	2002	6
10781163	1003	7
10905015	1000	7
10905016	1000	8
20121103	2010	4
20123001	2002	28
20200113	2007	5
20200182N	2006	5
23000042	1003	2
23000091	4000	9
23000092	4000	1
23000093	4000	1

Code	No. table	Pos.
23000098T	4000	11
23000121	2008	2
23000158	2002	42
23000158	2007	8
23000180	2006	15
23000185	2009	7
23000192	4000	1
23000359	2002	16
23222035	2010	7
24902055	1001_1	1
24902056	1001_1	1
24902057	1001_1	1
25111006	2008	2
25139001	2006	6
26220005	2007	7
26220005	2010	2
27120130	2002	2
32330971	1000	3
32330972	1000	4
32330973	1000	3
32331702	1000	14
32331703	1000	14
32331704	1000	14
32331706	1000	15
32331707	1000	15
32331708	1000	15
32331710	1000	13
32331711	1000	13
32331712	1000	13
32331714	1000	12
32331715	1000	12
32331716	1000	12
32331718	1003	4
32331719	1003	4
32331720	1003	4
32331722	1003	5
32331723	1003	5
32331724	1003	5
32331726	1000	5
32331727	1000	5
32331728	1000	5
32331730	1000	6
32331731	1000	6
32331732	1000	6
32331736	1000	16
32331737	1000	16
32331738	1000	16
32331747	1001_1	2
32331748	1001_1	2
32331749	1001_1	2
33122002	1000	2
33122003	1000	2
33122004	1000	2
33323004	2003	8
33323005	2003	8
34011009	2003	1
34011102	2003	1
34020020	2003	15
34021007	3002	6
34040151	2006	8
34070115	2006	12
34070211	2010	8
34150026	3002	6
34200097	3002	6
34200288	2002	25
34200332	3002	6
34209124	4000	4

Code	No. table	Pos.
34300073	3002	6
34300079	3002	6
35002508	2003	12
35002509	2003	13
36220009	2007	4
36220009	2008	10
36230017	4000	15
36240002	2003	16
36301046	2006	4
36402003	2006	10
36402003	2010	5
36402005	2006	14
36404013	4000	14
36404022	2008	3
36404026	1003	3
36404050	2006	3
36404052	2013	10
36404052	2013	3
36404052	2013	7
36404052	2013	8
36930012	2003	9
36930016	2007	2
36930016	2008	8
36930017	2008	7
36990004	2008	5
36990017	4000	10
36990031	3002	4
37030408	1003	10
37030509	1000	29
37030518	2006	16
37040821	2003	10
37154212	1000	30
37154212	1001_1	10
37154212	1003	9
37430600	2010	3
37431600	2007	6
37521000	1003	6
38120262	1001_1	4
38120501	1000	17
38120502	1000	18
38120503	1000	19
38120508	1001_1	9
38120511	1000	25
38120515	1001_1	7
38120525	1003	1
38123568	1000	22
38123665	2003	11
38123666	1000	20
38123852	1000	27
38123856	1000	21
38123921	1000	23
38123946	2002	37
38123947	2002	36
38228002	2002	10
38228002	4000	5
38228003	2002	38
38228016	4000	3
38228066	2010	6
39110038	2007	3
39110038	2008	9
40200005	2006	7
42200123	1000	26
42200135	1001_1	8
45010240	1000	9
69000243	2003	5
69000722	2003	4
69000724	2003	4

Code	No. table	Pos.
69000725	2003	4
69000730	2013	7
69000731	2013	7
69000734	2003	3
69000735	2003	3
69000738	2013	7
69000993	2003	2
69140006	2013	2
69140007	2013	4
69140008	2013	5
69140009	2013	9
69140010	2013	9
69140011	2013	9
69140012	2013	6
69140013	2013	11
69140016	2013	4
69140017	2013	4
69140018	2013	4
69140019	2013	9
69200102	2009	1
69200103	2009	14
69200104	2009	4



## Headquarters, Production Plant and R&D Centers

### Rancilio Group s.p.a.

Viale della Repubblica 40  
20010 Villastanza di Parabiago  
Milano - Italy  
Tel +39 0331 408200  
Fax +39 0331 551437  
[www.ranciliogroup.com](http://www.ranciliogroup.com)  
[info@ranciliogroup.com](mailto:info@ranciliogroup.com)

### Egro Suisse AG

Bahnhofstrasse 66  
5605 Dottikon, Switzerland  
Tel. +41 (0)56 616 95 95  
Fax +41 (0)56 616 95 97  
[www.egrocoffee.com](http://www.egrocoffee.com)  
[info@egrocoffee.com](mailto:info@egrocoffee.com)

## Worldwide Branch Locations

### SPAIN

RancilioGroup Espana, s.a.  
Gran Via de Carlos III, 84 3ª  
Edificio Trade  
08028 Barcelona - Spain  
Tel. +34 902 884 275  
Tel. +34 934 923 414  
Fax +34 934 965 701  
[www.ranciliogroup.com](http://www.ranciliogroup.com)  
[info-es@ranciliogroup.com](mailto:info-es@ranciliogroup.com)

### PORTUGAL

Rancilio Group Portugal Lda  
Estrada da Falagueira nº 68 E  
2700-365 Amadora-Lisboa - Portugal  
Tel. +351 21 019 10 91  
Fax +351 21 019 10 91  
  
Rua Nova do Seixo 1282  
4465-706 Leça do Balio-Porto - Portugal  
Tel. +351 22 010 14 19  
Fax +351 22 010 14 19  
[www.ranciliogroup.com](http://www.ranciliogroup.com)  
[info-pt@ranciliogroup.com](mailto:info-pt@ranciliogroup.com)

### GERMANY

Rancilio Group Deutschland GmbH  
Talstrasse 27  
97990 Weikersheim - Germany  
Ph. +49 7934 99 29 30  
Fax +49 7934 99 29 330  
[www.ranciliogroup.de](http://www.ranciliogroup.de)  
[info-de@ranciliogroup.com](mailto:info-de@ranciliogroup.com)

### SWITZERLAND

Egro Suisse AG  
Bahnhofstrasse 66  
5605 Dottikon - Switzerland  
Tel. +41 (0)56 616 95 95  
Fax +41 (0)56 616 95 97  
[www.egrosuisse.ch](http://www.egrosuisse.ch)  
[info@egrosuisse.ch](mailto:info@egrosuisse.ch)

### USA/CANADA

Rancilio Group North America Inc.  
1340 Internationale Parkway / Suite 200  
Woodridge, IL 60517 - U.S.A.  
Ph: +1 630 914 7900  
Fax: +1 630 914 7901  
Toll Free: +1 877 726 2454  
[www.ranciliogroup.com](http://www.ranciliogroup.com)  
[info@ranciliogroupna.com](mailto:info@ranciliogroupna.com)



