

---

DESPIECE TECNICO

---

**Hornos eléctricos**  
**Fours électriques**  
**Electric ovens**  
**Elektro heissluftdämpfer**  
**Forni elettrici**  
**Fornos eletricos**

**Modelos:**

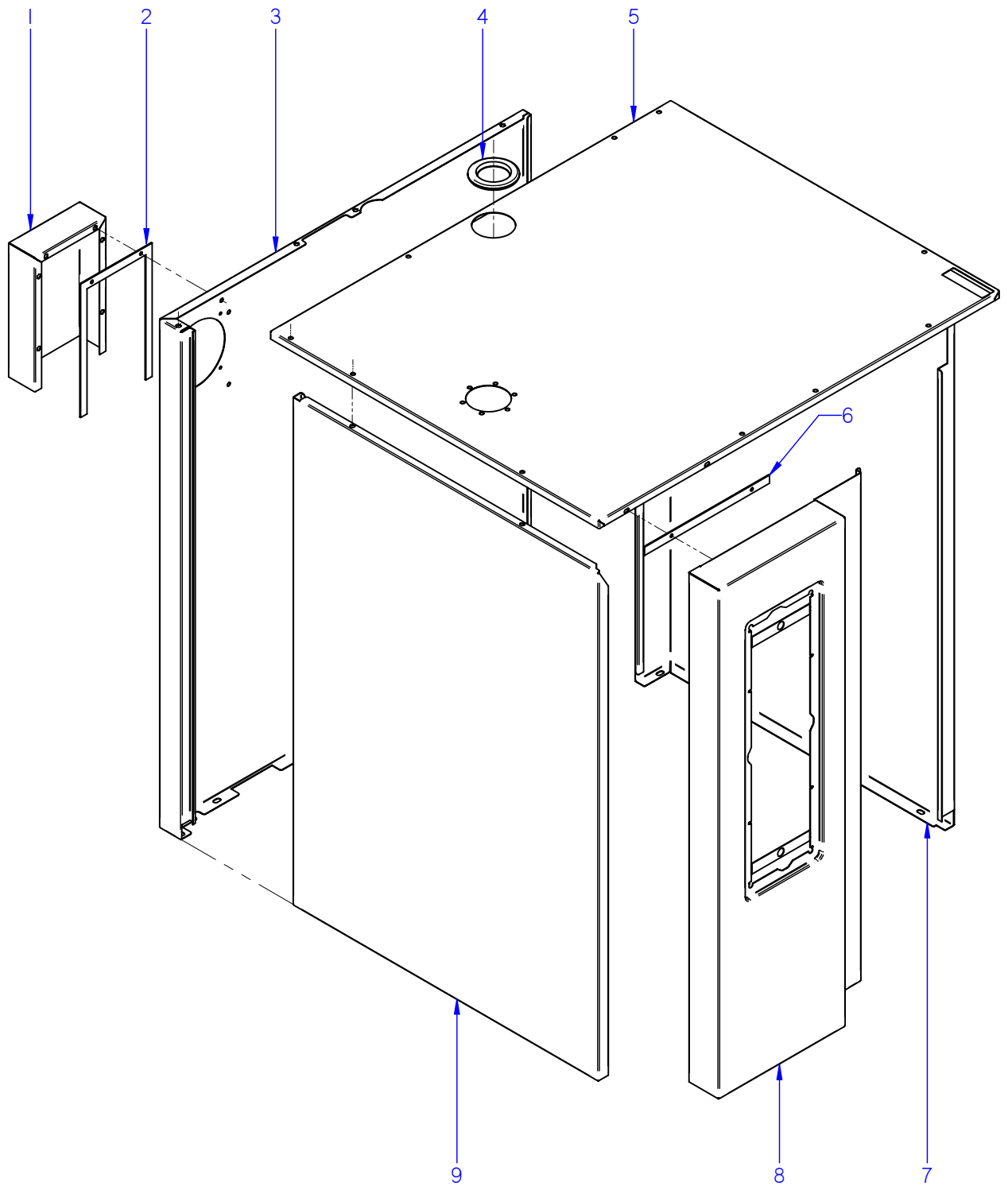
**AE-061**  
**ACE-061**  
**APE-061**  
**AE-101**  
**ACE-101**  
**APE-101**

***Septiembre 2012 September***  
***Revisado Octubre 2013 October Revised***



---

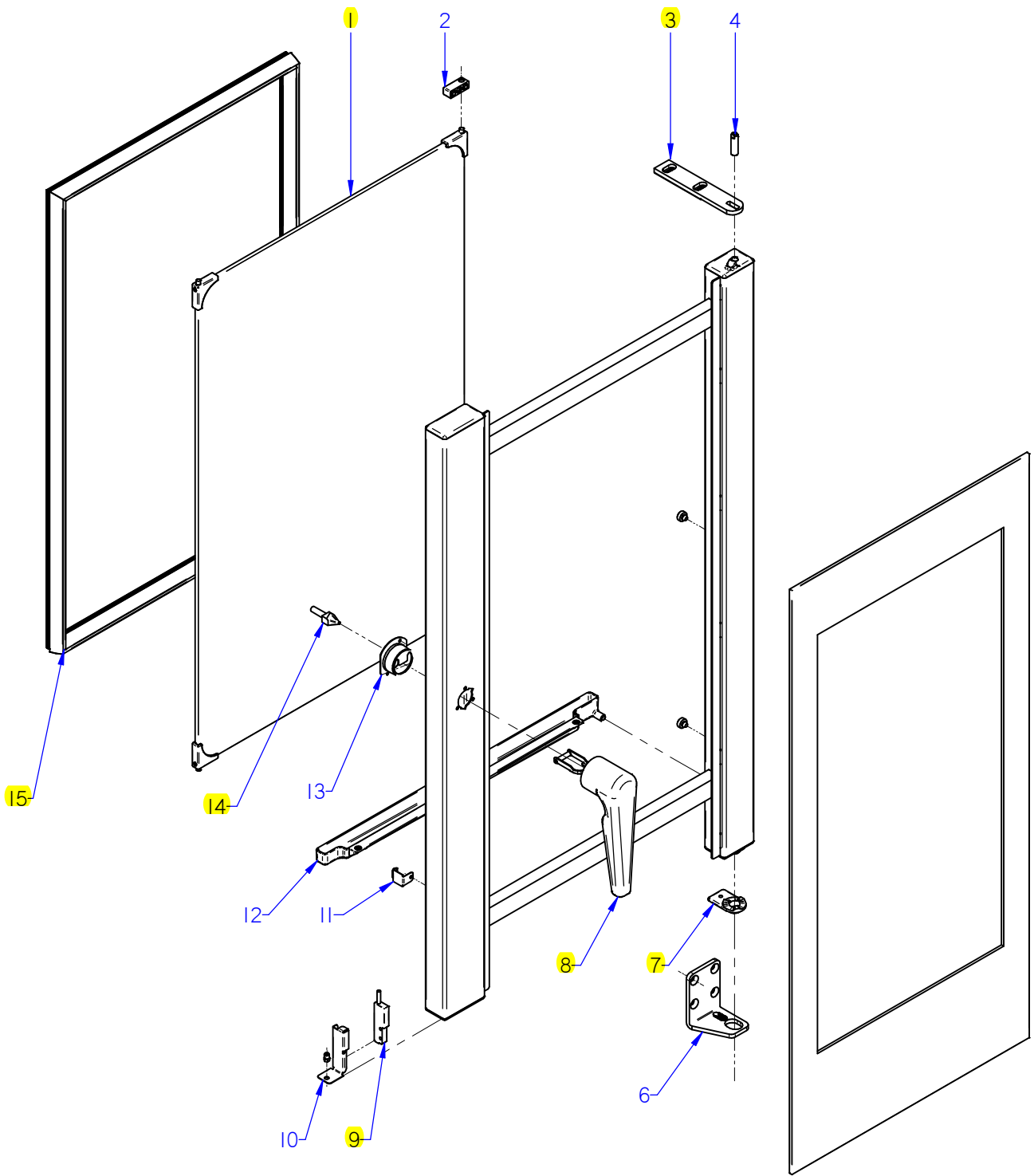
F A G O R I N D U S T R I A L



ITEM MARCADO EN COLOR = REPUESTO RECOMENDADO  
 COLOURED ITEM = RECOMMENDED SPARE PART

Nº plano / N° plane	Firma	Fecha / Date	Denominación / Denomination:	MUEBLE / UNIT	Lamina / Sheet	Fagor Industrial S.Coop. <b>FAGOR</b>
C-3000	<i>[Signature]</i>	2012-09	HORNOS AE; ACE; APE-061 / 101		1	Oñate

MOD.	HORNOS / OVEN		ZONA / ZONE	MUEBLE / UNIT						PLANO DIAGRAM	C-3000			
ITEM	CODIGO REFERENCE	DENOMINACION	DENOMINATION	ACE-061	AE-061	APE-061	ACE-101	AE-101	APE-101			ELIMINADO ELIMINATED	INTRODUCID. INTRODUCED	NOTAS
1	12022537	CHAPA SEPARACION IPX5	SEPARATION PLATE IPX5	1	1	1	1	1	1					
	12010163	REMACHE EXAGONAL M.5	HEXAGONAL RIVET M.5	11	11	11	11	11	11					
2	12024082	JUNTA IPX5	SEAL IPX5	1	1	1	1	1	1					
	12009944	ARANDELA A5	FLAT WASHER A.5	6	6	6	6	6	6					
	12009890	ARANDELA ABANICO A5 A.304	FAN SHAPED WASHER A.5	6	6	6	6	6	6					
	12010267	ARANDELA 16X6X1.2 A.304	FLAT WASHER 16X6X1.2 A.304	7	7	7	7	7	7					
	12009882	ARANDELA ABANICO A6 A.304	FAN SHAPED WASHER A.6	7	7	7	7	7	7					
	12010249	TORNILLO EXAGONAL M4X10	HEXAGONAL BOLT M4X10	7	7	7	7	7	7					
	12010186	TORNILLO EXAGONAL M6X15 A304	HEXAGONAL SCREW M6X15	6	6	6	6	6	6					
3	12039596	PANEL POSTER EXTER 061	REAR EXTERIOR PANEL061	1	1	1								
3	12039494	PANEL POSTER EXTER 101	REAR EXTERIOR PANEL101				1	1	1					
4	12024231	PASAMUROS CHIMENEA 10100336	FEED THROUGH FLUE PIPE 1010	1	1	1	1	1	1					
	12010242	TORNIL. APLASTADO M5X13 A 304	FLAT SCREW M.5x13	7	7	7	7	7	7					
5	12043723	PANEL SUPER. EXTERIOR APE 061	SUP. EXTERIOR PANEL APE 061	1	1	1	1	1	1					
6	12039495	JUNTA PORTAMANDOS 101-102	CONTROL PANEL SEAL 101-102	1	1	1	1	1	1					
7	12043484	PANEL DERECHO ADV ELEC 061	RIGHT PANEL ADV ELEC 061	1	1	1								
7	12043609	PANEL DERECHO ADV ELEC 101	RIGHT PANEL ADV ELEC 101				1	1	1					
8	12043680	PORTAMANDOS ACE 061	CONTROL PANEL ACE 061	1								16.09.13		
8	12043666	PORTAMANDOS AE 061	CONTROL PANEL AE 061		1							16.09.13		
8	12039625	PORTAMANDOS APE 061	CONTROL PANEL APE 061	1	1								16.09.13	
8	12039625	PORTAMANDOS APE 061	CONTROL PANEL APE 061			1								
8	12043806	PORTAMANDOS ACE101	CONTROL PANEL ACE101				1					16.09.13		
8	12039533	PORTAMANDOS AG 101	CONTROL PANEL AG 101					1				16.09.13		
8	12043767	PORTAMANDOS APE-APG 101	CONTROL PANEL APE-APG 101				1	1					16.09.13	
8	12043767	PORTAMANDOS APE-APG 101	CONTROL PANEL APE-APG 101						1					
9	12043530	PANEL EXTER. IZDO. ADV ELEC.06	REAR LEFT PANEL ADV ELE.061	1	1	1								
9	12043702	PANEL EXTER. IZDO. ADV ELEC.10	REAR LEFT PANEL ADV ELE.101				1	1	1					
	12010267	ARANDELA 16X6X1.2 A.304	FLAT WASHER 16X6X1.2 A.304	2	2	2	2	2	2					
	12009882	ARANDELA ABANICO A6 A.304	FAN SHAPED WASHER A.6	2	2	2	2	2	2					
	12010186	TORNILLO EXAGONAL M6X15 A304	HEXAGONAL SCREW M6X15	2	2	2	2	2	2					
	12010242	TORNIL. APLASTADO M5X13 A 304	FLAT SCREW M.5x13	2	2	2	2	2	2					

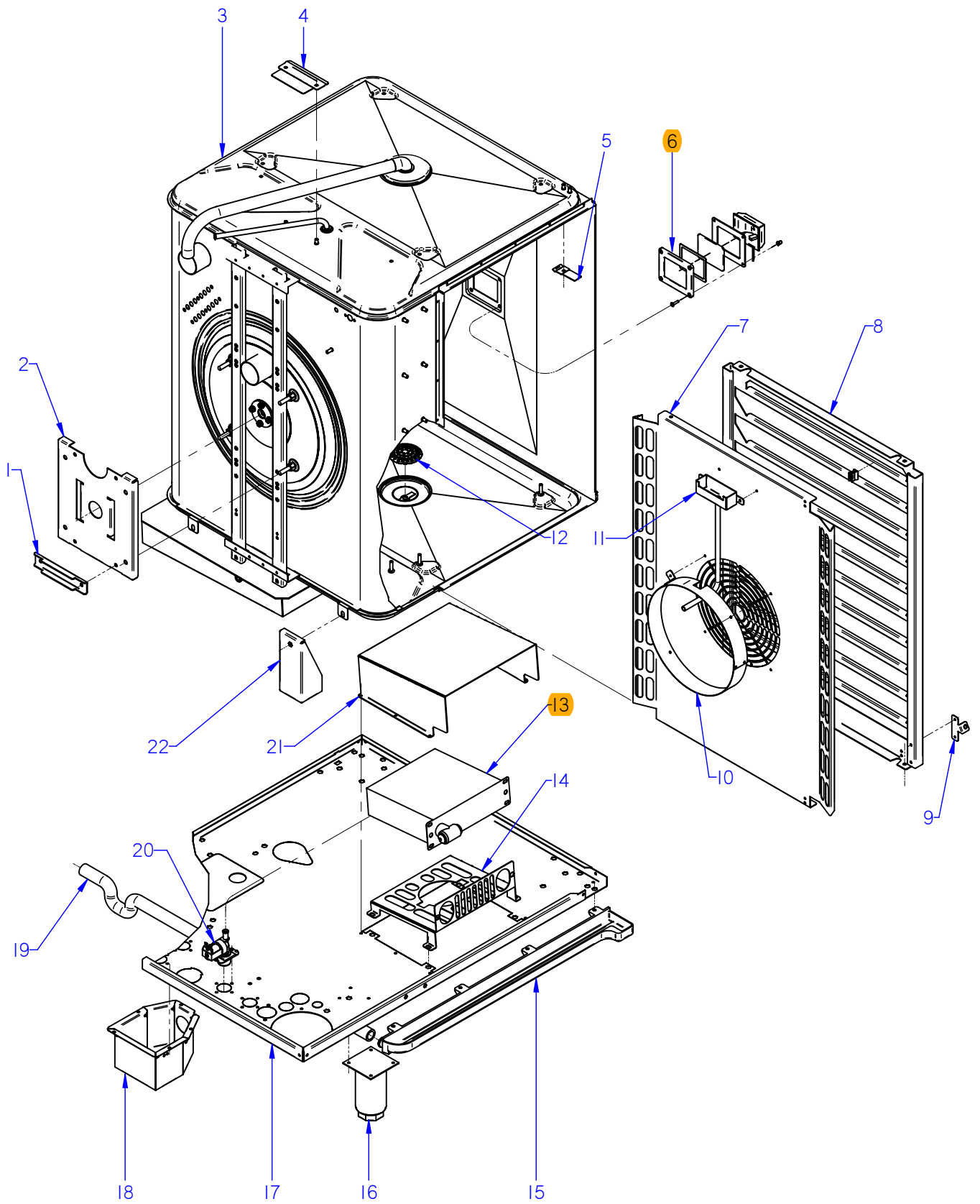


ITEM MARCADO EN COLOR = REPUESTO RECOMENDADO  
 COLOURED ITEM = RECOMMENDED SPARE PART

Nº plano / N° plane	Firma	Fecha / Date	Denominación / Denomination:	PUERTA / DOOR	Lamina / Sheet	Fagor Industrial S.Coop. <b>FAGOR</b>
C-3001	<i>(Signature)</i>	2012-09	HORNOS AE; ACE; APE-061 / 101		2	Oñate

MOD.		HORNOS / OVEN	ZONA / ZONE	PUERTA / DOOR						PLANO DIAGRAM	C-3001			
ITEM	CODIGO REFERENCE	DENOMINACION	DENOMINATION	ACE-061	AE-061	APE-061	ACE-101	AE-101	APE-101			ELIMINADO ELIMINATED	INTRODUCID. INTRODUCED	NOTAS
	12046015	KIT PUERTA 061	DOOR 061 KIT	1	1	1								
	12046018	KIT PUERTA 101	DOOR 101 KIT				1	1	1					
1	12046041	KIT CRISTAL INTER. 061	061 INNER GLASS KIT	1	1	1								
1	12046042	KIT CRISTAL INTER. 101	101 INNER GLASS KIT				1	1	1					
2	12041724	BISAGRA CRISTAL INTERIOR	INNER GLASS HINGE	2	2	2	2	2	2					
	12010209	TORNILLO AVELLANADO M5X15	COUNTERSUNK SCREW M.5x15	2	2	2	2	2	2					
3	12039312	BISAGRA SUPERIOR	UPPER HINGE	1	1	1	1	1	1					
	12009882	ARANDELA ABANICO A6 A.304	FAN SHAPED WASHER A.6	3	3	3	3	3	3					
	12010106	TORNILLO ALLEN INOX. M6X35MM	ALLEN BOLT STAINLE.M6X35MM	3	3	3	3	3	3					
4	12023636	EJE SUPERIOR	UPPER SHAFT	1	1	1	1	1	1					
	12023631	ARANDELA AMARRE	DOOR ANCHORING WASHER	1	1	1	1	1	1					
	12023716	RESORTE 06329	SPRING 06329	1	1	1	1	1	1					
	12009882	ARANDELA ABANICO A6 A.304	FAN SHAPED WASHER A.6	1	1	1	1	1	1					
	12010186	TORNILLO EXAGONAL M6X15 A304	HEXAGONAL SCREW M6X15	1	1	1	1	1	1					
6	12043391	BISAGRA INFERIOR ADVANCE	BOTTOM HINGE ADVANCE	1	1	1	1	1	1					
7	12039311	BASE BISAGRA INFERIOR PUERTA	LOWER DOOR HINGE BASE	1	1	1	1	1	1			02.09.13		
7	12047967	BASE BISAGRA INFERIOR 6 DIEN	LOWER HINGE BASE	1	1	1	1	1	1				02.09.13	
	12009890	ARANDELA ABANICO A5 A.304	FAN SHAPED WASHER A.5	1	1	1	1	1	1					
	12009944	ARANDELA A5	FLAT WASHER A.5	1	1	1	1	1	1					
	12010238	TORNILLO EXAGONAL M5x10	HEXAGONAL BOLT M5x10	1	1	1	1	1	1					
	12010199	TORNILLO AVELLANADO M6x16	COUNTERSUNK SCREW M6x16	4	4	4	4	4	4					
8	12047580	REP. MANILLA 1/1 ADVANCE	HANDLE 1/1 ADVANCE	1	1	1	1	1	1					
	12010262	TORNILLO AVELLANADO M4X15	COUNTERSUNK SCREW M.4x15	3	3	3	3	3	3					
9	12024560	INTERRUPTOR MAGNETICO AC	MAGNETIC SWITCH AC	1	1	1	1	1	1					
10	12022166	SOPORTE MICRO PUERTA	DOOR MICRO SWITCH	1	1	1	1	1	1					
	12010242	TORNIL. APLASTADO M5X13 A 304	FLAT SCREW M.5x13	1	1	1	1	1	1					
11	12041725	MUELLE CIERRE CRISTAL INTERIO	INNER GLASS SPRING LOCK	1	1	1	1	1	1					
12	12039485	RECOGEAGUAS PUERTA 101	DOOR SPRING WATER COLLECT	1	1	1	1	1	1					
	12009944	ARANDELA A5	FLAT WASHER A.5	3	3	3	3	3	3					
	12009890	ARANDELA ABANICO A5 A.304	FAN SHAPED WASHER A.5	3	3	3	3	3	3					
	12010242	TORNIL. APLASTADO M5X13 A 304	FLAT SCREW M.5x13	3	3	3	3	3	3					





ITEM MARCADO EN COLOR = REPUESTO RECOMENDADO  
 COLOURED ITEM = RECOMMENDED SPARE PART

Nº plano / N° plane	Firma	Fecha / Date	Denominación / Denomination:	MUEBLE INTERIOR / INTERIOR OVEN	Lamina / Sheet	Fagor Industrial S.Coop. <b>FAGOR</b>
C-3002	<i>(Signature)</i>	2012-09	HORNOS AE; ACE; APE-061 / 101		3	Oñate

MOD.		HORNOS / OVEN	ZONA / ZONE	MUEBLE INTERIOR / INTERIOR OVEN						PLANO DIAGRAM	C-3002			
ITEM	CODIGO REFERENCE	DENOMINACION	DENOMINATION	ACE-061	AE-061	APE-061	ACE-101	AE-101	APE-101			ELIMINADO ELIMINATED	INTRODUCID. INTRODUCED	NOTAS
1	12039460	REFUERZO MOTOR	MOTOR REINFORCEMENT	1	1	1	1	1	1					
	12009944	ARANDELA A5	FLAT WASHER A.5	4	4	4	4	4	4					
	12009890	ARANDELA ABANICO A5 A.304	FAN SHAPED WASHER A.5	4	4	4	4	4	4					
	12010221	TORNILLO EXAGONAL M5X15	HEXAGONAL BOLT M5X15	4	4	4	4	4	4					
2	12039615	SOPORTE MOTOR	SOPORTE MOTOR	1	1	1	1	1	1					
S/Nº	12039614	PERFIL SOPORTE MOTOR 061	RAIL MOTOR 061	2	2	2	-	-	-					
S/Nº	12039493	PERFIL SOPORTE MOTOR 101	RAIL MOTOR 101	-	-	-	2	2	2					
	12010163	REMACHE EXAGONAL M.5	HEXAGONAL RIVET M.5	8	8	8	8	8	8					
	12010238	TORNILLO EXAGONAL M5x10	HEXAGONAL BOLT M5x10	4	4	4	4	4	4					
3	12046360	CUERPO INT. COMPL. ACE 061	INTERIOR FULL BODY ACE 061	1	-	-	-	-	-			01.10.12		
3	12043399	CUERPO INT. COMPL. ACE 061	INTERIOR FULL BODY ACE 061	1	-	-	-	-	-				01.10.12	
3	12046356	CUERPO INT. COMPL. AE 061	INTERIOR FULL BODY AE 061	-	1	-	-	-	-			01.10.12		
3	12043423	CUERPO INT. COMPL. AE 061	INTERIOR FULL BODY AE 061	-	1	-	-	-	-				01.10.12	
3	12046349	CUERPO INT. COMPL. APE 061	INTERIOR FULL BODY APE 061	-	-	1	-	-	-			01.10.12		
3	12043411	CUERPO INT. COMPL. APE 061	INTERIOR FULL BODY APE 061	-	-	1	-	-	-				01.10.12	
3	12046387	CUERPO INT. COMPL. ACE 101	INTERIOR FULL BODY ACE 101	-	-	-	1	-	-			01.10.12		
3	12043780	CUERPO INT. COMPL. ACE 101	INTERIOR FULL BODY ACE 101	-	-	-	1	-	-				01.10.12	
3	12046385	CUERPO INT. COMPL. AE 101	INTERIOR FULL BODY AE 101	-	-	-	-	1	-			01.10.12		
3	12043507	CUERPO INT. COMPL. AE 101	INTERIOR FULL BODY AE 101	-	-	-	-	1	-				01.10.12	
3	12046379	CUERPO INT. COMPL. APE 101	INTERIOR FULL BODY APE 101	-	-	-	-	-	1			01.10.12		
3	12043742	CUERPO INT. COMPL. APE 101	INTERIOR FULL BODY APE 101	-	-	-	-	-	1				01.10.12	
	12010002	REMACHE EXAGONAL M.4 INOX	HEXAGONAL RIVET M.4 INOX	4	4	4	4	4	4					
	12010267	ARANDELA 16X6X1.2 A.304	FLAT WASHER 16X6X1.2 A.304	4	4	4	4	4	4					
	12009882	ARANDELA ABANICO A6 A.304	FAN SHAPED WASHER A.6	4	4	4	4	4	4					
	12010186	TORNILLO EXAGONAL M6X15 A304	HEXAGONAL SCREW M6X15	4	4	4	4	4	4					
S/Nº	12023935	PUNTA DIFUSORA LAVADO	WASHING DISPENSER POINT	-	-	1	-	-	1					
4	12039529	SOPORTE LIMITADOR CAMARA	LIMITER BRACKET CAMERA	1	1	1	1	1	1					
	12009868	ARANDELA PLANA INOX 6MM	WASHER FLAT 6 MM INOX.	2	2	2	2	2	2					
	12009882	ARANDELA ABANICO A6 A.304	FAN SHAPED WASHER A.6	2	2	2	2	2	2					
	12010255	TORNILLO EXAGONAL M6 INOX.	HEXAGONAL SCREW M6 INOX.	2	2	2	2	2	2					



MOD.		HORNOS / OVEN		ZONA / ZONE		MUEBLE INTERIOR / INTERIOR OVEN						PLANO DIAGRAM		C-3002	
ITEM	CODIGO REFERENCE	DENOMINACION	DENOMINATION	ACE-061	AE-061	APE-061	ACE-101	AE-101	APE-101			ELIMINADO ELIMINATED	INTRODUCID. INTRODUCED	NOTAS	
5	12041767	SOPORTE SONDA PINCHO CAMAR	CAMERA PROBE SUPP. PINCHO	2	2	2	2	2	2						
	12009944	ARANDELA A5	FLAT WASHER A.5	4	4	4	4	4	4						
	12009890	ARANDELA ABANICO A5 A.304	FAN SHAPED WASHER A.5	4	4	4	4	4	4						
	12010284	TORNILLO EXAGONAL M5 INOX.	HEXAGONAL SCREW M5 INOX.	4	4	4	4	4	4						
	12010090	REMACHE AVINOX Ø4X7,5MM	AVINOX RIVET Ø4X7,5MM	2	2	2	2	2	2						
6	12024464	MARCO LAMPARA	LAMP ANCHORING PLATEN	1	1	1	1	1	1						
S/Nº	12023532	JUNTA INTERIOR LAMPARA	LAMP INNER JOINT	1	1	1	1	1	1						
S/Nº	12023668	CRISTAL LAMPARA	LAMP GLASS	1	1	1	1	1	1						
S/Nº	12023578	JUNTA EXTERIOR LAMPARA	LAMP OUTER JOINT	1	1	1	1	1	1						
	12010262	TORNILLO AVELLANADO M4X15	COUNTERSUNK SCREW M.4x15	4	4	4	4	4	4						
S/Nº	12024545	PORTALAMPARAS	LAMP HOLDER	1	1	1	1	1	1						
S/Nº	12025123	LAMPARA 10W-12V	LIGHT 10W 12V	1	1	1	1	1	1						
7	12043719	CUBREVENTILADOR 061 ADV ELE.	FAN COVER 101 ELECT.	1	1	1									
7	12039488	101 CUBREVENTILADOR E	FAN COVER 101 ELECT.				1	1	1						
8	12039605	PORTABANDEJAS 061 DRCH.ADV	RIGHT HOLDER TRAYS ADV 061	2	2	2						01.03.13			
8	12039605	PORTABANDEJAS 061 DRCH.ADV	RIGHT HOLDER TRAYS ADV 061	1	1	1						01.08.13			
8	12093801	PORTABANDEJAS 061 IZQ. ADV	LEFT HOLDER TRAYS ADV 061	1	1	1							01.08.13		
S/Nº	12048469	GUIA BANDEJA 061 SOLDADA	WELDED TRAY GUIDE 061	1	1	1							01.03.13		
S/Nº	12039594	TOPE BANDEJAS 061	TRAY TOP 061	2	2	2									
S/Nº	12048408	SOPORTE CORE HOLDER	CORE HOLDER SUPPORT	1	1	1	1	1	1				01.03.13		
S/Nº	12021991	ENGANCHE PORTABANDEJAS	HOOK HOLDER TRAYS	2	2	2	2	2	2				01.03.13		
8	12039523	PORTABANDEJAS DRCH. 1011	RIGHT HOLDER TRAYS 1011				2	2	2			01.03.13			
8	12039523	PORTABANDEJAS DRCH. 1011	RIGHT HOLDER TRAYS 1011				1	1	1			01.08.13			
8	12093780	PORTABANDEJAS IZDO. 1011	LEFT HOLDER TRAYS 1011				1	1	1				01.08.13		
S/Nº	12048470	GUIA BANDEJA 101 SOLDADA	WELDED TRAY GUIDE 101				1	1	1				01.03.13		
S/Nº	12039490	TOPE BANDEJAS 101-102	TRAY TOP101-102				2	2	2						
S/Nº	12039606	RESORTE PORTABANDEJAS	SPRING HOLDER	4	4	4	4	4	4						
9	12039528	SOPORTE SONDA PINCHO	PROBE SUPP. PINCHO	1	1	1	1	1	1						
10	12039604	061 SUPL. CUBREVENTILADOR	061 SUPPL. FAN COVER	1	1	1	1	1	1						
S/Nº	12021993	FIJACIÓN SUPLEMENTO	FAN COVER SUPPLEMENT BINDI	4	4	4	4	4	4						

MOD.		HORNOS / OVEN		ZONA / ZONE		MUEBLE INTERIOR / INTERIOR OVEN						PLANO DIAGRAM		C-3002	
ITEM	CODIGO REFERENCE	DENOMINACION	DENOMINATION	ACE-061	AE-061	APE-061	ACE-101	AE-101	APE-101			ELIMINADO ELIMINATED	INTRODUCID. INTRODUCED	NOTAS	
11	12043695	INYECTOR COMPL 061 CONCEPT	COMPLETE INJECTOR 061 CON.	1	-	-	-	-	-						
11	12043927	INYECTOR COMPL 102	COMPLETE INJECTOR102	-	-	-	1	-	-						
12	12002681	FILTRO DESAGÜE	DRAINAGE FILTER	1	1	1	1	1	1			15.09.13			
12	12095042	FILTRO DESAGÜE Ø53	DRAINAGE FILTER Ø53	1	1	1	1	1	1				15.09.13		
13	12024800	DUCHA	SHOWER	-	1	1	-	1	1						
S/Nº	12041736	EMBELLECEDOR DUCHA ADV.	SHOWER TRIM ADVANCE	-	1	1	-	1	1						
14	12039620	CHAPA AMARRE DUCHA	TIE PLATE SHOWER	-	1	1	-	1	1						
	12009868	ARANDELA PLANA INOX 6MM	WASHER FLAT 6 MM INOX.	-	2	2	-	2	2						
	12009882	ARANDELA ABANICO A6 A.304	FAN SHAPED WASHER A.6	-	2	2	-	2	2						
	12010180	TORNILLO EXAGONAL M6X20 INOX	HEXAGONAL SCREW M6X20 INOX	-	2	2	2	2	2						
15	12039627	RECOGEAGUAS HORNO	SPRING WATER COLLE.	1	1	1	1	1	1						
	12010267	ARANDELA 16X6X1.2 A.304	FLAT WASHER 16X6X1.2 A.304	6	6	6	6	6	6						
	12009882	ARANDELA ABANICO A6 A.304	FAN SHAPED WASHER A.6	6	6	6	6	6	6						
	12010186	TORNILLO EXAGONAL M6X16 INOX	HEXAGONAL SCREW M6X16 INOX	6	6	6	6	6	6						
16	12009104	PATA REGULABLE	REGULABLE LEG	4	4	4	4	4	4						
	12009868	ARANDELA PLANA INOX 6MM	WASHER FLAT 6 MM INOX.	16	16	16	16	16	16						
	12009882	ARANDELA ABANICO A6 A.304	FAN SHAPED WASHER A.6	16	16	16	16	16	16						
	12010180	TORNILLO EXAGONAL M6X20 INOX	HEXAGONAL SCREW M6X20 INOX	16	16	16	16	16	16						
17	12043397	BASE EXTERIO. ADV ELEC. 061-101	EXTERI. BASE ADV ELEC.061-101	1	1	1	1	1	1						
	12010126	REMACHE EXAGONAL M.6	HEXAGONAL RIVET M.6	35	35	35	35	35	35						
18	12043836	CAJA IPX5 APE ADVANCE	IPX5 APE ADVANCE COVER	-	-	1	-	-	1						
19	12039498	TUBO RECOGEAGUAS 101	COLLECT WATER PIPE 101	1	1	1	1	1	1						
	12009628	ABRAZADERA ELAST. 26.7-28.1	SPRING CLAMP 26.7-28.1	2	2	2	2	2	2						
20	12025161	ELECTROVALV. 230VAC 50/60Hz 1V	SOLENOID VALVE 230VAC 1 V	-	1	1	-	1	1						
21	12039628	CAJA CUBRE DUCHA	SHOWER BOX COVER	1	1	1	1	1	1						
	12010090	REMACHE AVINOX Ø4X7,5MM	AVINOX RIVET Ø4X7,5MM	40	40	40	40	40	40						
	12010126	REMACHE EXAGONAL M.6	HEXAGONAL RIVET M.6	4	4	4	4	4	4						
22	12039616	APOYO CUERPO HORNO IZDO.	BODY SUPPORT LEFT OVEN	2	2	2	2	2	2						
S/Nº	12039617	APOYO CUERPO HORNO TRASERO	OVEN BODY BACK SUPPORT	1	1	1	1	1	1						

Nº plano / N° plane  
**C-3003**

Firma  
*(Signature)*

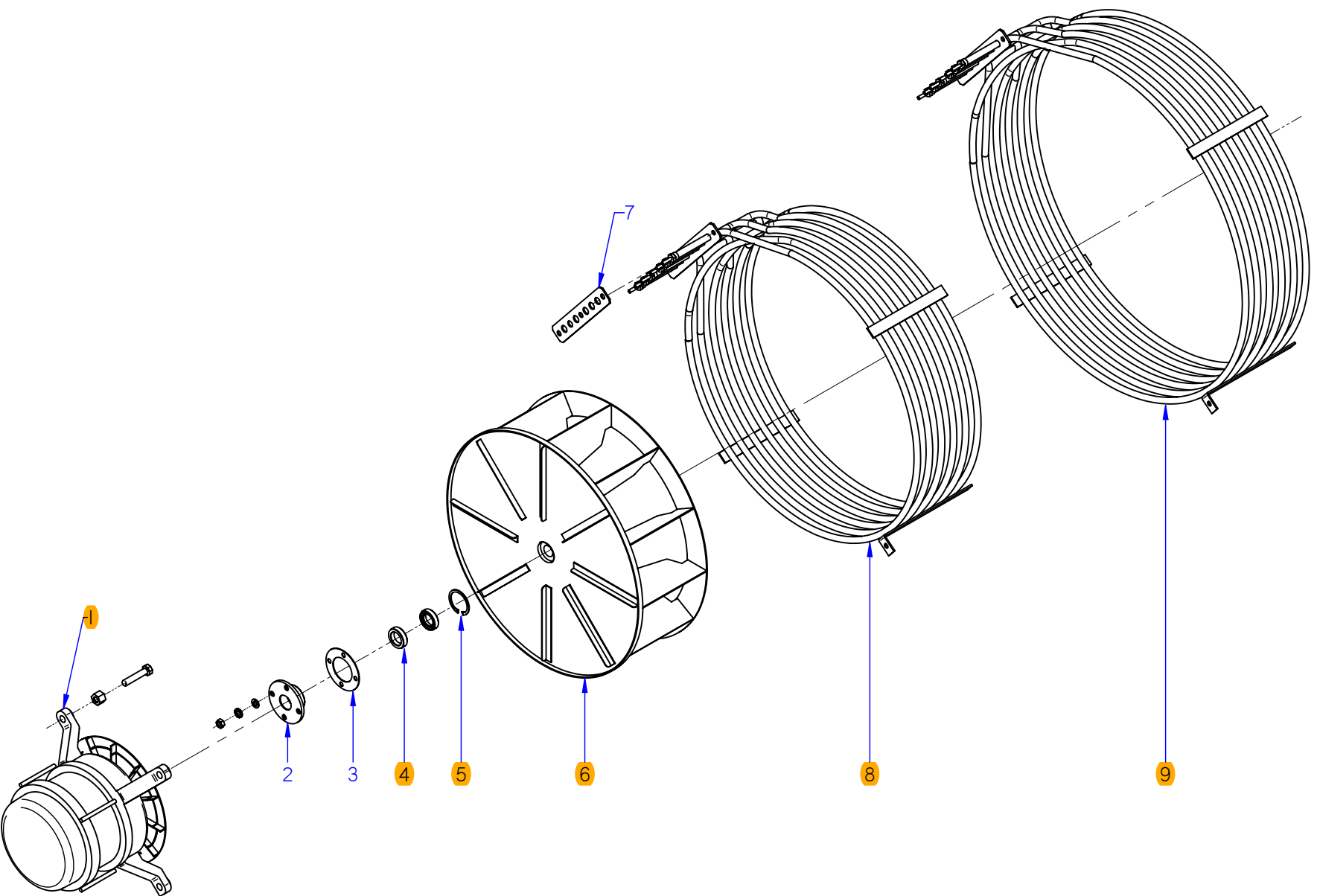
Fecha / Date  
**2012-09**

Denominación / Denomination:  
**HORNOS AE; ACE; APE-061 / 101**

Lamina / Sheet  
**4**

Fagor Industrial S. Coop. **FAGOR**  
Onate

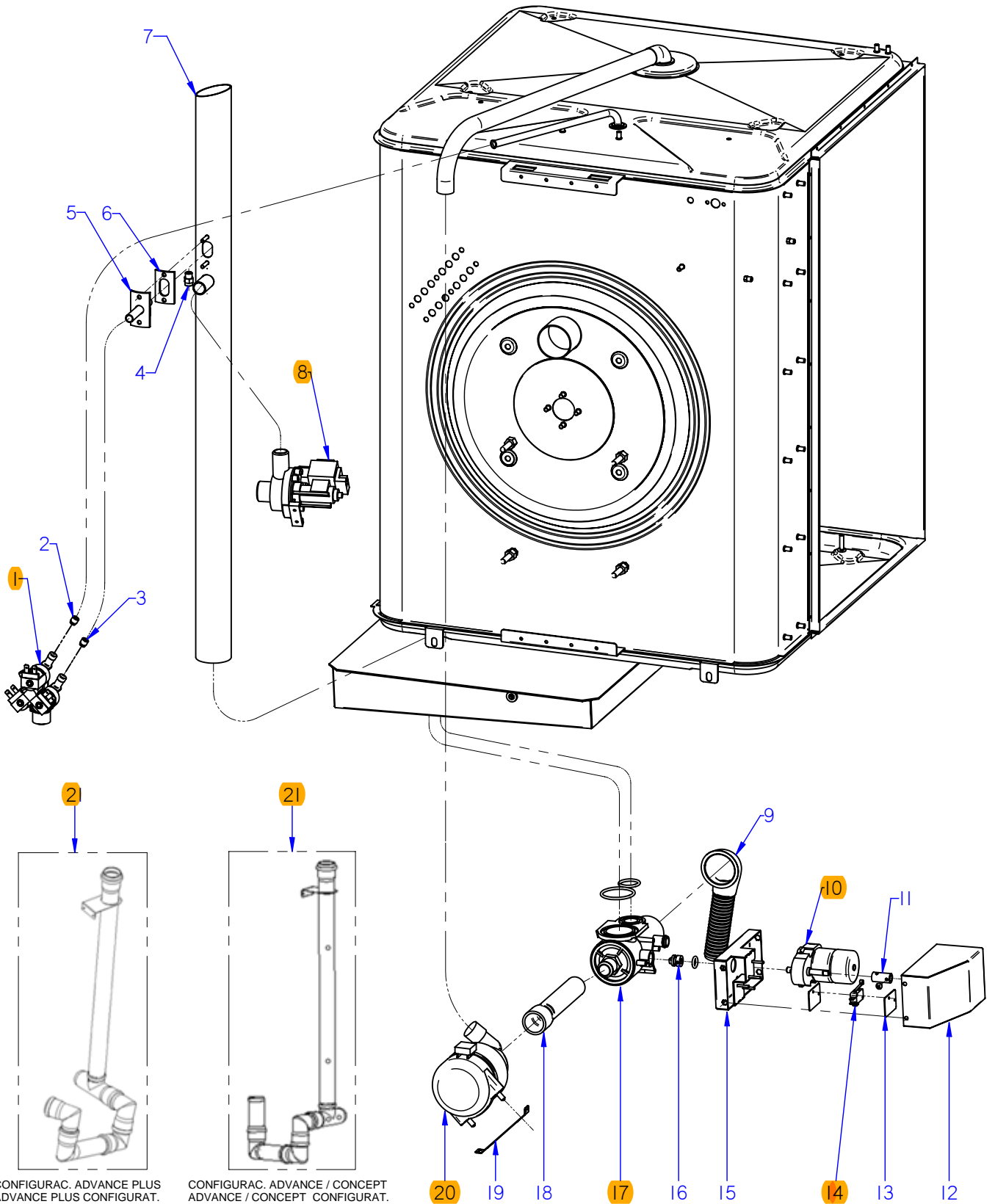
**ITEM MARCADO EN COLOR = REPUESTO RECOMENDADO  
COLOURED ITEM = RECOMMENDED SPARE PART**



MOD.		HORNOS / OVEN		ZONA / ZONE		TURBINA / TURBINE						PLANO DIAGRAM		C-3003	
ITEM	CODIGO REFERENCE	DENOMINACION	DENOMINATION	ACE-061	AE-061	APE-061	ACE-101	AE-101	APE-101			ELIMINADO ELIMINATED	INTRODUCID. INTRODUCED	NOTAS	
1	12024325	MOTOR 230V AC 3N650KW 1450RP	MOTOR 230V AC 3N650KW 1450	1	1	1	1	1	1						
S/Nº	12023560	DISTANCIADOR MOTOR 10/21	SPACER MOTOR 10/21	4	4	4	4	4	4						
	12010110	ARANDELA PLANA Fe Zn 8,40MM	WASHER FLAT Fe Zn 8,40MM	4	4	4	4	4	4						
	12009840	ARANDELA ABANICO INOX 8MM	FAN SHAPED WASHER NOX 8MM	4	4	4	4	4	4						
	12010210	TORNILLO EXAGONAL INOX 8MM	HEXAGONAL SCREW INOX 8MM	4	4	4	4	4	4						
2	12024742	CASQUILLO RETEN 10/21	SEAL BUSHING 10/21	1	1	1	1	1	1						
3	12024221	JUNTA CASQUILLO RETEN	SEAL BUSHING GASKET	1	1	1	1	1	1						
	12009868	ARANDELA PLANA INOX 6MM	WASHER FLAT 6 MM INOX.	4	4	4	4	4	4						
	12009882	ARANDELA ABANICO A6 A.304	FAN SHAPED WASHER A.6	4	4	4	4	4	4						
	12010255	TORNILLO EXAGONAL M6 INOX.	HEXAGONAL SCREW M6 INOX.	4	4	4	4	4	4						
	12010056	TORNILLO EXAGONAL M8X40 INOX	HEXAGONAL SCREW M8X40 INOX	4	4	4	4	4	4						
4	12024510	RETEN 17X28X7V	RETAINER 28x17x7	2	2	2	2	2	2						
5	12010122	ANILLO DE SEGURIDAD Ø 28X1.2	SAFETY RING 28x1,2	1	1	1	1	1	1						
6	12024306	TURBINA RECTA Ø350X127 HANN.	TURBINE RECTA Ø350X127 HAN	1	1	1	1	1	1						
	12024190	ARANDELA SEGURIDAD HANNING	HANNING SAFETY WASHER	1	1	1	1	1	1						
	12010030	TORNILLO EXAGONAL M10X20	HEXAGONAL SCREW M10X20	1	1	1	1	1	1						
7	12041165	JUNTA RESIST. CIRCULAR 1/1 ADV	RESIST. CIRCULAR 1/1 ADV SEAL	1	1	1	2	2	2						
8	12039496	RESIST.CONVECCION INT. 9Kw ADV	CONVECTION RESIST. INT. ADV	1	1	1	1	1	1						
9	12039497	RESIST.CONVECCION EXT. 9Kw ADV	RESIST.CONVECCION EXT. ADV	—	—	—	1	1	1						
	12010016	TORNIL. EXAGONAL M6X15 LATON	BRASS HEXAGO. SCREW M6x15	3	3	3	6	6	6						
	12009868	ARANDELA PLANA INOX 6MM	WASHER FLAT 6 MM INOX.	3	3	3	6	6	6						
	12009872	ARANDELA GROWER INOX 6MM	WASHER GROWER INOX 6MM	3	3	3	6	6	6						
	12010255	TORNILLO EXAGONAL M6 INOX.	HEXAGONAL SCREW M6 INOX.	1	1	1	2	2	2						
	12010232	ARANDELA LATON M-4	BRASS WASHER M-4	3	3	3	6	6	6						
	12010244	TUERCA EXAGONAL M4 LATON	BRASS HEXAGONAL NUT M4	3	3	3	6	6	6						



MOD.		HORNOS / OVEN	ZONA / ZONE	CHIMENEA / FLUEPIPE						PLANO DIAGRAM	C-3004			
ITEM	CODIGO REFERENCE	DENOMINACION	DENOMINATION	ACE-061	AE-061	APE-061	ACE-101	AE-101	APE-101			ELIMINADO ELIMINATED	INTRODUCID. INTRODUCED	NOTAS
1	12024520	RETENCION DE VAPORES	CLOSE CHIMNEY	1	1	1	1	1	1					
2	12024500	GUIA RETENCION VAPORES	STEAM RETAINER GUIDE	1	1	1	1	1	1					
3	12023576	JUNTA BASE CHIMENEA	FLUEPIPE BASE SEAL	1	1	1	1	1	1					
	12010242	TORNIL. APLASTADO M5X13 A 304	FLAT SCREW M.5x13	6	6	6	6	6	6					
4	12022868	CONJUNTO CHIMENEA	COMPLETE CHIMNEY	1	1	1	1	1	1					
	12010126	REMACHE EXAGONAL M.6	HEXAGONAL RIVET M.6	2	2	2	2	2	2					
5	12024328	LEVA EJE CHIMENEA	FLUEPIPE SHAFT CAM	1	1	1	1	1	1					
	12010258	VARILLA ROSCADA M4X16	THREADED ROD M4X16	1	1	1	1	1	1					
6	12010014	ARANDELA DE SEGURIDAD Ø8	SAFETY WASHER Ø8	1	1	1	1	1	1					
7	12023497	JUNTA EJE CHIMENEA	FLUEPIPE SHAFT SEAL	1	1	1	1	1	1					
8	12024436	GUIA EJE CHIMENEA	FLUEPIPE SHAFT GUIDE	1	1	1	1	1	1					
S/Nº	12010274	JUNTA TORICA 9.19x2.62	O-RING 9.19x2.62	1	1	1	1	1	1				01.03.13	
	12009944	ARANDELA A5	FLAT WASHER A.5	2	2	2	2	2	2					
	12009890	ARANDELA ABANICO A5 A.304	FAN SHAPED WASHER A.5	2	2	2	2	2	2					
	12010284	TUERCA EXAGONAL M5	HEXAGONAL NUT M.5	2	2	2	2	2	2					
9	12024435	EJE CHIMENEA ELECTRICA	ELECTRIC FLUEPIPE SHAFT	1	1	1	1	1	1					
	12009876	TORNILLO ALOMADO M4X6 ZINC.	CURVED SCREW M4X6 ZINC.	1	1	1	1	1	1					
10	12009985	PLACA SEPARADORA	SPACER PLATE	4	4	4	4	4	4					
	12010247	TORNILLO ALOMADO M3X20	CURVED SCREW M3X20	4	4	4	4	4	4					
	12010289	TUERCA AUTOBLOCANTE M3	SELF-LOCKING NUT M3	4	4	4	4	4	4					
11	12025193	INTERRUPTOR PUERTA	DOOR SWITCH	2	2	2	2	2	2					
12	12024638	MOTOR CHIMENEA	FLUEPIPE MOTOR	1	1	1	1	1	1					
13	12022146	ESCUA. AMARRE MOTOR CHIMEN.	FLUEPIPE MOTOR FASTENING B	1	1	1	1	1	1					
	12009868	ARANDELA A6	WASHER A6	2	2	2	2	2	2					
	12009882	ARANDELA ABANICO A6 A.304	FAN SHAPED WASHER A.6	2	2	2	2	2	2					
	12010186	TORNILLO EXAGONAL M6X15 A304	HEXAGONAL SCREW M6X15	2	2	2	2	2	2					
14	12024122	TUBO FLEXIBLE Ø53X360	FLEXIBLE TUBE Ø53X360	1	1	1	1	1	1					
	12009962	ABRAZADERA 40*60	CLAMP 40*60	2	2	2	2	2	2					



CONFIGURAC. ADVANCE PLUS  
ADVANCE PLUS CONFIGURAT.

CONFIGURAC. ADVANCE / CONCEPT  
ADVANCE / CONCEPT CONFIGURAT.

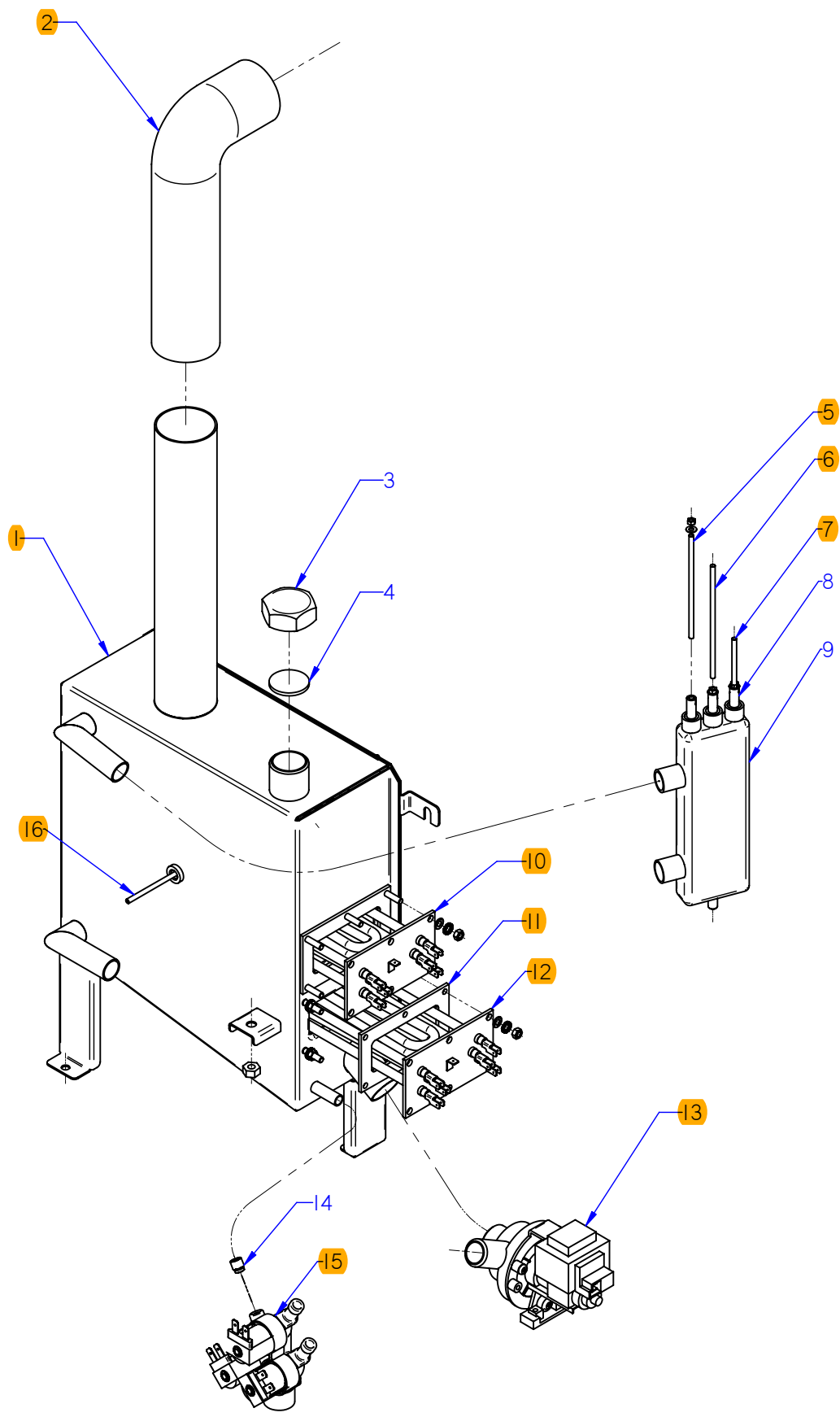
ITEM MARCADO EN COLOR = REPUESTO RECOMENDADO  
COLOURED ITEM = RECOMMENDED SPARE PART

Nº plano / N° plane	Firma	Fecha / Date	Denominación / Denomination:	CONDUCCIONES DE AGUA / WATER PIPES	Lamina / Sheet	Fagor Industrial S.Coop. <b>FAGOR</b>
C-3005	<i>[Signature]</i>	2012-09	HORNOS AE; ACE; APE-061 / 101	6	Oñate	

MOD.		HORNOS / OVEN		ZONA / ZONE		CONDUCCIONES DE AGUA / WATER PIPES						PLANO DIAGRAM		C-3005	
ITEM	CODIGO REFERENCE	DENOMINACION	DENOMINATION	ACE-061	AE-061	APE-061	ACE-101	AE-101	APE-101			ELIMINADO ELIMINATED	INTRODUCID. INTRODUCED	NOTAS	
1	12025161	ELECTROVALV. 230VAC 50/60Hz 1V	SOLENOID VALVE 230VAC 1 V	2	-	-	2	-	-						
1	12023921	ELECTR. 230V AC 50/60Hz 3 VIAS A	SOLENOID 230V AC 50/60Hz 3 V	-	1	1	-	1	1						
2	12024509	REGULADOR 0,25L. VERDE	REGULATOR 0.25 L. GREEN	1	1	1	1	1	1						
3	12025263	REGULADOR 1L AMARILLO 255.005	CONTROLLER YELL. 1L 255,005	1	1	1	1	1	1						
4	12024000	TOBERA 1/8	NOZZLE 1/8	1	1	1	1	1	1			31.03.13			
4	12049131	BOQUILLA 1/8M-B-1-3	INJECTOR 1/8M-B-1-3	1	1	1	1	1	1				31.03.13		
5	12039468	CONDUCC. VAHOS COMPLETO	COMPLETE VAPOUR DUCT	1	1	1	1	1	1						
6	12023605	JUNTA TUBO INYECTOR	INJECTOR PIPE SEAL	1	1	1	1	1	1						
7	12043803	CHIMENEA COMPLETA ACE 601	COMPL. FLUEPIPE ACE 601	1	-	-	-	-	-						
7	12039631	CHIMENEA COMPLETA 061	COMPLET FLUEPIPE 061	-	1	1	-	-	-						
7	12043845	CHIMENEA COMPLETA ACE 101-10	COMPL. FLUEPIPE ACE 101-102	-	-	-	1	-	-						
7	12039505	CHIMENEA COMPLETA VPE 101	COMPLET FLUEPIPE VPE 101	-	-	-	-	1	1						
S/Nº	11000003	TUBO SILICONA ALTA Tª Ø53x61	HIGH SILICON PIPE Tº Ø53x61	1	1	1	1	1	1			01.01.13			
S/Nº	12047901	EMPALME SILICONA Ø53	SILICONE JOINT Ø53	1	1	1	1	1	1				01.01.13		
	12007943	ABRAZADERA ELASTICA 62*66	ELAST. CLAMP 62*66	2	2	2	2	2	2						
8	12039546	MOTOBOMBA 230V AC 1N 50/60Hz	PUMP 230V AC 50/60Hz 30W 1N	-	1	1	-	1	1						
	12009944	ARANDELA A5	FLAT WASHER A.5	-	2	2	-	2	2						
	12009890	ARANDELA ABANICO A5 A.304	FAN SHAPED WASHER A.5	-	2	2	-	2	2						
	12010221	TORNILLO EXAGONAL M5X15	HEXAGONAL BOLT M5X15	-	2	2	-	2	2						
9	12024473	MANGUERA DESAGUE	DRAIN HOSE	-	-	1	-	-	1			02.12.12			
10	12024754	MOTORREDUCTOR 230V AC 1N	MOTOREDUCER 230V AC 1N	-	-	1	-	-	1						
11	12023906	CASQUILLO MOTOR MICRO	MICRO MOTOR BUSHING	-	-	1	-	-	1						
	12009876	TORNILLO ALOMADO M4X6 H.ZIN.	CURVED SCREW M4X6 H.ZIN.	-	-	2	-	-	2						
	12010262	TORNILLO AVELLANADO M4X15	COUNTERSUNK SCREW M.4x15	-	-	2	-	-	2						
12	12003203	TAPA SISTEMA LAVADO	TOP WASH SYSTEM	-	-	1	-	-	1						
	12010242	TORNIL. APLASTADO M5X13 A 304	FLAT SCREW M.5x13	-	-	4	-	-	4						
13	12009985	PLACA SEPARADORA	SPACER PLATE	-	-	4	-	-	4						
	12010247	TORNILLO ALOMADO M3X20	CURVED SCREW M3X20	-	-	7	-	-	7						
	12010289	TUERCA AUTOBLOCANTE M3	SELF-LOCKING NUT M3	-	-	7	-	-	7						
14	12025193	INTERRUPTOR PUERTA	DOOR SWITCH	-	-	2	-	-	2						



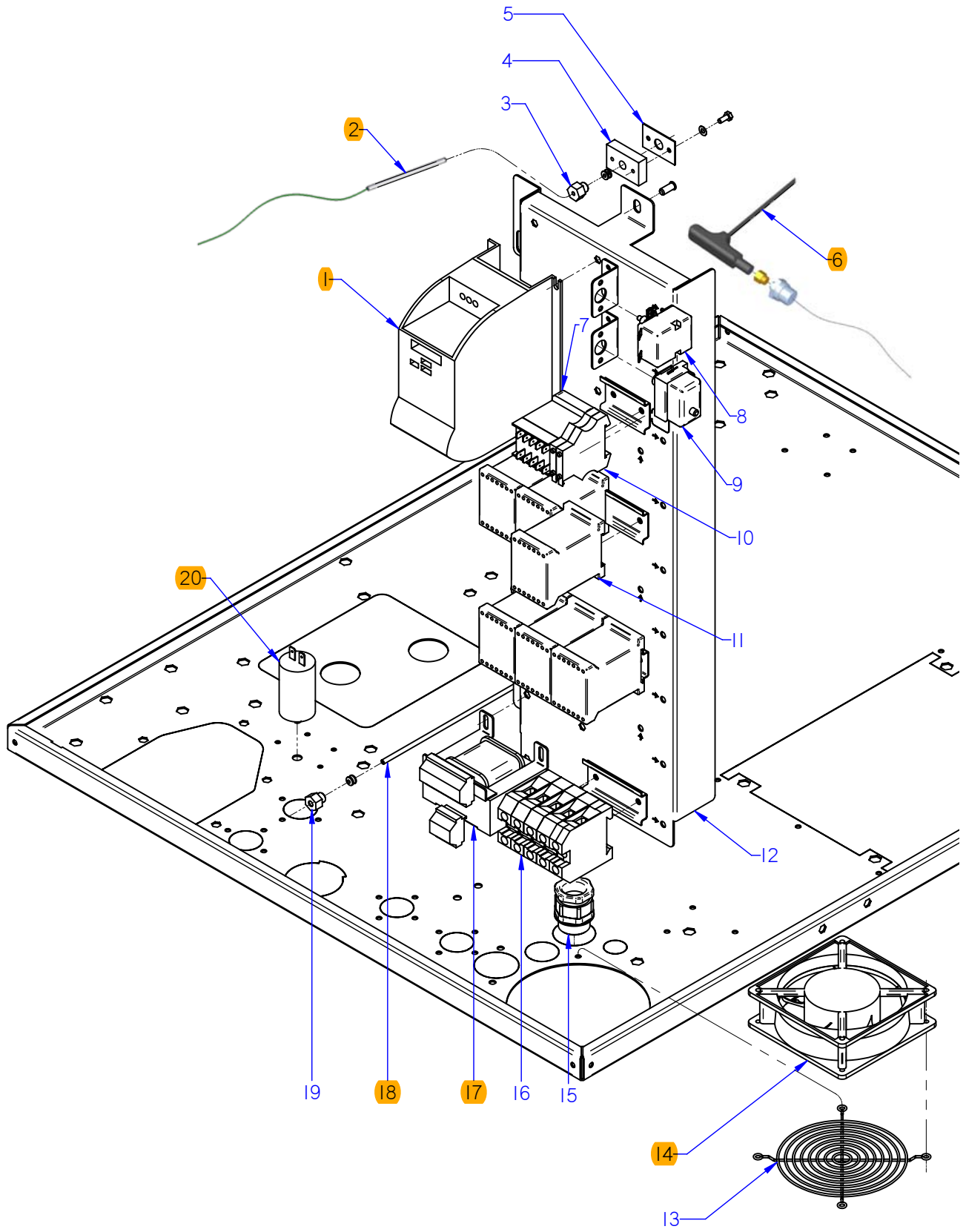




ITEM MARCADO EN COLOR = REPUESTO RECOMENDADO  
 COLOURED ITEM = RECOMMENDED SPARE PART

Nº plano / N° plane	Firma	Fecha / Date	Denominación / Denomination:	CIRCUITO DE VAPOR / STEAM CIRCUIT	Lamina / Sheet	Fagor Industrial S.Coop. <b>FAGOR</b>
C-3006	<i>[Signature]</i>	2012-09	HORNOS AE; APE-061 / 101	7	Oñate	

MOD.		HORNOS / OVEN		ZONA / ZONE		CIRCUITO DE VAPOR / STEAM CIRCUIT				PLANO DIAGRAM		C-3006		
ITEM	CODIGO REFERENCE	DENOMINACION	DENOMINATION	AE-061	APE-061	AE-101	APE-101					ELIMINADO ELIMINATED	INTRODUCID. INTRODUCED	NOTAS
1	12046048	KIT GENERADOR VAPOR 601	STEAM GENERATOR 601 KIT	1	1	-	-							
1	12046049	KIT GENERADOR VAPOR 101	STEAM GENERATOR 101 KIT	-	-	1	1							
S/Nº	11000157	TUBO SILICONA Tº Ø 26*18	HIGH SILICON PIPE Tº Ø 26*18	3	3	3	3							
	12009628	ABRAZADERA ELASTICA 26,7*28,1	ELAST. CLAMP 26,7*28,1	6	6	6	6							
2	12041855	TUBO FLEXIBLE Ø53X360 VARILLA	FLEXIBLE TUBE Ø53X360	1	1	1	1					01.01.13		
2	12047930	EMPALME GENERADOR 061	GENERATOR JOINT 601	1	1	1	1						01.01.13	
	12009962	ABRAZADERA 40*60	CLAMP 40*60	2	2	2	2							
S/Nº	12047901	EMPALME SILICONA Ø53	SILICONE JOINT Ø53	2	2	2	2						01.01.13	
3	12009699	TUERCA TAPON 1"	PLUG NUT 1"	1	1	1	1							
4	12009884	ARANDELA Ø32	WASHER Ø32	1	1	1	1							
5	12023573	ELECTRODO ALTO	HIGH LEVEL ELECTRODE	1	1	1	1							
6	12023574	ELECTRODO BAJO	LOW LEVEL ELECTRODE	1	1	1	1							
7	12023575	ELECTRODO DE MASA	EARTH ELECTRODE	1	1	1	1							
	12009987	ARANDELA A4	FLAT WASHER A4	3	3	3	3							
	12009839	TUERCA EXAGONAL M4	HEXAGONAL NUT M.4º	3	3	3	3							
8	12024460	GUIA AISLANTE	INSULATION GUIDE	3	3	3	3							
9	12024419	BOTE DE NIVELES	LEVELS VESSEL	1	1	1	1							
	12010044	TUERCA EXAGONAL M8 PLASTIC	HEXAGONAL NUT M8 PLASTIC	1	1	1	1							
10	12024752	RESISTENCIA 3x3000W 230V	RESISTOR 3x3000W 230V	1	1	1	1							
11	12023680	JUNTA CIERRE RESISTENCIAS	RESISTOR SEAL	1	1	2	2							
	12010284	TUERCA EXAGONAL M5	HEXAGONAL NUT M.5	6	6	12	12							
	12009944	ARANDELA A5	FLAT WASHER A.5	6	6	12	12							
	12009890	ARANDELA ABANICO A5 A.304	FAN SHAPED WASHER A.5	6	6	12	12							
12	12024747	RESISTENCIA 3x3000W	RESISTOR 3x3000W	-	-	1	1							
13	12039546	MOTOBOMBA 230V AC 1N 50/60Hz	PUMP 230V AC 50/60Hz 30W 1N	1	1	1	1							
14	12024045	REGULADOR 8L 54.034 ROJO	REGULATOR 8L RED 54.034	1	1	1	1							
15	12023921	ELECTR. 230V AC 50/60Hz 3 VIAS A	SOLENOID 230V AC 50/60Hz 3 V	1	1	1	1							
S/Nº	11000083	T. GOMA NEGRA Ø17*10	BLACK RUBBER PIPE Ø17*10	1	1	1	1							
	12010036	ABRAZADERA 12*20	CLAMP 12-20	2	2	2	2							
16	12023901	CONJUN. TERMOPAR VAPOR	STEAM THERMOCOUPLE UNIT	1	1	1	1							

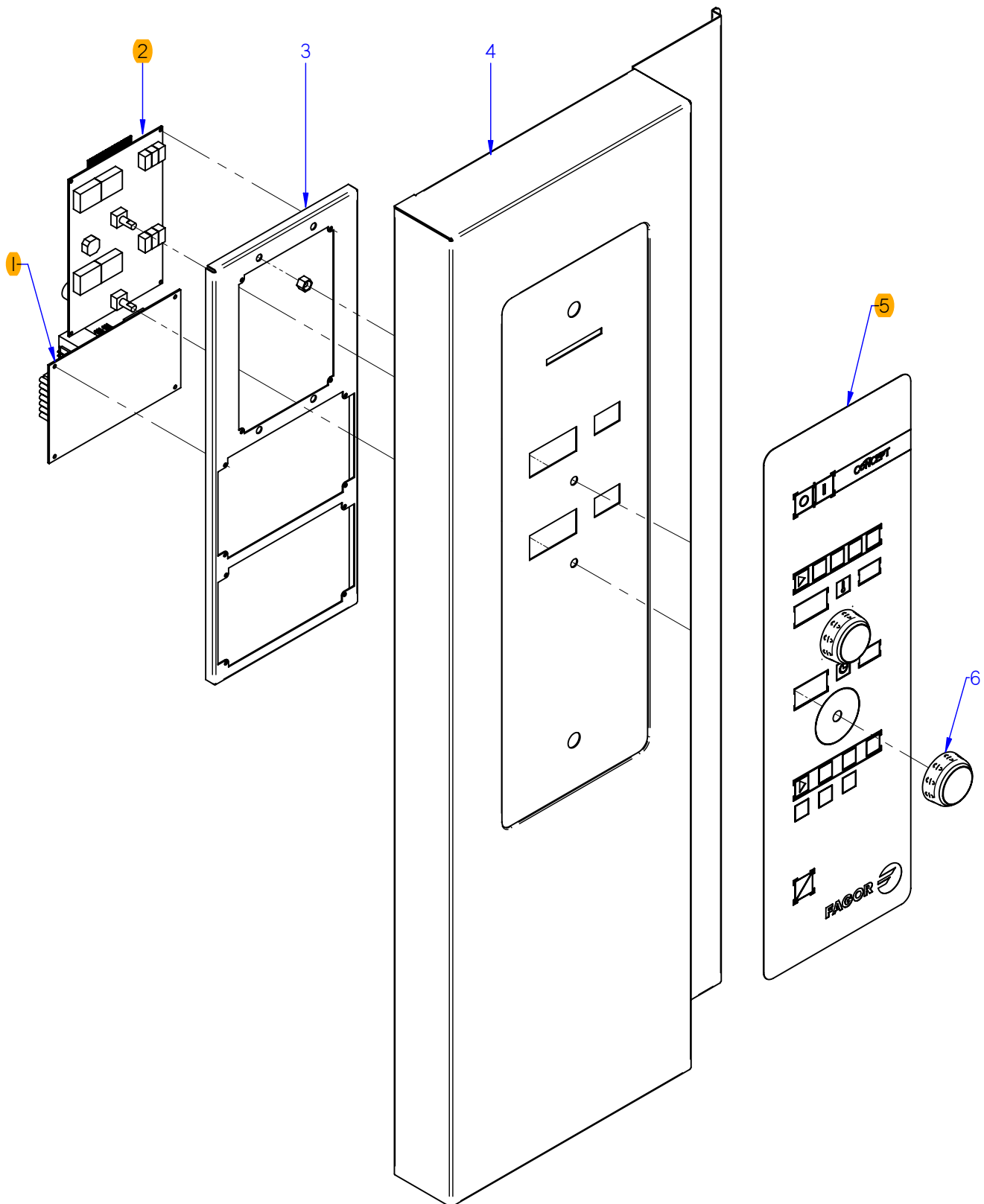


ITEM MARCADO EN COLOR = REPUESTO RECOMENDADO  
 COLOURED ITEM = RECOMMENDED SPARE PART

Nº plano / N° plane	Firma	Fecha / Date	Denominación / Denomination:	Lamina / Sheet	Fagor Industrial S.Coop. <b>FAGOR</b>
C-3007	<i>[Signature]</i>	2012-09	HORNOS AE; ACE; APE-061 / 101	8	Oñate

MOD.		HORNOS / OVEN		ZONA / ZONE		CUADRO ELECTRICO / ELECTRIC PANEL						PLANO DIAGRAM		C-3007	
ITEM	CODIGO REFERENCE	DENOMINACION	DENOMINATION	ACE-061	AE-061	APE-061	ACE-101	AE-101	APE-101			ELIMINADO ELIMINATED	INTRODUCID. INTRODUCED	NOTAS	
1	12024329	VARIADOR FRECUENCIA SIE 0,37K	FREQUENCY VARIATOR SIE 0.37	1	1	1	1	1	1			26.02.13			
1	12048794	REP VARIADOR REGULADO 061E	REGULATED VARIATOR 061E	1	1	1	-	-	-				26.02.13		
1	12048798	REP VARIADOR REGULADO ADV	REGULATED VARIATOR ADV	-	-	-	1	1	1				26.02.13		
	12009987	ARANDELA A4	FLAT WASHER A.4	6	6	6	6	6	6						
	12009928	ARANDELA ABANICO A4 A.304	FAN SHAPED WASHER A.4	6	6	6	6	6	6						
	12010278	TORNILLO ALOMADO M4X10	CURVED SCREW M.4x10	6	6	6	6	6	6						
S/Nº	12025235	CONECTOR PASO 3,96MM 8 VIAS	CONNECTOR ROUTES 3,96MM 8	1	1	1	1	1	1						
2	12024642	CONJUN. TERMOPAR CAMARA (K)	CHAMBER THERMOCOUPLE UNI	1	1	1	1	1	1						
3	12023581	RACORD CIERRE SONDA	PROBE CLOSING ADAPTOR	2	2	2	2	2	2						
S/Nº	12024247	BICONO CIERRE SONDA	PROBE CLOSING BICONE	1	1	1	1	1	1						
4	12023737	BASE CIERRE SONDA	FIXING CORE PROBE	1	1	1	1	1	1						
5	12023504	JUNTA PASAMUROS SIMPLE	SIMPLE	1	1	1	1	1	1						
	12009987	ARANDELA A4	FLAT WASHER A.4	4	4	4	4	4	4						
	12010249	TORNILLO EXAGONAL M4X10	HEXAGONAL BOLT M4X10	4	4	4	4	4	4						
6	12039548	SONDA PINCHO ADVANCE	ADVANCE PROBE PINCHO	1	1	1	1	1	1						
	12010110	ARANDELA Ø 8.4X20X1.5	FLAT WASHER Ø 8.4X20X1.5	1	1	1	1	1	1						
	12040566	CONTRATUERCA H 1/4"	COUNTERNUT H 1/4"	1	1	1	1	1	1						
7	12024011	CONTACTOR 230 V. 50-60 HZ	230 V. 50-60 HZ CONTACTOR	1	1	1	1	1	1						
8	12024591	TERMOSTATO LIMITADOR 10/21	LIMITER THERMOSTAT10/21	1	1	1	1	1	1						
9	12024884	TERMOSTATO LIMITADOR CORTE	THERMOSTAT LIMITER	-	1	1	-	1	1						
S/Nº	12022001	SOPORTE TERMOS VAPOR	THERMOSTAT SUPPORT	2	2	2	2	2	2						
	12023499	TUERCA M.10x1 EGO 00.00600.075	NUT M.10x1 EGO 00.00600.075	2	2	2	2	2	2						
10	12025158	BORNAS PORTA FUSIBLES	FUSE HOLDER TERMINAL	2	2	2	2	2	2						
11	12024040	CONTAC. SIRIUS 3R 230V.50-60	SIRIUS 3R 230V.50-60 CONTAC.	2	3	3	4	6	6						
12	12043563	CHAPA CUADRO ELECT APE 061	ELECTRICAL PANEL APE 061	1	1	1	-	-	-						
12	12041913	CUADRO ELECTRICO 101-102 E	ELECTRICAL PANEL 101-102 E	-	-	-	1	1	1						
	12010158	REMACHE EXAGONAL M.4	HEXAGONAL RIVET M.4	6	6	6	6	6	6						
	12009944	ARANDELA A5	FLAT WASHER A.5	3	3	3	3	3	3						
	12009890	ARANDELA ABANICO A5 A.304	FAN SHAPED WASHER A.5	3	3	3	3	3	3						
	12010221	TORNILLO EXAGONAL M5x15	HEXAGONAL SCREW M.5x15	3	3	3	3	3	3						



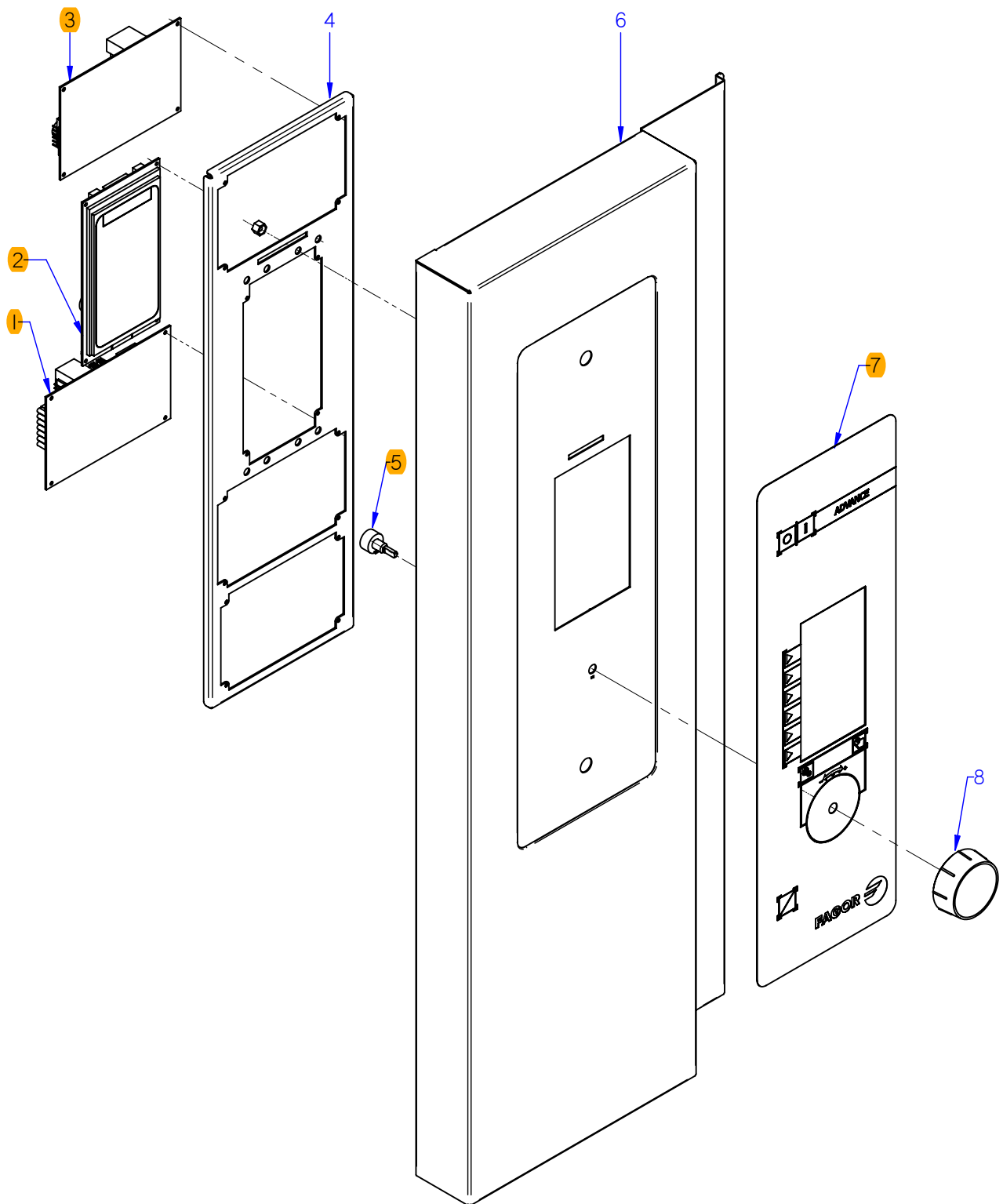


ITEM MARCADO EN COLOR = REPUESTO RECOMENDADO  
 COLOURED ITEM = RECOMMENDED SPARE PART

Nº plano / N° plane C-3008	Firma <i>[Signature]</i>	Fecha / Date 2012-09	Denominación / Denomination: PORTAMANDOS / CONTROL HOLDER HORNOS ACE-061 / 101	Lamina / Sheet 9	Fagor Industrial S.Coop. <b>FAGOR</b> Oñate
-------------------------------	-----------------------------	-------------------------	--	---------------------	--



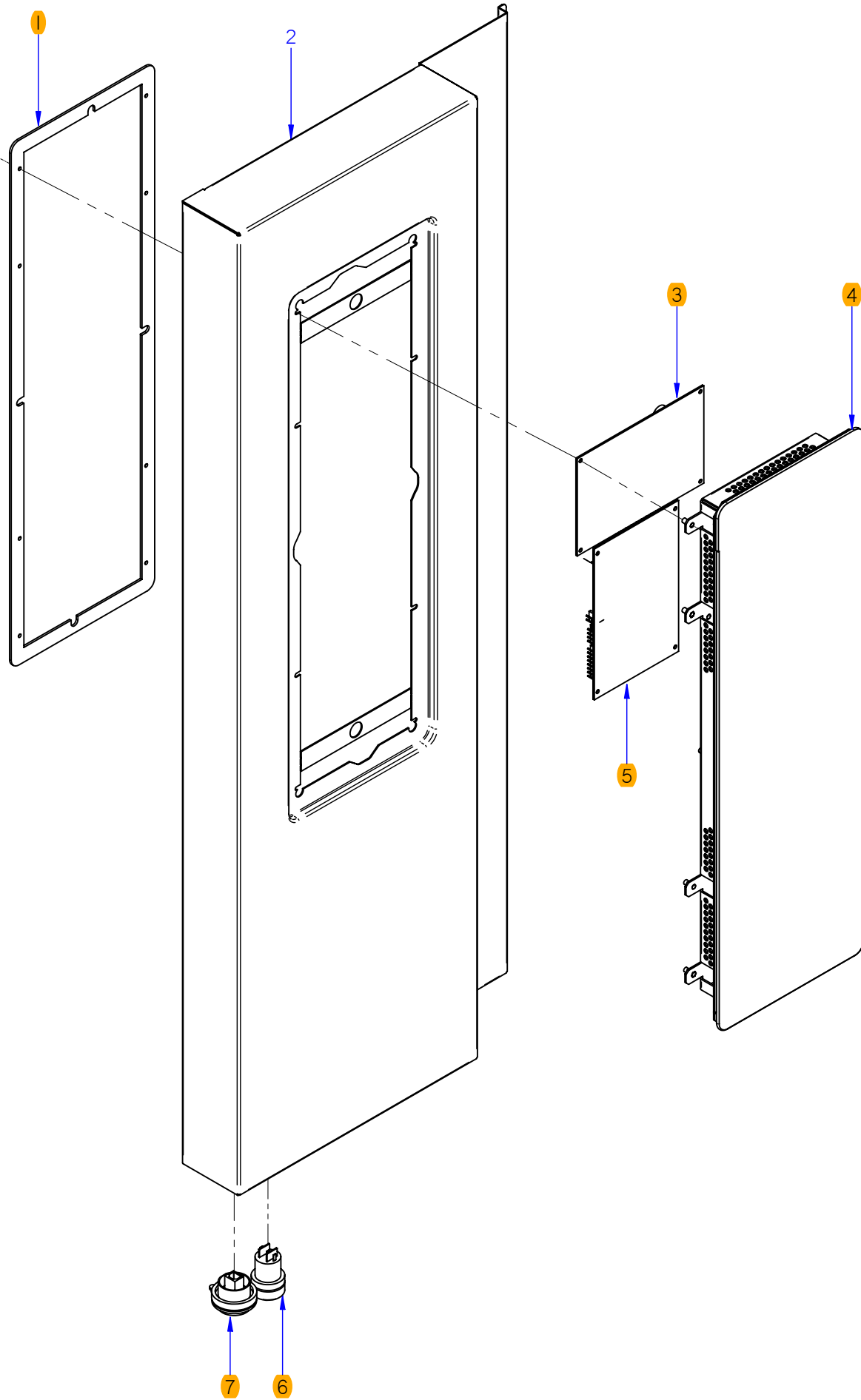




ITEM MARCADO EN COLOR = REPUESTO RECOMENDADO  
 COLOURED ITEM = RECOMMENDED SPARE PART

Nº plano / N° plane	Firma	Fecha / Date	Denominación / Denomination: PORTAMANDOS / CONTROL HOLDER	Lamina / Sheet	Fagor Industrial S.Coop. <b>FAGOR</b>
C-3009	<i>[Signature]</i>	2012-09	HORNOS AE-061 / 101	10	Oñate





ITEM MARCADO EN COLOR = REPUESTO RECOMENDADO  
 COLOURED ITEM = RECOMMENDED SPARE PART

Nº plano / N° plane <b>C-3010</b>	Firma <i>name Benja</i>	Fecha / Date <b>2012-09</b>	Denominación / Denomination: PORTAMANDOS / CONTROL HOLDER <b>HORNOS APE-061 / 101</b>	Lamina / Sheet <b>11</b>	Fagor Industrial S.Coop. <b>FAGOR</b>  Onate
--------------------------------------	----------------------------	--------------------------------	--	-----------------------------	--



MOD.	HORNOS / OVEN	ZONA / ZONE	VARIOS / MISCELLANEOUS							PLANO DIAGRAM				
ITEM	CODIGO REFERENCE	DENOMINACION	DENOMINATION	ACE-061	AE-061	APE-061	ACE-101	AE-101	APE-101			ELIMINADO ELIMINATED	INTRODUCID. INTRODUCED	NOTAS
	12045296	MANUAL DE USUARIO ADV CONCE	USER MANUAL ADV CONCEPT	1	-	-	1	-	-					
	12044975	MANUAL DE INSTALACION CONCE	INSTALLATION MANUAL CONCEP	1	-	-	1	-	-					
	12045298	MANUAL DE USUARIO ADVANCE	USER MANUAL ADVANCE	-	1	-	-	1	-					
	12044976	MANUAL DE INSTALACION ADVANC	INSTALLATION MANUAL ADVAN.	-	1	-	-	1	-					
	12045299	MANUAL DE USUARIO ADV PLUS	USER MANUAL ADV PLUS	-	-	1	-	-	1					
	12044977	MANUAL DE INSTALACION ADV PL	INSTALLATION MANUAL ADV PLU	-	-	1	-	-	1					
	12041777	ESQUEMA TEORICO ADE	THEORETICAL DIAGRAM ADE	1	1	1	1	1	1					
	12041895	PLANO DE MONTAJE ACE, AE, APE	ASSEMBLY PLAN ACE, AE, APE	1	1	1	1	1	1					
	12043788	INSTAL. ELECTRICA ACE 06 1	ELEC. INSTALL. ACE 06 1	1	-	-	-	-	-					
	12043785	INSTAL. ELECTRICA APE 06 1	ELEC. INSTALL. APE 06 1	-	1	1	-	-	-					
	12043773	INSTAL. ELECTRICA ACE 101, 102	ELEC. INSTALL. ACE 101, 102	-	-	-	1	-	-					
	12041848	INSTAL. ELECTRICA APE,AE,101,10	ELEC. INSTALL. APE,AE,101,102	-	-	-	-	1	1					
	12040567	CABLEADO LAVADO 201-102-202	WIRING CABLE 201-102-202	-	-	1	-	-	1					
	12009059	CABLEADO LAVADO 06,101	WIRING CABLE 06,101	-	-	1	-	-	1					
	12008976	CABLEADO PULSADOR RESET	RESET BUTTON WIRING	-	-	1	-	-	1					
	12043800	CABLEADO RESISTENCI. ACE 101	RESISTOR WIRING ACE 101	-	-	-	1	-	-					
	12041911	CABLEADO RESISTENCI. APE 101	RESISTOR WIRING APE 101	-	-	-	-	1	1					
	12023775	CABLE USB VISUAL PLUS 1,5M	VISUAL PLUS USB CABLE 1,5M	-	-	1	-	-	1					
	12009302	CABLEADO FUERZA COE101	POWER WIRE COE101	-	-	-	1	-	-					
	12009443	CABLEADO FUERZA VPE-101	POWER WIRE VPE VPE-101	-	-	-	-	1	1					
	12024569	CABLEADO LUZ INTERIOR HVG10-	INTERIOR LIGHT WIRING HVG10-	1	1	1	1	1	1					
	12023696	CABLEADO BMF	WIRING BMF	1	1	1	1	1	1					
	12009277	CD HACCP VISUAL COMPLETO	HACCP CD COMPLETE VISUAL	-	-	1	-	-	1					
	12022177	LEYENDA HORNOS	LEGEND OVENS	1	1	1	1	1	1					

MOD.	HORNOS / OVEN	ZONA / ZONE	REPUESTOS RECOMENDADOS RECOMMENDED SPARE PART									PLANO DIAGRAM		
ITEM	CODIGO REFERENCE	DENOMINACION	DENOMINATION	ACE-061	AE-061	APE-061	ACE-101	AE-101	APE-101			ELIMINADO ELIMINATED	INTRODUCID. INTRODUCED	NOTAS
	12046015	KIT PUERTA 061	DOOR 061 KIT	1	1	1								C-3001
	12046018	KIT PUERTA 101	DOOR 101 KIT				1	1	1					C-3001
1	12046041	KIT CRISTAL INTER. 061	061 INNER GLASS KIT	1	1	1								C-3001
1	12046042	KIT CRISTAL INTER. 101	101 INNER GLASS KIT				1	1	1					C-3001
3	12039312	BISAGRA SUPERIOR	UPPER HINGE	1	1	1	1	1	1					C-3001
7	12039311	BASE BISAGRA INFERIOR PUERTA	LOWER DOOR HINGE BASE	1	1	1	1	1	1			02.09.13		C-3001
7	12047967	BASE BISAGRA INFERIOR 6 DIEN	LOWER HINGE BASE	1	1	1	1	1	1				02.09.13	C-3001
8	12047580	REP. MANILLA 1/1 ADVANCE	HANDLE 1/1 ADVANCE	1	1	1	1	1	1					C-3001
9	12024560	INTERRUPTOR MAGNETICO AC	MAGNETIC SWITCH AC	1	1	1	1	1	1					C-3001
14	12023849	ANCLAJE PUERTA	DOOR ANCHORING	1	1	1	1	1	1					C-3001
15	12039599	JUNTA PUERTA COMPL. 061	DOOR JOINT 061	1	1	1								C-3001
15	12039475	JUNTA PUERTA COMPL. 101	DOOR JOINT 101				1	1	1					C-3001
6	12024464	MARCO LAMPARA	LAMP ANCHORING PLATEN	1	1	1	1	1	1					C-3002
S/Nº	12023532	JUNTA INTERIOR LAMPARA	LAMP INNER JOINT	1	1	1	1	1	1					C-3002
S/Nº	12023668	CRISTAL LAMPARA	LAMP GLASS	1	1	1	1	1	1					C-3002
S/Nº	12023578	JUNTA EXTERIOR LAMPARA	LAMP OUTER JOINT	1	1	1	1	1	1					C-3002
S/Nº	12024545	PORTALAMPARAS	LAMP HOLDER	1	1	1	1	1	1					C-3002
S/Nº	12025123	LAMPARA 10W-12V	LIGHT 10W 12V	1	1	1	1	1	1					C-3002
13	12024800	DUCHA	SHOWER		1	1		1	1					C-3002
1	12024325	MOTOR 230V AC 3N650KW 1450RP	MOTOR 230V AC 3N650KW 1450	1	1	1	1	1	1					C-3003
4	12024510	RETEN 17X28X7V	RETAINER 28x17x7	2	2	2	2	2	2					C-3003
5	12010122	ANILLO DE SEGURIDAD Ø 28X1.2	SAFETY RING 28x1,2	1	1	1	1	1	1					C-3003
6	12024306	TURBINA RECTA Ø350X127 HANN.	TURBINE RECTA Ø350X127 HAN	1	1	1	1	1	1					C-3003
7	12041165	JUNTA RESIST. CIRCULAR 1/1 ADV	RESIST. CIRCULAR 1/1 ADV SEAL	1	1	1	2	2	2					C-3003
8	12039496	RESIST.CONVECCION INT. 9Kw AD	CONVECTION RESIST. INT. ADV	1	1	1	1	1	1					C-3003
9	12039497	RESIST.CONVECCION EXT. 9Kw AD	RESIST.CONVECCION EXT. ADV				1	1	1					C-3003
11	12025193	INTERRUPTOR PUERTA	DOOR SWITCH	2	2	2	2	2	2					C-3004
12	12024638	MOTOR CHIMENEA	FLUEPIPE MOTOR	1	1	1	1	1	1					C-3004
14	12024122	TUBO FLEXIBLE Ø53X360	FLEXIBLE TUBE Ø53X360	1	1	1	1	1	1					C-3004
1	12025161	ELECTROVALV. 230VAC 50/60Hz 1V	SOLENOID VALVE 230VAC 1 V	2			2							C-3005
1	12023921	ELECTR. 230V AC 50/60Hz 3 VIAS A	SOLENOID 230V AC 50/60Hz 3 V		1	1		1	1					C-3005

MOD.	HORNOS / OVEN		ZONA / ZONE	REPUESTOS RECOMENDADOS RECOMMENDED SPARE PART						PLANO DIAGRAM				
ITEM	CODIGO REFERENCE	DENOMINACION	DENOMINATION	ACE-061	AE-061	APE-061	ACE-101	AE-101	APE-101			ELIMINADO ELIMINATED	INTRODUCID. INTRODUCED	NOTAS
8	12039546	MOTOBOMBA 230V AC 1N 50/60Hz	PUMP 230V AC 50/60Hz 30W 1N	-	1	1	-	1	1					C-3005
10	12024754	MOTORREDUCTOR 230V AC 1N	MOTOREDCER 230V AC 1N	-	-	1	-	-	1					C-3005
14	12025193	INTERRUPTOR PUERTA	DOOR SWITCH	-	-	2	-	-	2					C-3005
17	12024796	CUERPO VALVULA COMPLETO	COMPLETE VALVE BODY	-	-	1	-	-	1					C-3005
20	12024708	MOTOBOMBA ACLARADO	MOTOR-PUMP	-	-	1	-	-	1					C-3005
21	12047404	MOD CONJUNTO DESAGUE ADV	ADV DRAIN SET MODEL	1	1	1	1	1	1			03.12.12		C-3005
1	12046048	KIT GENERADOR VAPOR 601	STEAM GENERATOR 601 KIT	-	1	1	-	-	-					C-3006
1	12046049	KIT GENERADOR VAPOR 101	STEAM GENERATOR 101 KIT	-	-	-	-	1	1					C-3006
2	12041855	TUBO FLEXIBLE Ø53X360 VARILLA	FLEXIBLE TUBE Ø53X360	-	1	1	-	1	1			01.01.13		C-3006
2	12047930	EMPALME GENERADOR 061	GENERATOR JOINT 601	-	1	1	-	1	1			01.01.13		C-3006
5	12023573	ELECTRODO ALTO	HIGH LEVEL ELECTRODE	-	1	1	-	1	1					C-3006
6	12023574	ELECTRODO BAJO	LOW LEVEL ELECTRODE	-	1	1	-	1	1					C-3006
7	12023575	ELECTRODO DE MASA	EARTH ELECTRODE	-	1	1	-	1	1					C-3006
10	12024752	RESISTENCIA 3x3000W 230V	RESISTOR 3x3000W 230V	-	1	1	-	1	1					C-3006
11	12023680	JUNTA CIERRE RESISTENCIAS	RESISTOR SEAL	-	1	1	-	2	2					C-3006
12	12024747	RESISTENCIA 3x3000W	RESISTOR 3x3000W	-	-	-	-	1	1					C-3006
13	12039546	MOTOBOMBA 230V AC 1N 50/60Hz	PUMP 230V AC 50/60Hz 30W 1N	-	1	1	-	1	1					C-3006
15	12023921	ELECTR. 230V AC 50/60Hz 3 VIAS A	SOLENOID 230V AC 50/60Hz 3 V	-	1	1	-	1	1					C-3006
16	12023901	CONJUN. TERMOPAR VAPOR	STEAM THERMOCOUPLE UNIT	-	1	1	-	1	1					C-3006
1	12024329	VARIADOR FRECUENCIA SIE 0,37K	FREQUENCY VARIATOR SIE 0.37	1	1	1	1	1	1			26.02.13		C-3007
1	12048794	REP VARIADOR REGULADO 061E	REGULATED VARIATOR 061E	1	1	1	-	-	-				26.02.13	C-3007
1	12048798	REP VARIADOR REGULADO ADV	REGULATED VARIATOR ADV	-	-	-	1	1	1				26.02.13	C-3007
2	12024642	CONJUN. TERMOPAR CAMARA (K)	CHAMBER THERMOCOUPLE UNIT	1	1	1	1	1	1					C-3007
6	12039548	SONDA PINCHO ADVANCE	ADVANCE PROBE PINCHO	1	1	1	1	1	1					C-3007
14	12023862	VENTILADOR 230V.50-60HZ	FAN 230V 50/60HZ	2	2	2	2	2	2			02.09.13		C-3007
14	12049846	VENTILADOR 230V.50-60HZ 53W	FAN 230V 50/60HZ 53W	2	2	2	2	2	2			02.09.13		C-3007
17	12024173	TRANSFORMADOR 12-0-12-0,24-0	TRANSFORMER 12-0-12-0,24-0	1	1	1	1	1	1					C-3007
18	12041634	CONJUN.TERMOPAR VAPOR Ø4-06	STEAM THERMOCOUPLE UNIT Ø	1	1	-	1	1	-					C-3007
18	12044609	CONJUNTO TERMOPAR L425	THERMOCOUPLE UNIT L425	-	-	1	-	-	1					C-3007
20	12025135	CONDENSADOR 3 µF	CONDENSER 3 µF	-	-	1	-	-	1					C-3007
1	12046659	CONTROL TARJETA CAM.12V AC .	CARD CONTROL 12V AC 50/60Hz	1	-	-	1	-	-					C-3008

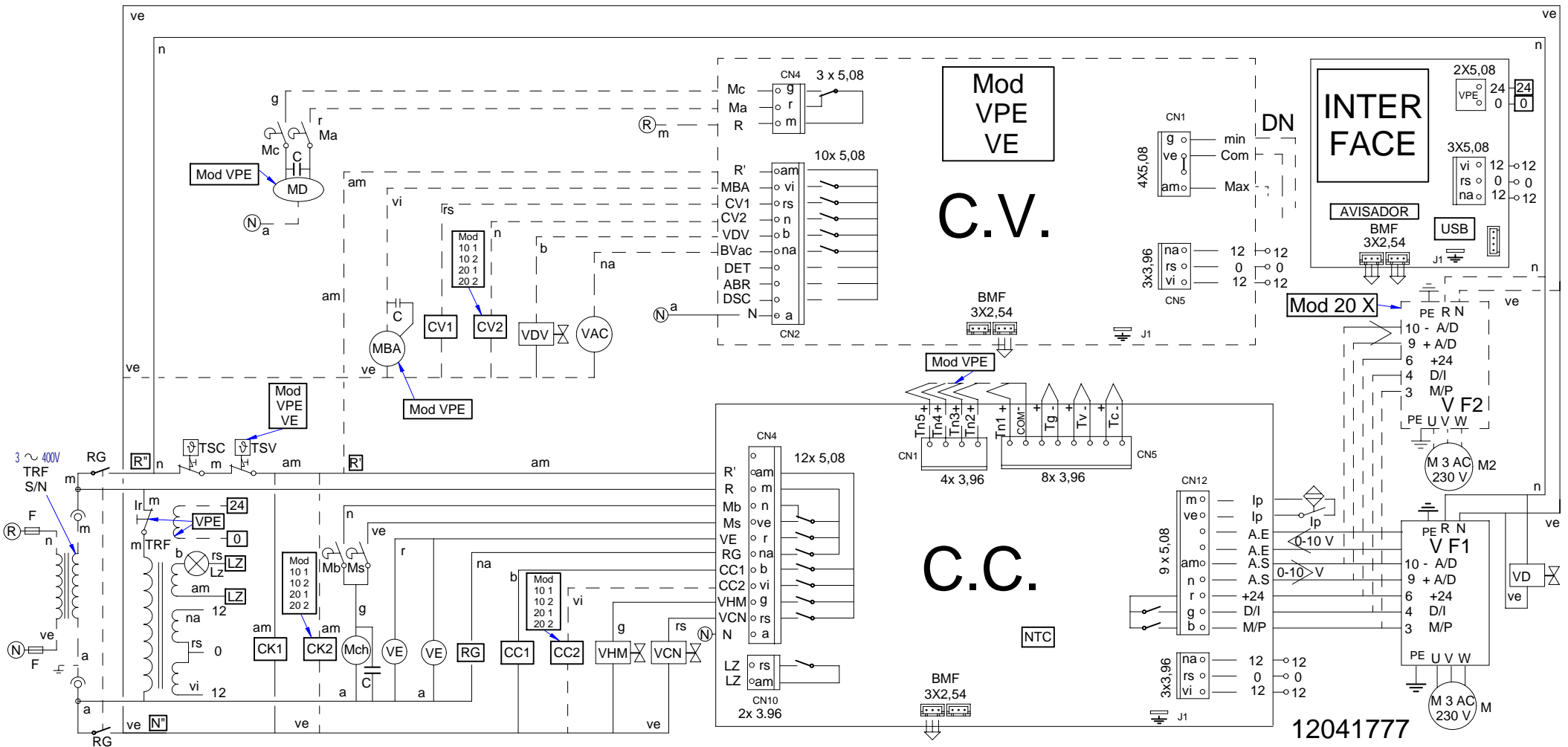
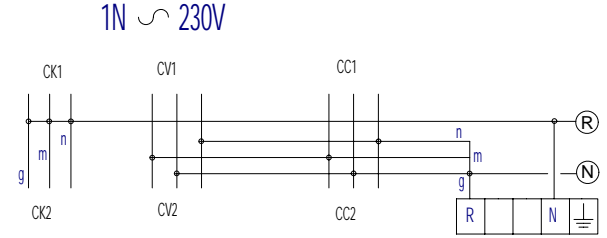
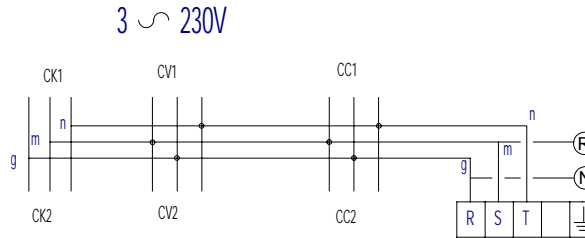
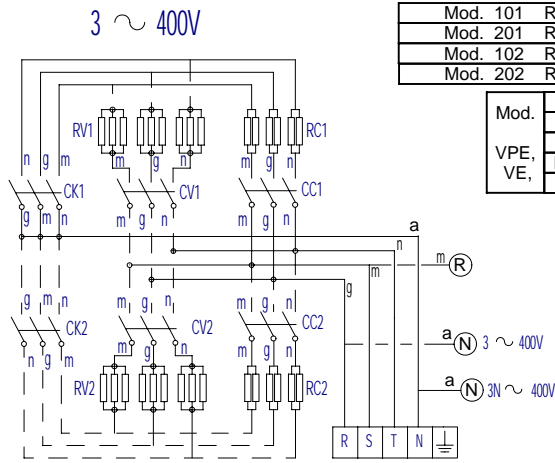




APE 06 1, APE 10 1, APE 10 2, APE 20 1, APE 20 2  
 AE 06 1, AE 10 1, AE 10 2, AE 20 1, AE 20 2  
 ACE 06 1, ACE 10 1, ACE 10 2, ACE 20 1, ACE 20 2

Mod. 101	RC2=3x3KW	Mod. 061, 101	RC1=3x3KW
Mod. 201	RC2=3x6KW	Mod. 201	RC1=3x6KW
Mod. 102	RC2=3x5KW	Mod. 102	RC1=3x5KW
Mod. 202	RC2=6x5KW	Mod. 202	RC1=6x5KW

Mod.	Mod. 061, 101	RV1=3x3KW
VPE, VE,	Mod. 201, 102	RV1=6x3KW
	Mod. 202	RV1=9x3KW
	Mod. 101, 102, 201	RV2=3x3KW
	Mod. 202	RV2=9x3KW



12041777



	ESPAÑOL	FRANÇAIS	ENGLISH	DEUTSCH	ITALIANO
BEC	Bujía Encendido Cámara	Chamber Allumage Chambre	Chamber Spark Plug	Zündkerze Einschalten Garraum	Candela di Accensione Camera
BEV	Bujía Encendido Caldera	Bougie Allumage Chaudière	Boiler Spark Plug	Zündkerze Einschalten Boile	Candela di Accensione Caldaia
C.C.	Control Camara	Contrôle Chambre	Chamber Control	Steuerung Garraum	Controllo Camera
C.E.C	Control Combustión Cámara	Contrôle Combustion Chambre	Chamber Combustion Control	Steuerung Verbrennung Garraum	Controllo Combustione Camera
C.E.V	Control Combustión Caldera	Contrôle Combustion Chaudière	Boiler Combustion Control	Steuerung Verbrennung Boiler	Controllo Combustione Caldaia
C.G.	Control Gas	Contrôle Gaz	Control Gas	Steuern Sie Gas	Controlli il gas
C.V.	Control Caldera	Contrôle Chaudière	Boiler Control	Steuerung Boiler	Controllo Caldaia
CC1, CC2	Contactador Resistencia Cámara	Contacteur Élément Chauffant Chambre	Chamber Heating Element Contactor	Schütz Heizwiderstand Garraum	Contattore Resistenza Camera
CK1, CK2	Contactador General Calentamiento	Relais Élément Chauffant	Heating Element Relay	Relais Heizwiderstand	Relè Resistenza
CV1, CV2	Contactador Resistencias Caldera	Contacteur Élément Chauffant Chaudière	Boiler Heating Element Contactor	Schütz Heizwiderstand Boiler	Contattore Resistenza Caldaia
DEC	Detector Llama Cámara	Détecteur Flamme Chambre	Chamber Flame Detector	Flammendetektor Garraum	Rilevatore di Fiamma Camera
DEV	Detector Llama Caldera	Détecteur Flamme Chaudière	Boiler Flame Detector	Flammendetektor Boiler	Rilevatore di Fiamma Caldaia
DN	Detector Nivel Caldera	Détecteur Niveau Chaudière	Boiler Level Detector	Pegeldetektor Boiler	Rilevatore Livello Caldaia
F	Fusibles	Fusibles	Fuses	Sicherungen	Fusibili
FI	Filtro Interferencias	Filtre Interférences	Interference Filter	Störungsfilter	Filtro Interferenze
FM	Térmico Motor	Thermique Moteur	Thermal Engine	Thermoschalter Motor	Termico Motore
GV1, GV2	Electro válvula Gas Cámara	Électrovanne Gaz Chambre	Chamber Gas Solenoid Valve	Elektroventil Gas Garraum	Elettrovalvola Gas Camera
GV3, GV4	Electro válvula Gas Caldera	Électrovanne Gaz Chaudière	Boiler Gas Solenoid Valve	Elektroventil Gas Boiler	Elettrovalvola Gas Caldaia
Ip	Interruptor Seguridad Puerta	Interrupteur Sécurité Porte	Door Safety Switch	Sicherheitsschalter Tür	Itteruttore Sicurezza Porta
Lz	Luz Interior	Éclairage Intérieur	Inner Light	Innenbeleuchtung	Luce Interna
M, M2	Motor Turbina	Moteur Turbine	Turbine Engine	Motor Turbine	Motore Turbina
Ma	Interruptor Micro Abierto	Microrupteur Ouvert	Open Microswitch	Mikroschalter Geöffnet	Itteruttore Micro Aperto
Mb	Interruptor Micro Bajada	Microrupteur Descente	Drop Microswitch	Mikroschalter Senken	Itteruttore Micro Discesa
Mc	Interruptor Micro Cerrado	Microrupteur Fermé	Closed Microswitch	Mikroschalter Geschlossen	Itteruttore Micro Chiuso
Mch	Motor Chimenea	Moteur Cheminée	Stack Engine	Motor Abluftkamin	Motore Canna
MD	Motor Desague	Moteur évacuation	Drain Engine	Motor Abfluss	Motore scolo
Ms	Interruptor Micro Subida	Microrupteur Montée	Rise Microswitch	Mikroschalter Heben	Itteruttore Micro Salita
PF	Potenciómetro Selector Funciones	Potentiomètre Sélecteur Fonctions	Functions Selector Potentiometer	Potentiometer Funktionswahlschalter	Potenziometro Selettore Funzioni
RC	Resistencias Cámara	Éléments Chauffants Chambre	Chamber Heating Element	Heizwiderstände Garraum	Resistenze Camere
RG	Rele General	Relais Général	Main Relay	Hauptrelais	Relè principale
RV	Resistencias Caldera	Éléments Chauffants Chaudière	Boiler Heating Element	Heizwiderstände Boiler	Resistenze Caldaia
Tc	Sonda Cámara	Sonde Chambre	Chamber Probe	Sonde Garraum	Sonda Camera
TCN	Termostato Condensación	Thermostat Condensation	Condensation Thermostat	Thermostat Kondensierung	Termostato Condensazione
Tg	Sonda Caldera	Sonde Chaudière	Boiler Probe	Sonde Boiler	Sonda Caldaia
Tn	Sonda Núcleo	Sonde Noyau	Core Probe	Kerntemperaturmesssonde	Sonda Nucleo
TRF	Transformador	Transformateur	Transformer	Transformator	Trasformatore
TSC	Termostato Seguridad Cámara	Thermostat Sécurité Chambre	Chamber Safety Thermostat	Sicherheitsthermostat Garraum	Termostato Sicurezza Camera
TSV	Termostato Seguridad Caldera	Thermostat Sécurité Chaudière	Boiler Safety Thermostat	Sicherheitsthermostat Boiler	Termostato Sicurezza Caldaia
Tv	Sonda Vapor	Sonde Vapeur	Steam Probe	Sonde Dampf	Sonda Vapore
VAC	Bomba Vaciado	Pompe Vidange	Vacuum Pump	Ablasspumpe	Pompa scarico
MBA	Moto Bomba Aclarado	Pompe Rinçage	Rinsing Pump	Pumpe Ausspülen	Pompa Risciacquo
VC1, VC2	Ventilador Soplante Camara	Ventilateur Soufflant	Blowing Fan	Ventilator Gebläse	Ventilatore Soffiante
VCN	Electro válvula Condensación	Électrovanne Condensation	Condensation Solenoid Valve	Elektroventil Kondensierung	Elettrovalvola Condensazione
VDV	Electro válvula Llenado Caldera	Électrovanne Remplissage Chaudière	Chamber Filling Solenoid Valve	Elektroventil Füllung Boiler	Elettrovalvola di Riempiemento Caldaia
VE	Ventilador Cuadro Eléctrico	Ventilateur Tableau Électrique	Fan Switchboard	Ventilator Elektrotafel	Ventilatore Quadro Elettrico
VF1, VF2	Variador de Frecuencia	Variateur Vitesse	Speed Variator	Geschwindigkeitsregler	Variatore di Velocità
VHM	Electro válvula Humidificador	Électrovanne Humidificateur	Humidifier Solenoid Valve	Elektroventil Befeuchtungsvoerrichtung	Elettrovalvola Umidificatore
Vv	Ventilador Soplante Caldera	Ventilateur soufflement chaudière	Boiler Blowing Fan	Durchbrennenventilator zum Dampfkessel	Ventilatore Soffiante caldaia
	<b>COLORES</b>	<b>COULEURS</b>	<b>COLOUR</b>	<b>FARBEN</b>	<b>COLORE</b>
a	Azul	Bleu	Blue	Blau	Blu
am	Amarillo	Jaune	Yellow	Gelb	Giallo
am/ve	Amarillo/verde	Jaune / vert	Yellow / green	Gelb/grün	Giallo/verde
b	Blanco	Blanc	White	Weiß	Bianco
g	Gris	Gris	Grey	Grau	Grigio
m	Marrón	Marron	Brown	Braun	Marrone
n	Negro	Noir	Black	Schwarz	Nero
na	Naranja	Orange	Orange	Orange	Arancio
r	Rojo	Rouge	Red	Rot	Rosso
rs	Rosa	Rose	Pink	Rosa	Roseo
ve	Verde	Vert	Green	Grün	Verde
vi	Violeta	Violet	Purple	Violett	Viola