
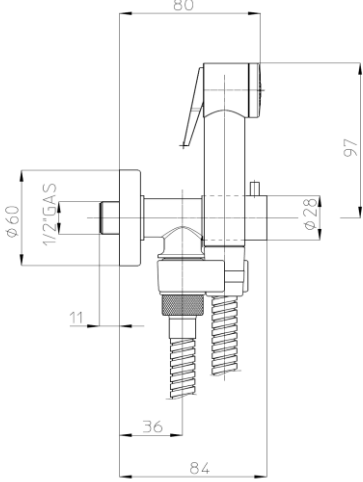
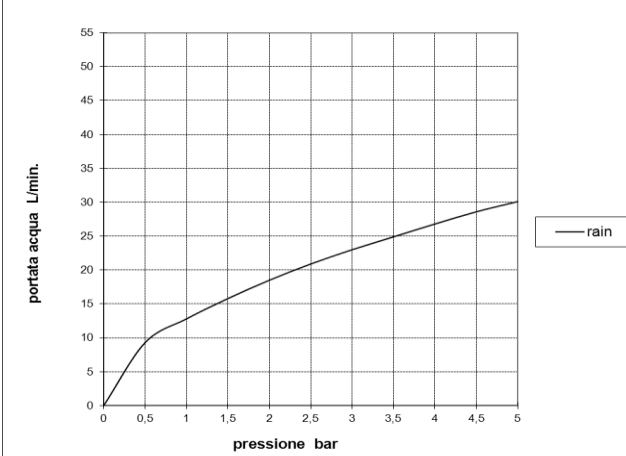
	<b>SCHEDA TECNICA</b> TECHNICAL SHEET	Date: 16/6/2016	Rev/0																										
<b>Codice / Code:</b> <b>E57006</b>	<b>Descrizione / description:</b> Set doccia a pulsante in ABS, rubinetto d'arresto con supporto doccia 1/2" M, flessibile Shower Set with ABS Shut-off handspray, stop valve 1/2" M with shower holder, hose																												
<b>Foto / image</b> 	<b>Disegni / drawings</b> 																												
<b>Grafico di portata / Flow rate diagram</b> <table border="1" data-bbox="316 958 616 1330"> <thead> <tr> <th></th> <th>rain</th> </tr> </thead> <tbody> <tr><td>0</td><td>0</td></tr> <tr><td>0,5</td><td>9,3</td></tr> <tr><td>1</td><td>12,8</td></tr> <tr><td>1,5</td><td>15,8</td></tr> <tr><td>2</td><td>18,5</td></tr> <tr><td>2,5</td><td>20,9</td></tr> <tr><td>3</td><td>23</td></tr> <tr><td>3,5</td><td>24,9</td></tr> <tr><td>4</td><td>26,8</td></tr> <tr><td>4,5</td><td>28,6</td></tr> <tr><td>5</td><td>30,1</td></tr> <tr> <td>pressione <b>bar</b></td> <td>portata <b>L/min</b></td> </tr> </tbody> </table>			rain	0	0	0,5	9,3	1	12,8	1,5	15,8	2	18,5	2,5	20,9	3	23	3,5	24,9	4	26,8	4,5	28,6	5	30,1	pressione <b>bar</b>	portata <b>L/min</b>		
	rain																												
0	0																												
0,5	9,3																												
1	12,8																												
1,5	15,8																												
2	18,5																												
2,5	20,9																												
3	23																												
3,5	24,9																												
4	26,8																												
4,5	28,6																												
5	30,1																												
pressione <b>bar</b>	portata <b>L/min</b>																												
<b>MATERIALI / materials</b> Brass (hose and stop valve), ABS (handshower), NBR, Stainless steel																													
<b>CARATTERISTICHE IDRAULICHE / hydraulic features</b> <table border="1" data-bbox="204 1547 1447 1778"> <thead> <tr> <th></th> <th>pressione pressure</th> <th>portata flow rate</th> <th>temperatura temperature</th> <th colspan="2">solo per miscelatori termostatici only for thermostatic mixers</th> </tr> </thead> <tbody> <tr> <td>min</td> <td><b>1 bar</b></td> <td><b>L/min</b></td> <td>--</td> <td>Blocco di sicurezza safety lock</td> <td>/</td> </tr> <tr> <td>max</td> <td><b>5 bar</b></td> <td><b>L/min</b></td> <td><b>&lt;70°C</b></td> <td>Temperatura acqua fredda cold water temperature</td> <td>/</td> </tr> <tr> <td>consigliata recommended</td> <td><b>2-3 bar</b></td> <td><b>L/min</b></td> <td>--</td> <td>Temperatura acqua calda hot water temperature</td> <td>/</td> </tr> </tbody> </table>					pressione pressure	portata flow rate	temperatura temperature	solo per miscelatori termostatici only for thermostatic mixers		min	<b>1 bar</b>	<b>L/min</b>	--	Blocco di sicurezza safety lock	/	max	<b>5 bar</b>	<b>L/min</b>	<b>&lt;70°C</b>	Temperatura acqua fredda cold water temperature	/	consigliata recommended	<b>2-3 bar</b>	<b>L/min</b>	--	Temperatura acqua calda hot water temperature	/		
	pressione pressure	portata flow rate	temperatura temperature	solo per miscelatori termostatici only for thermostatic mixers																									
min	<b>1 bar</b>	<b>L/min</b>	--	Blocco di sicurezza safety lock	/																								
max	<b>5 bar</b>	<b>L/min</b>	<b>&lt;70°C</b>	Temperatura acqua fredda cold water temperature	/																								
consigliata recommended	<b>2-3 bar</b>	<b>L/min</b>	--	Temperatura acqua calda hot water temperature	/																								
<b>CERTIFICAZIONI / CERTIFICATIONS:</b> <b>Handshower:</b> ACS (FRA), WELS PUB (SGP); <b>Hose:</b> ACS (FRA), NF [EN1113] (FRA)																													
<b>CONFORMITA' / CONFORMITY .</b> Chrome plating EN 248; Mixer - EN 200, EN 817.																													