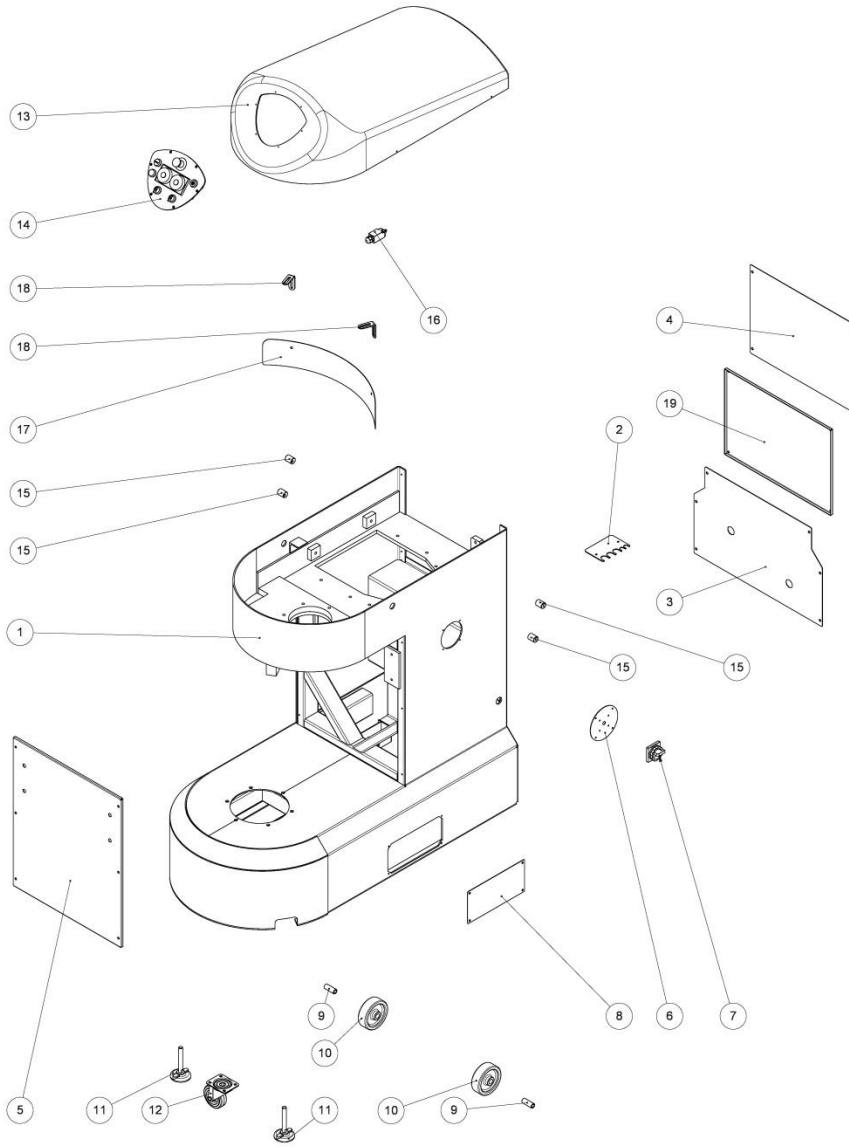


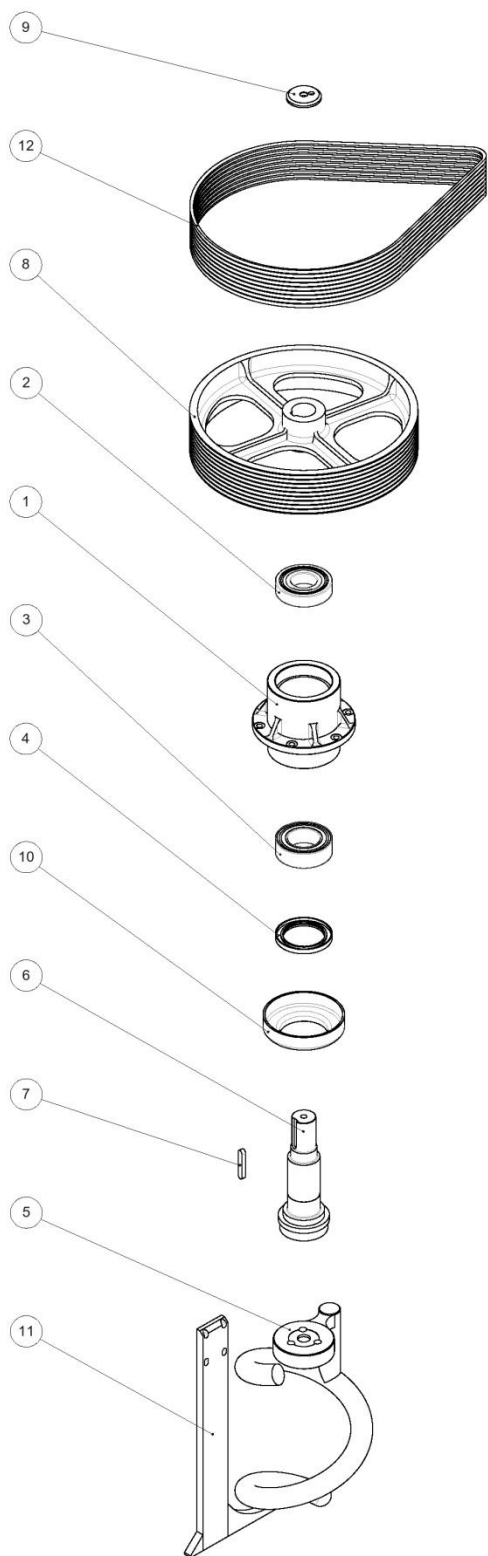
**APPENDIX 5: ESPLOSO V 160-200 AII V 50 Hz/ EXPLODED VIEW OF V 160 -200**  
**MIXER AND PARTS LIST AII V 50 Hz**

**ESPLOSO STRUTTURA MACCHINA/ EXPLODED VIEW OF MACHINE STRUCTURE**



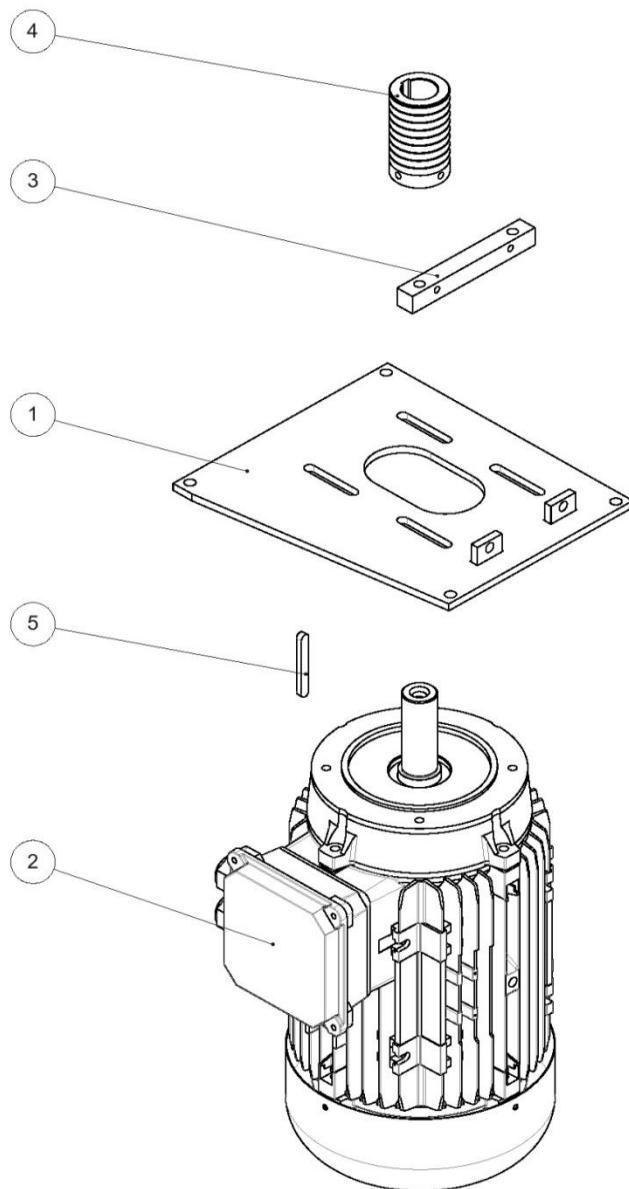
Pos.	Description	Q.ty	Part no.
1	Scocca V/V-R 160/200/ Body V/V-R 160/200	1	501005
2	Piastra fermacavi/Cables-holder plate	1	691005
3	Lamiera chiusura posteriore bassa/ Lower rear closing plate	1	659011
4	Lamiera chiusura posteriore alta/ Upper rear closing plate	1	659025
5	Carter anteriore/ Front casing	1	700002
6	Piastra interruttore generale/Main switch plate	1	691004
7	Interruttore generale/Main switch	1	E34002
8	Chiusura laterale/Side closing casing	1	700005
9	Distanziale per ruota in nylon/Spacer for nylon wheel	2	643002
10	Ruote Nylon Ø=120, Øf=12, sp.=35/ Nylon wheel Ø=120, Øf=12, sp.=35	2	698002
11	PIEDINO in plastica M24 X 125 ZNF-Plastic foot M24x125	2	P01007
12	Ruota girevole Ø100 H=128/ Revolving wheel Ø100 H=128	1	K17001
13	Coperchio testa/ Head cover	1	625027
14	Assieme sinottico/ Control panel assembly	1	524001
15	Eccentrico / Eccentric	4	616003
16	Microinterruttore/ Microswitch	1	E48001
17	Parafarina V-R 160/Flour protection cover V-R 160	1	704005
17	Parafarina V-R 200/Flour protection cover V-R 200	1	704006
18	Staffa supporto parafarina/ Flour protection cover support bracket	2	734005
19	Carter posterior bombato/Lower casing	1	700011

**ESPLOSO GRUPPO SPIRALE/ EXPLODED VIEW OF SPIRAL TOOL ASSEMBLY**



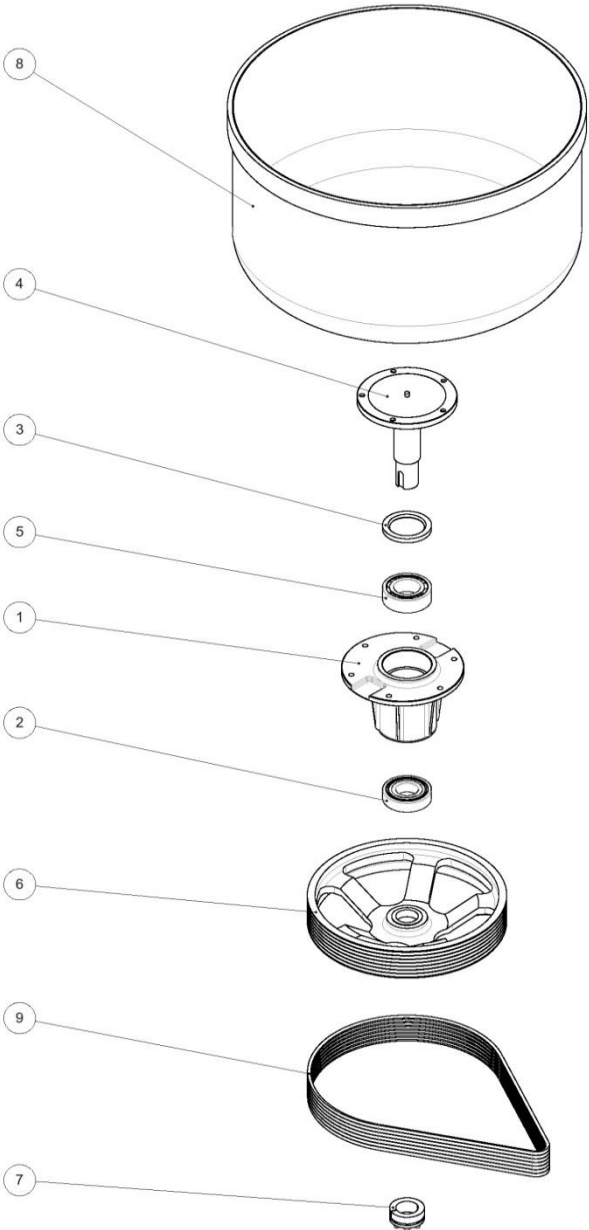
Pos	Description	Q.ty	Part no.
1	Supporto albero spirale/ Spiral tool shaft support	1	714012
2	Cusci. radiale a sfere 6312-2RS1/ Bearing 6312-2RS1	1	K10013
3	Cuscin. obliquo a sfere 3215 A - 2Z / Bearing 3215 A	1	K10012
4	Anello MIM (130x95x12)/ Sealing ring type MIM (130x95x12)	1	A02005
5	Spirale/ Spiral tool	1	720002
6	Albero spirale/ Spiral tool shaft	1	600008
7	Linguetta 16x10 L=80 UNI 6604/ Key L=80 UNI 6604	1	B24006
8	Puleggia "SPZ" - 09 gole - Øp=517- Øe=522 - Øf=55/ Pulley SPZ 9 Øp=517- Øe=522 - Øf=55	1	680015
9	Rondella Ø80/ Washer Ø80	1	712005
10	Coppetta albero spirale/ Spiral tool shaft cup	1	635003
11	Piantone/ Breaking column	1	675016
12	Cinghia dentata "XPZ" Svil.=1900/ Toothed belt XPZ 1900	9	K19011

**ESPLOSO GRUPPO MOTORE SPIRALE/ EXPLODED VIEW OF THE SPIRAL TOOL**  
**MOTOR ASSEMBLY**



Pos	Description	Q.ty	Part no.
1	Slitta motore/ Spiral motor plate	1	730017
2	Motore 160 - 4/8 Poli - B14 - Kw 5.9/10.3 - 50 Hz - 400 V/ Spiral motor 160 - 4/8 Poli - B14 - Kw 5.9/10.3 - 50 Hz - 400 V	1	M66001
2	Motore 160 4/8 Poli- B14 kw 5,9/10,3 220 V 50 hz/ Spiral motor 4/8 Poli- B14 kw 5,9/10,3 220 V 50 hz	1	M66002
3	Blocco tendicinghia/ Belt tensioner block	1	613002
4	Puleggia "SPZ" - 9 gole - $\varnothing$ p=66 - $\varnothing$ e=70 - $\varnothing$ f=42/ Pulley "SPZ" - 9 gole - $\varnothing$ p=66 - $\varnothing$ e=70 - $\varnothing$ f=42	1	680008
5	Linguetta 12x8 L=90 UNI 6604/ Key 12x8 L=90 UNI 6604	1	B24003

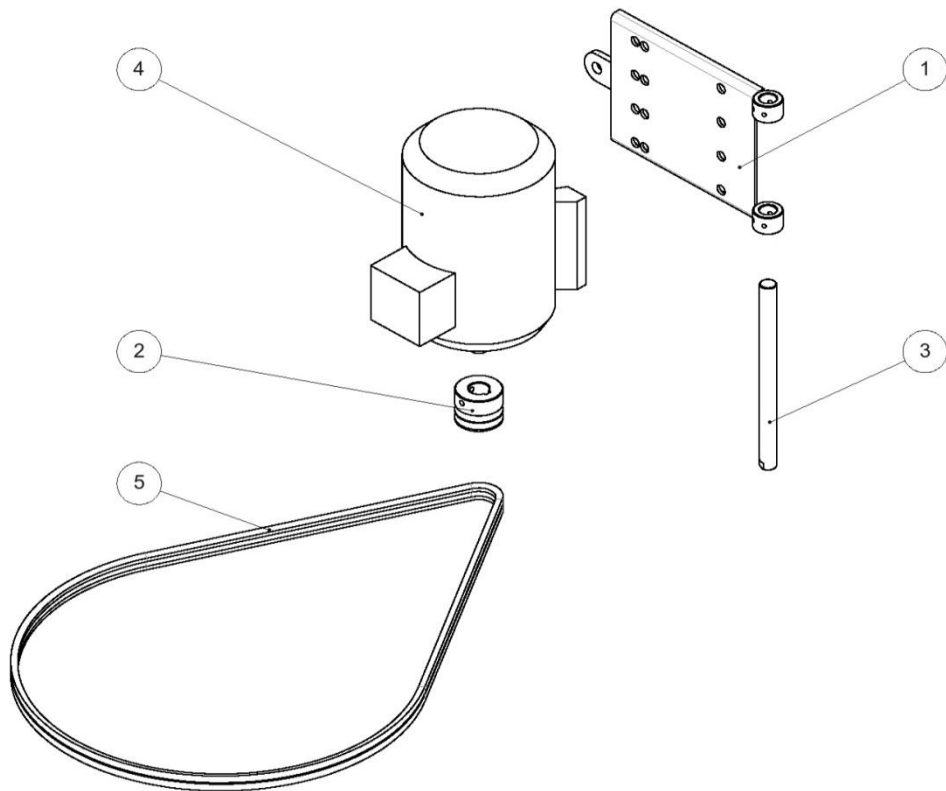
**ESPLOSO GRUPPO VASCA/ EXPLODED VIEW OF THE BOWL ASSEMBLY**



Pos	Description	Q.ty	Part no.
1	Supporto albero vasca/ Bowl shaft support	1	714007
2	Cuscinetto radiale a sfere 6311-2RS / Bearing 6311-2RS	1	K10007
3	Anello MIM 6090 (85-120-12)/ Sealing ring MIM 6090 (85-120-12)	1	A02003
4	Albero vasca / Bowl shaft	1	600003
5	Cuscinetto obliquo a sfere 3213/ Bearing 3213	1	K10004
6	Puleggia "SPZ" - 7 gole - Øp=483 - Øe=488 - Øf=55/ Pulley SPZ 7 Øp=483 - Øe=488 - Øf=55	1	680005
7	Calettatore Øf=55, Øe=85/ Locking collar Øf=55, Øe=85	1	K40003
8	Vasca 160 Kg./ 160 kg bowl	1	760003
8	Vasca 200 Kg./ 200 kg bowl	1	760004
9	Cinghia dentata "XPZ" Svil.=1850 per V 160/ Toothed belt XPZ 1850 for V 160	7	K19010
	Cinghia dentata "XPZ" Svil.=1900 per V 200/ Toothed belt XPZ 1900 for V 200	7	K19011

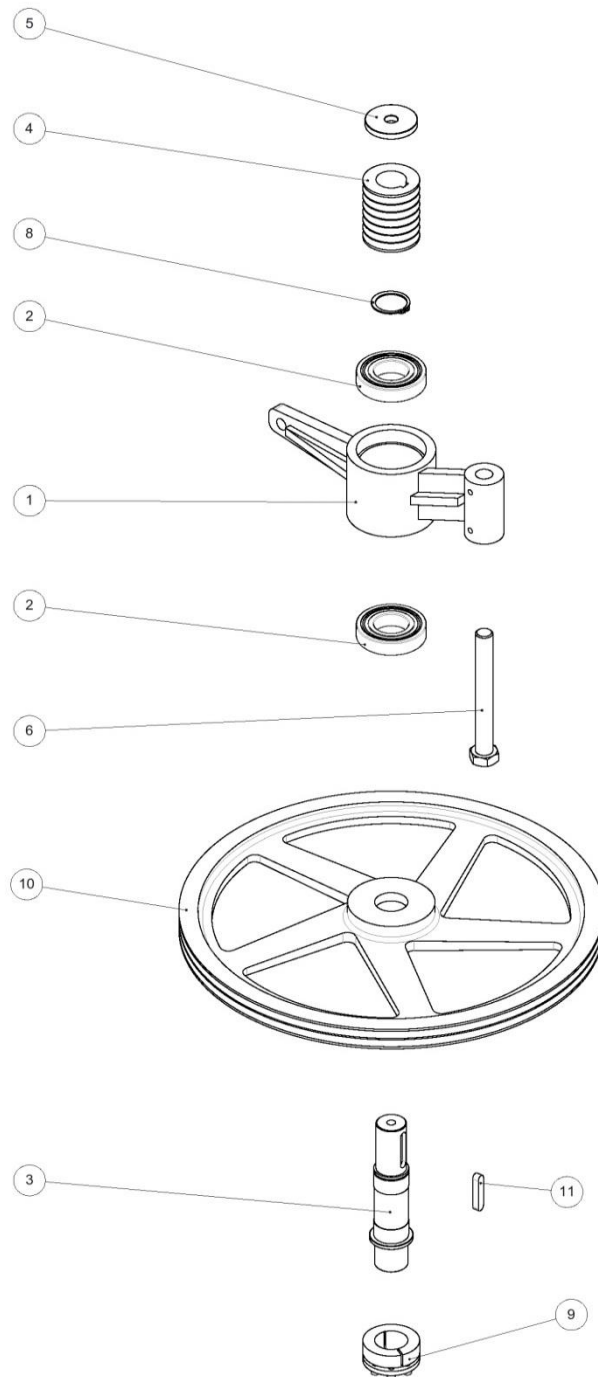


**ESPLOSO GRUPPO MOTORE VASCA/ EXPLODED VIEW OF THE BOWL MOTOR**  
**ASSEMBLY**



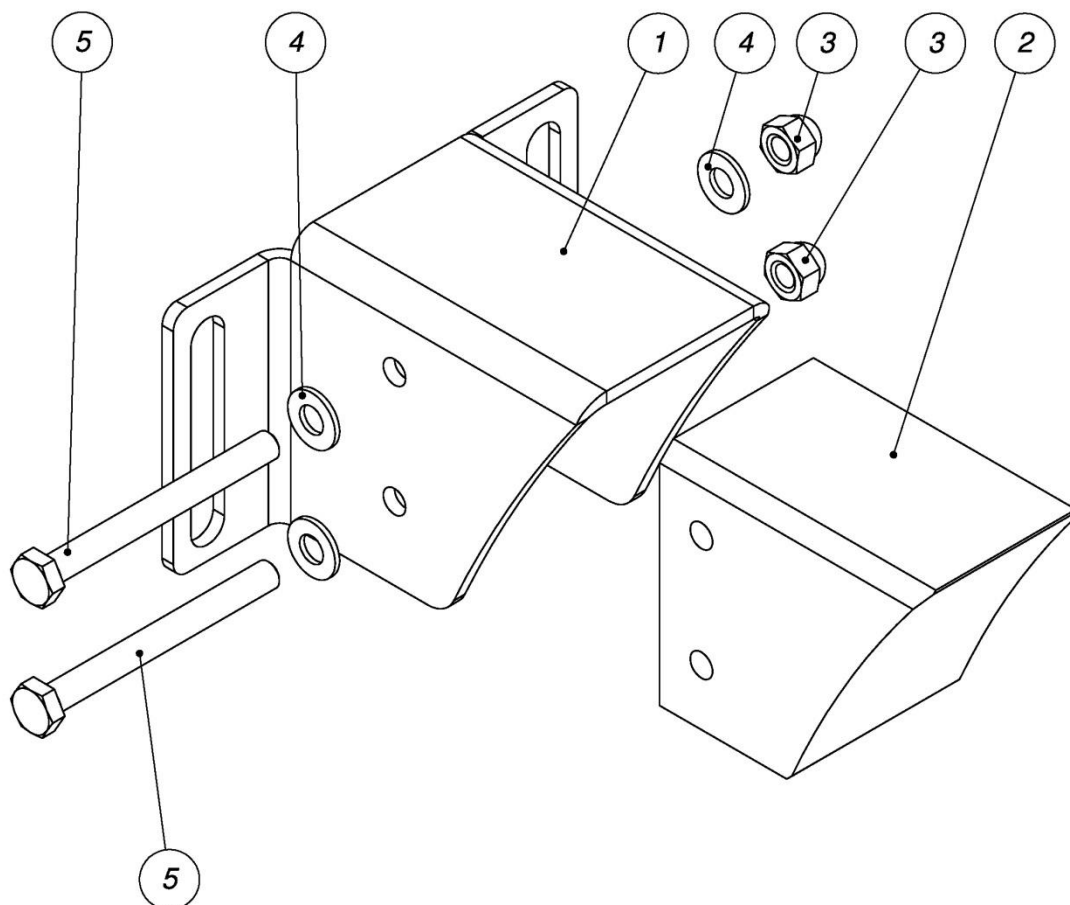
Pos	Description	Q.ty	Part no.
1	Slitta motore vasca / Bowl motor plate	1	730002
2	Puleggia "SPZ" - 2 gole - Øp=51.7 - Øe=56 - Øf=24/ Pulley	1	680007
3	Perno slitta motore vasca / Bowl motor plate pin	1	686001
4	MOTORE 090 - 6 POLI - kW 0.75 - 50Hz / Bowl motor 090 - 6 POLI - kW 0.75 - 50Hz	1	M23001
5	Cinghia dentata "XPZ" Svil.=1850/ Toothed belt XPZ 1850	2	K19010

**ESPLOSO GRUPPO TRASMISSIONE VASCA/EXPLODED VIEW OF THE BOWL  
TRANSMISSION ASSEMBLY**



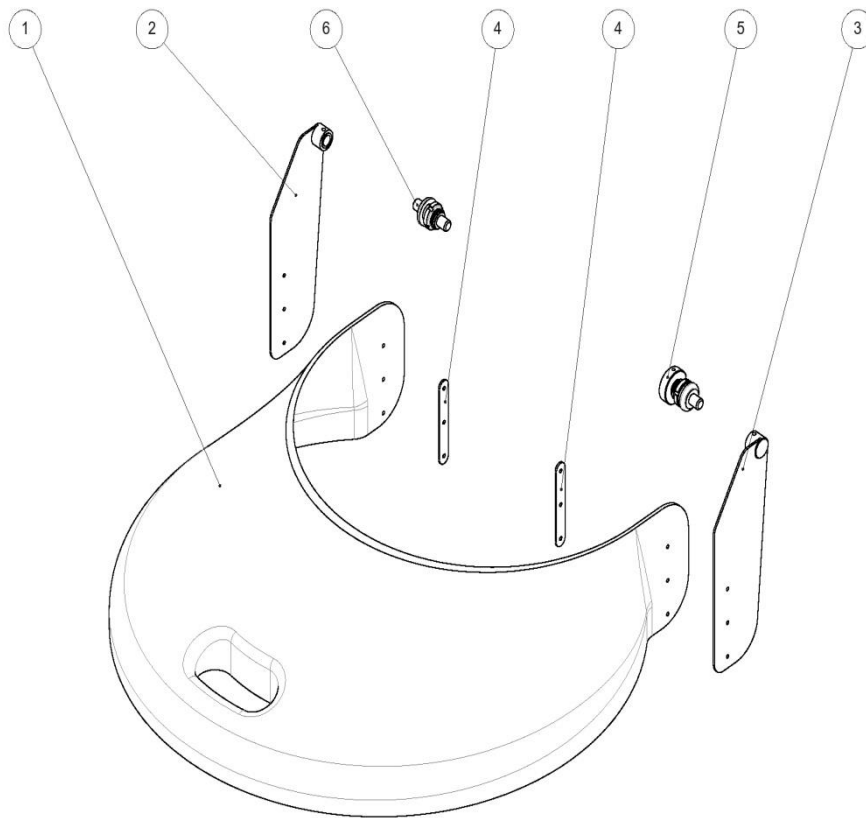
Pos	Description	Q.ty	Part no.
1	Supporto fusione/ Bowl transmission support	1	714004
2	Cuscinetto radiale a sfere 6208-2RS1/ Bearing 6208-2RS1	2	K10005
3	Albero rinvio vasca/ Bowl transmission shaft	1	600007
4	Puleggia "SPZ" - 7 gole - Øp=61.7 - Øe=65 - Øf=35/ Pulley SPZ 7 Øp=61.7 - Øe=65 - Øf=35	1	680006
5	Rondella Øi=15, Øe=60, Sp.=8/ Washer Øi=15, Øe=60, Sp.=8	1	712003
6	Vite T.E. M20x170 UNI 5737/ Screw M20x170 UNI 5737	1	B00001
7	Calettatore Øf=35, Øe= 60/ Locking collar Øf=35, Øe= 60	1	K40002
8	Anello "Seeger" E40 UNI 7435/Sealing ring E40 UNI 7435	1	B23001
9	Calettatore Øf=38, Øe=65/ Locking collar Øf=38, Øe=65	1	K40004
10	Puleggia "SPZ" - 2 gole - Øp=480 - Øe=485 - Øf=38/ Pulley SPZ 2 Øp=480 - Øe=485 - Øf=38	1	680013
11	Linguetta 10x8 L=50 UNI 6604/ Key 10x8 L=50 UNI 6604	1	B24005

**ESPLOSO GRUPPO REGGISPINTA VASCA/ EXPLODED VIEW OF THE BOWL  
THRUST ROLLER ASSEMBLY**



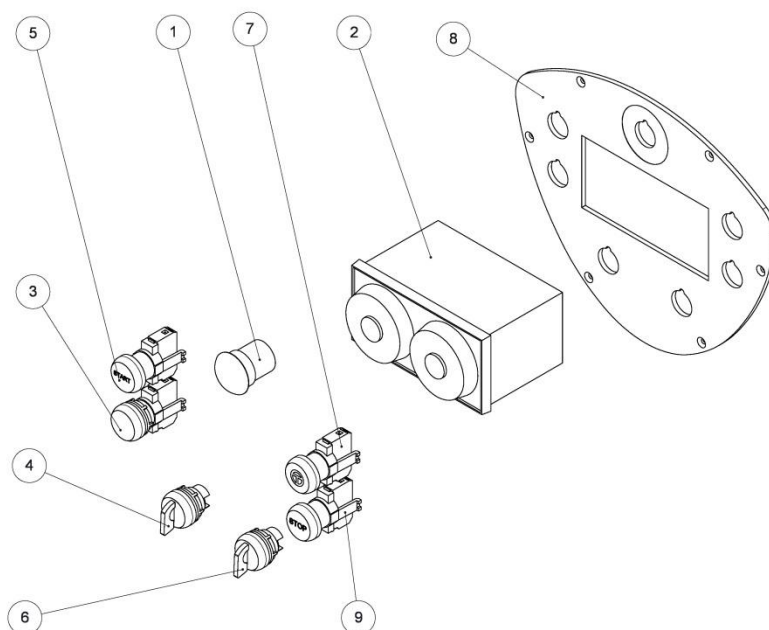
Pos	Description	Q.ty	Part no.
1	Supporto reggispinta V 160/200 Thrust roller support V 160/200	1	714008_D
2	Blocco reggispinta V 160/200 Thrust roller block V 160/200	1	613037
3	Dado esagonale M8 Hexagonal nut M8	2	B17002
4	Rondella M8 Washer M8	4	B45005
5	Vite M8x80 UNI5739 Screw M8x80 UNI5739	2	B00020

**ESPLOSO GRUPPO RIPARO MOBILE: ABS O TRASPARENTE/ EXPLODED VIEW OF THE MOBILE BOWL COVER: ABS OR TRANSPARENT MOBILE BOWL COVER**



<b>Pos</b>	<b>Description</b>	<b>Q.ty</b>	<b>Part no.</b>
1	Riparo mobile in ABS per modello 160 kg/ ABS mobile bowl cover for 160 kg model	1	702008
1	Riparo mobile in ABS per modello 200 kg/ ABS mobile bowl cover for 200 kg model	1	702009
1	Riparo mobile trasparente per modello 160 kg/ Transparent mobile bowl cover for 160 kg model	1	702014
1	Riparo mobile trasparente per modello 200 kg/ Transparent mobile bowl cover for 200 kg model	1	702015
2	Supporto SX riparo ABS per modello 160 kg/ Left ABS mobile bow cover support for 160 kg model	1	714020
2	Supporto SX riparo ABS per modello 200 kg/ Left ABS mobile bow cover support for 200 kg model	1	714022
3	Supporto DX riparo ABS per modello 160 kg/ Left ABS mobile bow cover support for 160 kg model	1	714019
3	Supporto DX riparo ABS per modello 200 kg/ Left ABS mobile bow cover support for 200 kg model	1	714021
4	Piatto di rinforzo riparo ABS/Reinforcement plate for ABS mobile bowl cover	2	688020
5	Assieme snodo DX / Right joint assembly	1	525001
6	Assieme snodo SX / Left joint assembly	1	525002

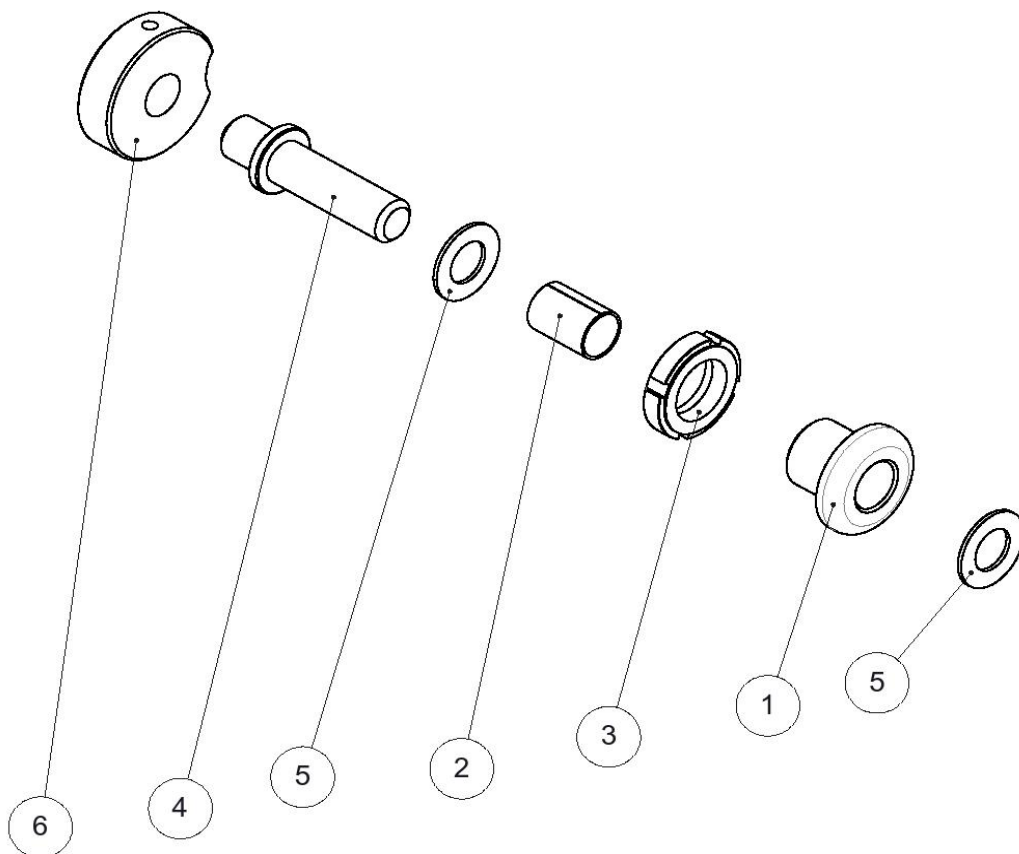
**ESPLOSO GRUPPO PANNELLO COMANDI/ EXPLODED VIEW OF THE CONTROL  
PANEL**



<b>Posizione Position</b>	<b>Descrizione Description</b>	<b>Qtà Qty</b>	<b>Codice Code</b>
1	Pulsante di emergenza Emergency push-button	1	E56001
2	Timer 72x144 Electro-mechanical timer SITEC 72x144	1	E50005
3	Spia luminosa Power ON light	1	E61001
4	Selettore bypass Bypass selector	1	E59001
5	Pulsante START START push-button	1	E60001
6	Selettore rotazione vasca Bowl rotation selector	1	E59002
7	Pulsante impulsi vasca Bowl jog push-button	1	E60002
8	Sinottico Front control panel	1	740022
9	Pulsante STOP STOP push-button	1	E60005

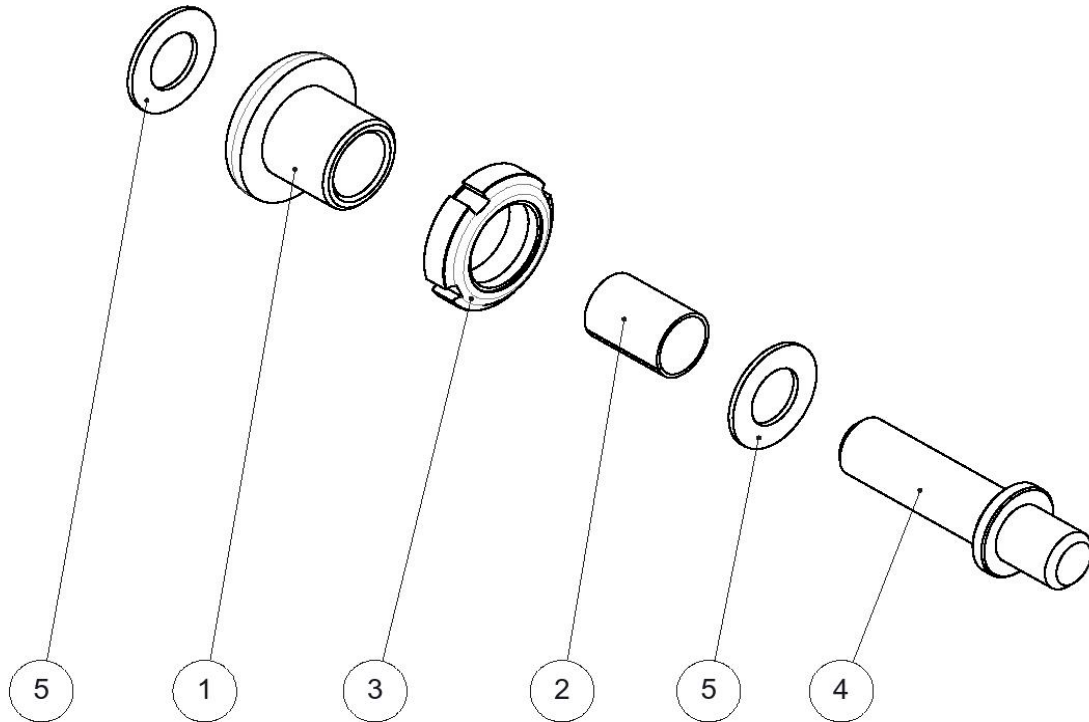


**ESPLOSO GRUPPO PERNO DESTRO RIPARO MOBILE/ EXPLODED VIEW FOR  
RIGHT MOBILE BOWL COVER JOINT ASSEMBLY**



Pos	Description	Q.ty	Part no.
1	Bussola filettata per testa/ Threaded bush	1	616004
2	Boccola DU 16/18x25/ Bush DU 16/18x25	1	K13001
3	Ghiera autoblocc. GUK M25x1.5/ Self-locking nut GUK M25x1.5	1	V28001
4	Perno per riparo mobile/ Mobile bowl cover pin	1	686005
5	Ralla Ø16 sp.=1.5/ Fifth wheel Ø16 sp.=1.5	2	K14001
6	Camma micro Ø50/ Cam Ø50	1	631001

**ESPLOSO GRUPPO PERNO SINISTRO RIPARO MOBILE / EXPLODED VIEW FOR  
LEFT MOBILE BOWL COVER JOINT ASSEMBLY**



Pos	Description	Q.ty	Part no.
1	Bussola filettata per testa/ Threaded bush	1	616004
2	Boccola DU 16/18x25/Bush DU 16/18x25	1	K13001
3	Ghiera autoblocc. GUK M25x1.57 Self-locking nut GUK M25x1.57	1	V28001
4	Perno per riparo mobile/ Mobile bowl cover pin	1	686005
5	Ralla Ø16 sp.=1.5/ Fifth wheel Ø16	2	K14001