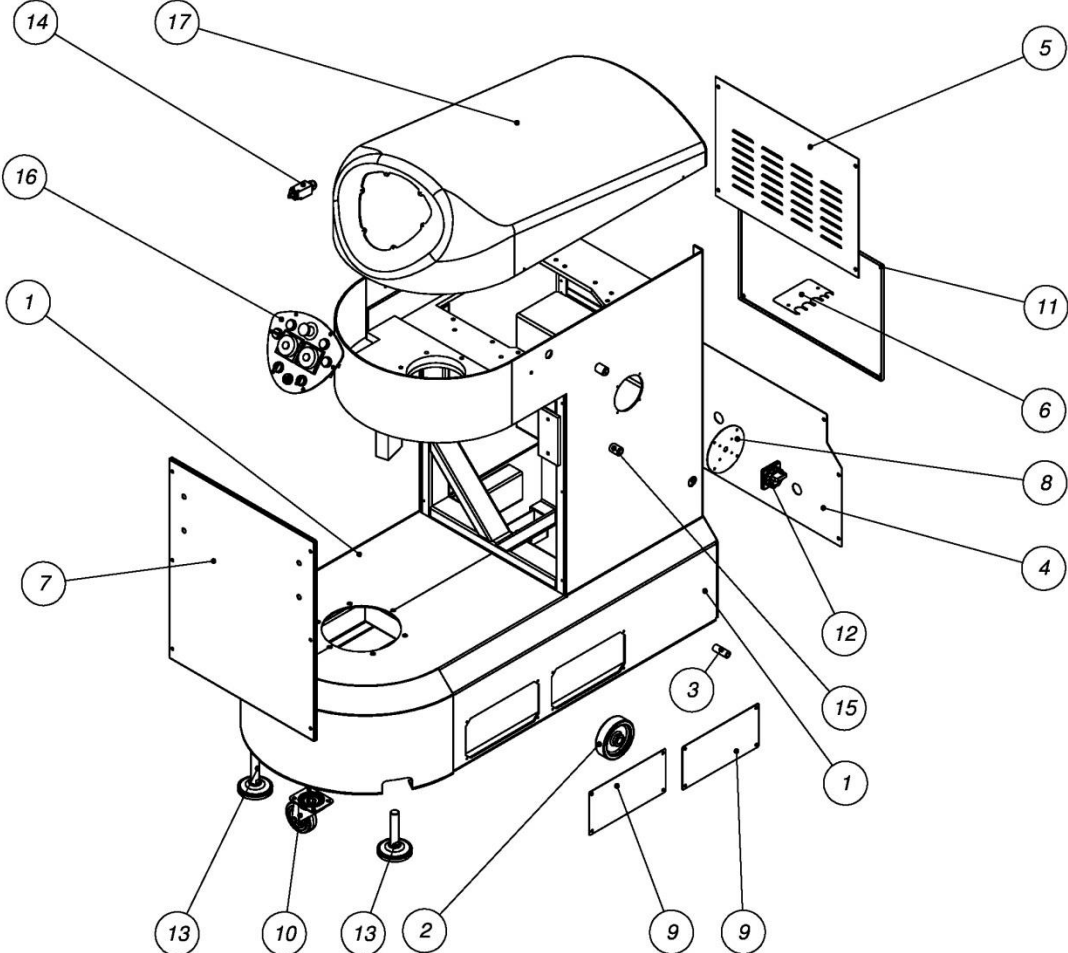


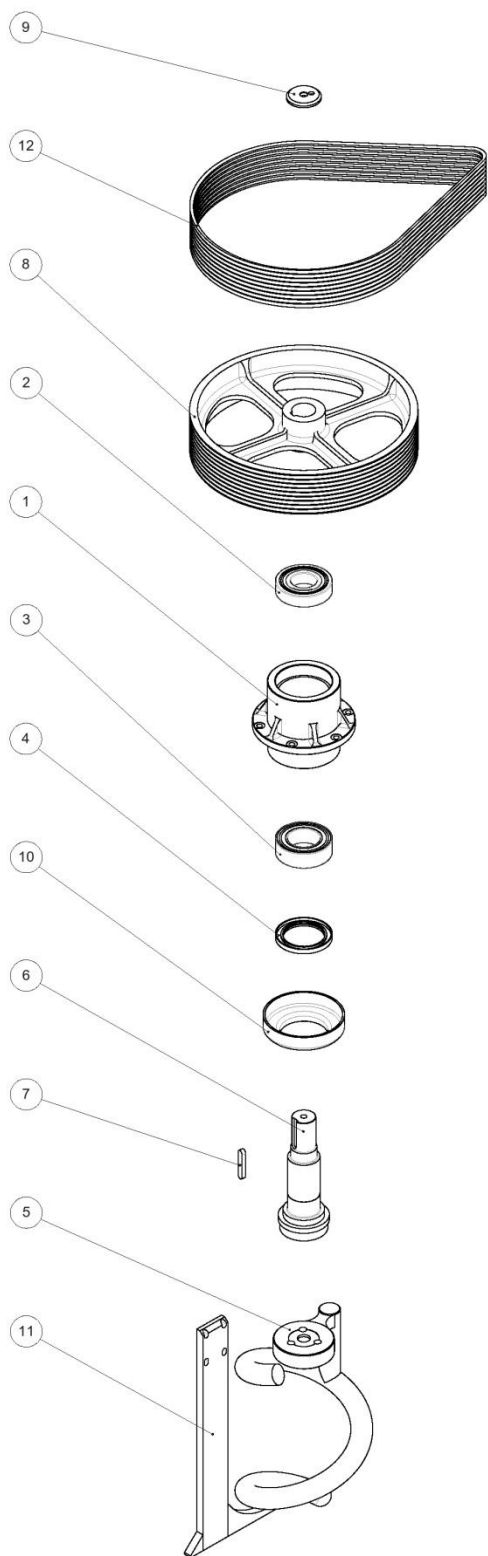
**APPENDIX 5: ESPLOSO V 250AII V 50 Hz/ EXPLODED VIEW OF V 250 MIXER AND PARTS LIST AII V 50 Hz**

**ESPLOSO STRUTTURA MACCHINA/ EXPLODED VIEW OF MACHINE STRUCTURE**



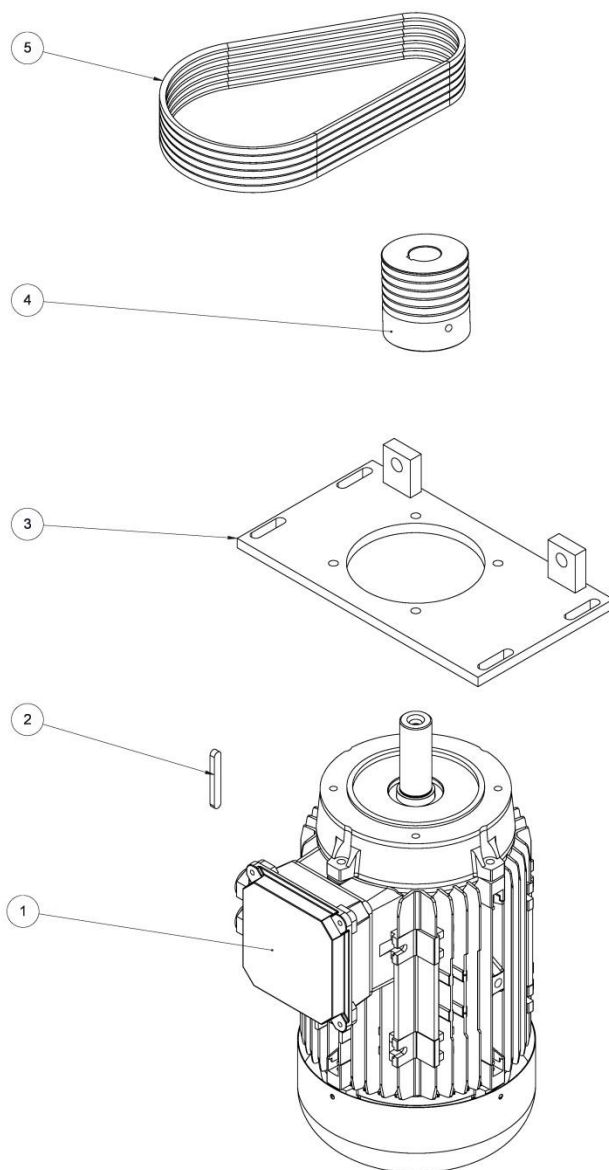
<b>Pos.</b>	<b>Description</b>	<b>Q.ty</b>	<b>Part no.</b>
1	Scocca V 250/ Body V 250	1	501027
2	Ruote nylon $\varnothing=125$ $\varnothing F=12$ , SP.=35/nylon wheel $\varnothing=100$ $\varnothing F=12$ , SP.=35	2	698002
3	Distanziale per ruote in nylon/Spacer for nylon wheel	2	643002
4	Lamiera chiusura posteriore bassa/Lower rear closing plate	1	659011
5	Lamiera chiusura posteriore/Upper rear closing plate	1	659025
6	Piastra fermacavi/Cables-holder plate	1	691005
7	Carter anteriore/Front casing	1	700002
8	Piastra interruttore generale/Main switch plate	1	691004
9	Chiusura laterale/Side closing casing	2	700005
10	Ruota girevole $\varnothing=100$ H=128/Revolving wheel $\varnothing=100$ H=128	1	K17001
11	Carter posterior bombato/Lower casing	1	700011
12	Interruttore generale/Main switch	1	E34001
13	Piedino M24 in Aisi 304/Stainless steel foot	2	P01003
14	Microinterruttore/Microswitch	1	E48001
15	Eccentrico in plastica/ Stailless steel eccentric	4	616009
16	Assieme sinottico/ Control panel assembly	1	524002
17	Coperchio testa/Head cover	1	625002

**ESPLOSO GRUPPO SPIRALE/ EXPLODED VIEW OF SPIRAL TOOL ASSEMBLY**



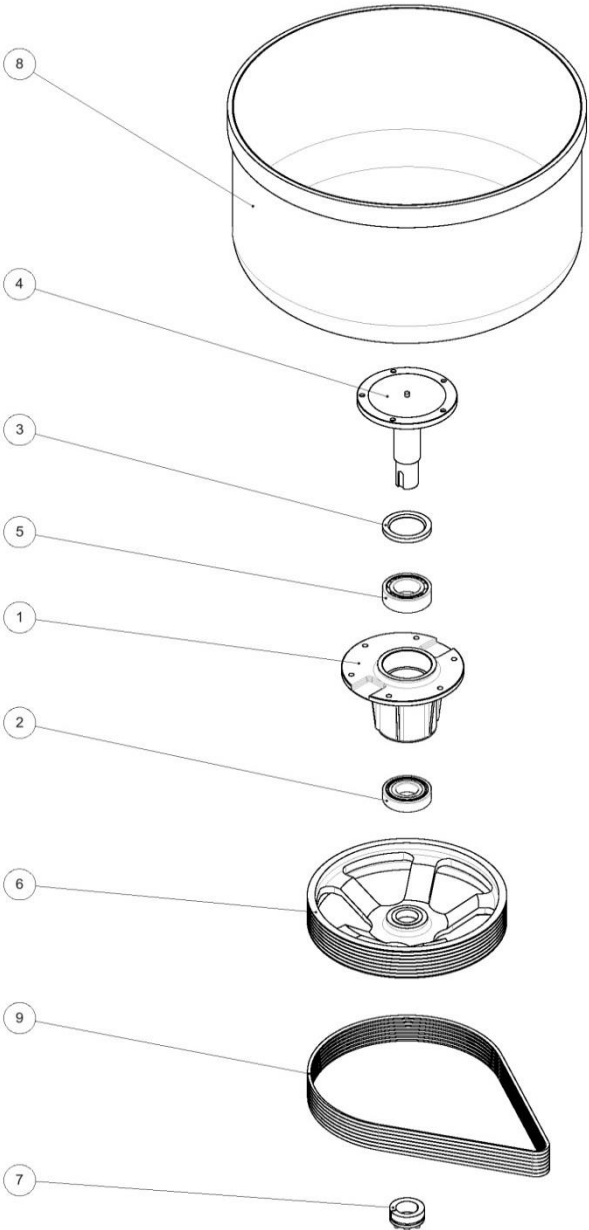
Pos	Description	Q.ty	Part no.
1	Supporto albero spirale/ Spiral tool shaft support	1	714012
2	Cusci. radiale a sfere 6312-2RS1/ Bearing 6312-2RS1	1	K10013
3	Cuscin. obliquo a sfere 3215 A - 2Z / Bearing 3215 A	1	K10012
4	Anello MIM (130x95x12)/ Sealing ring type MIM (130x95x12)	1	A02005
5	Spirale/ Spiral tool	1	720002
6	Albero spirale/ Spiral tool shaft	1	600008
7	Linguetta 16x10 L=80 UNI 6604/ Key L=80 UNI 6604	1	B24006
8	Puleggia "SPZ" - 09 gole - Øp=517- Øe=522 - Øf=55/ Pulley SPZ 9 Øp=517- Øe=522 - Øf=55	1	680015
9	Rondella Ø80/ Washer Ø80	1	712005
10	Coppetta albero spirale/ Spiral tool shaft cup	1	635003
11	Piantone/ Breaking column	1	675016
12	Cinghia dentata "XPZ" Svil.=1987/ Toothed belt XPZ 1987	9	K19013

**ESPLOSO GRUPPO MOTORE SPIRALE/ EXPLODED VIEW OF THE SPIRAL TOOL  
MOTOR ASSEMBLY**



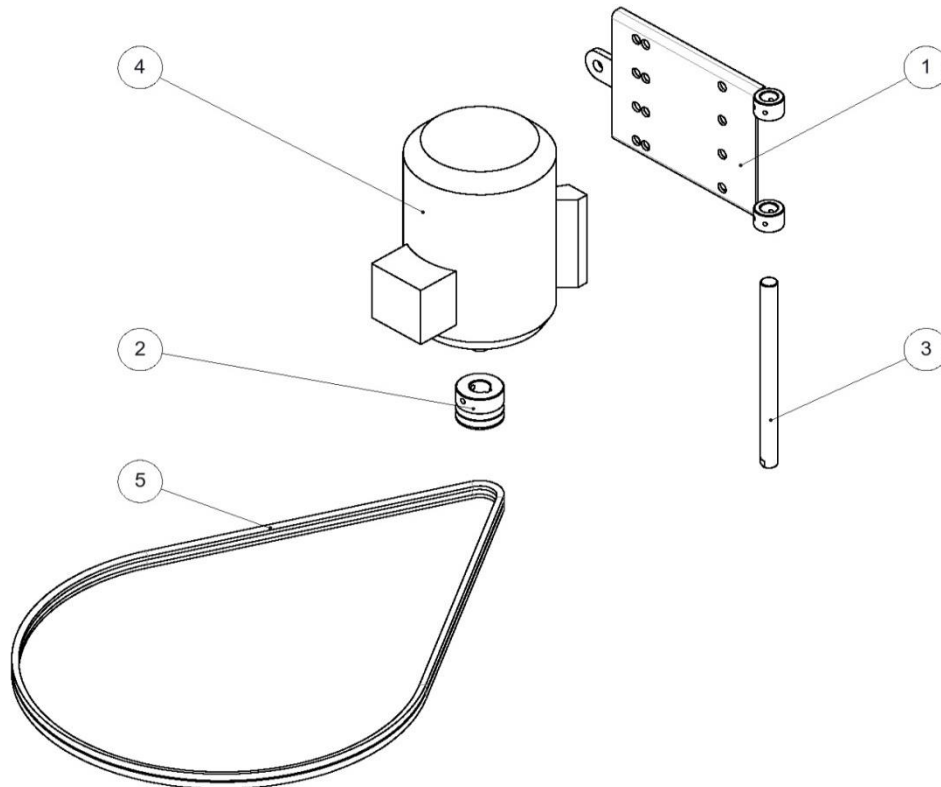
Pos.	Description	Q.ty	Part no.
1	Motore 160 - 4/8 Poli - B14 KW 12/6- 50 Hz - 400 V/ Spirale motor 160 - 4/8 Poli - B14 - KW 12/6 50 Hz - 400 V	1	M66009
2	Linguetta 12x8 L=90 UNI 6604/ Key 12x8	1	B24003
3	Slitta motore/Motor slide	1	730007
4	Puleggia "SPZ" - 6 GOLE - Øp= 110 - Øe= 114/ Pulley "SPZ" - 6 GOLE - Øp= 110 - Øe= 114	1	680044
5	Cinghia dentata XPZ 1077/Toothed belt XPZ 1077	6	K19014

**ESPLOSO GRUPPO VASCA/ EXPLODED VIEW OF THE BOWL ASSEMBLY**



Pos	Description	Q.ty	Part no.
1	Supporto albero vasca/ Bowl shaft support	1	714007
2	Cuscinetto radiale a sfere 6311-2RS / Bearing 6311-2RS	1	K10007
3	Anello MIM 6090 (85-120-12)/ Sealing ring MIM 6090 (85-120-12)	1	A02003
4	Albero vasca / Bowl shaft	1	600003
5	Cuscinetto obliquo a sfere 3213/ Bearing 3213	1	K10004
6	Puleggia "SPZ" - 7 gole - Øp=483 - Øe=488 - Øf=55/ Pulley SPZ 7 Øp=483 - Øe=488 - Øf=55	1	680005
7	Calettatore Øf=55, Øe=85/ Locking collar Øf=55, Øe=85	1	K40003
8	Vasca 250 Kg./ 250 kg bowl	1	760028
9	Cinghia dentata "XPZ" Svil.=1987 per VIS 250/ Toothed belt XPZ 1987 for VIS 250	7	K19013

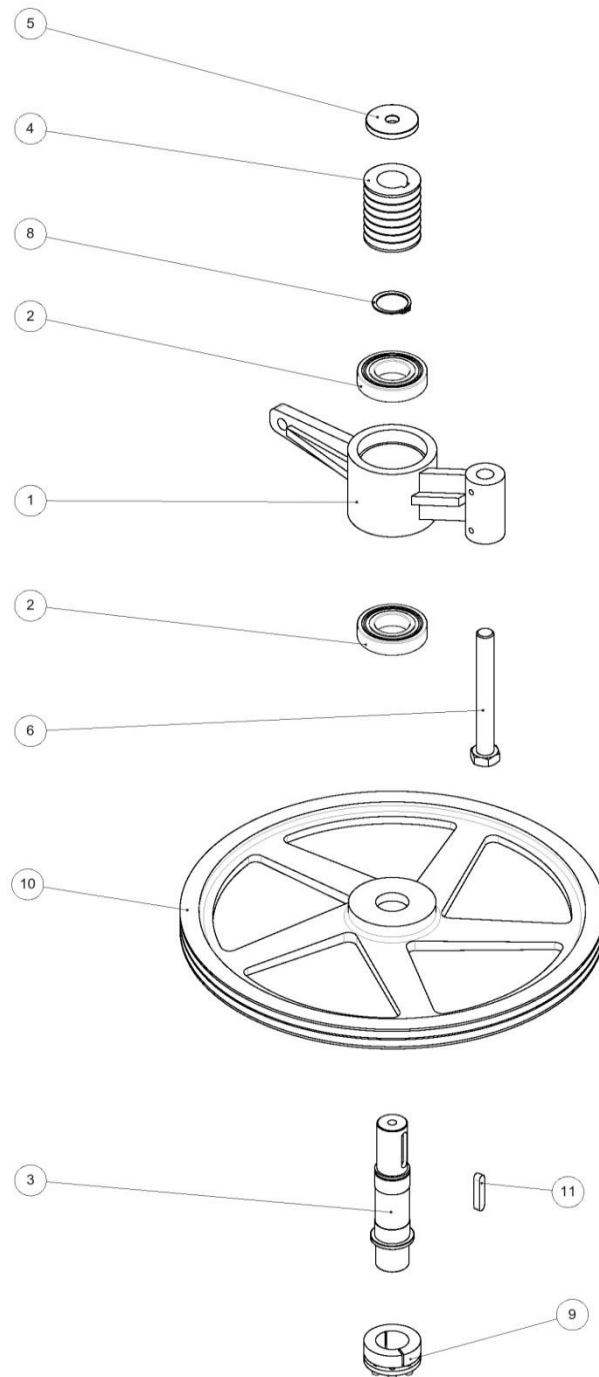
**ESPLOSO GRUPPO MOTORE VASCA/ EXPLODED VIEW OF THE BOWL MOTOR ASSEMBLY**



Pos	Description	Q.ty	Part no.
1	Slitta motore vasca / Bowl motor plate	1	730002
2	Puleggia "SPZ" - 2 gole - Øp=51.7 - Øe=56 - Øf=24/ Pulley	1	680007
3	Perno slitta motore vasca / Bowl motor plate pin	1	686001
4	MOTORE grandezza 90 6 POLI B3 kw 1,1 EUROTENSIONE/ Bowl motor 090 - 6 POLI - kW 1,1	1	M23008
5	Cinghia dentata "XPZ" Svil.=1850/ Toothed belt XPZ 1850	2	K19010

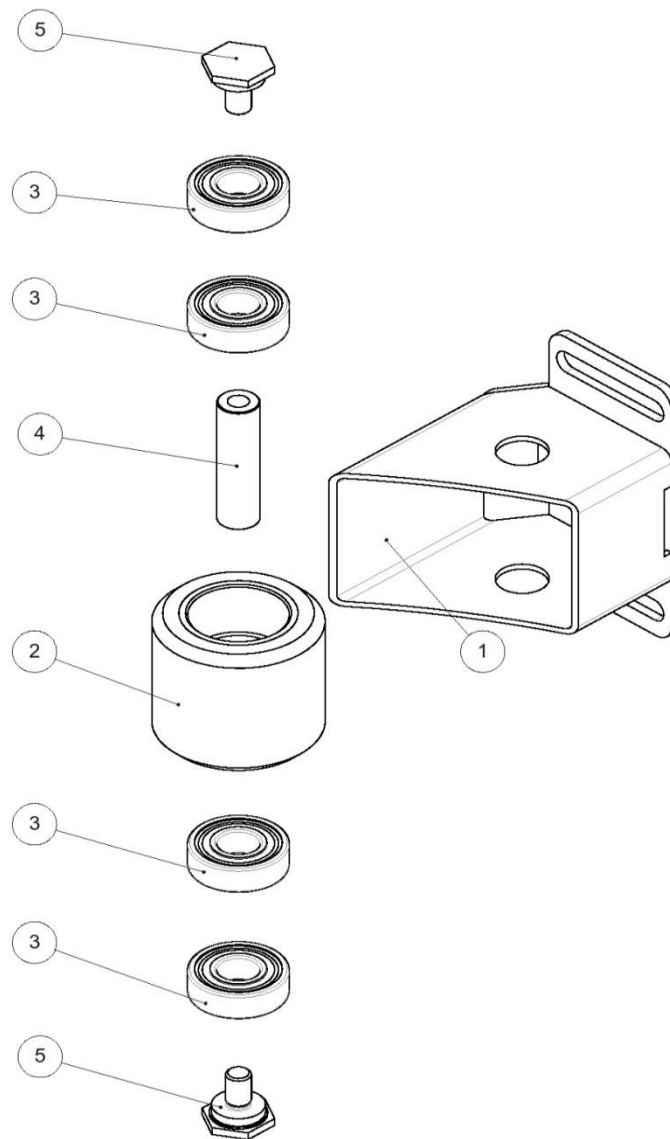


**ESPLOSO GRUPPO TRASMISSIONE VASCA/EXPLODED VIEW OF THE BOWL  
TRANSMISSION ASSEMBLY**



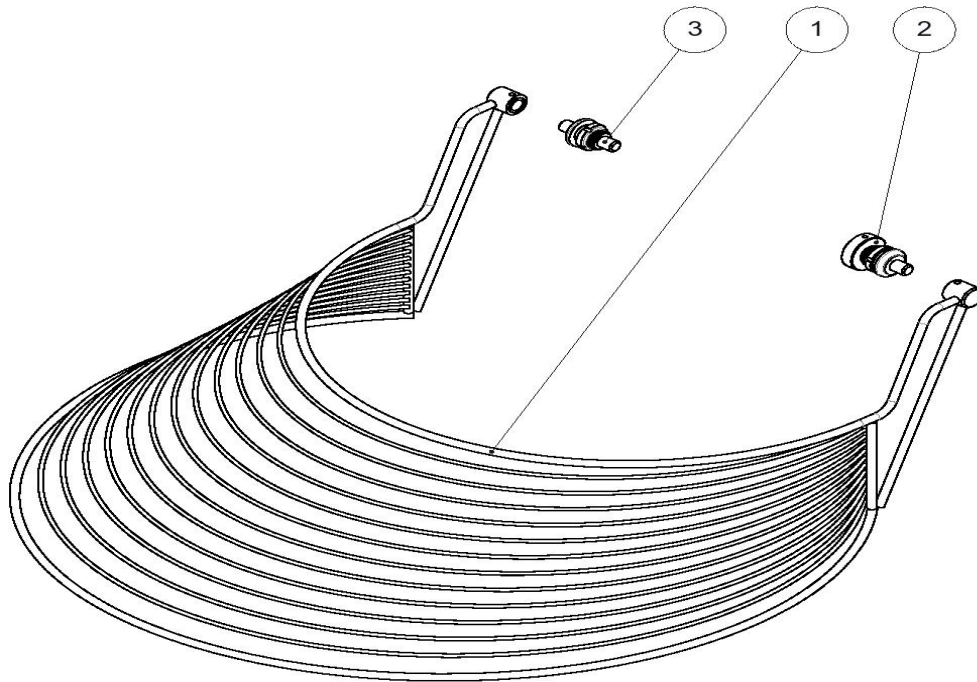
Pos	Description	Q.ty	Part no.
1	Supporto fusione/ Bowl transmission support	1	714004
2	Cuscinetto radiale a sfere 6208-2RS1/ Bearing 6208-2RS1	2	K10005
3	Albero rinvio vasca/ Bowl transmission shaft	1	600007
4	Puleggia "SPZ" - 7 gole - Øp=61.7 - Øe=65 - Øf=35/ Pulley SPZ 7 Øp=61.7 - Øe=65 - Øf=35	1	680006
5	Rondella Øi=15, Øe=60, Sp.=8/ Washer Øi=15, Øe=60, Sp.=8	1	712003
6	Vite T.E. M20x170 UNI 5737/ Screw M20x170 UNI 5737	1	B00001
7	Calettatore Øf=35, Øe= 60/ Locking collar Øf=35, Øe= 60	1	K40002
8	Anello "Seeger" E40 UNI 7435/Sealing ring E40 UNI 7435	1	B23001
9	Calettatore Øf=38, Øe=65/ Locking collar Øf=38, Øe=65	1	K40004
10	Puleggia "SPZ" - 2 gole - Øp=480 - Øe=485 - Øf=38/ Pulley SPZ 2 Øp=480 - Øe=485 - Øf=38	1	680013
11	Linguetta 10x8 L=50 UNI 6604/ Key 10x8 L=50 UNI 6604	1	B24005

**ESPLOSO GRUPPO REGGISPINTA VASCA/ EXPLODED VIEW OF THE BOWL  
THRUST ROLLER ASSEMBLY**



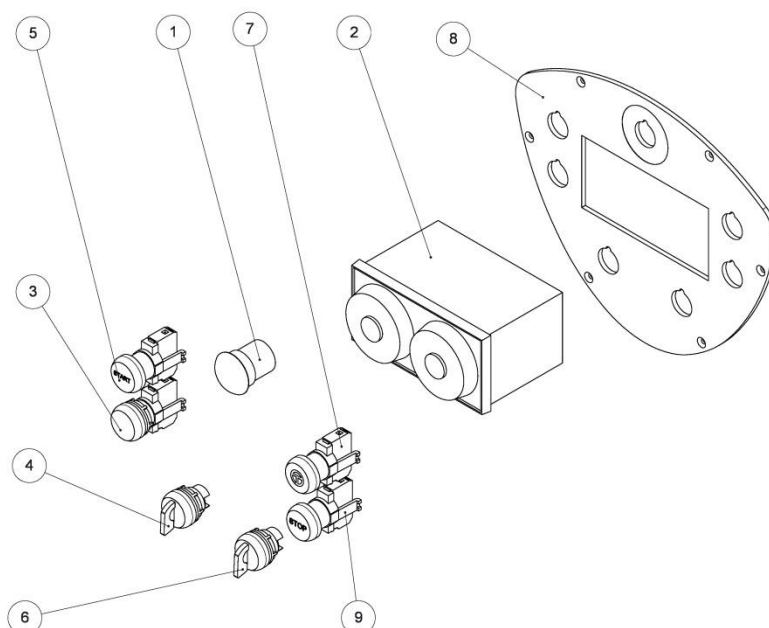
Pos	Description	Q.ty	Part no.
1	Supporto reggispinta/ Thrust roller support	1	714008
2	Ruota Øe=80/ Wheel Øe=80	1	698003
3	Cuscinetto radiale a sfere 6204-2RS/ Bearing 6204-2RS	4	K10009
4	Perno rullo reggispinta/ Thrust roller pin	1	686006
5	Perno esagono per rullo reggispinta/ Thrust roller hexagonal pin	2	686002

**ESPLOSO GRUPPO RIPARO MOBILE: GRIGLIA INOX/ EXPLODED VIEW OF THE MOBILE BOWL COVER: STAINLESS STEEL GRID**



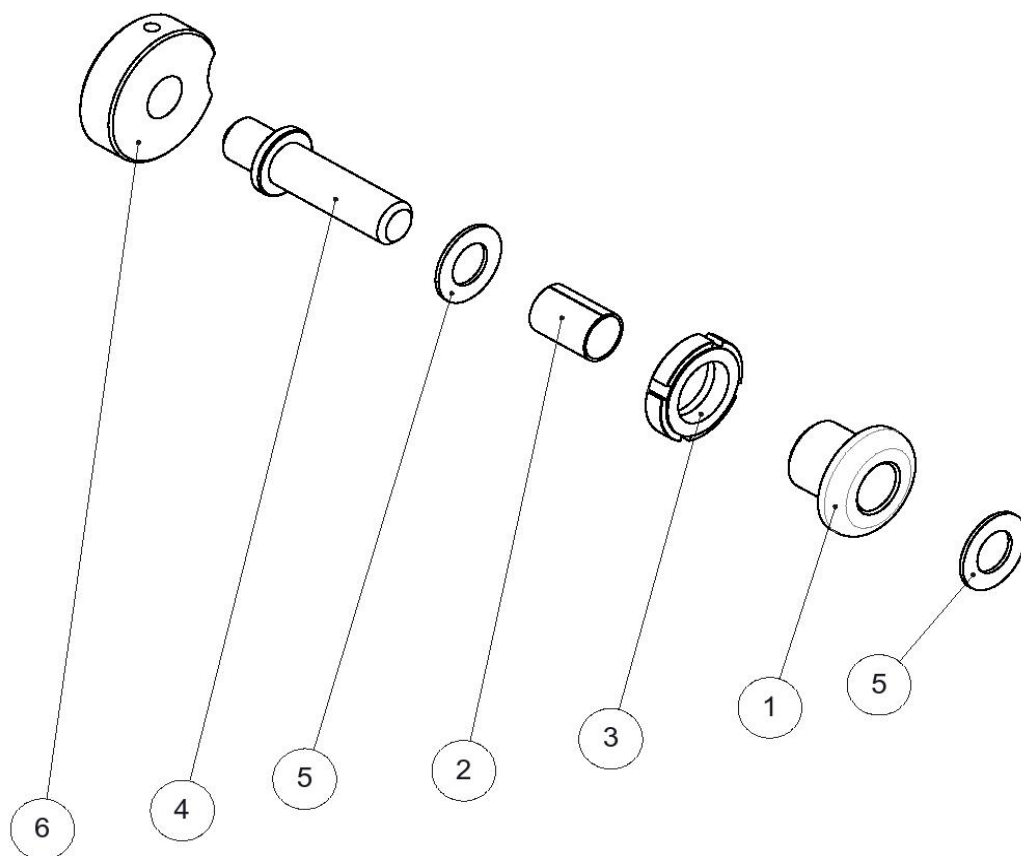
Pos	Description	Q.ty	Part no.
1	Griglia riparo mobile per modello 250 kg/ Stainless steel grid for 250 kg model	1	702039
2	Assieme snodo DX/ Right joint assembly	1	525001
3	Assieme snodo SX/ Left joint assembly	1	525002

**ESPLOSO GRUPPO PANNELLO COMANDI/ EXPLODED VIEW OF THE CONTROL  
PANEL**



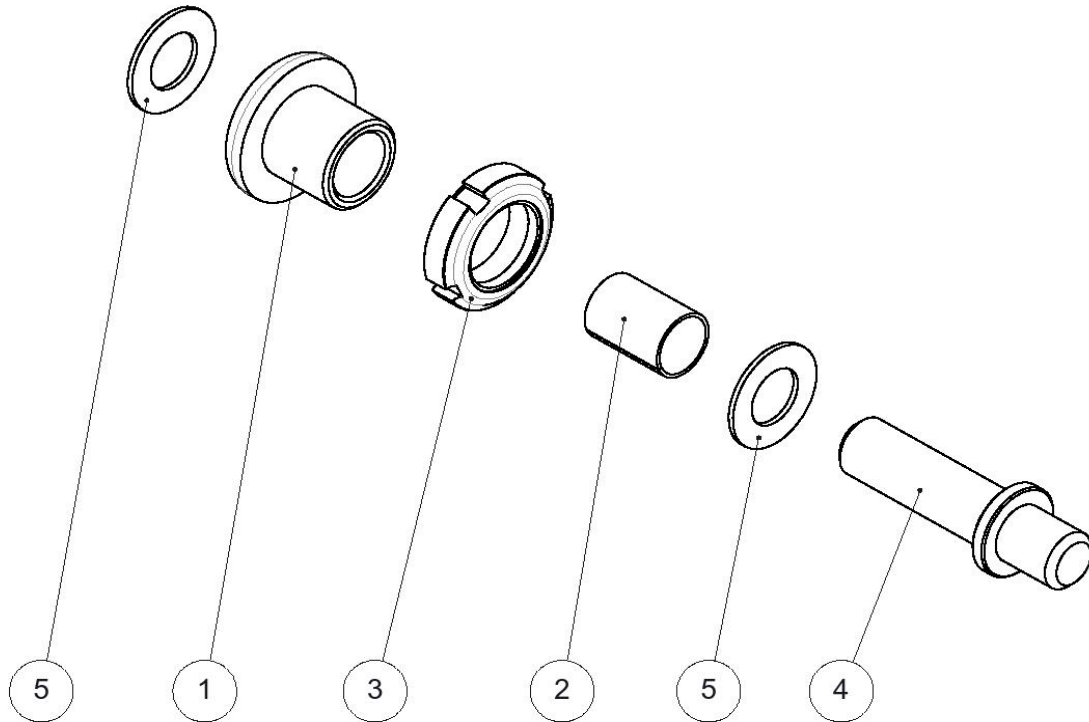
<b>Posizione Position</b>	<b>Descrizione Description</b>	<b>Qtà Qty</b>	<b>Codice Code</b>
1	Pulsante di emergenza Emergency push-button	1	E56001
2	Timer 72x144 Electro-mechanical timer SITEC 72x144	1	E50005
3	Spia luminosa Power ON light	1	E61001
4	Selettore bypass Bypass selector	1	E59001
5	Pulsante START START push-button	1	E60001
6	Selettore rotazione vasca Bowl rotation selector	1	E59002
7	Pulsante impulsi vasca Bowl jog push-button	1	E60002
8	Sinottico Front control panel	1	740022
9	Pulsante STOP STOP push-button	1	E60005

**ESPLOSO GRUPPO PERNO DESTRO RIPARO MOBILE/ EXPLODED VIEW FOR  
RIGHT MOBILE BOWL COVER JOINT ASSEMBLY**



Pos	Description	Q.ty	Part no.
1	Bussola filettata per testa/ Threaded bush	1	616004
2	Boccola DU 16/18x25/ Bush DU 16/18x25	1	K13001
3	Ghiera autoblocc. GUK M25x1.5/ Self-locking nut GUK M25x1.5	1	B28004
4	Perno per riparo mobile/ Mobile bowl cover pin	1	686005
5	Ralla Ø16 sp.=1.5/ Fifth wheel Ø16 sp.=1.5	2	K14001
6	Camma micro Ø50/ Cam Ø50	1	631001

**ESPLOSO GRUPPO PERNO SINISTRO RIPARO MOBILE / EXPLODED VIEW FOR  
LEFT MOBILE BOWL COVER JOINT ASSEMBLY**



Pos	Description	Q.ty	Part no.
1	Bussola filettata per testa/ Threaded bush	1	616004
2	Boccola DU 16/18x25/Bush DU 16/18x25	1	K13001
3	Ghiera autoblocc. GUK M25x1.57 Self-locking nut GUK M25x1.57	1	B28004
4	Perno per riparo mobile/ Mobile bowl cover pin	1	686005
5	Ralla Ø16 sp.=1.5/ Fifth wheel Ø16	2	K14001