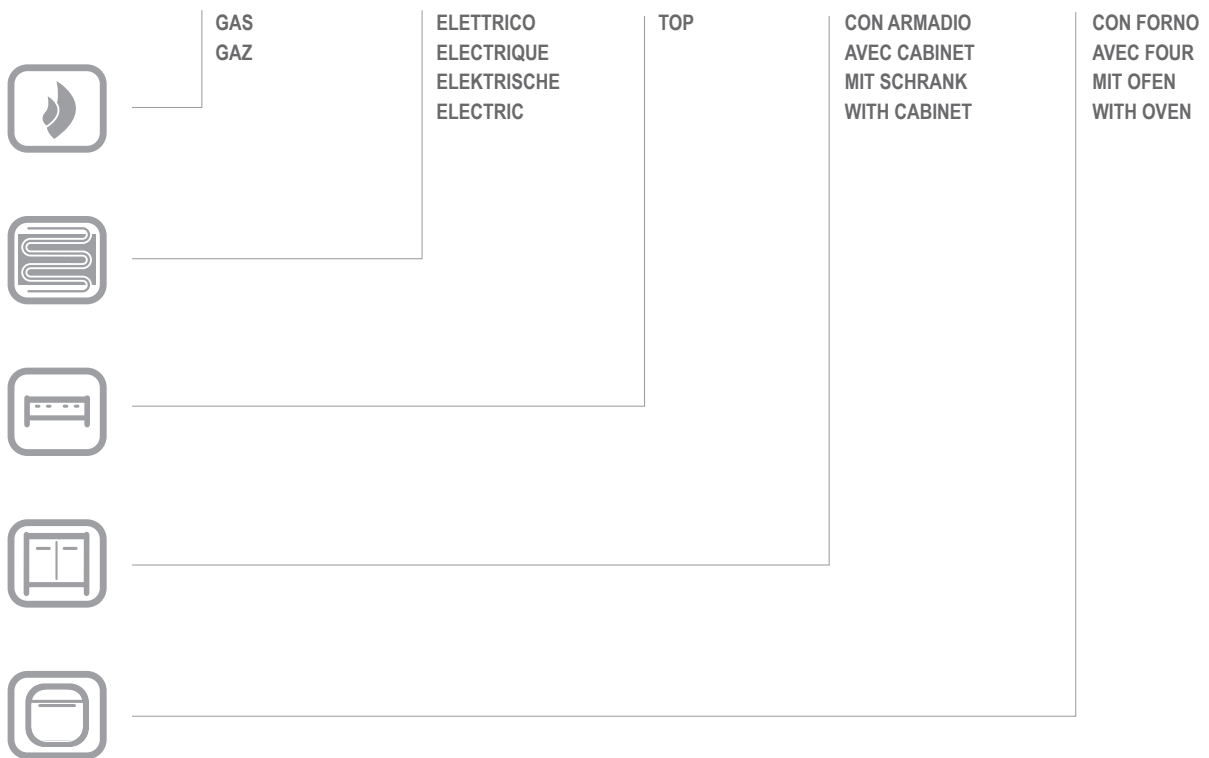




# GFT777 (L-LC-R-LR-LRC)

GFT777

CATALOGO PARTI DI RICAMBIO  
CATALOGUE PIECES DETACHEES  
ERSATZTEILKATALOG  
SPARE PARTS CATALOGUE



**Catalogo parti di ricambio valido  
dalla matricola 0000001 (31.10.2006) ad oggi (24.07.2020)**

**Catalogue pieces detachees  
valable à partir du numero de Série n. 0000001 (31.10.2006) jusqu'à aujourd'hui  
(24.07.2020)**

**Ersatzteilkatalog  
gültig ab Serien-Nr. 0000001 (31.10.2006) bis heute (24.07.2020)**

**Spare parts catalogue  
valid from serial no. 0000001 (31.10.2006) up today (24.07.2020)**

**Catálogo de peças de reposição  
válido do número de série 0000001 (31.10.2006) até hoje (24.07.2020)**

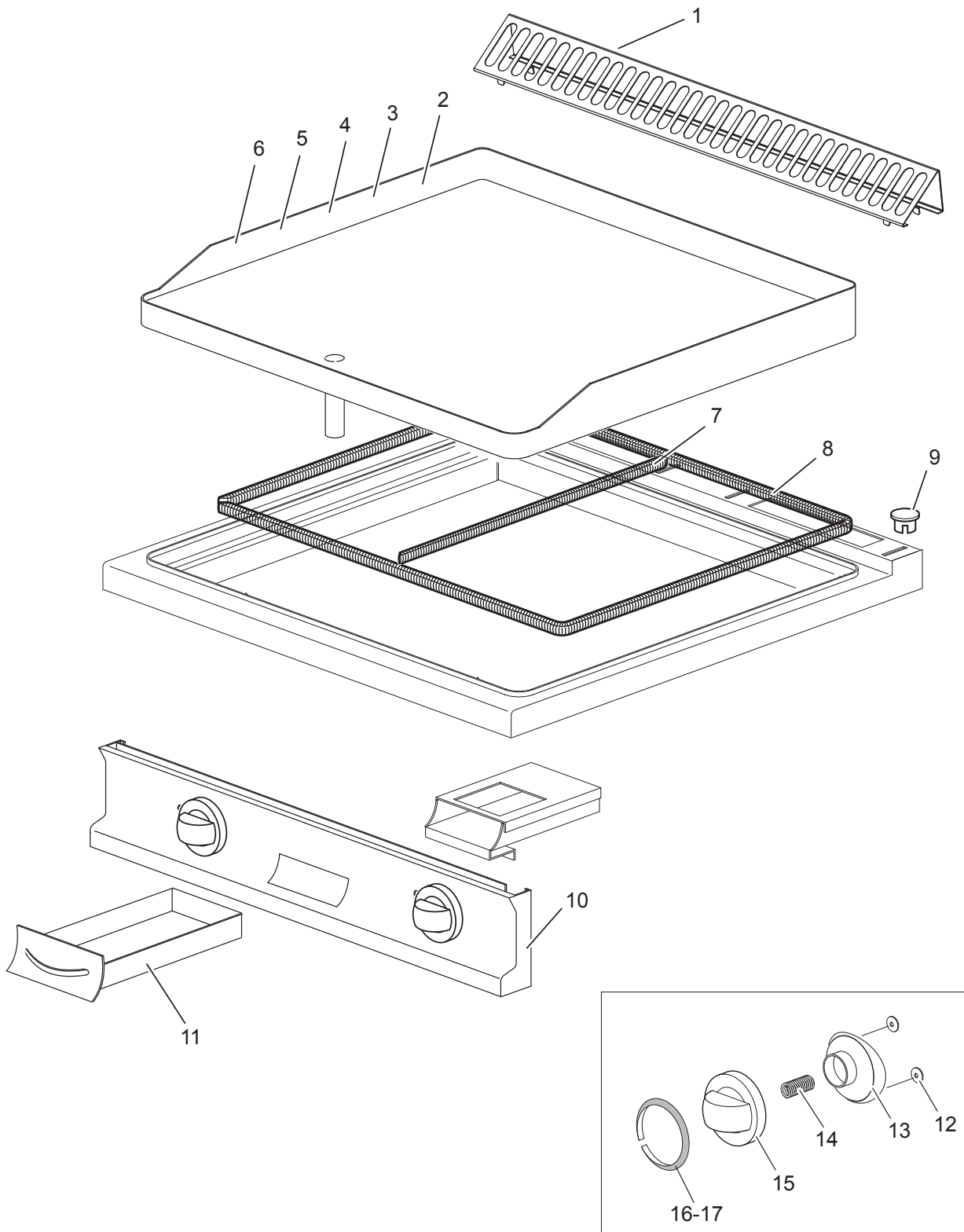
Le informazioni sono considerate non vincolanti. Le immagini rappresentate sono puramente indicative. Il produttore si riserva il diritto di apportare modifiche in qualsiasi momento senza preavviso.

Les informations données ne sont pas contraignantes. Les images montrées sont à titre indicatif. Le producteur se réserve le droit d'apporter des modifications sans préavis.

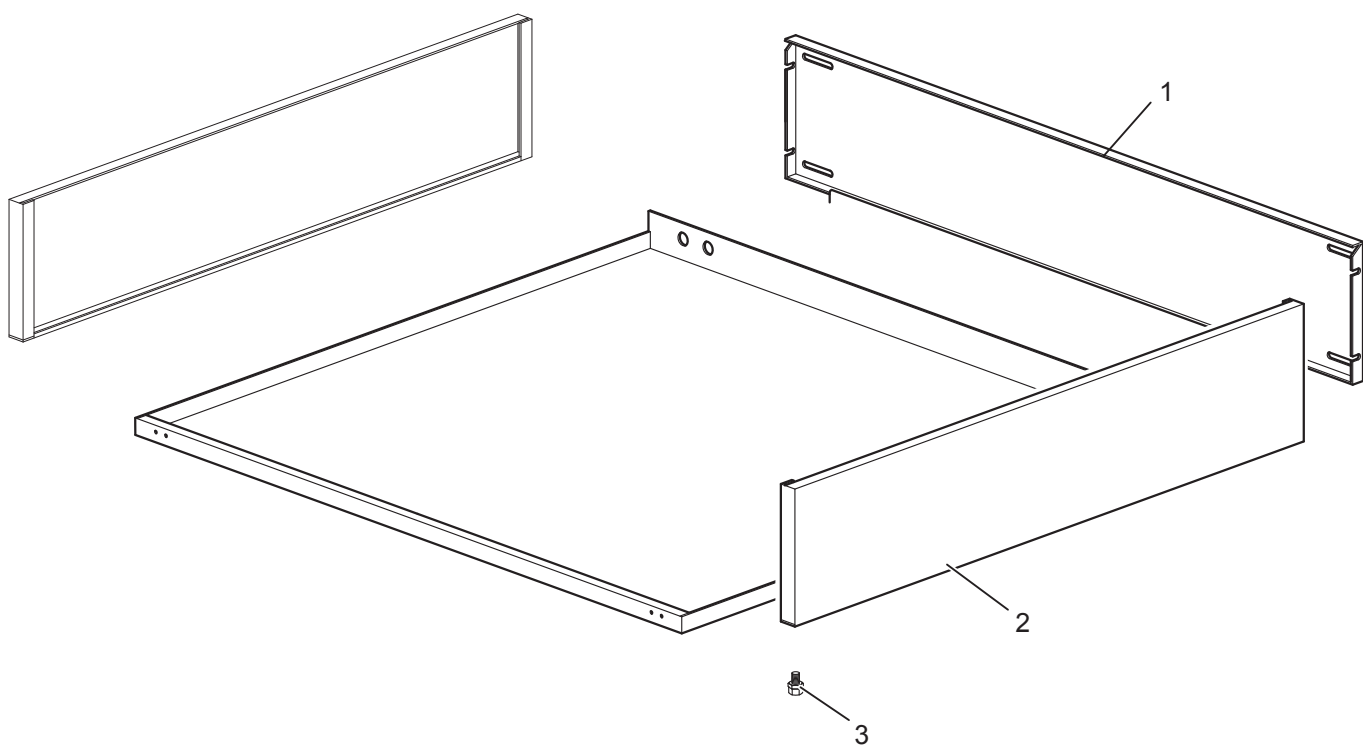
Die im vorliegenden Dokument aufgeführten Informationen und Bilder sind unverbindlich. Der Hersteller behält sich das Recht vor, jederzeit ohne vorherige Ankündigung Änderungen vorzunehmen

Info and drawing could be slightly different from reality and they cannot be considered as compelling. Manufacturer can modify info anytime without forewarning.

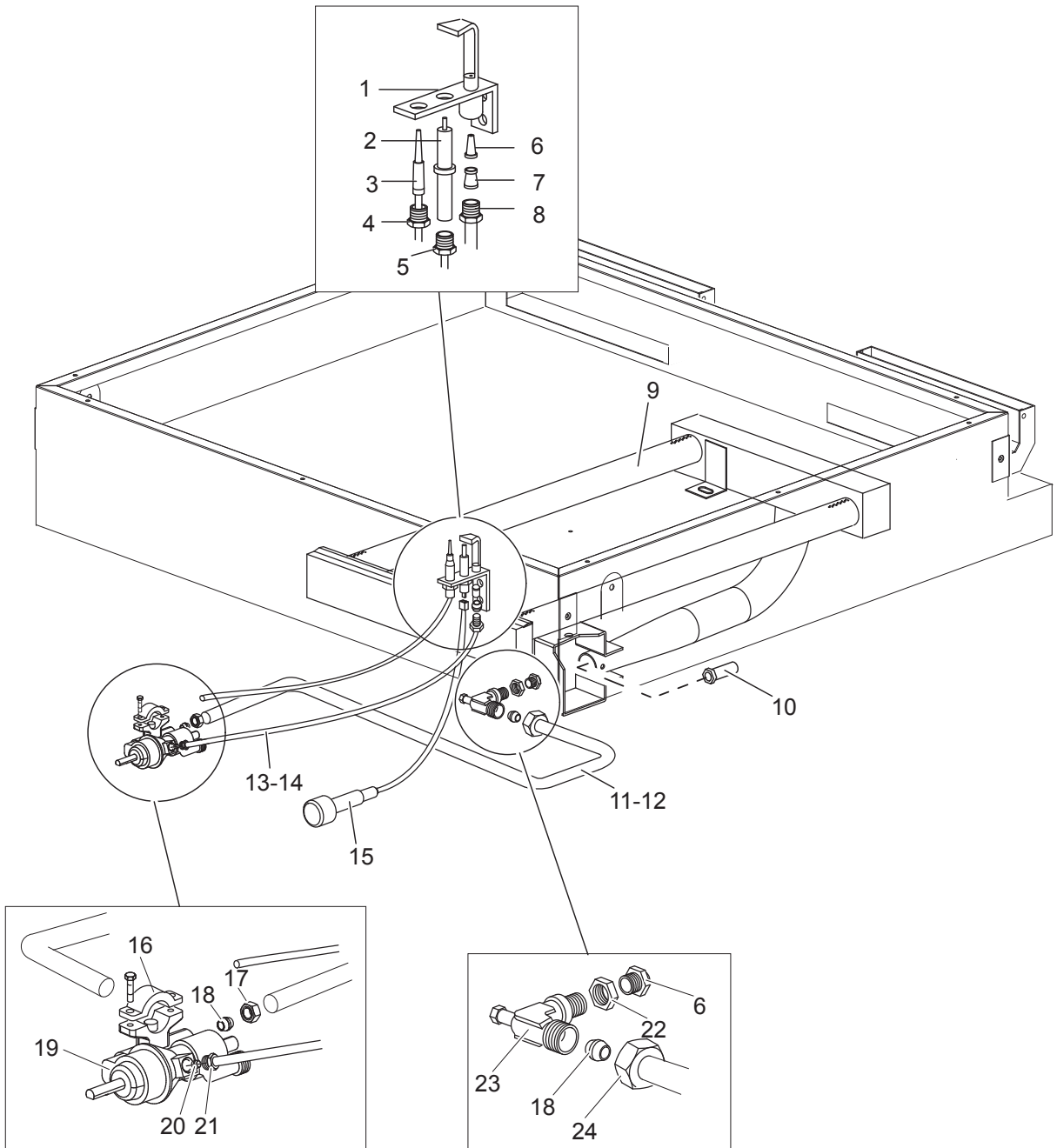
As Informações e desenhos podem estar um pouco diferente da realidade e são puramente indicativas. O fabricante pode modificar estas informações a qualquer momento sem aviso prévio.



<b>Nr.</b>	<b>Code</b>	<b>Title</b>	<b>Recommended</b>
1.	184977	CHIMNEY GRILL	
2.	185795	SMOOTH PLATE	
3.	185796	SMOOTH CHROMED PLATE GFT777LC	
4.	185799	RIBBED PLATE	
5.	185801	SMOOTH RIBBED PLATE	
6.	185802	SMOOTH RIBBED CHROMED PLATE	
7.	163289	INSULATION	
8.	163291	INSULATION	
9.	163603	TOP CONNECTION	
10.	171584	CONTROL PANEL	
11.	RIC0004758	OIL DRAWER COMPLETE	
12.	176318	CLIPS	✓
13.	171439	NUT	✓
15.	171437	BURNER KNOB	✓
16.	174325	THERMOSTAT RING	✓
17.	174323	THERMOSTAT RING	✓



<b>Nr.</b>	<b>Code</b>	<b>Title</b>	<b>Recommended</b>
1.	167061	<i>BACK SIDE</i>	
2.	180405	<i>LATERAL SIDE</i>	
3.	RTCU700324	<i>FOOT</i>	



<b>Nr.</b>	<b>Code</b>	<b>Title</b>	<b>Recommended</b>
1.	RTCP800034	3 WAYS PILOT BURNER	✓
2.	RTCP800033	ROUND SPARK PLUG	✓
3.	RTCU700296	THERMOCOUPLE	✓
4.	RTCP800038	T/COUPLE CONNECTION GC47	✓
5.	RTCU900215	SPARK NUT	✓
6.	INIETTORE	SEE HANDBOOK NOZZLES	
7.	RTCU800183	BICONE D.6	✓
8.	RTCU800182	NUT D.6	✓
9.	RTCU700744	BURNER	
10.	RTCU700584	AIR REGULATOR BURNER	
11.	173405	LEFT FEEDING PIPE FOR BURNER	
12.	173406	RIGHT FEEDING PIPE FOR BURNER	
13.	173407	LEFT BURNER PILOT PIPE	
14.	173408	RIGHT BURNER PILOT PIPE	
15.	RIC0004096	PIEZO IGNITION + LIGHTING CABLE	✓
16.	167184	SAFETY VALVE BRIDLE	✓
17.	RTCU700297	NUT D.10	✓
18.	RTCU900012	BICONE D.10	✓
19.	168005	GAS THERMOSTAT G4SF77	✓
20.	RTCU900018	BICONE D.6	✓
21.	RTCU900019	NUT D.6	✓
22.	RTCU900005	LOCK NUT	
23.	RTCU900337	INJECTOR SUPPORT	
24.	RTCU900013	NUT D.10	