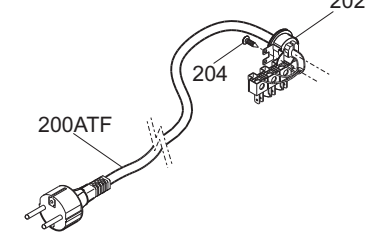
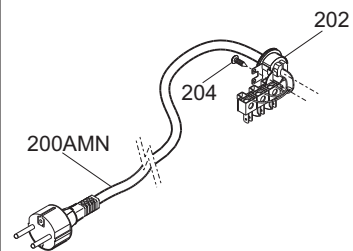


4	PIN 5X30 _ TM2	IV77SCR05X30
5	FUORI PRODUZIONE-OUT OF PRODUCTION	00-OUT
6	MAGNET 6X12 FOR TM	IV5823451
7	PERNO GUIDA PER CHIOCCIOLA TM	IV77P10X22.6
8	WASHER FLAT DIN 125 D.4	IX2125004
9	BLIND NUT M4	IV77DC04
10	PUSHER COMPLETE FOR TM	IV98407400
12	NYLON SPACER FOR VEG. CUTTER TM	IV44R0000
14	S/S LEVER for TM	IV2060000
16	PLUG FOR VEG. CUTTER TM	IV4220000
20	PRESSER FOR TM	IV4010000
22	SCREW POELIER M.04X35	IV77PU4X35
26	CAP NUT DIN 1587 M8	IX21587LC008
28	WASHER DIN 9021 D 8X24	IX29021008024
30	STUD BOLT M 8	IV7600008
32	EJECTOR FOR VEG. PROCESSOR TM	40751DESP
40	SQUARE HOPPER TM2	IV1060000AN
41	FUNGHETTO ALLUMINIO 5 X 10 TM	IV80F05X10
42	CLOSING KNOB FOR TM ALUMINUM	IV4220500
43	VITE TEI 6 X 14	IV77VEI6X14
44	SCREW M6 X 18	IV77VEI06X18
45	SPESS. DISTAN.ACCIAIO 21X18 TM	IV2080040
46	VITE ATTACCO SCIVOLO	IV77SCI05
47	WASHER 06x18	IV77R06X18
49	VITE TEI 6 X 12	IV77VEI6X12
50	S/S CABINET W/ LOUVERS FOR TM	IV2480000
52A	MOTOR 230/50/1 FOR TM	IV5050002
52D	MOTOR 230-400 3PH FOR TM	IV5050001
52C	MOTOR 240/50/1 FOR TM	IV5050004
52B	MOTOR 400/50/3 for TM	IV5050003
54	SCREW	IV76QST08X20
56	WASHER DIN 9021 D 8X24	IX29021008024
58	HEX.NUT DIN 934 M8	IX2934008
60	BASE/FRAME FOR VEG. CUTTER TM	IV1060020N
62	HEX.NUT DIN 934 M8	IX2934008
64	VITE TE DIN 933 M 8X35 T.F.	IX2933008035
66	WASHER 06x18	IV77R06X18
67	HEX.SOCKET HEAD CAP SCREW M6 X 20	IX2912006020
68	VITE TEI 6 X 12	IV77VEI6X12
70	FOOT M8 FOR VEG. CUTTER TM	IV4300010
72	WASHER DIN 9021 D 8X24	IX29021008024
74	VITE M 8 X 16	IV77VEO8X16
78	RONDELLA F.LARGA DIN 9021 D 6X24	IX29021006024
80	LARGE PULLEY, ALUMINUM _ TM	IV1080040
82	BELT J 483 X 8 FOR TM	IV7000010
84	BALL BEARING PLD ING. 6004 LLU/5K	19320220
84+90	BEARING BLOCK for VEG.PROCESSOR TM	IV1440010
96	MOTOR PULLEY, SMALL _ TM	IV2020030
98	GRUB SCREW DIN 916 M6X6	IX2916006006
100	MAIN SHAFT ASSEMBLY D.20 _ TM	IV2080010
102	SET PIN 6X6X20 FOR TM	IV76SQ06X06X20
108	C-CLIP,RETAINING DIN 471 D.20 EXT	IX2471020
110	RETAINING C-CLIP SEEGER D.42 FOR TM	IV77SI42
112	BALL BEARING PLD ING. 6004 LLU/5K	19320220

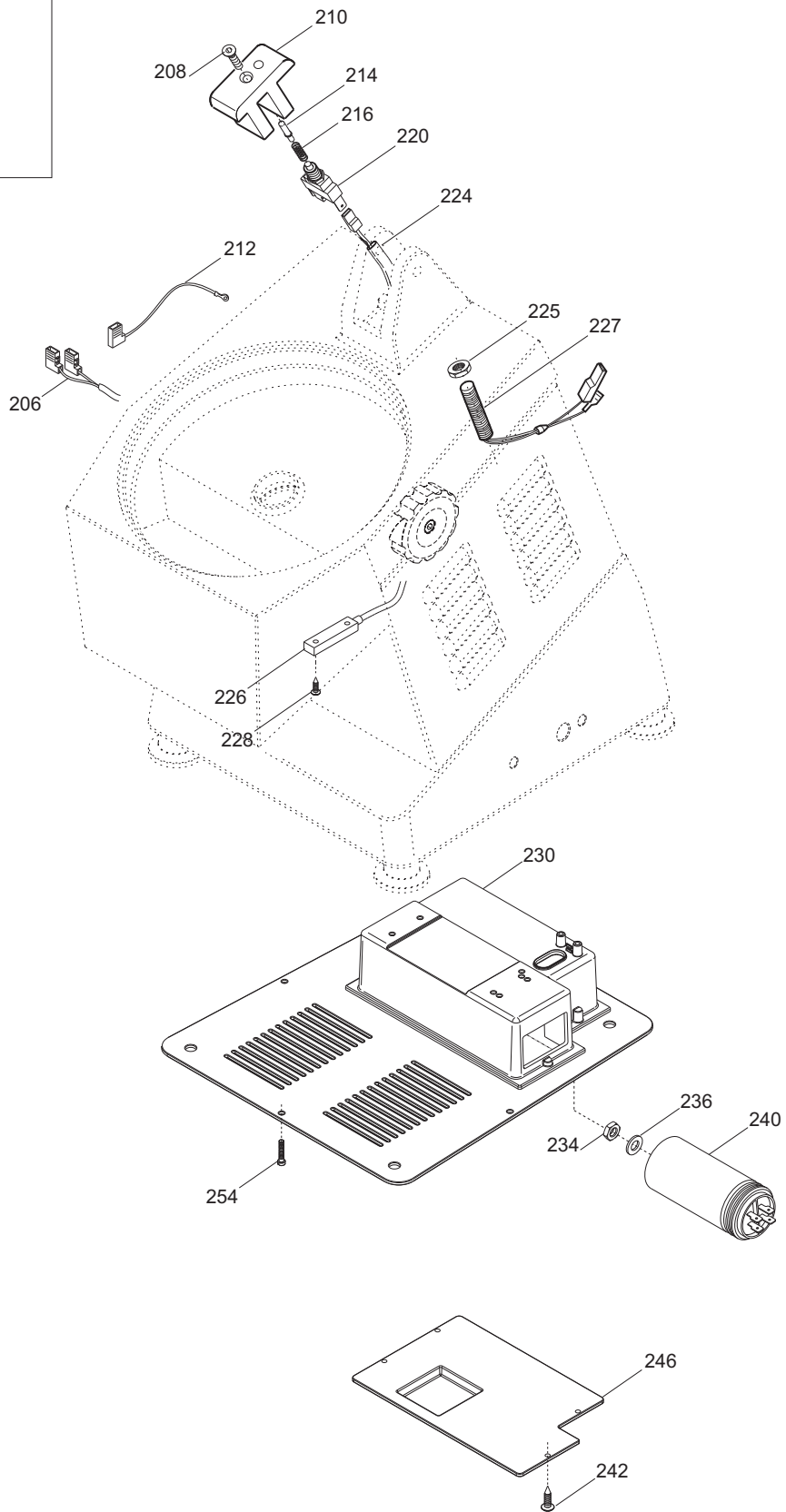
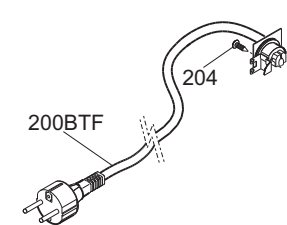
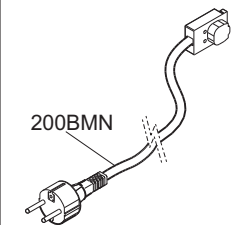
Fino a / Until 04.2019

Fino a / Until 04.2019

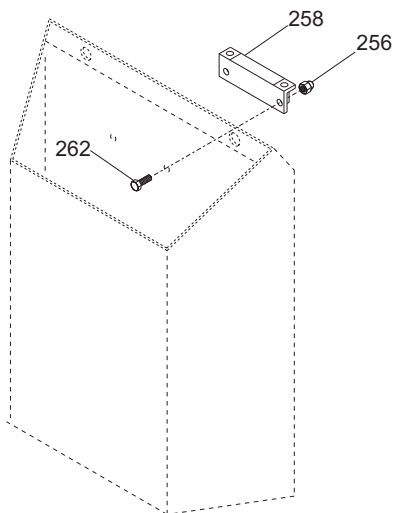
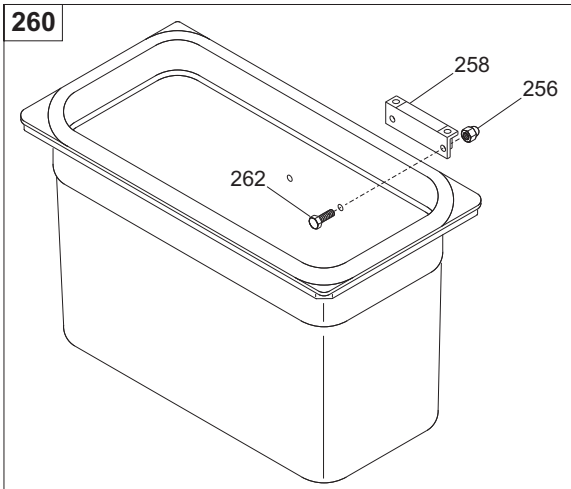


Da / From 05.2019

Da / From 05.2019



260



200AMN + 202	POWER CORD SUKO PA 205	19410530
200ATF + 202	POWER CORD, 3PH	19410536
200A CN+202	CAVO ALIMENT+PA.205 SPINA CINA"CCC"	IV55030056
200BMN	CAVO ALIMENTAZIONE MN + PA 244 S	IV55030020
200BTF	CAVO ALIMENTAZIONE TF + PL 200 E	IV55030030
204	VITE AUTOF.TC+ DIN 7981 D 3,9X9,5	IX279813.9009.5
206	POWER CONNECTION CABLE FOR TM	IV5550030
208	VITE TC 04 X 16 TM	IV77VC04X16
210	SUPPORT MICROSWITCH FOR TM	IV4010020
212	GROUNDING POWER CONNECTION TM	IV5550000
214	LONGER SPACER FOR TM	IV2080050
216	MICROSWITCH SPRING FOR TM	IV75MTM
220	MECHANICAL MICROSWITCH FOR TM	IV5820010
224	WIRING - MICROSWITCH - TM	IV5550015
225+227	MAGNETIC SENSOR FOR TM	IV5820500
226	MAGNETIC MICROSWITCH FOR TM	IV5820000
228	VITE C.CROC.AUTOFFILETTANTE 3.5X13	IV77VCR3.5X13
230	BOTTOM ENCLOSURE PANEL FOR TM	IV4010050
234	HEX.NUT DIN 934 M8	IX2934008
236	RONDELLA 8X12	IV77R08X12
240	CAPACITOR 20UF - TM	IV5820020
242	VITE AUTOF.TC+ DIN 7981 D 3,9X9,5	IX279813.9009.5
246	PROTECTION COVER TM	IV4010060
254	VITE AUTOF.TC+ DIN 7981 D 3,9X9,5	IX279813.9009.5
256	HEX.NUT DIN 934 M 5	IX2934005
258	MAGNETIC SWITCH	LF1050103
260	COLLECTING TRAY+MAGNET H 200 TM	40750080
262	SCREW M5X10	IV77PU05X10