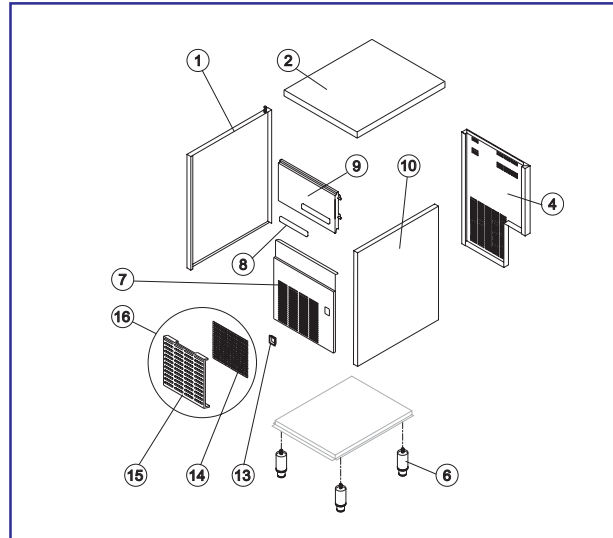


LIST OF THE EXPLODED VIEWS

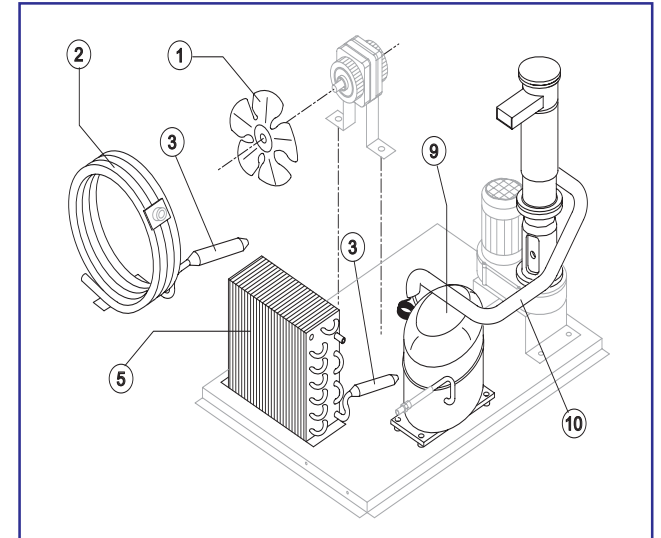
Rev. 15 - 12/03/2019



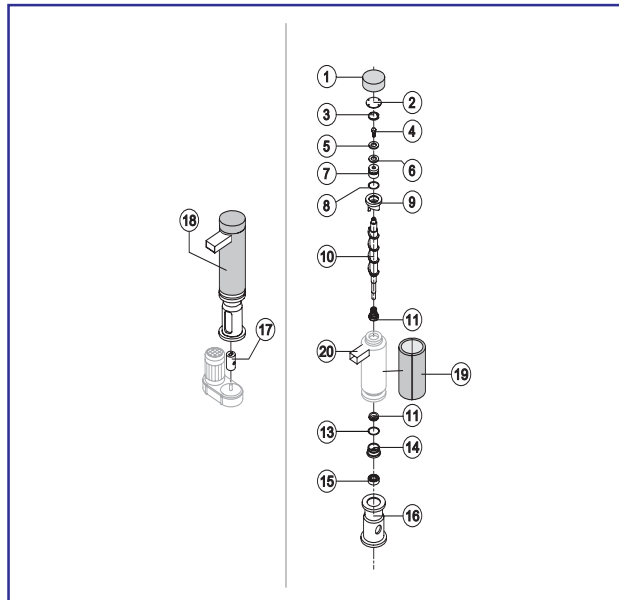
SHELL ASSY



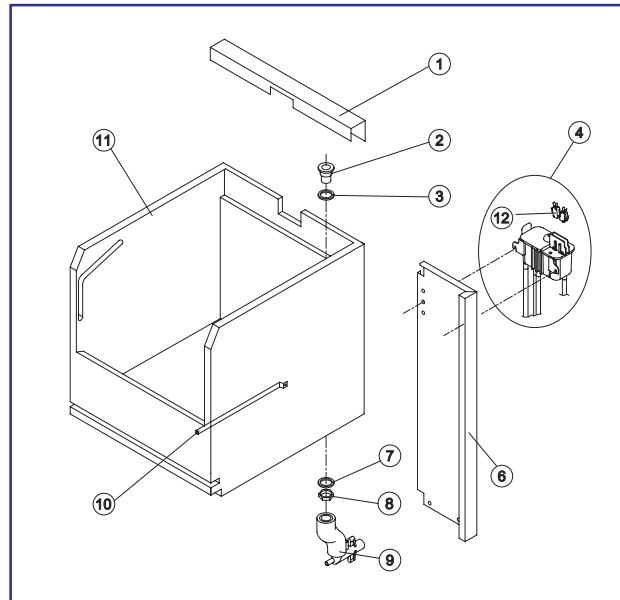
COOLING SYSTEM



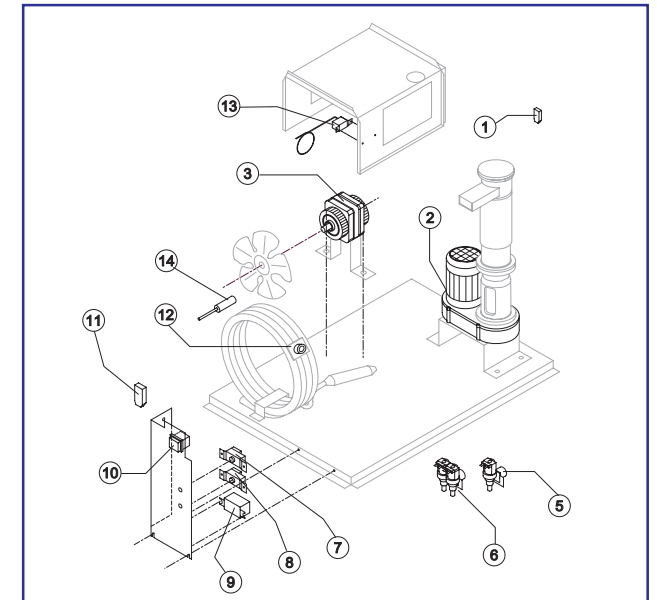
EVAPORATOR



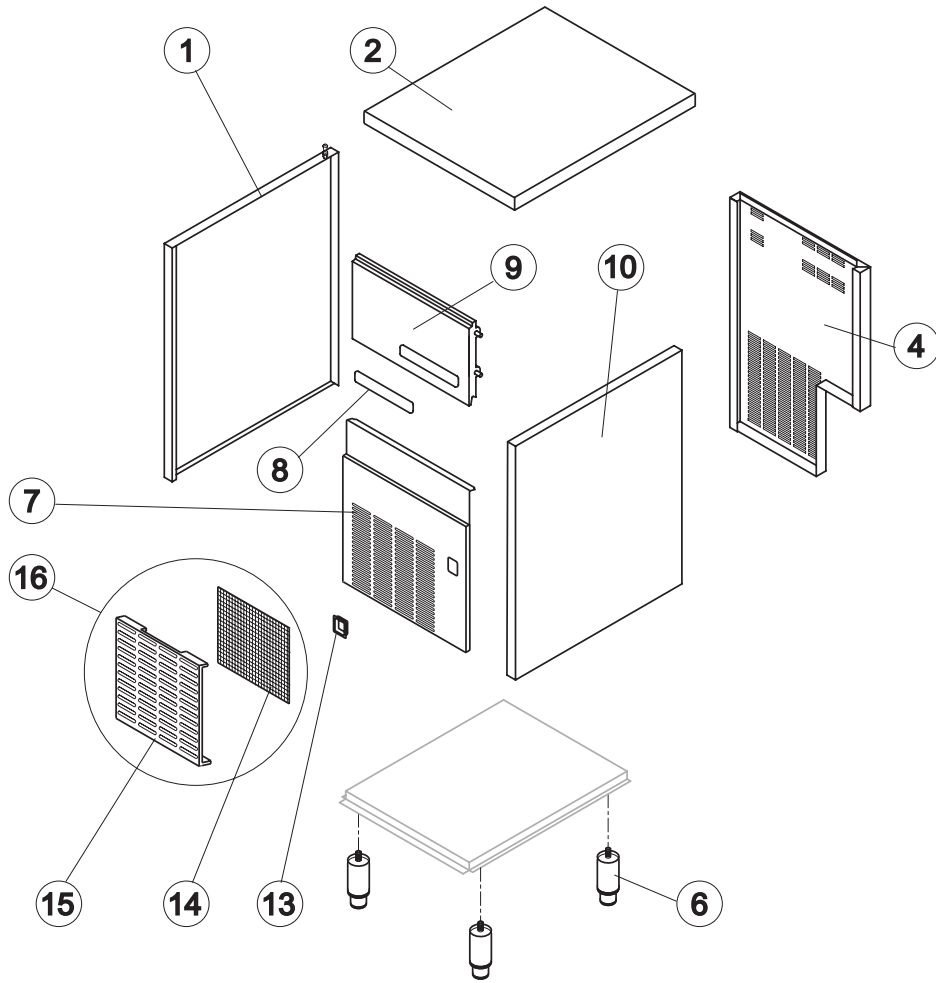
HYDRAULIC CIRCUIT



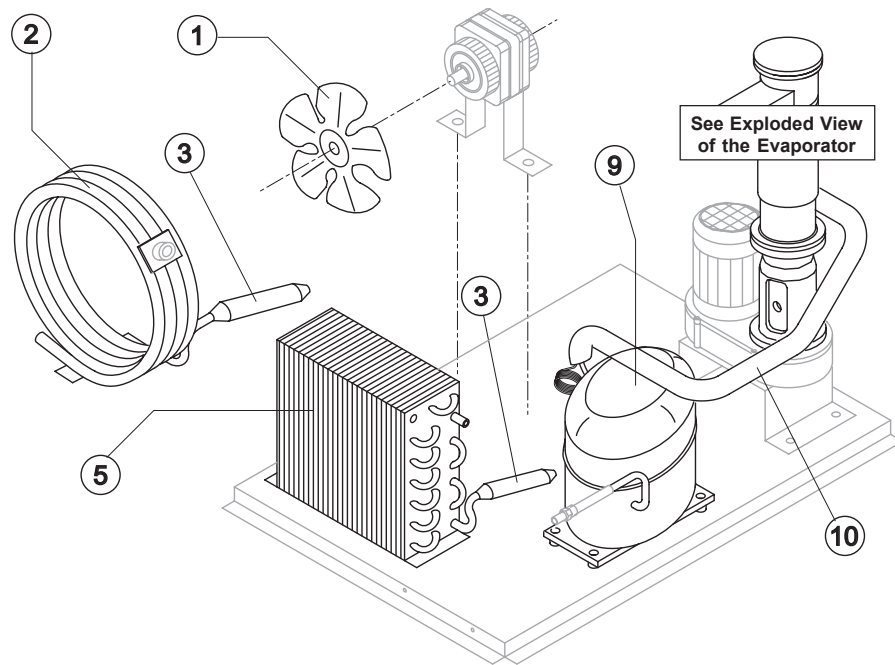
ELECTRIC PARTS



SHELL ASSY



Ref.	Spare Description	Code
1	Left SidePanel Assembly	C22753
2	Top	C221491
4	Grey Rear Panel	21258
6	Foot Adjustable	20613
7	Front Panel	C221484
8	Resinate Logo	241330
9	Door Assembly	C10360
10	Right Side Panel Assembly	C22752
13	On-Off switch Frame	10696
14	Filter	18243
15	Grid	10697
16	Grid Assembly	C10697



COOLING SYSTEM

Common Parts

Ref.	Spare Description	Code
3*	Molecular Drier	14009
9	Compressor	See Table
10	Suctin Line	for the spare parts code give us the s/n.

Parts for Air-Cooled Version Only

Ref.	Spare Description	Code
1	Sucking Fan	See Table
5	Air Condenser	20283

Parts for Water-Cooled Version Only

Ref.	Spare Description	Code
1	Sucking Fan	10213
2	Water Condenser	14057

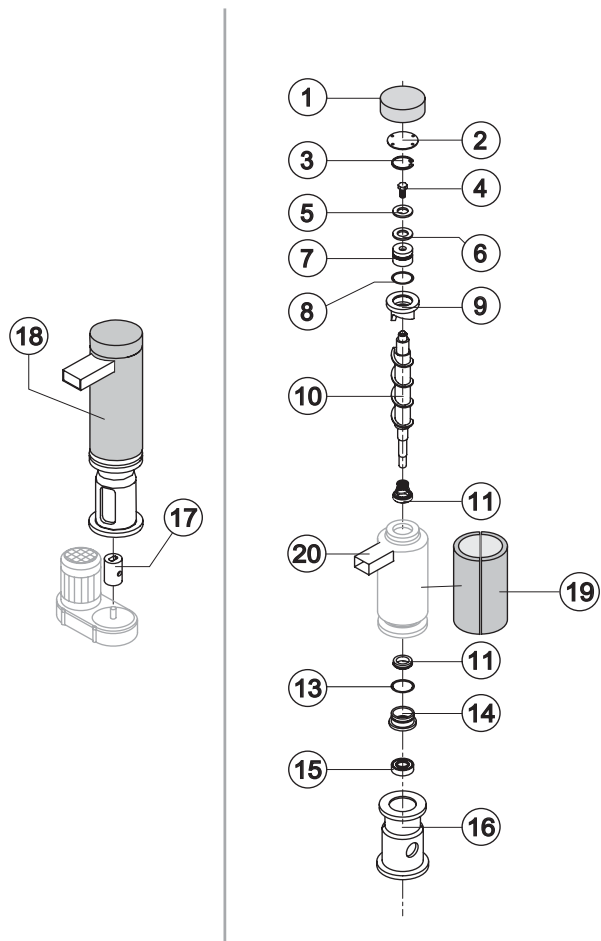
Ref. 1 - Sucking Fan

Tension	Code
220/240V 50 Hz	20096
220/230V 60 Hz	20095
110/115V 60 Hz	20095

Ref. 9 - Compressor

Tension	Code
220/240V 50 Hz	23985
220/230V 60 Hz	23494A
110/115V 60 Hz	231212

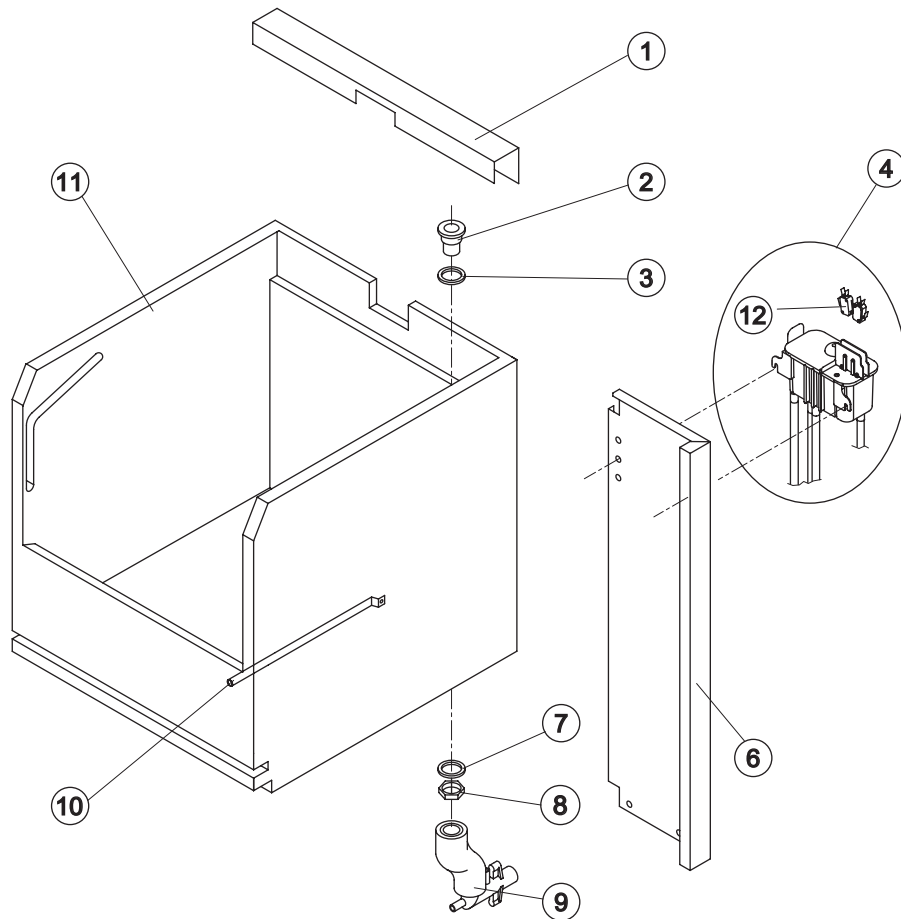
EVAPORATOR



Ref.	Spare Description (from s/n. 238344)	Code
1	Insulating Top Panel	18170
2	Closing Disk	22825
3	Seeger	20043
4	Stainless Steel Screw	20663
5	Shimming Disk	22826
6	Self-Lubricating Disk	20631
7	Stainless Steel Thrust Bearing	20686
8	OR Gasket 3087	20688
9	Ice Breaker	201236
10	Auger	20783
11	Ceramic Seal	20937
13	OR Gasket 3162 NBR70	20429
14	Reduction Ring	20785
15	Stainless Steel Bearing	20782
16	Flange	20629
17	Joint	D20784
18	Evaporator Assy	C11140
19	Insulating Cap	Current Version 18267
19	Insulating Cap	Till s/n. 829709 18171
20	ABS Ice exhaust assembly	From s/n. 830197 C10781

HYDRAULIC CIRCUIT

Rev. 15 - 12/03/2019



Common Parts

Ref.	Spare Description	Code
1	Cover for Ice Exhaust	22775
2	Water Outlet Nipple	10472
3	Silicone Gasket	13219
4*	Double Switch Basin Assembly	C10680
6	Basin Support	21246
7	Semirigid Polyethylene Gasket	13007
8	Bin Discharge Nut	10096
10	Bulb- holder Pipe	Current Version 20522
10	Bulb- holder Pipe	Till s/n. 445719 20522
11	Insulated Bin Assembly	C11125
12	Microswitch	23055

Parts for Air-Cooled Version Only

Ref.	Spare Description	Code
9	Discharges Manifold	C10366

Parts for Water-Cooled Version Only

Ref.	Spare Description	Code
9	Discharges Manifold	C10367

ELECTRIC PARTS

Common Parts

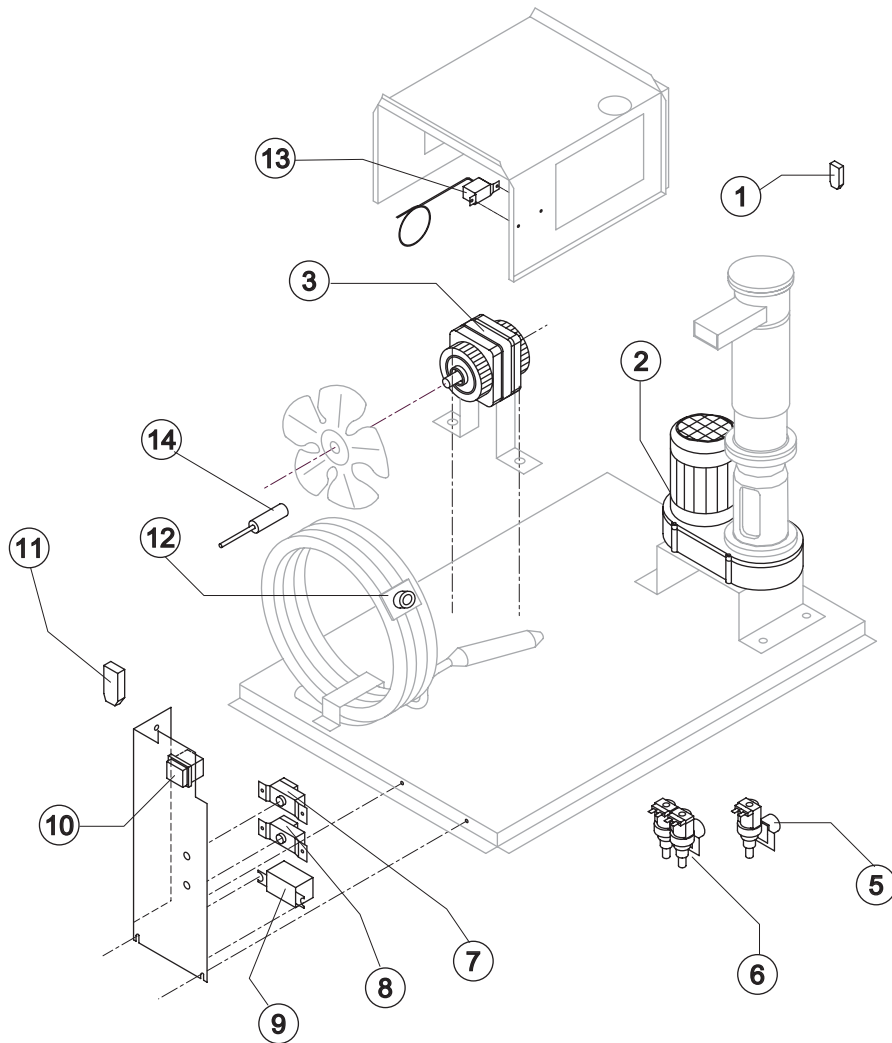
Ref.	Spare Description	Code
1	Anti Radio Interference Filter 220/240V 50 Hz	C23457
2	Gearmotor	See Table
3*	Fan Motor	See Table
7*	Bin Thermostat	R23005
8*	Evaporator Thermostat Till s/n. 613004	R23034
9*	Relay	See Table
10*	Green Light Switch (On-Off)	23327
11	Anti Radio Interference Filter 220/240V 50 Hz	C23459
13*	Condenser Pressure Switch	23175
14	Low pressure safety switch From s/n. 613005	23909

Parts for Air-Cooled Version Only

Ref.	Spare Description	Code
5*	1 Way - Water Inlet Valve	See Table

Parts for Water-Cooled Version Only

Ref.	Spare Description	Code
6*	2 Ways - Water Inlet Valve	See Table
12*	Safety Thermostat	C23114



Rev. 15 - 12/03/2019

Ref. 2 - Gearmotor

Tension	Code
220/240V 50 Hz	231030
220/230V 60 Hz	231030
110/115V 60 Hz	231056

Ref. 3* - Fan Motor

Tension	Code
220/240V 50 Hz	231041
220/230V 60 Hz	231041
110/115V 60 Hz	23683

Ref.5* -1Way-Water Inlet Valve

Tension	Code
220/240V 50 Hz	23115
220/230V 60 Hz	23115
110/115V 60 Hz	23410

Ref.6*-2Ways-Water Inlet Valve

Tension	Code
220/240V 50 Hz	23116
220/230V 60 Hz	23116
110/115V 60 Hz	23322

Ref. 9* - Relay

Tension	Current Version	Till s/n.699275
220/240V 50 Hz	23190	23190
220/230V 60 Hz	23190	23190
110/115V 60 Hz	231099	23557