

In addition to the support structure, every machine is made up from (Figure 1):

1. Electric engine
2. Electrical panel
3. Levelling foot
4. Discharge duct for grated bread
5. Dust seal gasket
6. Processed bread calibration sieve
7. Blades
8. Bread infeed hopper with internal safety guards
9. Red mushroom-shaped STOP / EMERGENCY button
10. Green START button
11. Hopper presence safety microswitch
12. Sieve blocking screw

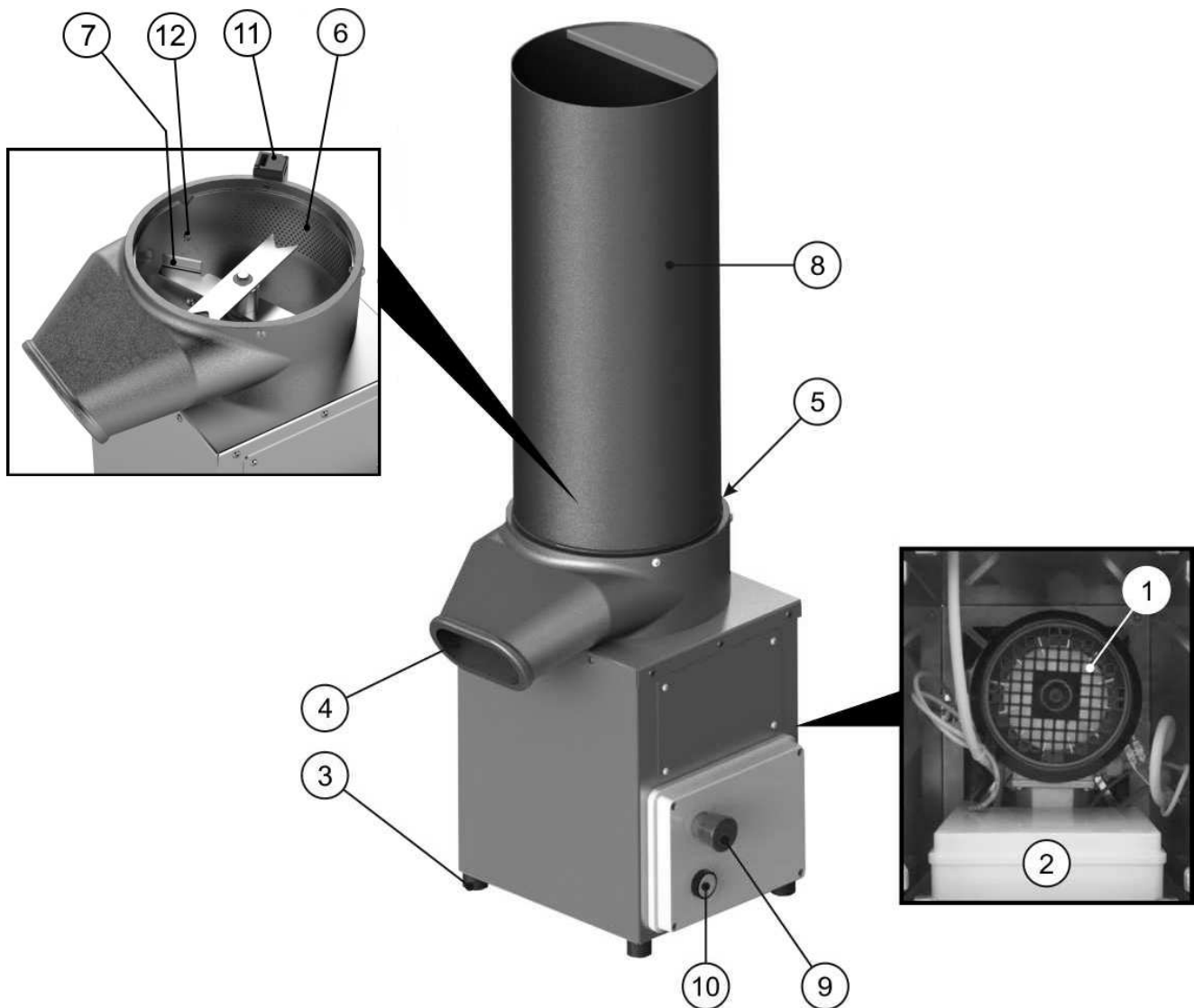


Figure 1

2.2 TECHNICAL FEATURES

	Format	MAC100
PRODUCTION PER HOUR	kg	80 ÷ 100
MASS	kg	23
INSTALLED POWER	kW	0.75
RATED VOLTAGE/FREQUENCY *Tolerance accepted: +/- 10%	V/Hz	400* / 50; 60
N° ELECTRIC PHASES	-	2 ~ + PE 3 ~ + PE
PROTECTION DEVICE INTERVENTION THRESHOLD	A	10
MIN/MAX ENVIRONMENT TEMPERATURE	°C	-5 / +40
MAXIMUM ENVIRONMENT RELATIVE HUMIDITY (CON T < 40 °C)	%	50
MAXIMUM ALTITUDE ABOVE SEA LEVEL	m	2000

2.2.1 DIMENSIONS

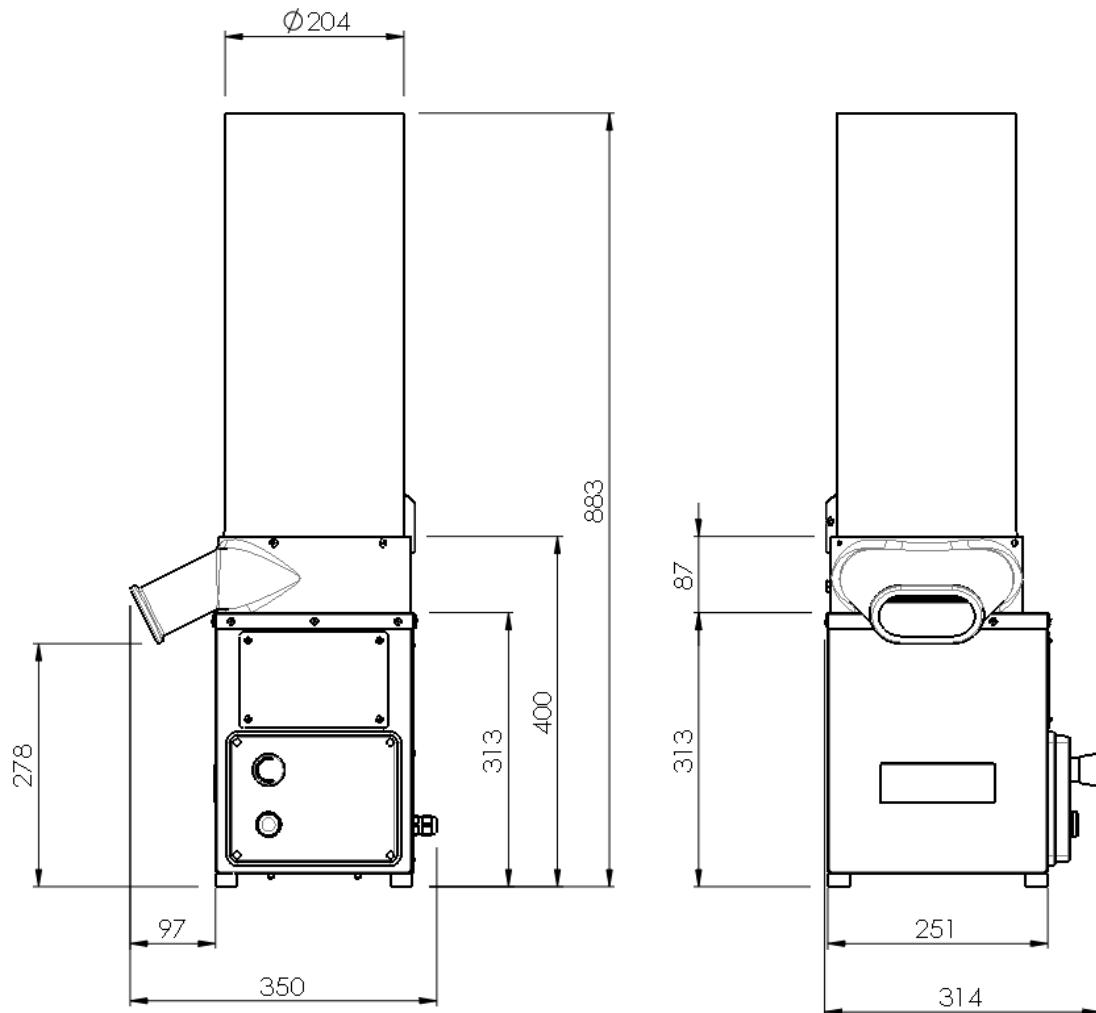
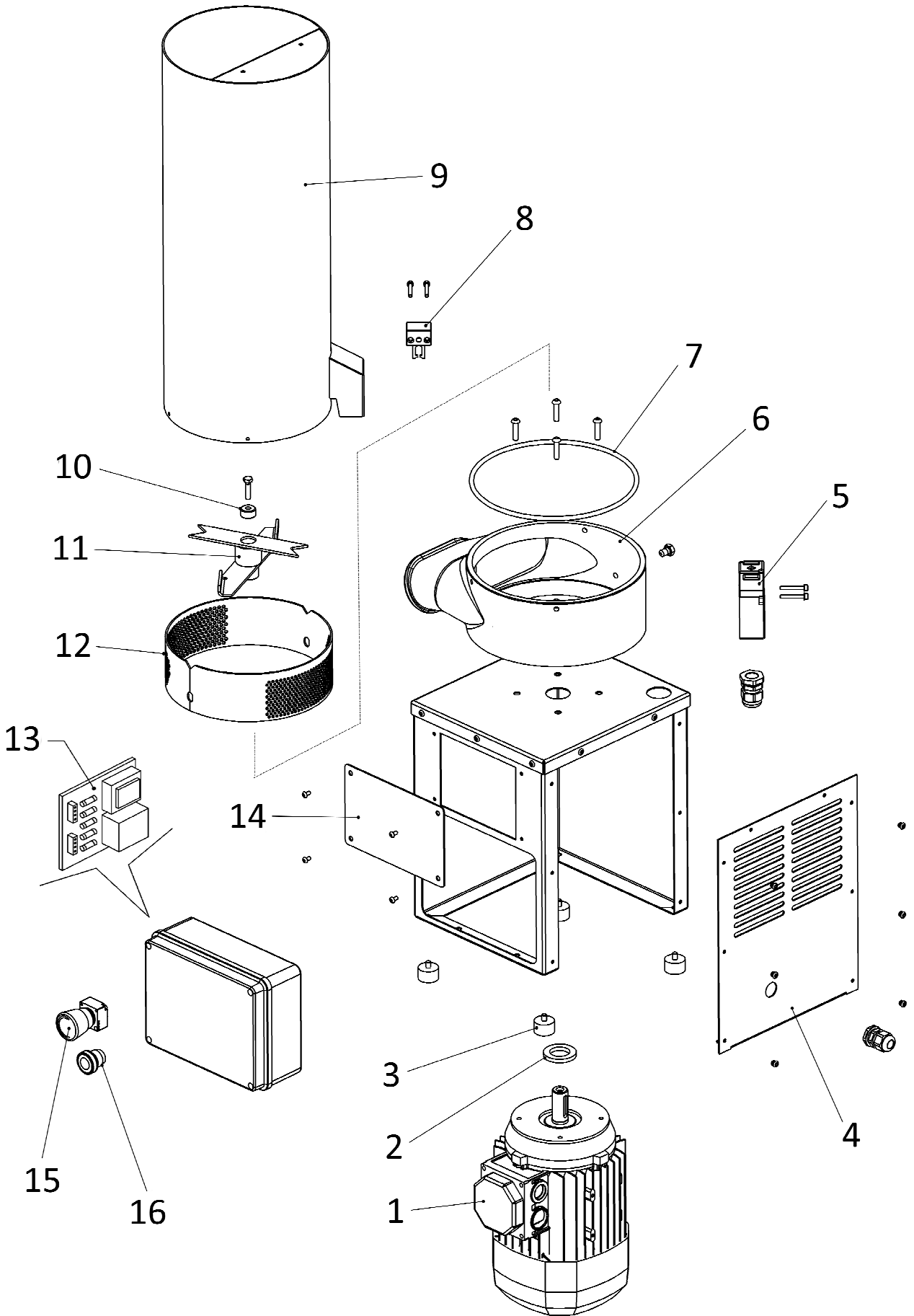


Figure 2

2.3 OPTIONAL

The machine is equipped with a sieve mesh size 3-4 (standard configuration), sieve meshes sizes 5-6, 6-7 and 8-10 are optional and can be delivered upon request.

Macinapane - Bread mill	ELENCO PARTI DI RICAMBIO	ALLEGATO 1	
MAC 100	SPARE PARTS LIST	01/06/2016	Rev. B



Macinapane - Bread mill	ELENCO PARTI DI RICAMBIO	ALLEGATO 1	
MAC 100	SPARE PARTS LIST	01/06/2016	Rev. B

POS.	COD.	DESCRIZIONE	DESCRIPTION
1	C00335	MOTORE ELETTRICO TRIFASE 400V 50HZ	ELECTRIC MOTOR 3PH - 400V - 50HZ
	C00336	MOTORE ELETTRICO MONOFASE 230V 50HZ	ELECTRIC MOTOR 1PH -230V - 50HZ
2	D03369	ANELLO DI TENUTA	RING
3	C00070	PIEDINO GOMMA	RUBBER DUMPER
4	D01453	CARTER ANTERIORE	FRONT COVER
5		MICROINTERRUTTORE	MICROSWITCH
6	D01462	BOCCA USCITA ALLUMINIO	ALUMINUM OUTLET
7	C00276	GUARNIZIONE	WASHER
8		ATTUATORE A FORCELLA	ACTUATOR
9	D01461	TUBO INOX INGRESSO PANE	S/STEEL IN FEED TUBE
10	D03632	BUSSOLA	BUSH
11	D03372	COLTELLI	KNIVES
12	D03360	SETACCIO Ø 3 – 4 mm	SIFTER Ø 3 – 4 mm
	D03550	SETACCIO Ø 5 – 6 mm	SIFTER Ø 5 – 6 mm
	D03538	SETACCIO Ø 6 – 7 mm	SIFTER Ø 6 – 7 mm
13	S00061	SCHEDA ELETTRONICA	ELECTRONIC BOARD
14	D01455	CHIUSURA LATERALE	SIDE COVER
15	S00055	PULSANTE DI EMERGENZA	EMERGENCY BUTTON
16	S00056	PULSANTE DI AVVIO	START BUTTON