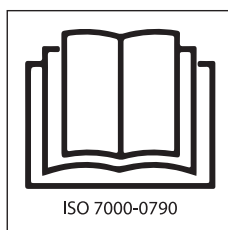


EN	CONVECTION OVENS INSTRUCTIONS FOR THE INSTALLATION, USE AND MAINTENANCE
-----------	--

RU	КОНВЕКЦИОННЫЕ ПЕЧИ И ПАРОВОКОНВЕКТОМЫ - ИНСТРУКЦИЯ ПО УСТАНОВКЕ, ЭКСПЛУАТАЦИИ И ТЕХНИЧЕСКОМУ ОБСЛУЖИВАНИЮ
-----------	--

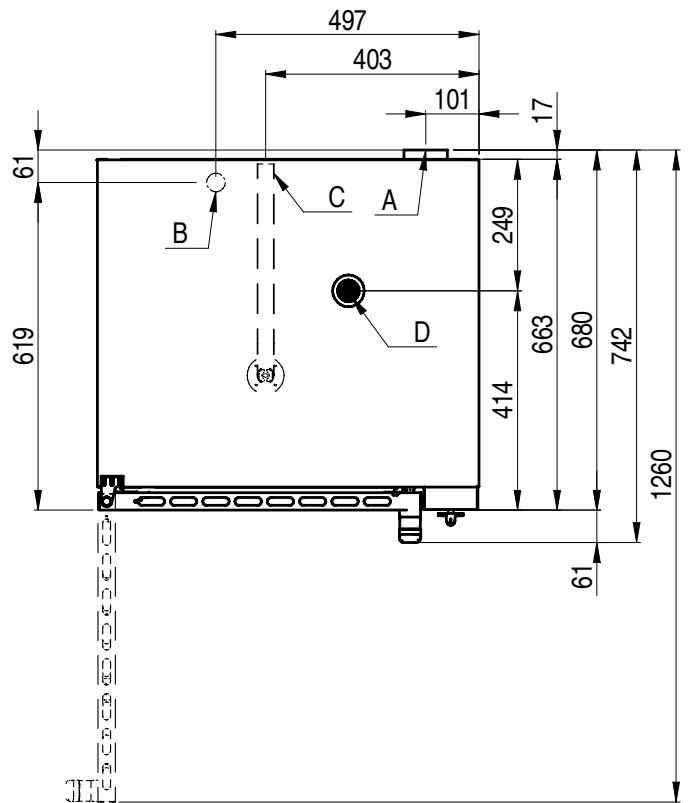
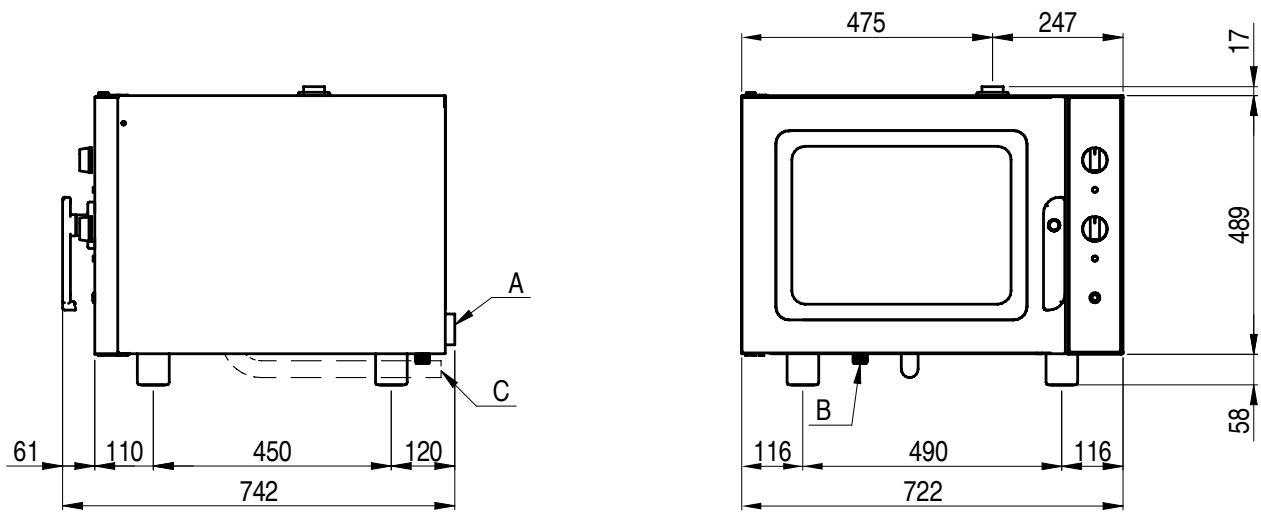


GUA-304EB	GUA-606EB
GUA-404EB	GUA-006EB
GUA-104EB	GUA-110EB
GUA-604EB	GUA-610EB
GUA-004EB	GUA-010EB
GUA-106EB	

NB-UA-304E	NB-SA-006E
NB-UA-404E	NB-UA-610E
NB-UA-604E	NB-UA-010E
NB-UA-004E	NB-SA-010E
NB-SA-004E	GDA-004E
NB-UA-606E	GDA-006E
NB-UA-006E	GDA-010E

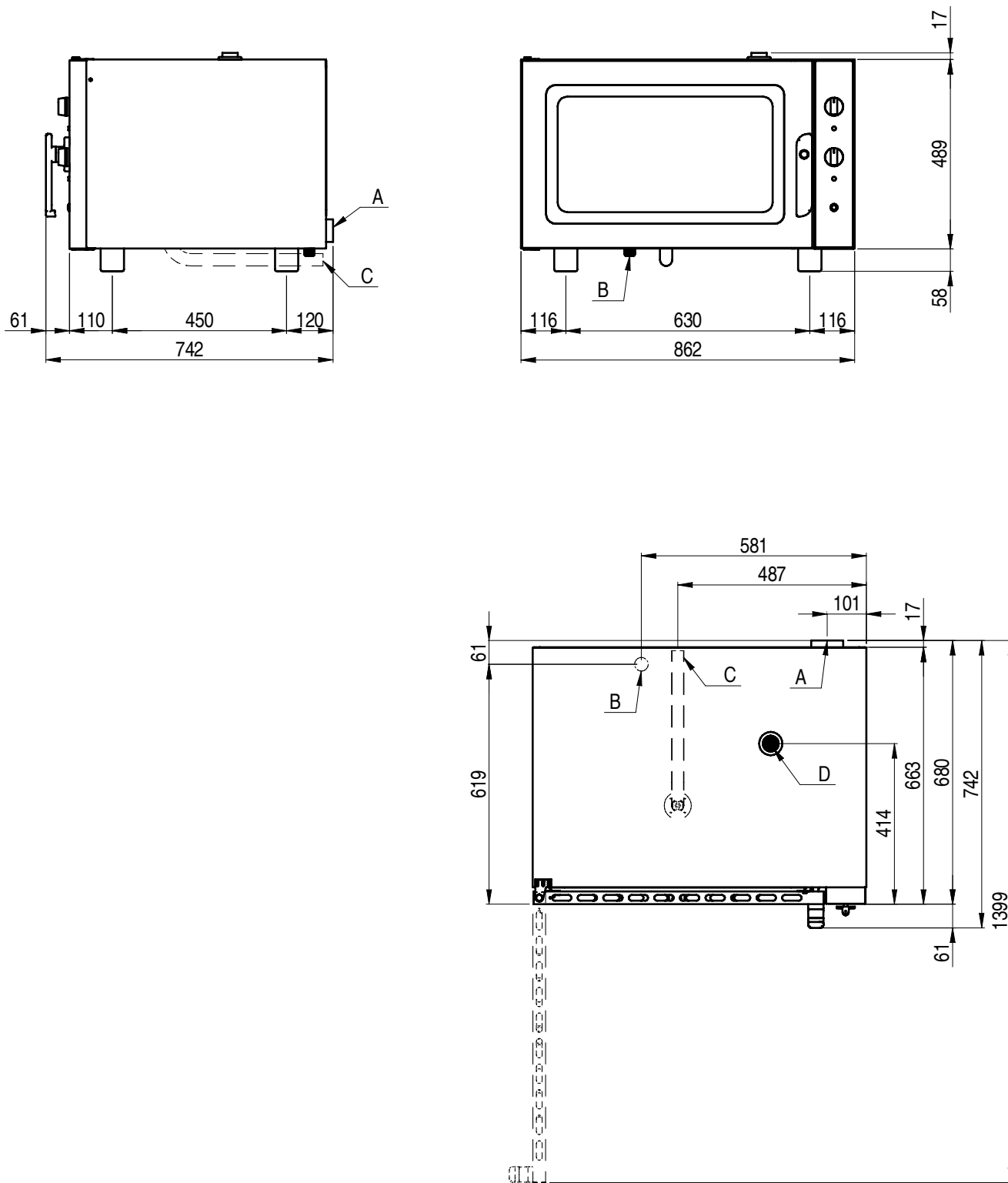
EV-UME304-LS	EV-SME906-LS
EV-UME404-LS	EV-UME610-LS
EV-UME604-LS	EV-UME910-LS
EV-UME904-LS	EV-SME910-LS
EV-SME904-LS	
EV-UME606-LS	
EV-UME906-LS	

	EN INDEX	RU СОДЕРЖАНИЕ
	Dimensions	Размеры
	Foreword	Предисловие
1.0	Declaration of Conformity	Декларация соответствия
1.1	European Directive ROHS 2012/19/UE	Директива Европейского союза 2012/19/UE
1.3	Transport of the oven and packaging removal	Перевозка печи и удаление упаковки
1.4	Informative labels	Информационные таблички
	INSTALLATION	УСТАНОВКА
1.5	Oven positioning	Размещение печи
1.6	Electrical connection	Электрическое соединение
1.7	Technical data for electrical connection	Таблица технических данных электрического подключения
2.5	Hydraulic connection water inlet	Водопроводное соединение - вход воды
2.6	Plumbing – water drainage	Водопроводное соединение – слив воды
3.1	Spare parts replacing	Замена частей
3.2	Checking the functions	Контроль функций
	USE AND MAINTENANCE	ПОЛЬЗОВАНИЕ И ТЕХНИЧЕСКОЕ ОБСЛУЖИВАНИЕ
4.0	Instructions for a safe use of the oven	Правила безопасного пользования печи
4.1	Description of the control panel components	Описание компонентов панели управления
4.5	Starting the oven	Запуск печи
4.6	Turning the oven off	Выключение печи
9.0	Maintenance	Техническое обслуживание
9.1	What to do in the case of a breakdown or non use	Что делать в случае повреждения и/или продолжительного использования
10.1	Remedies to cooking hitches	Как исправить anomalies приготовления блюд



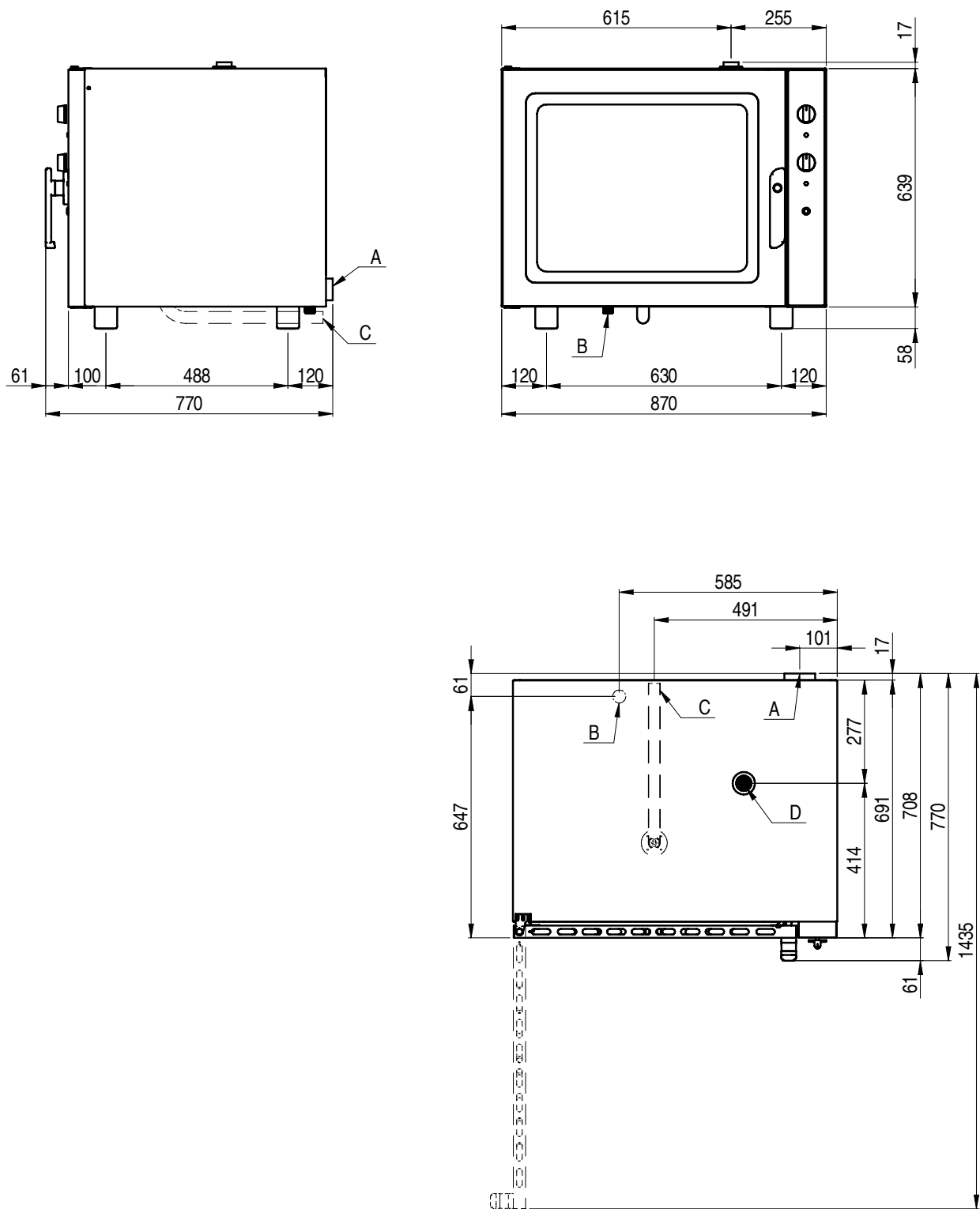
4 x 2/3 GN - 4 x 460x340

Dimensions	Capacity	Trays distance	Empty weight
Размеры	Вместимость	Расстояние между противнями	Вес пустой печи
mm 722 x 742 x h 564	4 x 2/3 GN 4 x 460x340	75 mm	40 kg



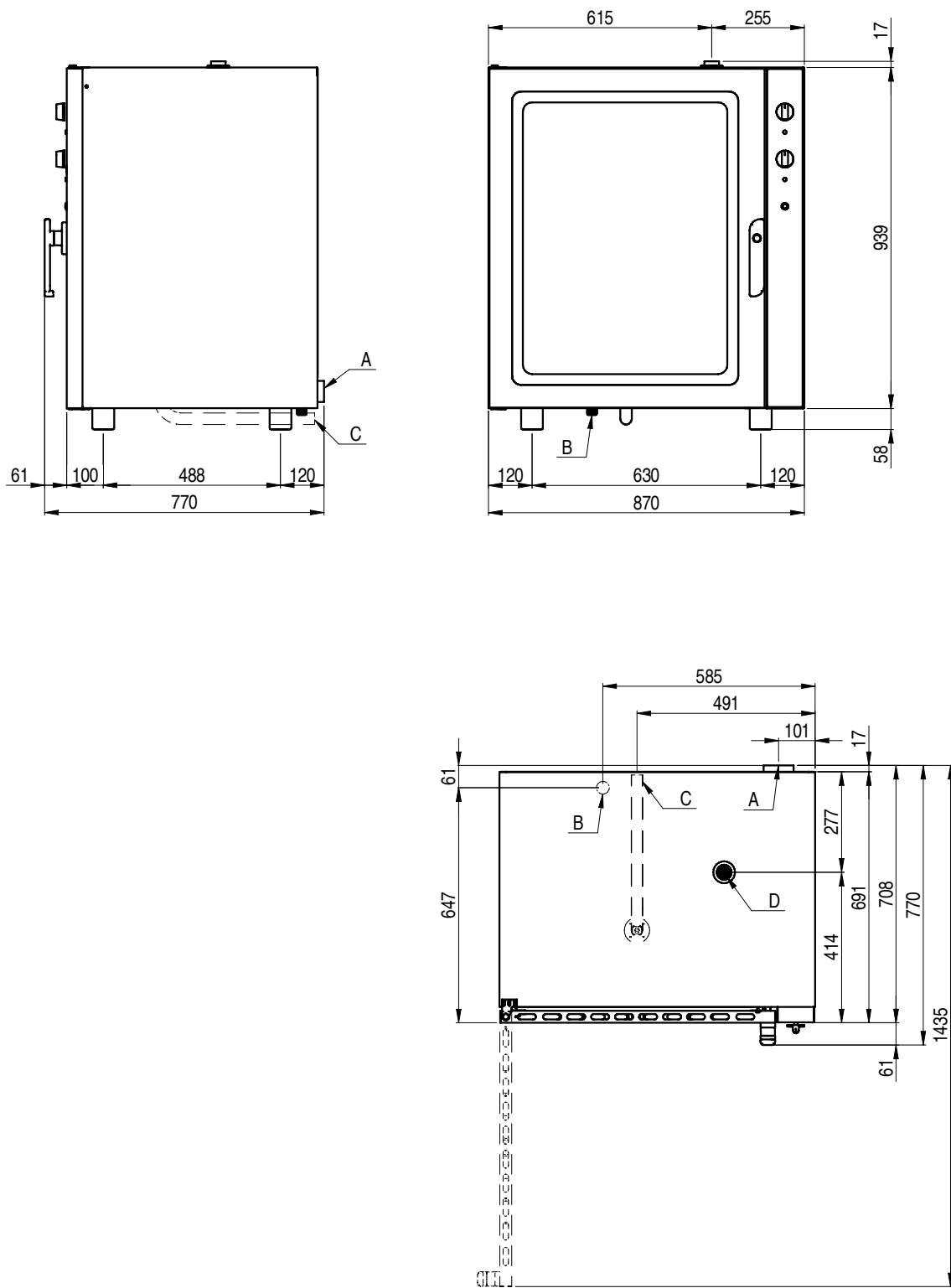
4 x 1/1 GN - 4 x 60x40 - 4 x 1/1 GN 60x40

Dimensions	Capacity	Trays distance	Empty weight
Размеры	Вместимость	Расстояние между противнями	Вес пустой печи
mm 862 x 742 x h 564	4 x 1/1 GN 4 x 60x40 4 x 1/1 GN - 60x40	75 mm	



6 x 1/1 GN - 6 x 60x40 - 6 x 1/1 GN 60x40

Dimensions	Capacity	Trays distance	Empty weight
Размеры	Вместимость	Расстояние между противнями	Вес пустой печи
mm 870 x 770 x h 714	6 x 1/1 GN 6 x 60x40 6 x 1/1 GN - 60x40	75 mm	



10 x 1/1 GN - 10 x 60x40 - 10 x 1/1 GN 60x40

Dimensions	Capacity	Trays distance	Empty weight
Размеры	Вместимость	Расстояние между противнями	Вес пустой печи
mm 870 x 770 x h 1014	10 x 1/1 GN 10 x 60x40 10 x 1/1 GN - 60x40	75 mm	

FOREWORD

The contents of this manual are generic and not all the functions described may be available on your product.

The manufacturer declines all responsibility for possible inaccuracies contained in this pamphlet, due to printing or copy errors. We reserve the right to make on our own products those changes to be considered necessary or useful, without jeopardizing the essential characteristics.

Read the instructions for use very carefully paying particular attention to the rules concerning safety devices. This appliance must only be used for what it has been designed for and built for and that is: all baking of dishes and regenerating pre-cooked and/or frozen food.

WARNING!

Before making any type of connection of this equipment (electrical or hydraulic), carefully read the instructions in this manual. This manual must be carefully kept to be available for future reference by users or service technicians. Installation must be carried out by a qualified personnel only.

1.0 DECLARATION OF CONFORMITY

The Manufacturer declares that the appliances conform to the EEC norms.

They must be installed in accordance with current standards, especially regarding aeration of the premises and the exhaust gas evacuation system.

Note: The Manufacturer declines all and every responsibility for any direct damages caused by: an incorrect use, wrong installation or bad maintenance.

1.1 EUROPEAN DIRECTIVE ROHS 2012/19/UE

This appliance is marked according to the European directive 2012/19/UE on Waste Electrical and Electronic Equipment (WEEE). By ensuring this product is disposed correctly, you will help prevent potential negative consequences for the environment and human health, which could otherwise be caused by inappropriate waste handling of this product.



The symbol on the product, or on the documents accompanying the product, indicates that this appliance may not be treated as household waste.

Instead it shall be handed over to the applicable collection point for the recycling of electrical and electronic equipment.

Disposal must be carried out in accordance with local environmental regulations for waste disposal.

1.3 TRANSPORT OF THE OVEN AND PACKAGING REMOVAL

Upon receipt of the oven and before installing it, check the packaging is intact and there are not visible damages. Also check that along with the oven you receive also the documentation, consisting of:

- Instructions for installation, use and maintenance
- Chart to check correct installation
- Wiring diagram
- Label ISO 3864-1

Before bringing the oven to the point, where it must be installed, check the following:

The doors are large enough to allow passage of the oven

The floor supports the weight.

According to the model of oven, its dimensions and its weight, use suitable facilities to handle goods during transport and installation, able to guarantee stability in order to avoid overturning, falls or uncontrolled movements of the appliance or its components.

Keep the oven packed until you reach the site where the oven is going to be installed.

The packaging makes the handling of goods easier and protects the oven from accidental push.

During moving and installation of the oven, the installer must comply with accident-prevention regulations in force at the place of installation (use of safety shoes, gloves, etc.) Remove the packaging taking care not to damage the oven. The adhesive film, that protects the surfaces made of stainless steel can be removed also after you have positioned the oven on the corresponding stand or the support surface.



ATTENTION: Packaging materials and adhesive film are potentially dangerous.

For this reason, they must be kept out of the reach of children and properly disposed of in compliance with local directives.

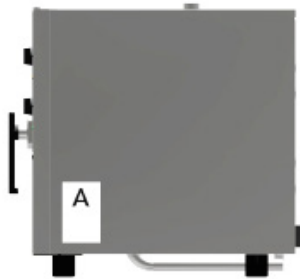
You should separate packaging materials (wood, cardboard, plastic...) and dispose of them separately, in compliance with directives in force at installation site.

Note: Take the protective film off the stainless steel parts by hand before starting the appliance.

Do not use abrasive substances and/or metal objects. Clear any adhesive residues using a sponge soaked in solvent. If the oven is heated up before removing the adhesive film, the removal of the film and cleaning of residues of glue will be much more difficult.

1.4 INFORMATIVE LABELS

On each oven there are applied some metal labels, that give important info concerning characteristics of the oven, electric and plumbing connections and eventually the drain connection.



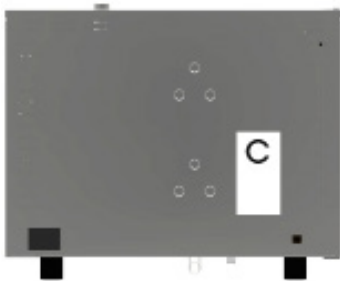
- On the right hand side panel there is the label A.
The info contained on this label are:
- Name and address of the manufacturer
 - Oven model
 - IPX protection grade against water jet.
 - Conformity to EC directives.
 - Power input and power supply (single or three phase).
 - Serial number of the oven
 - Symbol of European Directive 2012/19/UE



Removing the back side panel, on the oven chassis you find label B.

On this label the serial number of the oven is repeated.

In this way, the customer or the installer can find the serial number of the oven also when the label A is dirty or damaged.



If the oven is equipped with humidification, in the back of the oven, near the connector for water connection there is the label C.

Label C indicates water features necessary for a correct functioning of the oven.

Same features are listed at paragraph 2.3A of this manual.

INSTALLATION

1.5 POSITIONING OF THE OVEN

The place where the oven will be installed must comply the following requirements:

- Be protected from atmospheric agents and have an adequate air circulation;
- Comply with regulations concerning safety at work;
- Have a room temperature between 5 °C and 35 °C with a humidification not higher than 70%.
- Place the oven and proceed with levelling using adjustable feet.
-

Keep a suitable distance at the back, in order the label of equipotential clamp is easy to see when the oven has been installed. The same clamp must be easy to access to install equipotential cable after the oven has been installed in compliance with our instructions.

Install the appliance in a position that allows access to the right side for installation, maintenance and technical assistance.

1.6 ELECTRICAL CONNECTION

When the appliance is delivered it is set to work at the voltage given on the rating plate affixed on the right side of the appliance.

The effectiveness of the equipotential system of which the appliance is part of, must conform to current standards.

Connect using the screw you find in the back side of the oven, marked with the word **EQUIPOTENTIAL**.

The Manufacturer declines all and every responsibility if this important accident prevention norm is not complied with. If the feeding cable is damaged, it must be replaced by the technical service or in any case by similar qualified personnel, in order to avoid any risk.

1.7 TECHNICAL DATA FOR ELECTRICAL CONNECTION

Model	Power loading and voltage	no. and motor power	Heating power	Absorbed current	Feed cable section
4 x 2/3 GN	3.3 kW 220-240 V 1N ~ 50/60 Hz	1 x 240 W	3.0 kW	14.0 A	cable included
4 x 460x340					
4 x 1/1 GN	3.3 kW 220-240 V 1N ~ 50/60 Hz	1 x 240 W	3.0 kW	14.0 A	cable included
4 x 60x40	6.5 kW 380-415 V 3N ~ 50/60 Hz	2 x 240 W	6.0 kW	11.0 A	5 x 2.5 mm ²
4 x 1/1 GN 4 x 60x40					
6 x 1/1 GN	7.9 kW 380-415 V 3N ~ 50/60 Hz	2 x 240 W	7.4 kW	13.5 A	5 x 2.5 mm ²
6 x 60x40					
6 x 1/1 GN 6 x 60x40					
10 x 1/1 GN	11.9 kW 380-415 V 3N ~ 50/60 Hz	3 x 240 W	11.1 kW	20.0 A	5 x 4.0 mm ²
10 x 60x40					
10 x 1/1 GN 10 x 60x40					

2.5 HYDRAULIC CONNECTION – WATER INLET

If the humidification system is installed, the ovens have a water inlet coupling at the back. Always install an on-off valve between the appliance and the water mains, making sure it is easy to operate. We also suggest installing a cartridge filter on the water inlet pipe. Always use a set of new water joints, eventual old joints must not be used again. Plumbing connection must be always effected with cold water and rigid pipes. Never use hoses to connect the oven to the water main.

The water must be suitable to human use with the following characteristics:

Temperature: included between 15 – 20°C

Total hardness: included between 4 and 12 °f (French degrees), it is advisable to install a softener upstream from the appliance that will maintain the hardness level at the mentioned values.

Pressure: included between 150 and 250 KPa (1,5 – 2,5 bar).

Attention: higher water pressure values result in increased water consumption and can compromise the correct functioning of some components.

Maximum chloride concentration (Cl⁻): less than 150 mg/litre.

Chlorine concentration (Cl₂): less than 0.2 mg/litre.

pH: more than 7.

Water conductivity: included between 50 and 2000 µS/cm.

Attention: Water treatment systems that bring to different values to the ones above mentioned automatically invalidate the guarantee.

The use of dosing systems designed to prevent the build-up of lime-scale in pipes (i.e. polyphosphate dosing systems) is also prohibited since it may impair the performance of the appliance.

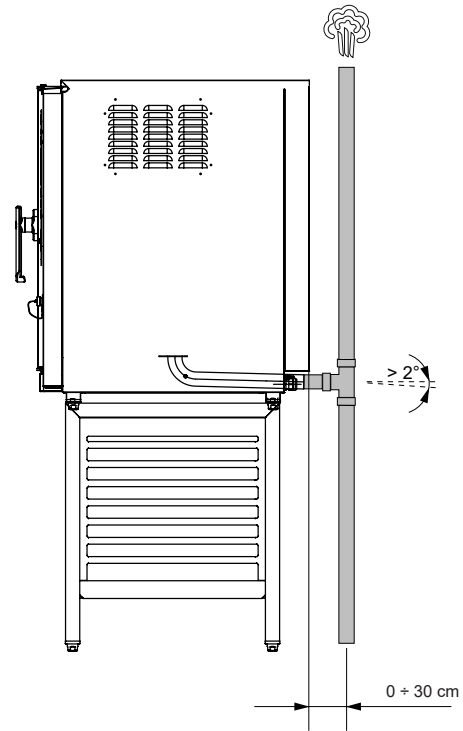
2.6 PLUMBING – WATER DRAINAGE (mod. Combi with direct steam)

Drainage for the water is at the back of the oven and must be connected directly to the end of the stainless steel drainpipe.

The drain must have no trap and be made in rigid pipes that can withstand a temperature of 110°C.

Under no circumstances must pipe diameter be reduced. The actual pipe should be at atmospheric pressure with the appropriate funnel type air intake.

If the drainpipe is clogged for any reason steam can escape from the door and bad smells can be created inside in the oven.



3.1 REPLACING SPARE PARTS

The replacement of damaged parts must be done only by qualified personnel.

To request the manufacturer parts to be replaced must be provided the oven model and serial number.

These data can be found on the rating plate attached to the oven (see par. 1.4).

Before starting to replace spare parts make sure, for safety reasons, that the electricity main switch is off and that the water on-off valve are closed.

3.2 CHECKING THE FUNCTIONS

After completing the installation of the oven is necessary to perform a leak test to the water network.

The installer must check with suitable measurement instruments that the air noise emissions have a level of sound pressure type weighed A, less than 70 dB (A).



The label ISO 3864-1 here on the side must be stuck on a visible surface, 1,6 mt height from the ground.

On floor models, the label is already stuck in the suitable position.

On table models, the label is supplied along with the documentation and must be stuck after installation on a visible part of the appliance at 1.60 mt from the ground.

The installer must verify proper operation of the oven, providing the necessary instructions to the customer and give this instruction manual that the user must follow carefully.

IMPORTANT:

Before the operator turns the oven on and uses it for any cooking or washing cycle, it is necessary that the installer or a qualified technician checks all the connections have been done up to the instructions stated in our manual. The technician or the installer must therefore check as follows:

- The oven must stand (horizontal position) and be fixed on a stand or a shelf, that can guarantee stability.
- Wiring connection must be effected according to the directives and the feed cable section must be no lower than the one indicated in the manual.
- Pressure and hardness of the water must comply the values indicated in this manual;
- If the oven is supplied with drain pipe, this must be connected properly and the materials used should withstand the working temperature.

After you have checked everything, open the water on-off valve, eventually the gas on-off valve and the protection switch, all installed upstream.

The installer must check the proper functioning of the oven and give to the operator necessary instructions for a correct use of the oven, and also verify that the operator owns a copy of this manual.

At the end the installer must fill in and sign the chart for correct installation and give it to the customer, who will keep it for all warranty period of the oven.

USE AND MAINTENANCE

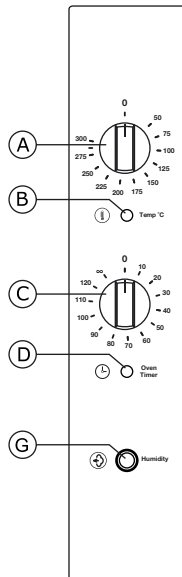
INSTRUCTIONS FOR A SAFE USE OF THE OVEN

- Ensure the oven is on a stable position and safety devices installed upstream are efficient.
- Always use adequate protection gloves to introduce or pull out the trays.
- Always pay maximum attention to the floor, that due to cooking steam could be slippery.
- In order to avoid burns, never use trays or containers with liquids or fluids over a level that can be easily controlled at sight.
- Don't put trays or other kitchen tools on the oven.
- Periodically have a check with technical service and replace eventual damaged parts, that could alter the proper functioning of the oven or be a danger.
- Often clean the oven following the instructions stated in this manual.

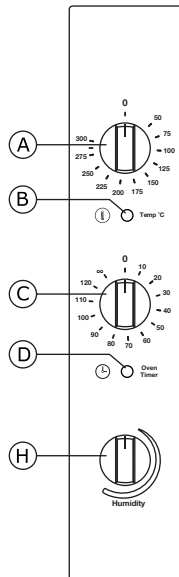
MAX. FOOD LOADING

Number of trays	Max. food loading
4 x 2/3 GN - 4 x 460x340	8 kg
4 x 1/1 GN - 60x40	13 kg
6 x 1/1 GN - 60x40	18 kg
10 x 1/1 GN - 60x40	30 kg

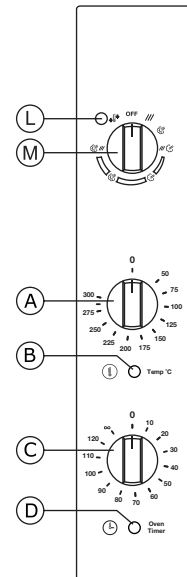
4.0 CONTROL PANNEL COMPONENTS DESCRIPTION



Convection with humidification



Convection with steam



Combi with direct steam

- A** Cooking chamber thermostat. Temperature range between 50 - 270 °C
- B** Pilot light cooking chamber heating ON
- C** Timer. Adjustment from 0 to 120 minutes or uninterrupted working.
- D** Pilot light timer ON
- G** Manual humidification button (models convection with humidification)
- H** Steam regulation (models convection with steam)
- L** Cycle selector knob
- M** Pilot light oven power supply ON

4.5 STARTING THE OVEN

Ensure that water supply are turned on and that the electricity supply is switched on. Select the cooking time with the timer (C) that goes up to a maximum of 120 minutes; for longer cooking times, select the (∞) nonstop position. When the timer is on and the door is closed the cooking cycle starts together with the electric fan, heating and steam generation, if selected. When the set time is finished a buzzer signals that cooking is finished and all the functions stop. When selecting the cooking time always remember the time needed to pre-heat the oven. It's a good practice to observe this caution before introducing the food to be cooked in the oven.

4.6 TURNING THE OVEN OFF

The oven is turned off by turning the cycle selector knob round to position 0.

9.0 MAINTENANCE

All external stainless steel parts should be:

- 1 - cleaned with clear, soapy water;
- 2 - rinsed with water;
- 3- dried thoroughly.

It is absolutely forbidden to use scrapers, metal soap pads and other common steel tools as they could besides scratching the surface, deposit iron particles that, oxidizing would cause rust to form.

**DO NOT WASH THE APPLIANCE WITH JETS OF WATER
DO NOT USE PRODUCTS TO WASH THE STAINLESS STEEL PARTS, WHICH CONTAIN CHLOR (BLEACH, CHLORINE ACID) EVEN IF WATERED DOWN.**

The oven cooking chamber must be cleaned from residues of food and fat at the end of each cooking process. The juices and fat that drip from the food and fall to the bottom, are conveyed to the drain in the centre. To clean the oven, use a degreasing product suitable for stainless steel, a spray-on product for instance, that covers all areas, especially the back of the suction conveyor.

The fan must be kept clean to avoid grease and fat from depositing on the blades causing motor revolutions to decrease leading to a reduction in the flow of air and dangerous mechanical stress to the motor itself.

When the appliance is not used for long periods of time :

1. Turn the main switch off
2. Close the water on-off valve (both installed upstream from the oven);
3. Leave the door open so air can circulate and prevent bad odors;
4. With a cloth spread a thin protective layer of Vaseline oil on all stainless steel surfaces;

9.1 WHAT TO DO IN CASE OF A BREAKDOWN AND/OR EXTENDED PERIOD OF NON USE

If the oven does not work properly, breaks down or if the safety thermostat triggers, switch the oven off, disconnect the electricity and water supply and notify the technical assistance service.

All work of installation, maintenance and repairs should be carried out exclusively by qualified and authorized personnel.

10.1 REMEDIES TO COOKING HITCHES

If cooking is uneven:

Check that there is at least 3 cm between the food cooking and the tray above it: if there is less space it will not allow correct ventilation of the food to be cooked. Make sure that the foods to cook are not against each other which would prevent correct ventilation between them.

Cooking temperature might be too high, try with a lower temperature. If the food cannot stand direct contact with the hot air it must be put in suitably deep G.N. containers.

If the food is dry:

Reduce cooking time.

The temperature must be adequately lowered. Remember that the lower the temperature is the less weight will be lost.

The combined cycle for a humidity rich cooking environment was not selected.

The food was not greased with oil or juices before it was put in to cook.

ПРЕДИСЛОВИЕ

Содержание настоящего пособия относится к разным моделям печи, поэтому не все описанные функции могут входить в печь, которую Вы купили.

Изготовитель снимает с себя всякую ответственность в случае возможных неточностей, которые может содержать настоящее пособие, приписываемых ошибкам печати или транскрипции. Изготовитель оставляет за собой право на внос изменений, которые считает необходимыми или полезными и которые не нанесут вред основным характеристикам. Внимательно прочитайте инструкцию по использованию с особым вниманием на правила относящиеся к устройствам безопасности. Этот аппарат должен быть использован только по назначению, то есть для готовки продуктов и для регенерации уже готовых или замороженных блюд.

ВНИМАНИЕ!

Перед тем как выполнить какое-нибудь соединение этого аппарата (электрическое или водопроводное), нужно внимательно прочитать настоящее пособие. Пособие должно быть тщательно сохранено для того, чтобы потребители и технические специалисты могли к нему обращаться в будущем. Установка должна быть выполнена исключительно специализированным техническим персоналом.

1.0 ДЕКЛАРАЦИЯ СООТВЕТСТВИЯ

Изготовитель заявляет, что аппараты соответствуют предписаниям Европейского Экономического Союза. Установка должна быть выполнена с соблюдением действующих законов, главным образом тех, которые относятся к аэрации помещений и системам удаления отработанных газов.

ВНИМАНИЕ: Изготовитель снимает с себя всякую ответственность в случае повреждений, возникающих от неправильного использования, неправильной установки и плохого обслуживания.

1.1 ДИРЕКТИВА ЕВРОПЕЙСКОГО СОЮЗА 2012/19/UE

Этот аппарат соответствует Директиве Европейского Союза 2012/19/ЕС об отходах электрического и электронного оборудования (ОЭЭО). Гарантируя правильную переработку этого аппарата, потребитель способствует предотвращению возможных негативных последствий для окружающей среды и здоровья.



Символ на изделии или на сопровождающих документах указывает, что оно не подлежит утилизации в качестве бытовых отходов. Изделие следует сдать в соответствующий пункт приема электронного и электрооборудования для утилизации.

Избавляясь от аппарата, следует придерживаться правил по переработке отходов. За дальнейшей информацией по обслуживанию, восстановлению и реутилизации обращаться в магазин приобретения изделия.

1.3 ПЕРЕВОЗКА ПЕЧИ И УДАЛЕНИЕ УПАКОВКИ

При получении печи и перед тем, как ее установить, проверить целостность упаковки и наличие повреждений. Проверить наличие документов, в составе которых должны быть:

- инструкция по установке, пользованию и техническому обслуживанию
- бланк по проверке правильной установки
- электрическая схема
- этикетка ISO 3864-1

Перед тем как перенести печь на место установки проверить:

- широту дверей, которые должны быть достаточны, чтобы пронести печь
- выдержит ли покрытие полов вес печи

В зависимости от модели печи, ее размеров и веса, для перемещения и движения использовать оборудование, которое может гарантировать стабильность, чтобы избежать опрокидываний, падений или неконтролируемых движений аппарата и его составных частей.

Не снимать упаковку печи до места, где она будет установлена.

Упаковка облегчает перемещение и защищает печь от случайных ударов.

Во время перемещения и установки печи, установщик должен соблюдать правила по предотвращению несчастных случаев, действующие в месте установки (использование обуви по предотвращению несчастных случаев, перчатки, и т. д.). Удалить упаковку осторожно, чтобы не повредить печь. Прилегающую плёнку, которая защищает поверхности из нержавеющей стали, можно убрать после того, как печь будет поставлена на соответствующую поддержку или на поверхность опоры.



ВНИМАНИЕ. Материалы упаковки и прилегающая плёнка могут быть опасны.

Поэтому они должны быть сохранены в недоступном для детей месте и утилизированы с соблюдением действующих законов.

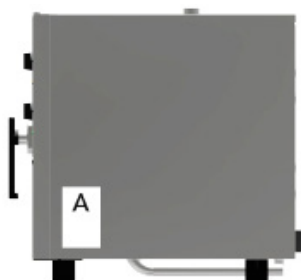
Необходимо отделить материалы упаковки (дерево, картон, пластмасса...) и избавиться от них отдельно, с соблюдением действующих на месте установки законов.

Примечание: удалить руками прилегающую плёнку, которая защищает части из нержавеющей стали, перед тем как привести в действие аппарат, избежать абразивных материалов и/или металлических предметов. Очистить возможные остатки клея, используя губку, пропитанную растворителем.

Если печь будет нагрета перед тем, как прилегающая плёнка убрана, удаление плёнки и чистка остатков клея окажутся трудными.

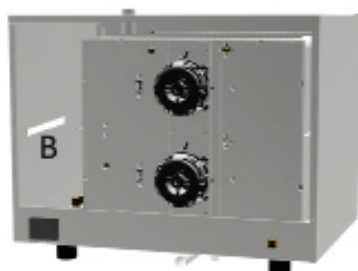
1.4 ИНФОРМАЦИОННЫЕ ТАБЛИЧКИ

На каждой печи имеются металлические таблички, которые дают важную информацию о особенностях печи, об электрическом и водопроводном соединении и возможно о соединении со сливом.



На правой боковой панели имеется табличка А. Эта табличка содержит следующую информацию:

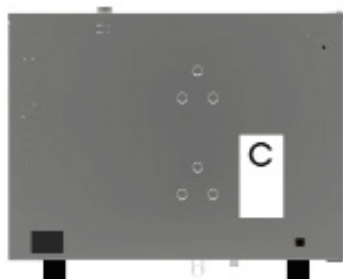
- Имя и адрес изготовителя
- Модель печи
- Степень защиты IPX от попадания жидкостей
- Соответствие директивам СЕ
- Потребляемую электрическую мощность и вид электрического питания (однофазное или трехфазное)
- Регистрационный номер печи
- Символ европейской директивы 2012/19/ЕС



Нужно снять правую боковую панель, чтобы увидеть табличку В.

На этой табличке повторяется регистрационный номер печи.

Таким образом пользователь и установщик могут узнать регистрационный номер печи в случае, когда табличка А грязная или повреждена.



Если печь снабжена системой ручного увлажнения, на задней части печи, около коннектора для подключения воды имеется табличка С.

Табличка С содержит характеристики воды, необходимые для корректного функционирования печи.

Те же характеристики содержатся в параграфе 2.5 настоящего пособия.

УСТАНОВКА

1.5 РАЗМЕЩЕНИЕ ПЕЧИ

Системы водоснабжения и электропитания должны соответствовать правилам установки и безопасности. Место, где печь будет установлена, должно отвечать следующим требованиям:

- находиться в защищенном от атмосферных явлений и проветриваемом месте
- соответствовать действующим правилам по безопасности на работе
- иметь температуру между 5 °С и 35 °С и уровень влажности не выше 70%

Установить печь по уровню, используя регулируемые ножки.

Печь должна иметь достаточный отступ от стены, чтобы этикетка эквипотенциального зажима была хорошо видна. Этот зажим должен быть доступен для подключения эквипотенциального кабеля после того, как печь была установлена в соответствии с настоящими инструкциями.

Установить аппарат в позицию, которая бы позволяла доступ к правой панели для операций установки, пользования и технического обслуживания.

1.6 ЭЛЕКТРИЧЕСКОЕ СОЕДИНЕНИЕ

Данный аппарат предназначен для работы под напряжением, указанным в табличке «характеристики», которая находится на правой боковой панели.

Оборудование должно быть подключено в эквипотенциальную систему в соответствии с действующим законодательством.

Соединение должно быть выполнено винтом, расположенным около кабельного ввода питания, обозначенного «**EQUIPOTENTIAL**».

Изготовитель не несет ответственности в случае, если это важное правило предотвращения несчастных случаев не соблюдается.

Если кабель питания поврежден, его необходимо заменить службой технической помощи или лицом с похожей квалификацией, чтобы предотвратить любой риск.

1.7 ТАБЛИЦА ТЕХНИЧЕСКИХ ДАННЫХ ЭЛЕКТРИЧЕСКОГО ПОДКЛЮЧЕНИЯ

Модель	Потребляемая мощность и напряжение	Кол-во и мощность двигателей	Мощность нагрева	Потребляемый ток	Сечение кабеля питания
4 x 2/3 GN	3.3 kW 220-240 В 1N ~ 50/60 Гц	1 x 240 Вт	3.0 кВт	14.0 А	кабель включён
4 x 460x340					
4 x 1/1 GN	3.3 kW 220-240 В 1N ~ 50/60 Гц	1 x 240 Вт	3.0 кВт	14.0 А	кабель включён
4 x 60x40	6.5 kW 380-415 В 3N ~ 50/60 Гц	2 x 240 Вт	6.0 кВт	11.0 А	5 x 2.5 мм ²
4 x 1/1 GN 4 x 60x40					
6 x 1/1 GN	7.9 kW 380-415 В 3N ~ 50/60 Гц	2 x 240 Вт	7.4 кВт	13.5 А	5 x 2.5 мм ²
6 x 60x40					
6 x 1/1 GN 6 x 60x40					
10 x 1/1 GN	11.9 kW 380-415 В 3N ~ 50/60 Гц	3 x 240 Вт	11.1 кВт	20.0 А	5 x 4.0 мм ²
10 x 60x40					
10 x 1/1 GN 10 x 60x40					

2.5 ВОДОПРОВОДНОЕ СОЕДИНЕНИЕ - ВХОД ВОДЫ

Печи имеют фитинг для входа воды, расположенный на задней панели аппарата. Всегда размещать отсекающий клапан с доступным управлением между прибором и сетью водоснабжения. Также рекомендуется установить картриджный фильтр на впускной трубопровод для воды.

Всегда использовать новый набор соединительных элементов, любые старые соединительные элементы не должны использоваться повторно.

Подключение всегда должно осуществляться холодной водой и посредством жестких труб.

Не использовать гибкие трубы для подключения печи к водопроводу.

Вода должна быть пригодна для потребления человеком и иметь следующие характеристики:

Температура: от 15 до 20 ° C

Общая жесткость: от 4 до 12 ° f (французские градусы)

Рекомендуется всегда устанавливать на входе декальцификатор, чтобы сохранять значение жесткости воды в пределах данных градусов. Работа печи с водой большей жесткости приводит к образованию известковых отложений на панелях рабочей камеры.

Давление: от 150 до 250 кПа (1,5-2,5 бар)

ВНИМАНИЕ: более высокие значения давления вызывают перерасход воды и могут привести к неправильной работе некоторых компонентов.

Концентрация хлорид-иона (Cl⁻): менее 150 мг/л

Концентрация хлора (Cl₂): менее 0,2 мг/л

pH: больше 7

Электропроводность: от 50 до 2000 мкс/см

Внимание: не допускается использование систем водоочистки с показателями, которые отличаются от указанных выше. Это приводит к недействительности гарантии. Любые дозирующие системы веществ для предотвращения образования отложений в трубах (например, дозаторы полифосфата), также запрещены, поскольку они могут привести к неправильной работе оборудования.

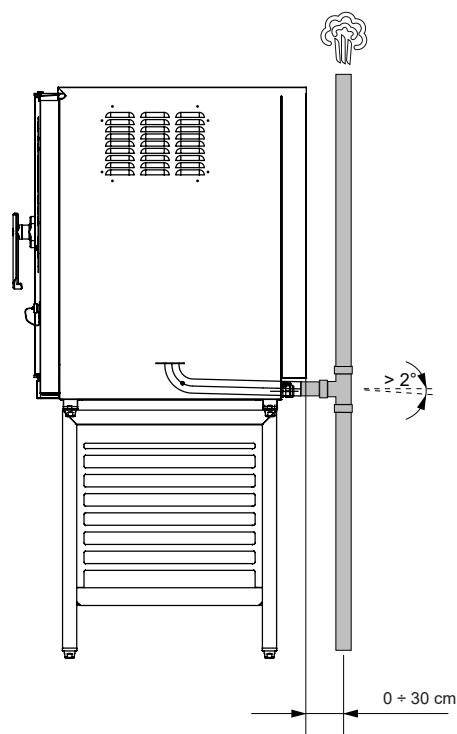
2.6 ВОДОПРОВОДНОЕ СОЕДИНЕНИЕ - СЛИВ ВОДЫ (мод. Инжекторного типа)

Печи имеют слив для воды, расположенный на задней панели аппарата; гидравлическое соединение должно быть выполнено непосредственно на конце выхлопной трубы из нержавеющей стали.

Слив должен быть без сифона и из жестких труб, которые можно использовать при температуре 110 °С.

Абсолютно необходимо, чтобы диаметр выхлопной трубы не уменьшился, и чтобы трубопровод находился под атмосферным давлением.

Любое засорение выхлопной трубы может вызвать утечку пара из двери и неприятные запахи в рабочей камере.



3.1 ЗАМЕНА ЧАСТЕЙ

Замена поврежденных частей должна выполняться только квалифицированным техническим персоналом. Чтобы запросить у изготовителя части, которые должны быть заменены, необходимо сообщить модель печи и серийный номер.

Эти данные находятся на таблице характеристик (см. Раздел 1.4).

Перед заменой запасных частей необходимо, по соображениям безопасности, отключить электрический защитный выключатель, закрыть отсекающий клапан воды, установленный на входе аппарата.

3.2 КОНТРОЛЬ ФУНКЦИЙ

После установки печи необходимо осуществить проверку герметичности водопроводных труб.

Установщик также должен проверить подходящими измерительными приборами, что воздушный шум соответствует уровню звукового давления A и меньше 70 дБ (A).



Этикетка ISO 3864-1 на изображении должна быть наклеена на видимую часть на высоте 1,6 м от земли.

В напольных моделях этикетка уже наклеена в правильном месте.

В настольных моделях этикетка поставляется с документацией печи и должна быть наклеена после установки на видимую часть прибора на расстоянии 1,60 м от земли. Установщик должен проверить правильную работу печи, предоставить клиенту необходимые инструкции и данное пособие по эксплуатации, которому пользователь должен строго следовать.

ВАЖНО:

Перед тем, как пользователь включит печь и будет использовать ее для любого процесса приготовления или очистки, установщик или квалифицированный специалист должны убедиться, что все соединения печи выполнены в соответствии с данной инструкцией.

Техник или установщик должен убедиться, что:

- печь находится в горизонтальном положении и опирается на опору или полку, которые обеспечивают ее стабильность
- электрическое соединение выполнено в соответствии с законодательством и что сечение кабелей питания не ниже указанного в пособии
- давление и жесткость воды, питающей печь, соответствуют значениям, указанным в данном пособии
- если печь оборудована сливом, убедиться, что он правильно подключен и что используемые материалы подходят для рабочих температур

После проверок можно открыть отсекающие клапаны воды и электрический защитный выключатель, установленные на входе аппарата. Установщик должен проверить правильную работу печи и предоставить пользователю инструкции, необходимые для правильного использования, а также убедиться, что пользователю была предоставлена копия данного пособия.

Наконец установщик должен заполнить и подписать бланк проверки по правильной установке и оставить его клиенту, который должен хранить его, по крайней мере, в течение гарантийного срока печи.

ПОЛЬЗОВАНИЕ И ТЕХНИЧЕСКОЕ ОБСЛУЖИВАНИЕ

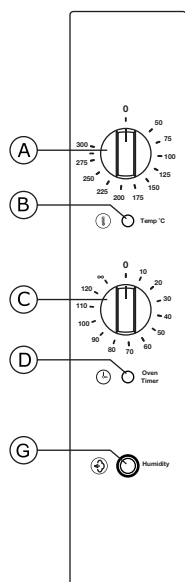
ПРАВИЛА БЕЗОПАСНОГО ПОЛЬЗОВАНИЯ ПЕЧИ

- Убедиться, что печь находится в стабильном положении и что защитные устройства, установленные на входе аппарата, эффективно работают
- Всегда использовать подходящие защитные перчатки, чтобы ставить и вытаскивать противни
- Всегда уделять большое внимание полу, который может быть скользким из-за пара, образующегося во время приготовления
- Во избежание ожогов не использовать противни и сосуды с жидкостями на верхних уровнях, а только на тех, которые можно легко видеть
- Не класть противни и другую кухонную утварь на печь
- Периодически проводить техническую проверку и заменять любые поврежденные части, которые могут изменить правильное функционирование печи или быть опасными
- Часто чистить печь, следуя данной инструкции

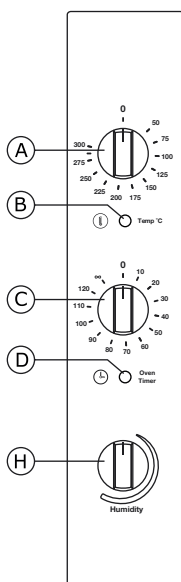
МАКСИМАЛЬНАЯ НАГРУЗКА ПРОДУКТОВ

Кол-во противней	Максимальная нагрузка
4 x 2/3 GN - 4 x 460x340	8 кг
4 x 1/1 GN - 60x40	13 кг
6 x 1/1 GN - 60x40	18 кг
10 x 1/1 GN - 60x40	30 кг

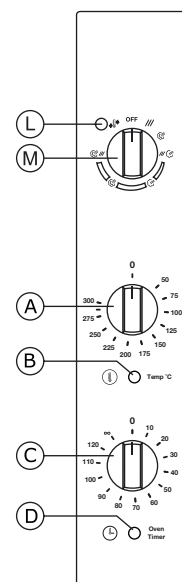
4.1 ОПИСАНИЕ КОМПОНЕНТОВ ПАНЕЛИ УПРАВЛЕНИЯ



Конвекция и увлажнение



Конвекция и пар



Инжекторный тип

- A** Термостат рабочей камеры. Температурный диапазон 50 - 270 °C
- B** Лампочка нагрева рабочей камеры
- C** Таймер. От 0 до 120 минут или непрерывная работа
- D** Лампочка включения таймера
- G** Кнопка ручного увлажнения (Модели конвекция и увлажнение)
- H** Регулировка пара (Модели конвекция и пар)
- L** Переключатель циклов
- M** Лампочка включения печи

4.5 ЗАПУСК ПЕЧИ

Включить электрический защитный выключатель, установленный на входе аппарата, открыть клапан подачи воды, если печь имеет систему ручного увлажнения.

Выбрать время приготовления на таймере (C), которое регулируется в пределах 120 минут.

Для непрерывной работы печи выбрать позицию ∞.

Включение таймера при закрытой двери начинает цикл приготовления, активируются вентиляторы и нагрев. По окончании заданного времени акустический сигнал извещает об окончании приготовления, все функции выключаются. При выборе времени приготовления следует взять в расчет время разогрева печи. Это хорошее правило, которое нужно применять, прежде чем установить пищу в рабочую камеру.

4.6 ВЫКЛЮЧЕНИЕ ПЕЧИ

Печь выключается, устанавливая ручку селектора циклов в положении 0.

9.0 ТЕХНИЧЕСКОЕ ОБСЛУЖИВАНИЕ

Перед проведением любой работы по техническому обслуживанию необходимо выключить электрический защитный выключатель и закрыть отсекающий клапан воды, установленные на входе аппарата.

Очистка печи должна производиться в конце каждого рабочего дня, используя только подходящие для этой цели средства. Внешние детали из нержавеющей стали необходимо:

- 1- чистить теплой мыльной водой
- 2- промыть водой
- 3- тщательно вытереть

Не использовать скребки, металлические стружки и обычные стальные инструменты, так как они не только повреждают поверхность, но и могут оставить частицы железа, которые окисляются и вызывают образование ржавчины.

НЕ МЫТЬ АППАРАТ СТРУЯМИ. ДЛЯ ОЧИСТКИ НЕРЖАВЕЮЩЕЙ СТАЛИ НЕ ИСПОЛЬЗОВАТЬ СРЕДСТВА НА ОСНОВЕ ХЛОРА (ОТБЕЛИВАТЕЛЬ, СОЛЯНАЯ КИСЛОТА), ДАЖЕ РАСТВОРЁННЫЕ В ВОДЕ.

Рабочая камера печи должна быть очищена от остатков пищи и жиров после каждого процесса приготовления.

Для мытья камеры следует использовать обезжиривающее средство, пригодное для очистки нержавеющей стали, типа спрея, который позволяет покрыть всю поверхность аппарата, особенно воздухонаправляющие элементы.

Вентиляторы должны быть постоянно очищены, чтобы предотвратить накопление остатков жира на лопастях, из-за чего скорость вращения двигателя уменьшается, расход воздуха снижается, а также возникают опасные механические нагрузки на двигатель.

В течение длительных периодов бездействия аппарата следовать следующей процедуре:

- 1- Отключить электрический защитный выключатель
- 2- Закрыть отсекающий клапан воды (установленный на входе аппарата)
- 3- Оставить дверь полузакрытой для циркуляции воздуха, чтобы избежать образования неприятных запахов
- 4- Смазать все поверхности из нержавеющей стали тряпкой, пропитанной вазелиновым маслом

9.1 ЧТО ДЕЛАТЬ В СЛУЧАЕ ПОВРЕЖДЕНИЯ И/ИЛИ ПРОДОЛЖИТЕЛЬНОГО ПРОСТОЯ

В случае неисправности, повреждения или вмешательства предохранительного термостата необходимо выключить аппарат, отключить источники электропитания и водоснабжения, а также уведомить службу технической помощи.

Все работы по установке, техническому обслуживанию и ремонту должны выполняться только квалифицированным и авторизованным персоналом.

10.1 КАК ИСПРАВИТЬ АНОМАЛИИ ПРИГОТОВЛЕНИЯ БЛЮД

Если приготовление не равномерное:

Убедитесь, что пространство между пищей и вышележащим противнем составляет не менее 3 см. Более низкие значения не обеспечивают правильную вентиляцию продукта. Убедитесь, что пища не соприкасается, это обеспечивает правильную вентиляцию между продуктами. Температура приготовления может быть слишком высокой. Попробовать более низкие значения.

Если еда выглядит сухой:

Время приготовления должно быть уменьшено. Температура должна быть снижена. Напоминаем, что чем ниже температура приготовления, тем ниже будет потеря веса.

Пищу, которую нужно приготовить, ранее не смазали соответствующими маслами или соусами.

