



G 510 HC

LIST OF THE EXPLODED VIEWS



SHELL ASSY

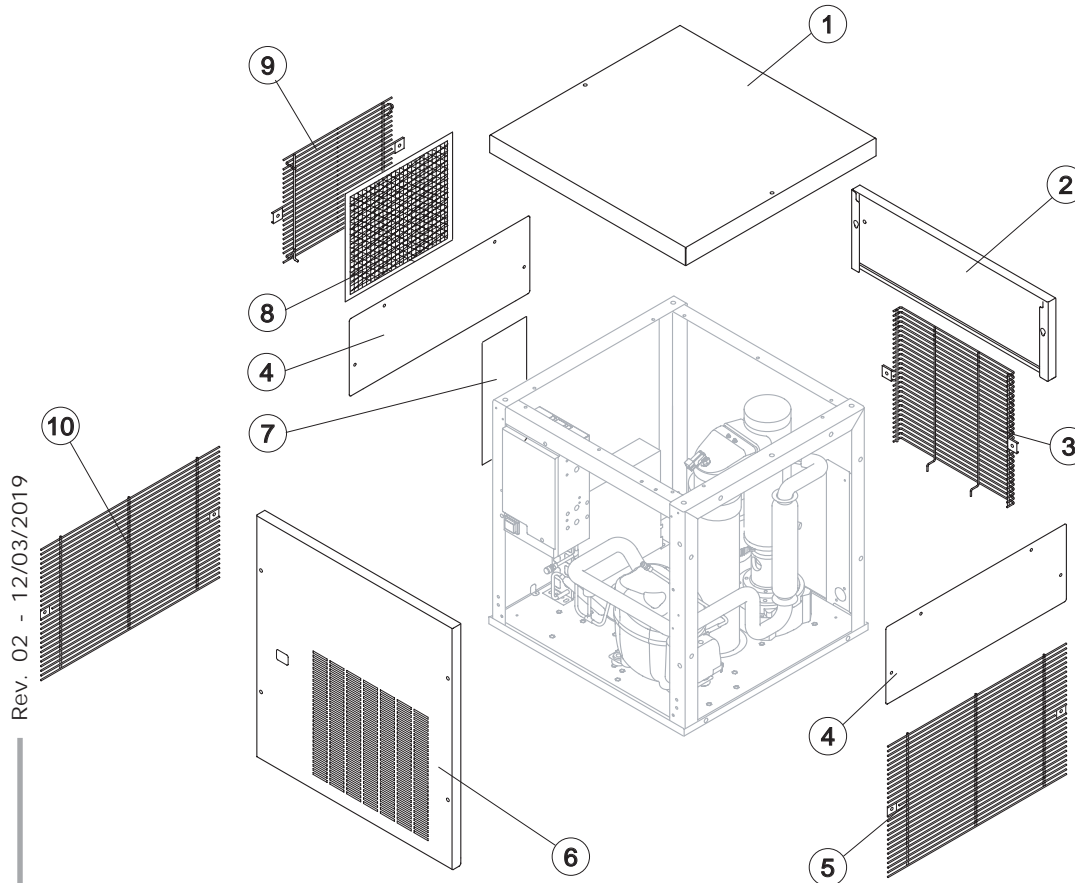
COOLING SYSTEM

EVAPORATOR

HYDRAULIC CIRCUIT

ELECTRIC PARTS

Rev. 02 - 12/03/2019



Rev. 02 - 12/03/2019

Common Parts

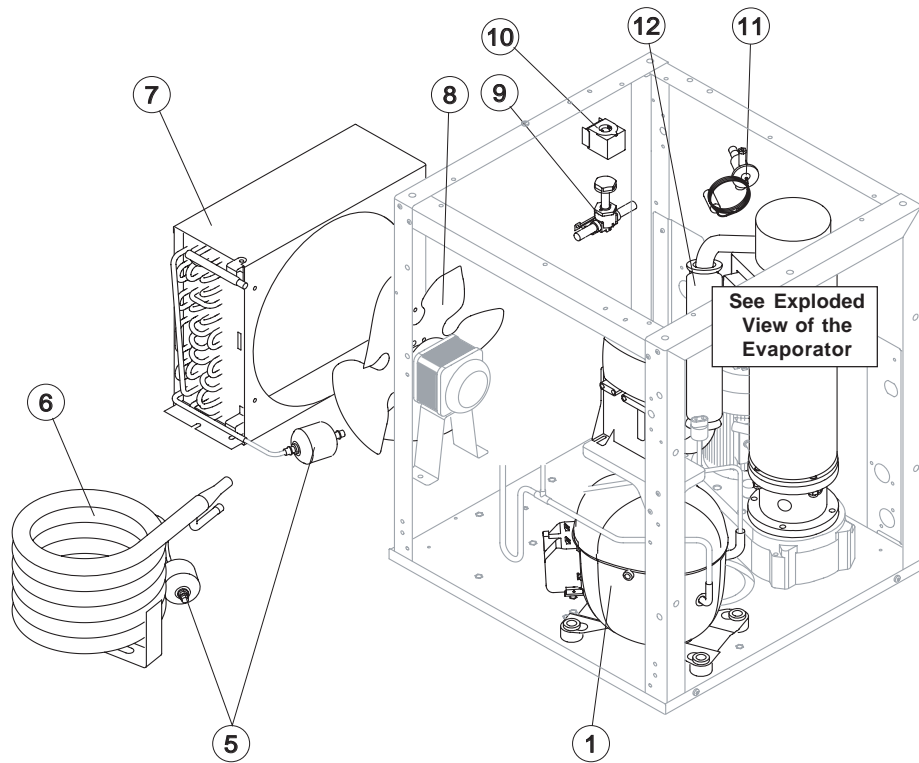
Ref.	Spare Description	Code
1	Top	221518
2	Back Panel	221513
3	Back Grill	D12091
4	Side Panel	221515
5	Right Side Grill	D12092
6	Front Panel	221511

Parts for Air-Cooled Version Only

Ref.	Spare Description	Code
7	Lower Left Side Panel	221517
8*	Filter	18246
9	Left Side Grill	D12093

Parts for Water-Cooled Version Only

Ref.	Spare Description	Code
10	Left Side Grill	D12092



Common Parts

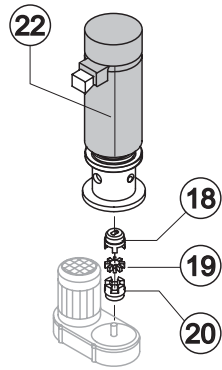
Ref.	Spare Description	Code
1	Compressor	231181
5*	Molecular Drier	141003
9	Hot gas valve body	201129
10	Hot gas valve coil	231294
11	Expansion Valve	201154
12	Suctin Line	for the spare parts code give us the s/n.

Parts for Air-Cooled Version Only

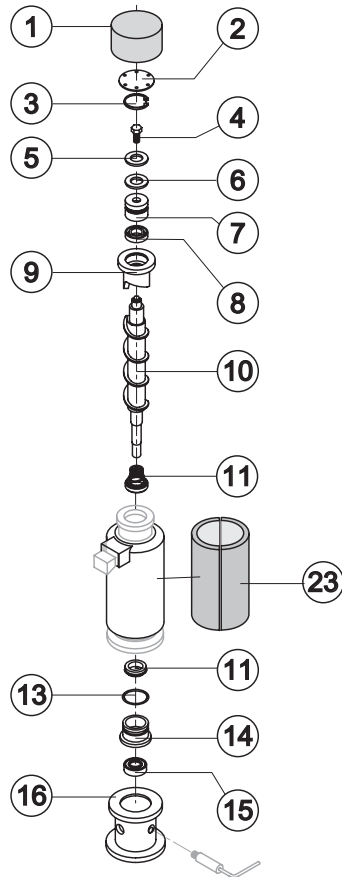
Ref.	Spare Description	Code
7	Air Condenser	Current Version 201224
7	Air Condenser	Till s/n. 879330 201132
8	Sucking Fan	20407

Parts for Water-Cooled Version Only

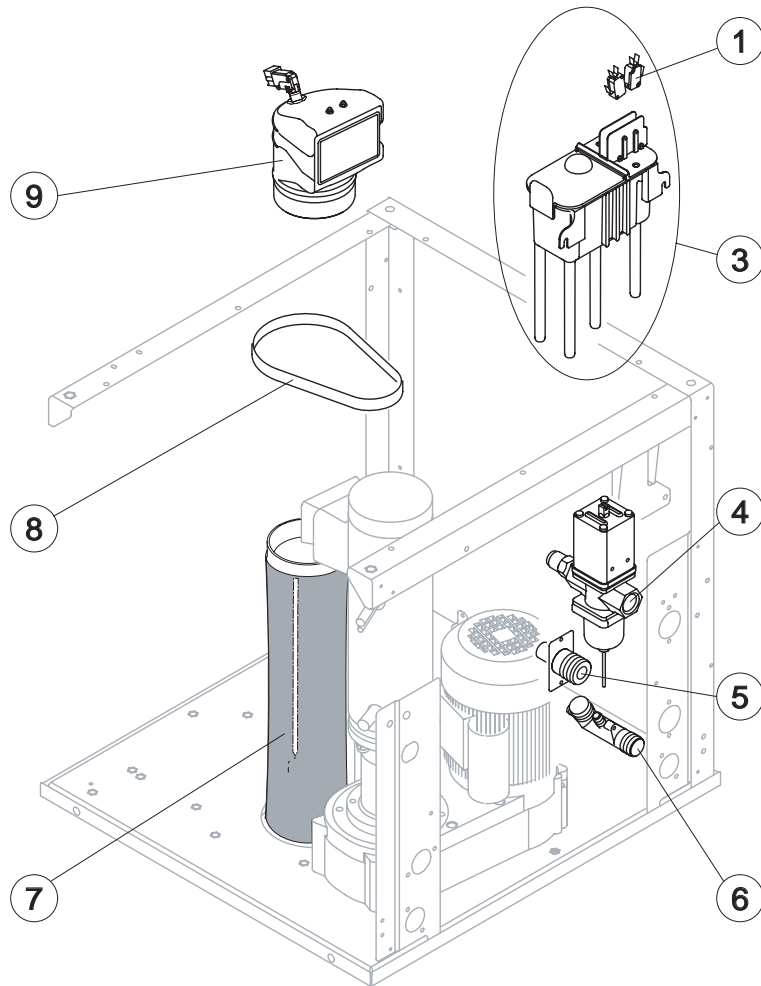
Ref.	Spare Description	Code
6	Water Condenser	14374
8	Sucking Fan	10213



C11113



Ref.	Spare Description	Code
1	Insulating Cap	18165
2	Closing Disk	22670
3	Seeger	20116
4	Stainless Steel Screw	20664
5	Shimming Disk	22829
6	Self-Lubricating Disk	20639
7	Stainless Steel Thrust Bearing	20685
8	OR Gasket 4137	20689
9	Ice Breaker	201231
10	Auger	20780
11	Ceramic Seal	20643
13	OR Gasket 3218 NBR	20205
14	Reduction Ring	20647
15	Stainless Steel Bearing	20113
16	Flange	20644
18	Semi-Joint Upper	D20642
19	Vibration-Damping Elastomer	20494
20	Semi-Joint Lower	D20493
22	Evaporator Assy	C11113
23	Insulating Cap	18181



Common Parts

Ref.	Spare Description	Code
1	Microswitch	23055
3*	Double Switch Basin Assembly	C10686
6	Discharges Manifold	10579
7	Ice Outlet Pipe with Bin Bulb Holder	C10657
8	Locking Exhaust Strip	25049
9*	Ice Exhaust with micro Assy	C10585

Parts for Water-Cooled Version Only

Ref.	Spare Description	Code
4	Water regulating valve assembly	R20210
5	Drain manifold	20984



Common Parts

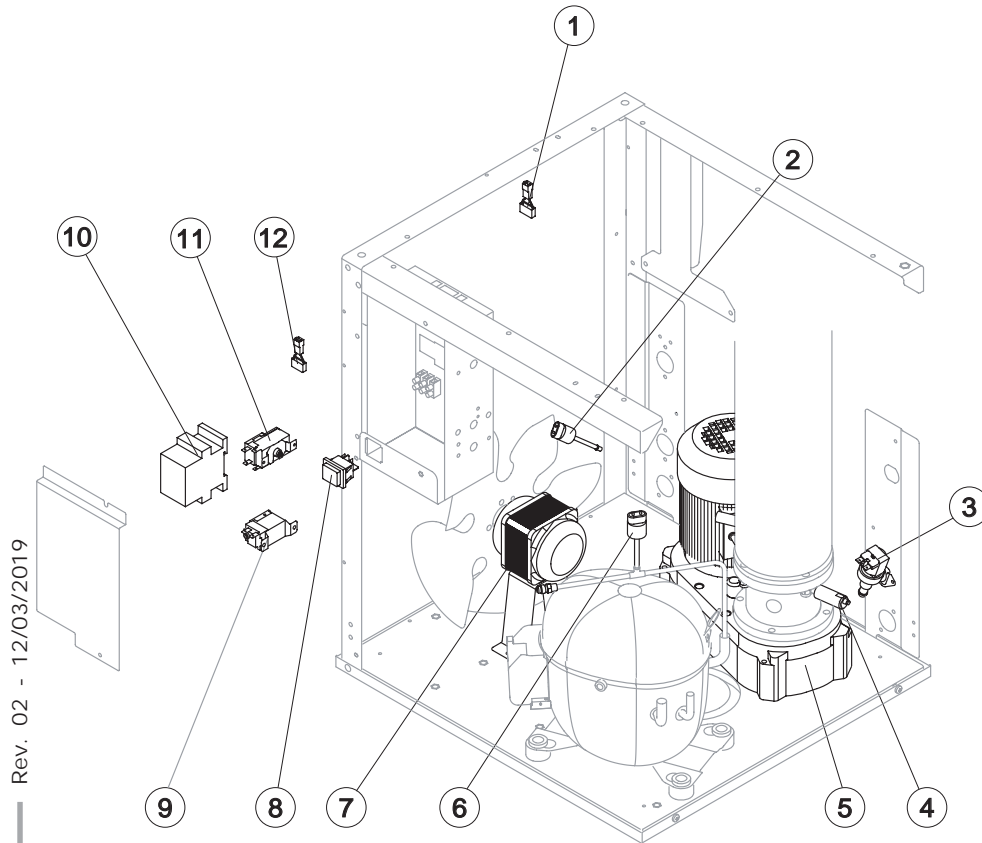
Ref.	Spare Description	Code
1	Anti Radio Interference Filter	C23457
2	Safety Pressure-Switch (H.P.)	231142
3*	1 Way- Water Inlet Valve	23115
4	Rotation Sensor	231028
5	Gearmotor	23638
6	Low Pressure Safety Switch	231124
8*	Green Light Switch (On-Off)	23327
10	Contactors	23147
11*	Bin Thermostat	R231035

Parts for Air-Cooled Version Only

Ref.	Spare Description	Code
7*	Fan Motor	23121
9*	Fan cycle switch	231123
12	Anti Radio Interference Filter	C23459

Parts for Water-Cooled Version Only

Ref.	Spare Description	Code
7*	Fan Motor	231041



Rev. 02 - 12/03/2019