

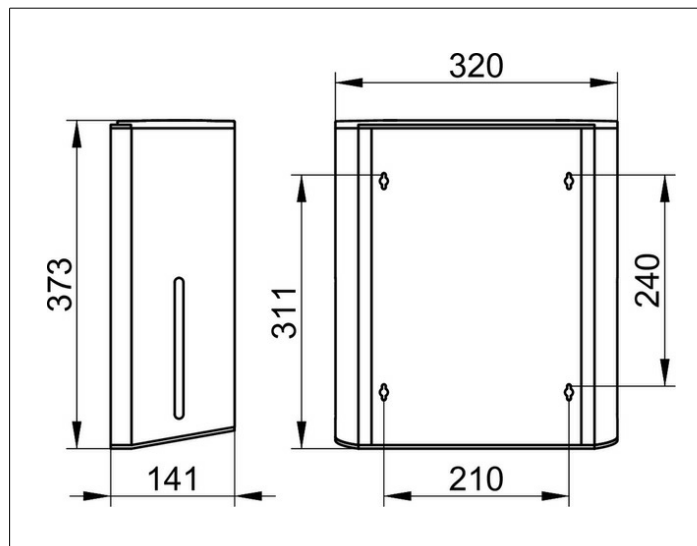
Plan

14985010000 Дозатор бумажных полотенец

ИЗДЕЛИЕ



ЧЕРТЕЖ



ПОВЕРХНОСТЬ

хром

СПЕЦИФИКАЦИИ

KEUCO PLAN paper towel dispenser 14985010000
chrome-plated paper towel dispenser, wall mounted model for installation in the public domain
for folded paper towels, length from 9-8/16 up to 10", width from 3-15/16" up to 4-6/8",
height 14-9/16", width 12-5/8", projection 5-9/16",
The paper towel dispenser is fitted with 4 hidden fixing points
incl. corrosion-free mounting material