



SHELL ASSY

COOLING SYSTEM

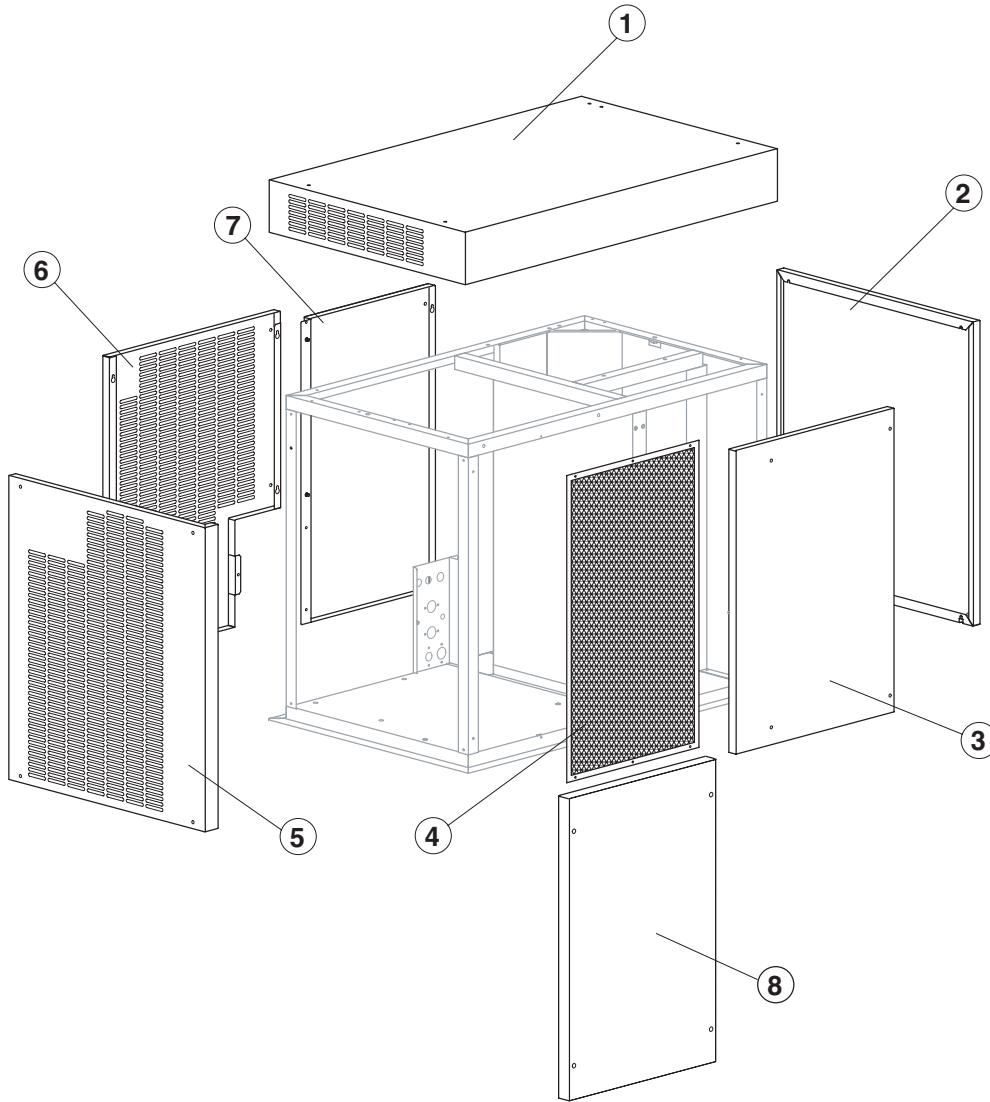
EVAPORATOR

PUMP

ELECTRIC PARTS



Rev. 7 - 19/02/2015



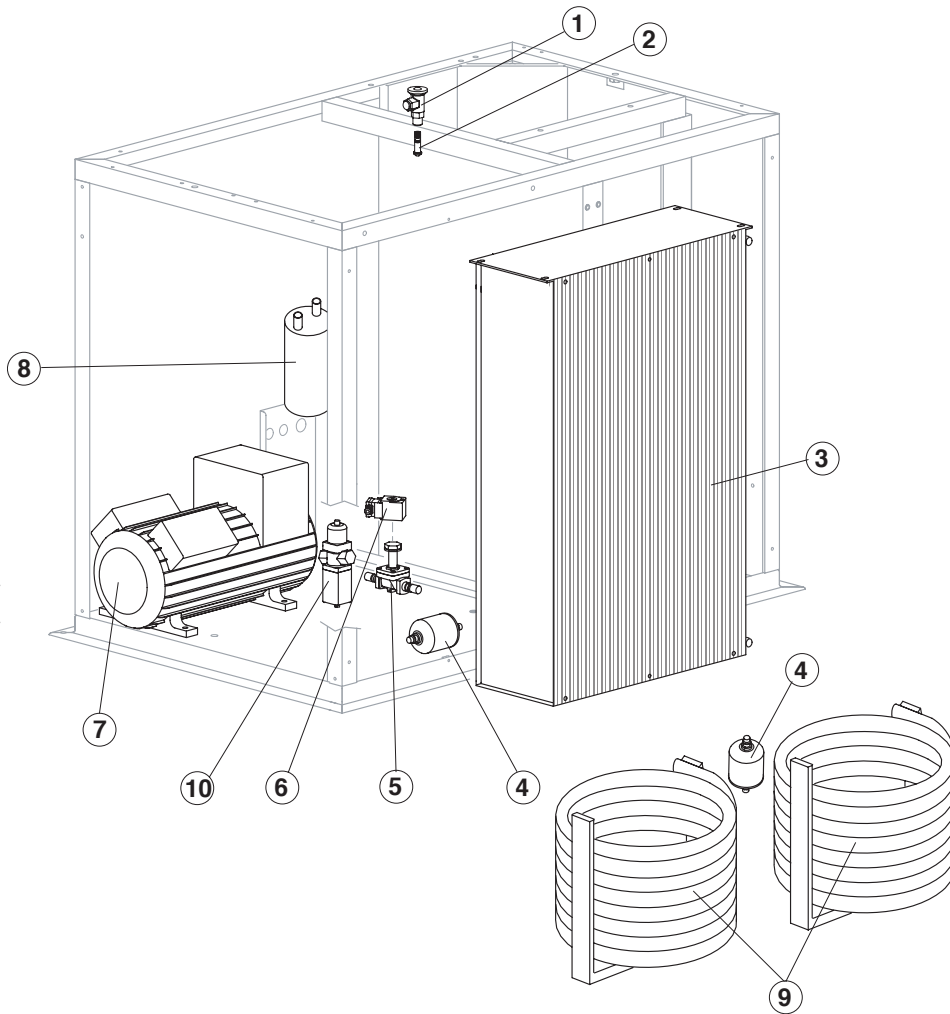
<i>Ref.</i>	<i>Spare Description</i>	<i>Code</i>
1	Top Assembly	C22449
2	Right Side Panel	221051
3	Front Panel Assy (Evaporator Side)	221052
5	Left Side Panel	221050
6	Rear Panel (Group Side)	221054
7	Rear Panel (Evaporator Side)	221053

Parts for Air-Cooled Version Only

<i>Ref.</i>	<i>Spare Description</i>	<i>Code</i>
4*	Filter	18192

Parts for Water-Cooled Version Only

<i>Ref.</i>	<i>Spare Description</i>	<i>Code</i>
8	Front Panel (Evaporator Side)	221102



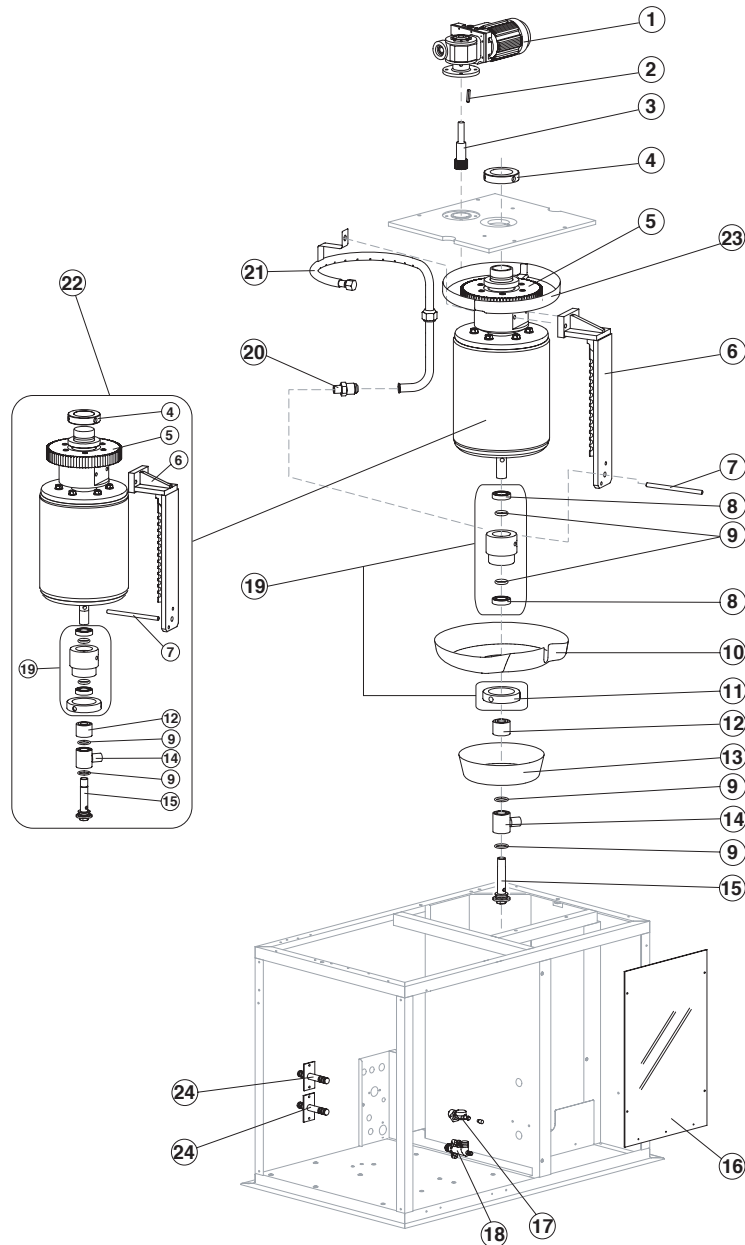
Ref.	Spare Description	Code
1	Expansion Valve	20826
2	Orifice	Current Version 20945
2	Orifice	Till s/n. 472347 20833
4*	Solid Core drier	14255
5*	Hot Gas Valve Body	20409
6*	Hot Gas Valve Coil	23091
7	Compressor	Current Version 231111
7	Compressor	Till s/n. 710391 23863
8	Liquid Separetor	20883

Parts for Air-Cooled Version Only

Ref.	Spare Description	Code
3	Air Condenser	20830

Parts for Water-Cooled Version Only

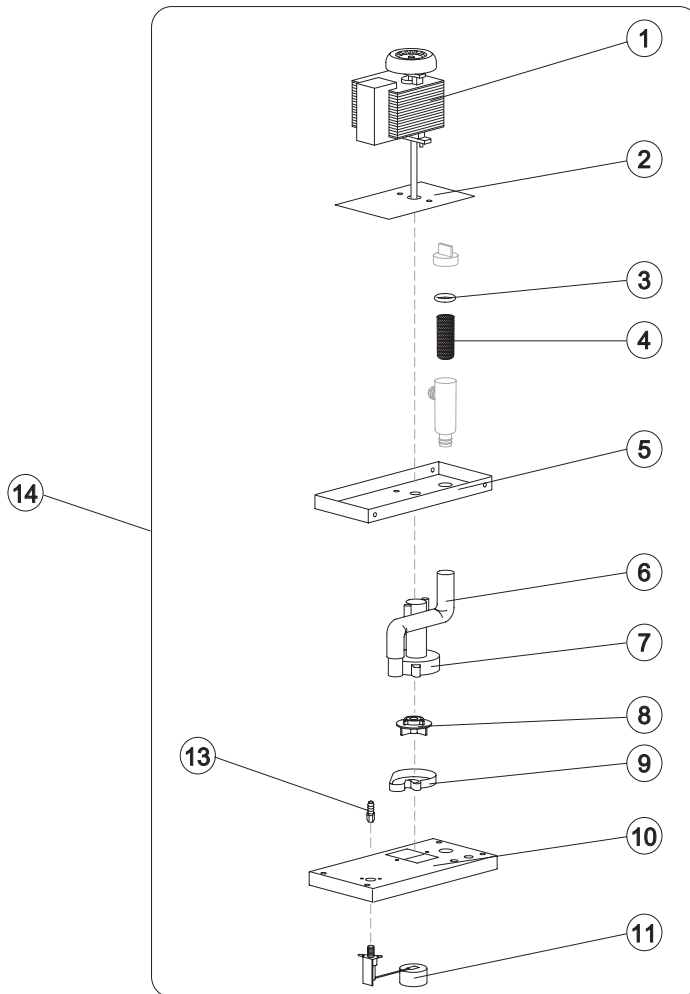
Ref.	Spare Description	Code
9	Water Condenser	14617
10	Pressostatic Valve	20149



Ref.	Spare Description	Code
1	Gearmotor Ass	C23412
2	Key 6x6x40	20350
3	Pinion with Shaft for Gearmotor	C20344
4	Cylinder Locking Ring Nut	20365
5	Ring Gear	20363
6	Scraper	20873
7	M10 Tie Rod (to Block Scraper)	20874
8	Stainless Steel Upper Bearin	20045
9	Silicone OR 4081 Ring	20338
10	Rotating Basin	10191
11	Ring Nut for Rotating Ring	10194
12	Spacer	10528
13	Fixed Basin	C10599
14	Water Inlet Ring	20851
15	Screw	20872
16	Evaporator Chamber Shield	10536
17	1 Way- Water Inlet Nipple	10239
18	Discharges Manifold	10580
19	Complete Rotating Ring	C10193
20	Joint	20367
21	Sprayer Ring	C20882
22	Evaporator	C11151
23	Ring Gear Cover	From s/n. 557506 C10631

Parts for Water-Cooled Version Only

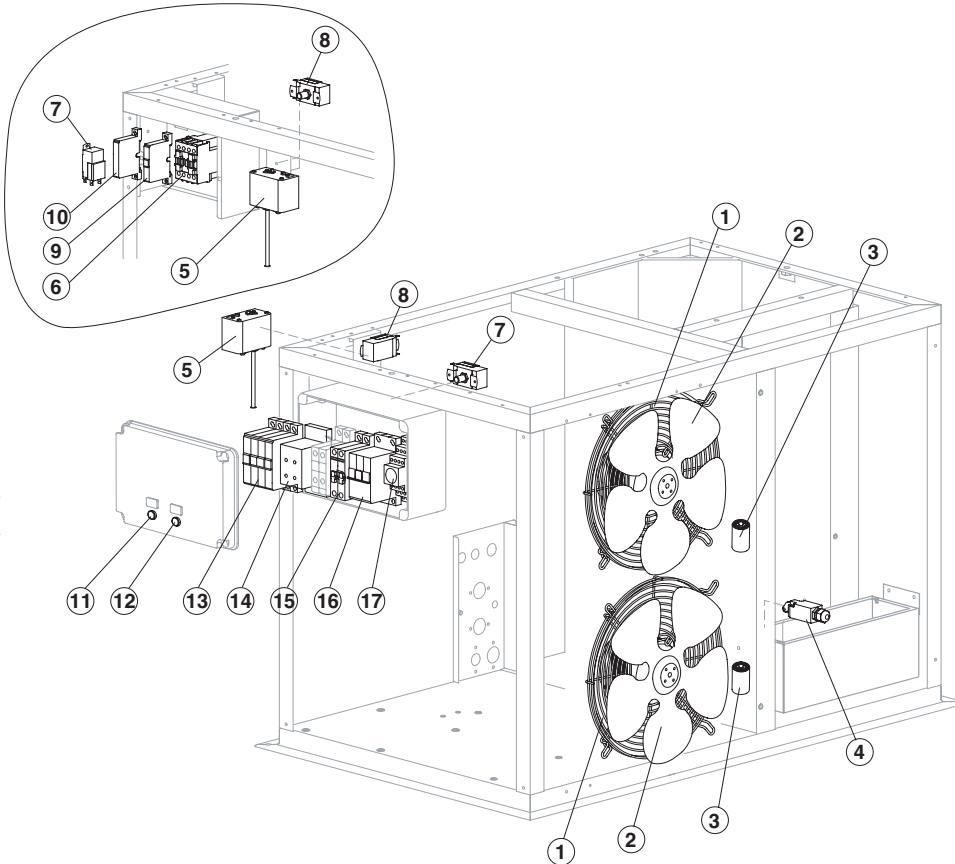
Ref.	Spare Description	Code
24	Connection with Plate	C20462



Ref.	Spare Description	Code
1	Pump	23600
2	Heat Dissipator	22430
3	Pump Filter Gasket	13080
4	Filtering Element	20254
5	Pump Motor Support	10161
6	Pump-Filter Connection Pipe	13084
7	Pump Body	10065
8	Pump Impeller	10066
9	Diffusor	10067
10	Water Pump Basin Cover	22420
11*	Floating Valve	10188
13	Connection	20799
14*	Pump and Filter Assy	C26732



Till s/n. 715654



Ref.	Spare Description	Code	
1	Fan Motor Grid	12053	
2*	Fan Motor	23468	
3*	5 μ F Capacitor	23469	
4	Microswitch for Overflow Ice	23746	
5	Safety Pressure Switch (Low Pressure)	Till s/n. 715654	23763
6*	Contactor	Till s/n. 715654	23398
7*	Bin Thermostat	Till s/n. 715654	R23005
8	Safety Pressure Switch (High Pressure)	Till s/n. 715654	23342
9	Thermomagnetic circuit breaker	Till s/n. 715654	23910
10	Electronic Delay Timer	From s/n. 516478 - Till s/n. 715654	231033
11	Indicator Lamp (green)		231191
12	Indicator Lamp (red)		231192
13	Thermo-magnetic Circuit Breaker		231193
14	Voltage Control Relay		23903
15	Contactor		231194
16	Residual Current Circuit Breaker		231187
17	Delayer		231190