

# Incubator (Natural Convection, Air Jacket)

Programmable

## IS401/601/801/901

Operating temp. range RT+5°C~80°C

Temp. distribution accuracy ±1.0°C (at 37°C)

Internal capacity 97L IS401 159L IS601 318L IS801 567L IS901

### Natural convection incubators equipped with various functions.

- Air-jacket method makes it possible to obtain uniform temperature distribution.
- Fixed temperature, Quick auto stop, Auto stop, Auto start, Program functions are available.
- Program function: 3 segments, 30 steps.
- Samples can be observed through the inner door.
- Safety device includes self-diagnosis, key lock and overcurrent breaker functions.
- Various optional system upgrade such as external communication terminal and time up output terminal.
- Models IS401/601 stackable.
- Operation before power failure can be resumed.



(Stand optional)

### Specifications

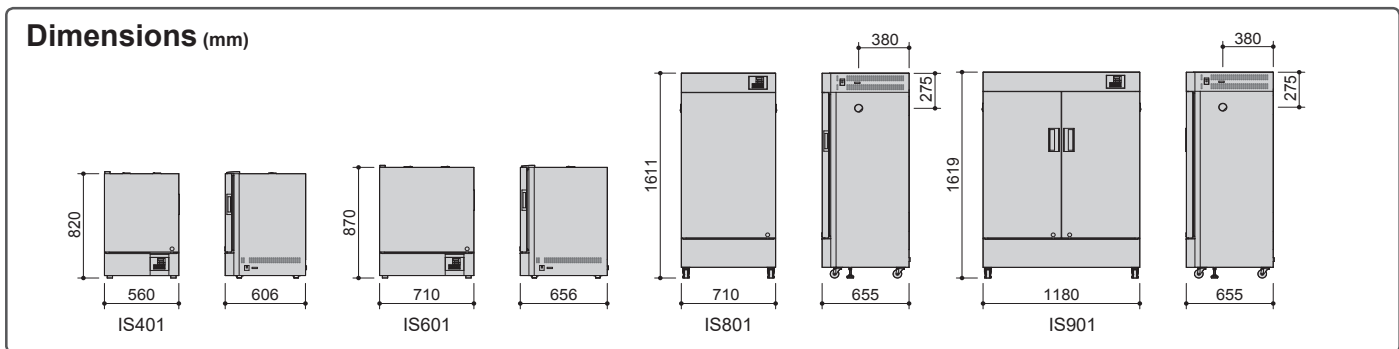
Model	IS401	IS601	IS801	IS901
System	Natural convection by air jacket			
Operating temperature range	RT+5°C~+80°C			
Temp. control accuracy	±0.2°C (at 37°C)			
Temp. fluctuation	±0.4°C (at 37°C)			
Temp. distribution accuracy	±1.0°C (at 37°C)			
Temp. gradient	2.0°C (at 37°C)			
Time required to reach 60°C	Approx. 70min		Approx. 90min	
Interior material	Stainless steel			
Exterior material	Cold rolled steel plate with melamine resin baking finish			
Heat insulating material	Glass wool			
Heater	Iron-chrome wire heater			
	0.3kW	0.36kW	0.73kW	1.2kW
Exhaust port	30 mm I.D. ×2 pcs (on the top)		30 mm I.D. ×2 pcs (side)	
Inner door	5mm thickness reinforced glass			
Temp. controller	PID control by microprocessor			
Temp. setting method	Digital setting with key			
Temp display method	Digital display by LED			
Timer	1 min. to 99 hrs. 59 min. and 100 hrs. to 999 hrs.			
Min. division	1 min. or 10 min.			
Operation function	Fixed temperature operation, Quick auto-stop, Auto-stop, Auto-start operation Program operation 3 patterns, 30 steps, Repeat function.			
Additional functions	Calibration offset, Key lock, Power failure compensation			
Heater circuit control	SSR drive			
Temp. sensor	Pt100 / K thermocouple			
Safety device	Self diagnosis functions (Temp. sensor abnormal, Heater disconnection, Triac short circuit, Automatic overheat prevention), Key lock function, Over current breaker, Resume function.			
Internal dimensions	450×480×450	600×530×500	600×530×1,000	600×530×1,000
External dimensions	560×606×820	710×656×870	710×655×1,611	1,180×655×1,619
Internal capacity	97L	159L	318L	567L
Shelf plate load	Approx. 15 kg/piece			
Shelf rest step number	11 steps	13 steps	29 steps	29 steps
Shelf rest pitch	30 mm			
Power source (50/60Hz)	AC115V / AC220V Single phase			
Weight	Approx. 55 kg	Approx. 65 kg	Approx. 65 kg	Approx. 166 kg
Accessories	Shelf plate/bracket	Stainless steel, 2 pcs./ 4 pcs.	Stainless steel, 3 pcs./ 6 pcs.	Stainless steel, 5 pcs./10 pcs.
		Stainless steel, 10 pcs./ 20 pcs.		



**Optional items**

Description	Model	Product code
Stand	for IS401/IS601	ON61 211856
Stacking support	for IS401	OD40 212822
Stacking support	for IS601	OD60 212823
Stainless punching metal shelf (Loading up to 15kg/shelf)	for IS401	- 212246
Stainless punching metal shelf (Loading up to 15kg/shelf)	for IS601/IS801	- 212266
Stainless punching metal shelf (Loading up to 15kg/shelf)	for IS901	- 212371
*Cable port, 25mm dia	for IS401/IS601/IS801/IS901	- 281121
*Cable port, 50mm dia	for IS401/IS601/IS801/IS901	- 281122
*External communication terminal (RS485)	for IS401/IS601/IS801/IS901	- 212575
*External Communication Adapter (Changeable to RS232C)	for IS401/IS601/IS801/IS901	- 281388
*External alarm terminal	for IS401	- 212578
*External alarm terminal	for IS601	- 212961
*External alarm terminal	for IS801	- 212964
*External alarm terminal	for IS901	- 212967
*Time-up output terminal	for IS401	- 212579
*Time-up output terminal	for IS601	- 212962
*Time-up output terminal	for IS801	- 212965
*Time-up output terminal	for IS901	- 212968
*Temperature output terminal	for IS401	- 212588
*Temperature output terminal	for IS601	- 212963
*Temperature output terminal	for IS801	- 212966
*Temperature output terminal	for IS901	- 212969

\* Please specify when ordering main unit.



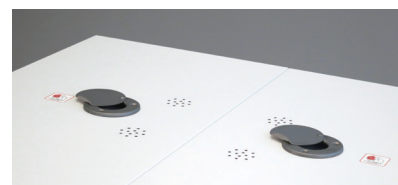
**Control Panel**



**Interior (IS901)**



**Exhaust port (IS401/601)**



**Shelf & Bracket Set**

