



VACUUM SEALER SE-310

Tabletop model. 10 m³/h. 320 mm.



INCLUDES

- ✓ Sensor Controls
- ✓ Up to 10 seconds of extra vacuum pull
- ✓ Soft air function
- ✓ Dry oil cycle
- ✓ BUSCH pump
- ✓ NSF Approved
- ✓ Clear methacrylate lid
- ✓ Filling plate

ACCESSORIES

- Filling plates
- Liquid insert plates
- Vac-norm external vacuum kits
- Vac-norm containers
- Smooth bags for vacuum packing

SALES DESCRIPTION

320 mm. sealing bar.
 10 m³/h Busch vacuum pump.
 Vacuum controlled by sensor.

- ✓ Powered by Busch.
- ✓ Vacuum controlled by sensor.
- ✓ Vacuum PLUS.
- ✓ Digital keyboard.
- ✓ Control panel equipped with display indicating the exact vacuum percentage.
- ✓ "Pause" button to marinate food.
- ✓ Safe liquid packing thanks to sensor control.
- ✓ Double seal.
- ✓ Cordless sealing bar.
- ✓ Bag-sealing programme.
- ✓ Pulse-controlled decompression.
- ✓ Vac-Norm ready with Automatic decompression.
- ✓ Stainless steel body and chamber. Deep-drawn chamber.
- ✓ Damped transparent lid of highly durable polycarbonate.
- ✓ Dry-oil programme for drying the pump.
- ✓ Working hours counter for oil changes.
- ✓ Safety system with protection against vacuum failure.
- ✓ NSF-listed model.



sammic | www.sammic.com
Food Service Equipment Manufacturer

Polígono Basarte, 1. phone +34 943 15 72 36
 20720 Azkoitia, Spain sales@sammic.com



Project	Date
Item	Qty
Approved	

FOOD PRESERVATION AND SOUS-VIDE
 VACUUM PACKING MACHINES - "SENSOR" LINE

product sheet
 updated 11/01/2021



VACUUM SEALER SE-310

Tabletop model. 10 m³/h. 320 mm.



SPECIFICATIONS

Pump capacity: 10 m³/h
 Pump capacity (60 Hz): 12 m³/h
 Bar length: 320 mm
 Total loading: 370 W
 Vacuum pressure (maximum): 2 mbar

Internal dimensions

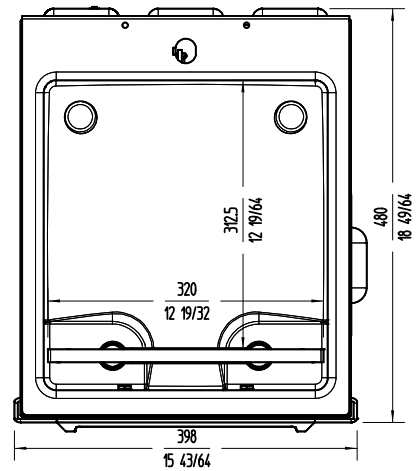
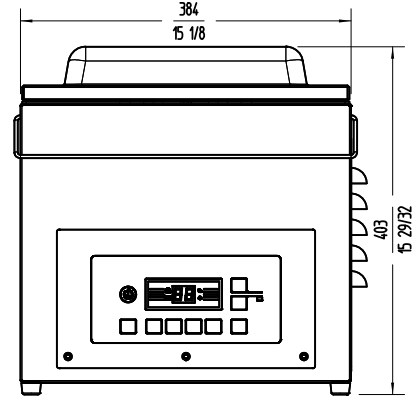
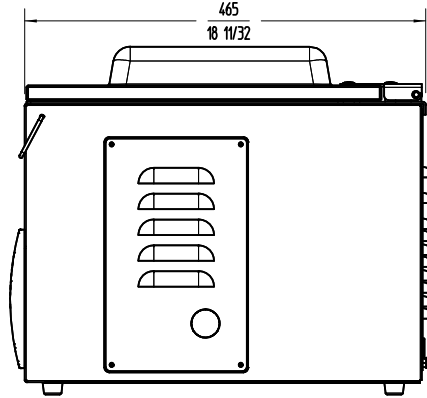
- ✓ Width: 330 mm
- ✓ Depth: 360 mm
- ✓ Height: 155 mm

External dimensions (WxDxH)

- ✓ Width: 384 mm
 - ✓ Depth: 465 mm
 - ✓ Height: 403 mm
- Net weight: 39.5 Kg
 Noise level (1m.): 75 dB(A)
 Background noise: 32 dB(A)

Crated dimensions

460 x 530 x 460 mm
 Gross weight: 44.3 Kg.



AVAILABLE MODELS

- 1140628 Vacuum packing machine SE-310 230/50-60/1
- 1140629 Vacuum packing machine SE-310 120/50-60/1
- 1140640 Vacuum packing machine SE-310 230/50-60/1 AUS

* Ask for special versions availability

sammic www.sammic.com Food Service Equipment Manufacturer Polígono Basarte, 1. phone +34 943 15 72 36 20720 Azkoitia, Spain sales@sammic.com		Project	Date
		Item	Qty
		Approved	

FOOD PRESERVATION AND SOUS-VIDE
 VACUUM PACKING MACHINES - "SENSOR" LINE

product sheet
 updated 11/01/2021