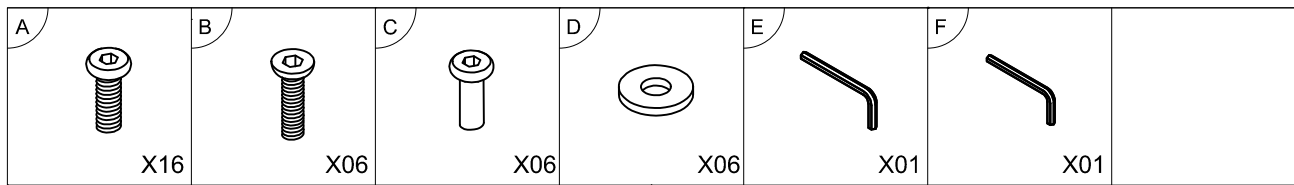
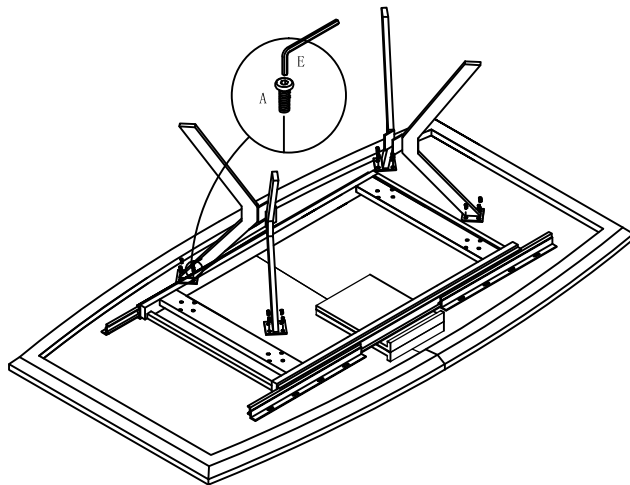


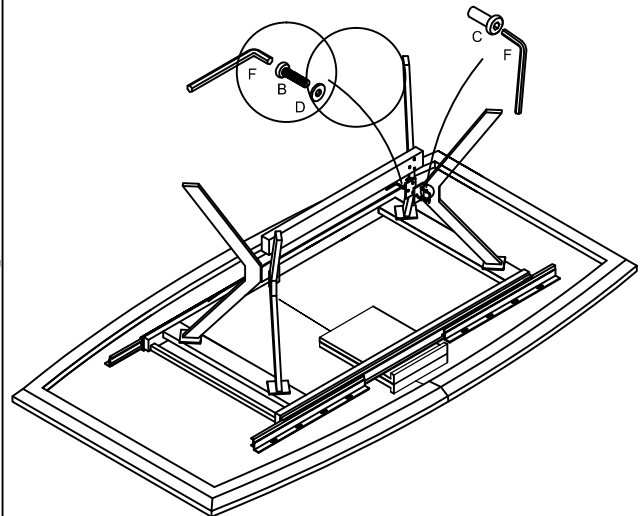
ASSEMBLY INSTRUCTION DT-895N



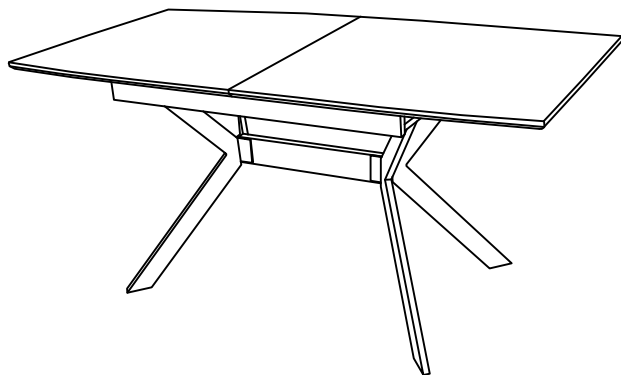
STEP 1.



STEP 2.



STEP 3.



STEP 4.

