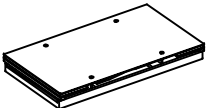

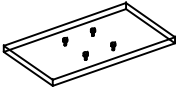





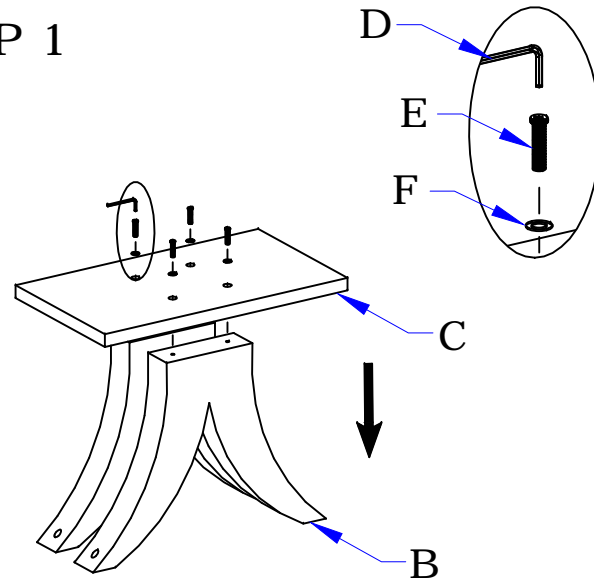
# ASSEMBLY INSTRUCTION

## MOD. NO. DT-43

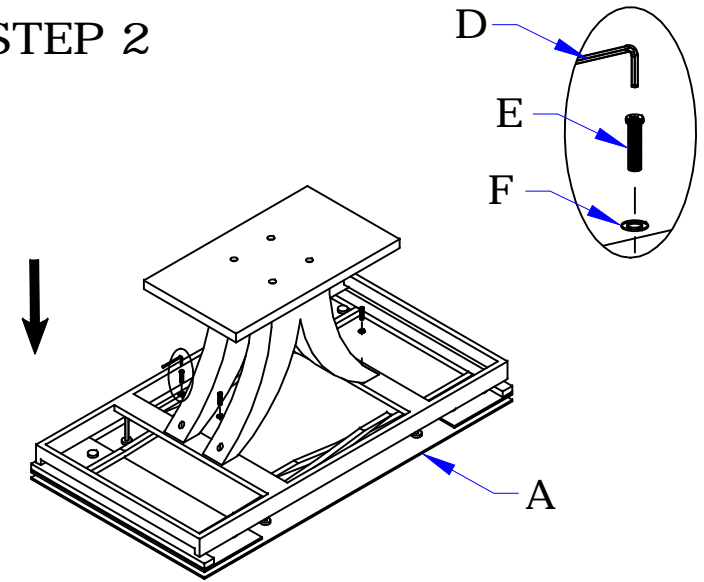
### COMPONENTS

A		1
B		2
C		1
D		1
E		8
F		8

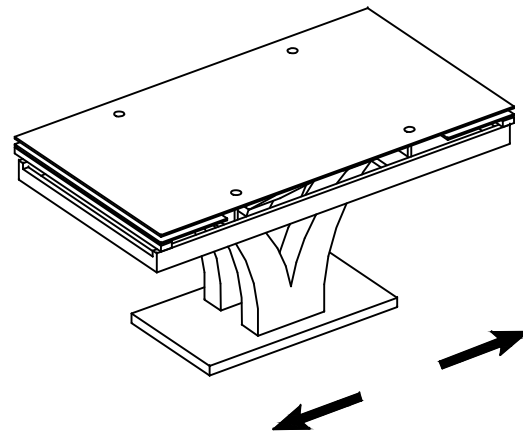
STEP 1



STEP 2



STEP 3



STEP 4

