

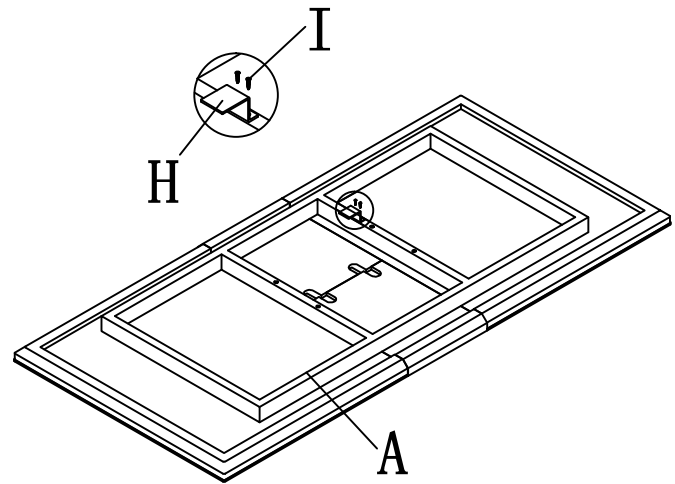
# ASSEMBLY INSTRUCTION

## MOD. NO. ET-1621-2

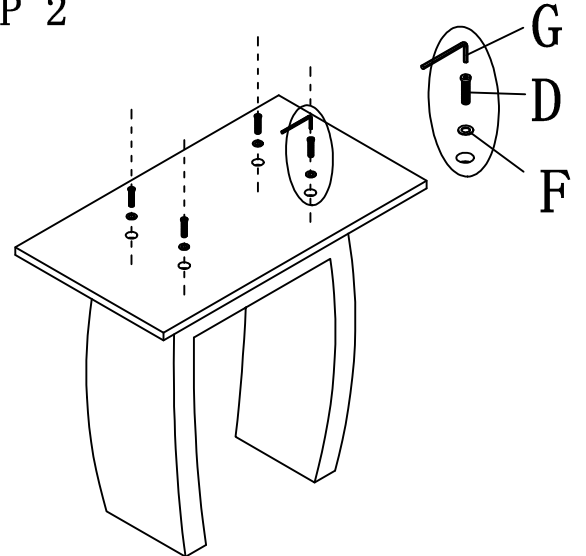
### COMPONENTS

A		1
B		1
C		1
D		4
E		4
F		4
G		1
H		1
I		2

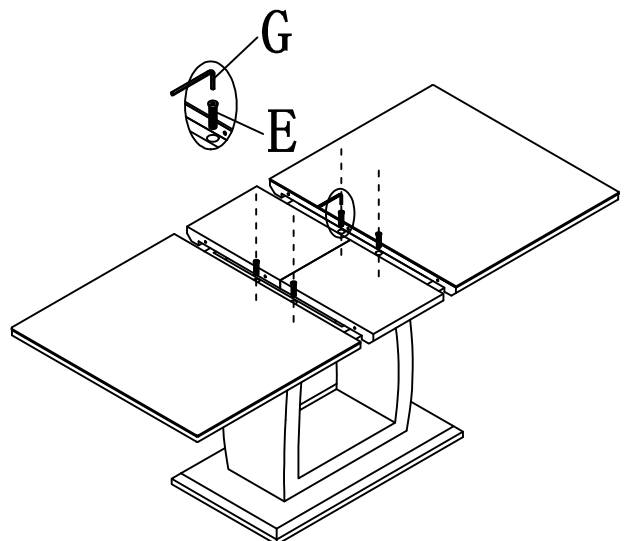
### STEP 1



### STEP 2



### STEP 3



### STEP 4

